



US00D516894S

(12) **United States Design Patent**
Singh

(10) **Patent No.:** **US D516,894 S**
(45) **Date of Patent:** **** Mar. 14, 2006**

- (54) **SCREW GUIDE**
- (75) Inventor: **Satnam Singh**, Ontario (CA)
- (73) Assignee: **Maxtech Manufacturing, Inc.**,
Waterloo (CA)
- (**) Term: **14 Years**

- 5,791,212 A 8/1998 Han
- 5,938,212 A 8/1999 Wadsworth
- 5,950,507 A 9/1999 Wolfe
- 5,975,815 A 11/1999 Zierpka et al.
- 6,148,699 A 11/2000 Han
- 6,260,445 B1 7/2001 DeVecchis
- 6,282,998 B1 9/2001 Beach
- 6,354,177 B1 3/2002 Peters
- 6,520,509 B1 2/2003 Vasudeva

- (21) Appl. No.: **29/213,538**
- (22) Filed: **Sep. 20, 2004**

Primary Examiner—Philip S. Hyder
(74) *Attorney, Agent, or Firm*—Dennis G. LaPointe

Related U.S. Application Data

- (62) Division of application No. 29/166,841, filed on Sep. 4, 2002, now Pat. No. Des. 498,403.

(30) **Foreign Application Priority Data**

Mar. 4, 2002 (CA) 98829

- (51) **LOC (8) Cl.** **08-04**
- (52) **U.S. Cl.** **D8/86**
- (58) **Field of Classification Search** D8/14,
D8/29, 82, 83, 85, 86, 87; 81/177.1, 177.2,
81/437, 438, 439, 177.6
See application file for complete search history.

(56) **References Cited**

U.S. PATENT DOCUMENTS

- 768,441 A 8/1904 Fisher
- 1,441,956 A 1/1923 Waston
- 3,361,169 A 1/1968 Charchenko
- 4,736,658 A 4/1988 Jore
- D341,763 S 11/1993 Espin
- 5,309,798 A 5/1994 Markwart et al.
- 5,309,799 A 5/1994 Jore
- 5,680,800 A 10/1997 Sharpe
- 5,697,269 A 12/1997 Tseng

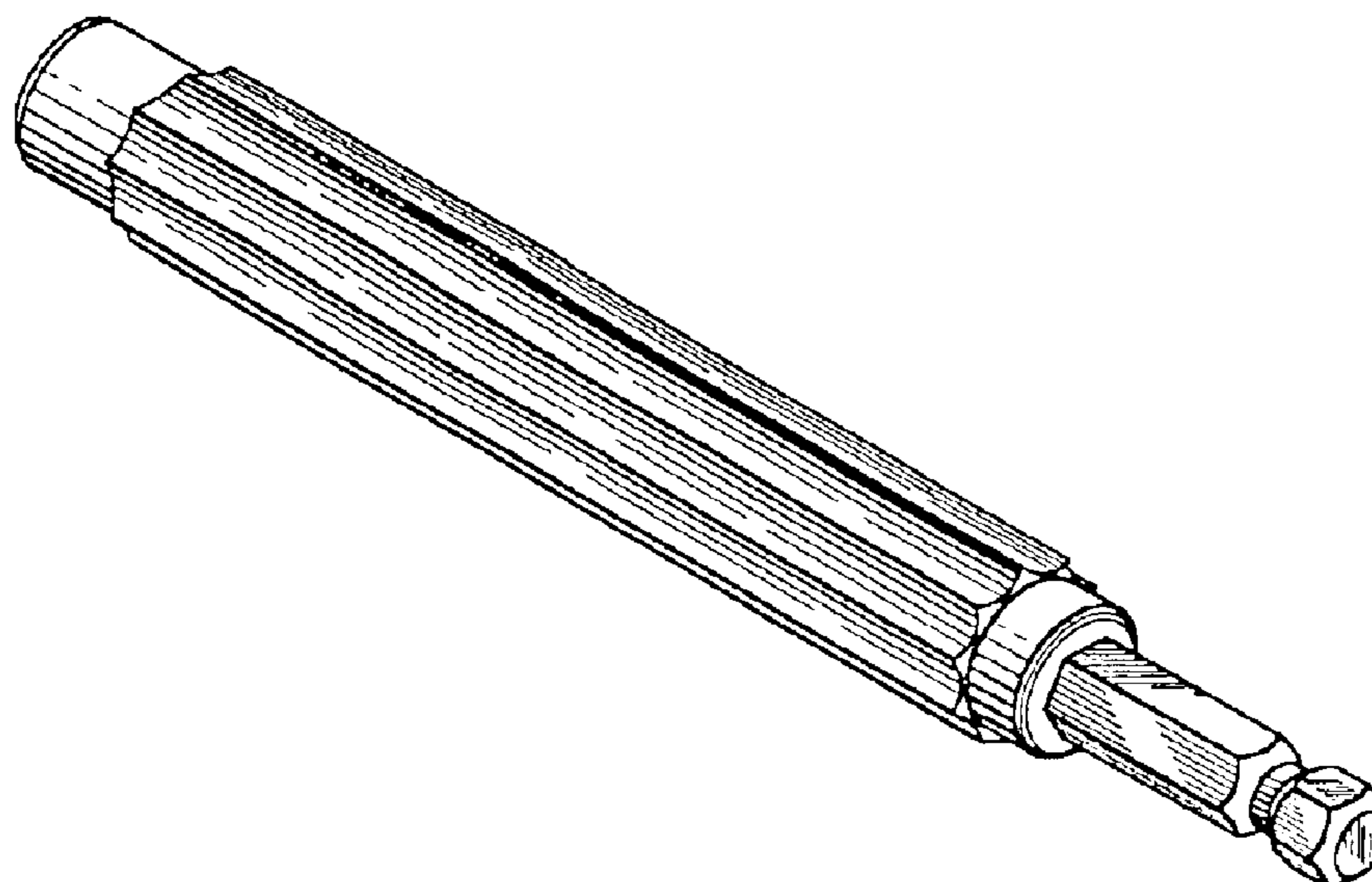
(57) **CLAIM**

I claim the ornamental design for screw guide, as shown and described.

DESCRIPTION

FIG. 1 is a front and right end perspective view of a screw guide showing my new design, with the sleeve retracted; FIG. 2 is a rear and left end perspective view thereof; FIG. 3 is a front elevational view thereof; FIG. 4 is a rear elevational view thereof; FIG. 5 is another elevational view thereof; FIG. 6 is a left end elevational view thereof; FIG. 7 is a right end elevational view thereof; FIG. 8 is a rear elevational view thereof with the sleeve extended; FIG. 9 is a front and right end perspective view of a second embodiment of the screw guide, with the sleeve retracted; FIG. 10 is a rear and left end perspective view thereof; FIG. 11 is a front elevational view thereof; FIG. 12 is a rear elevational view thereof; FIG. 13 is a left end elevational view thereof; FIG. 14 is a right end elevational view thereof; and, FIG. 15 is a rear elevational view thereof with the sleeve extended.

1 Claim, 6 Drawing Sheets



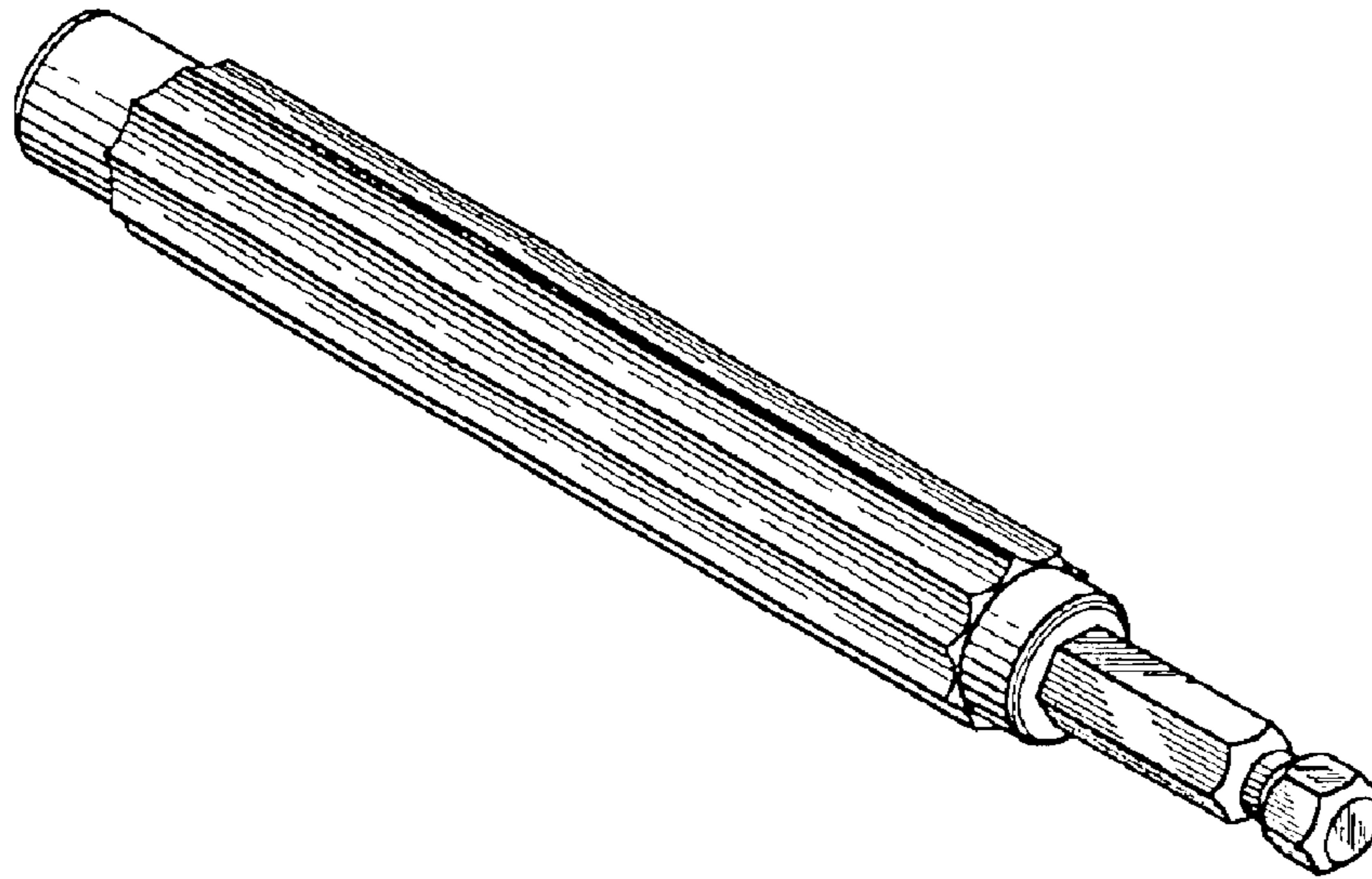


FIG.1

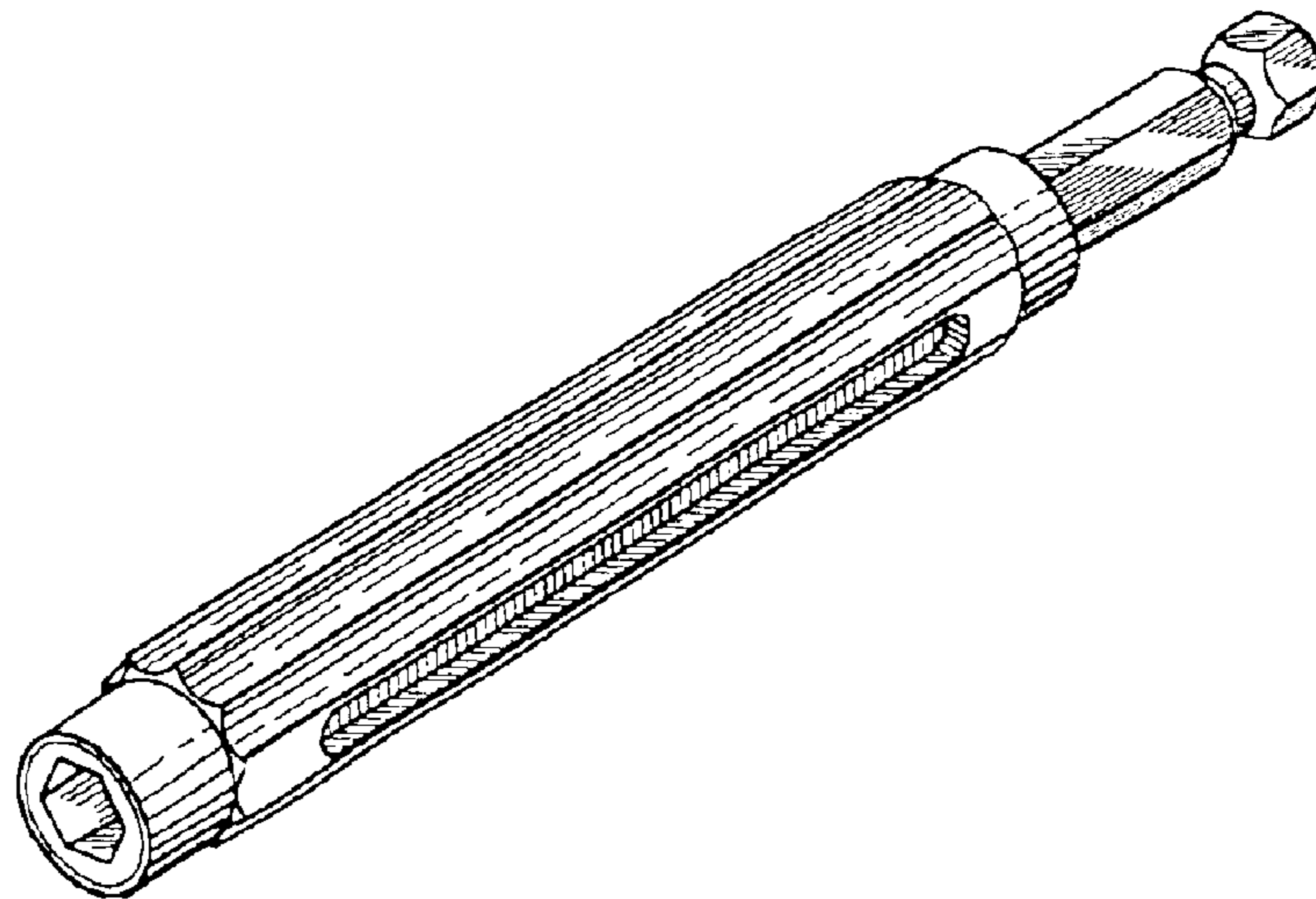


FIG.2

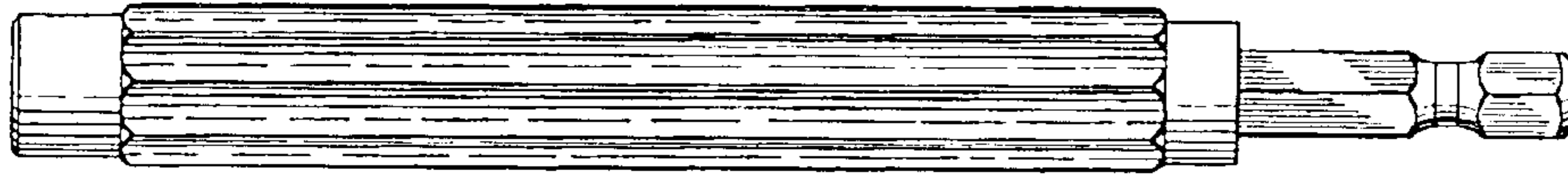


FIG.3



FIG.4

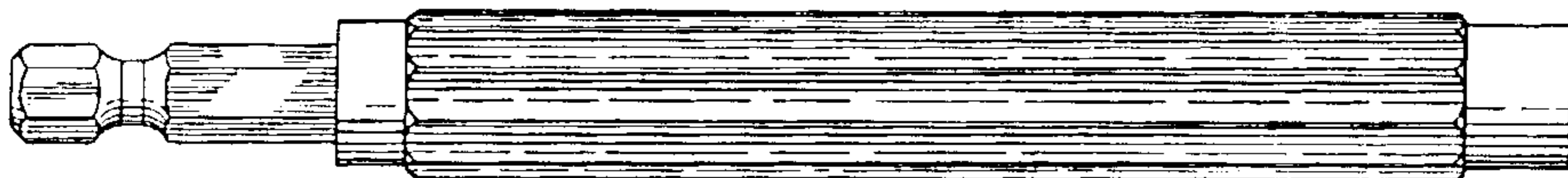


FIG.5



FIG.6



FIG.7



FIG. 8

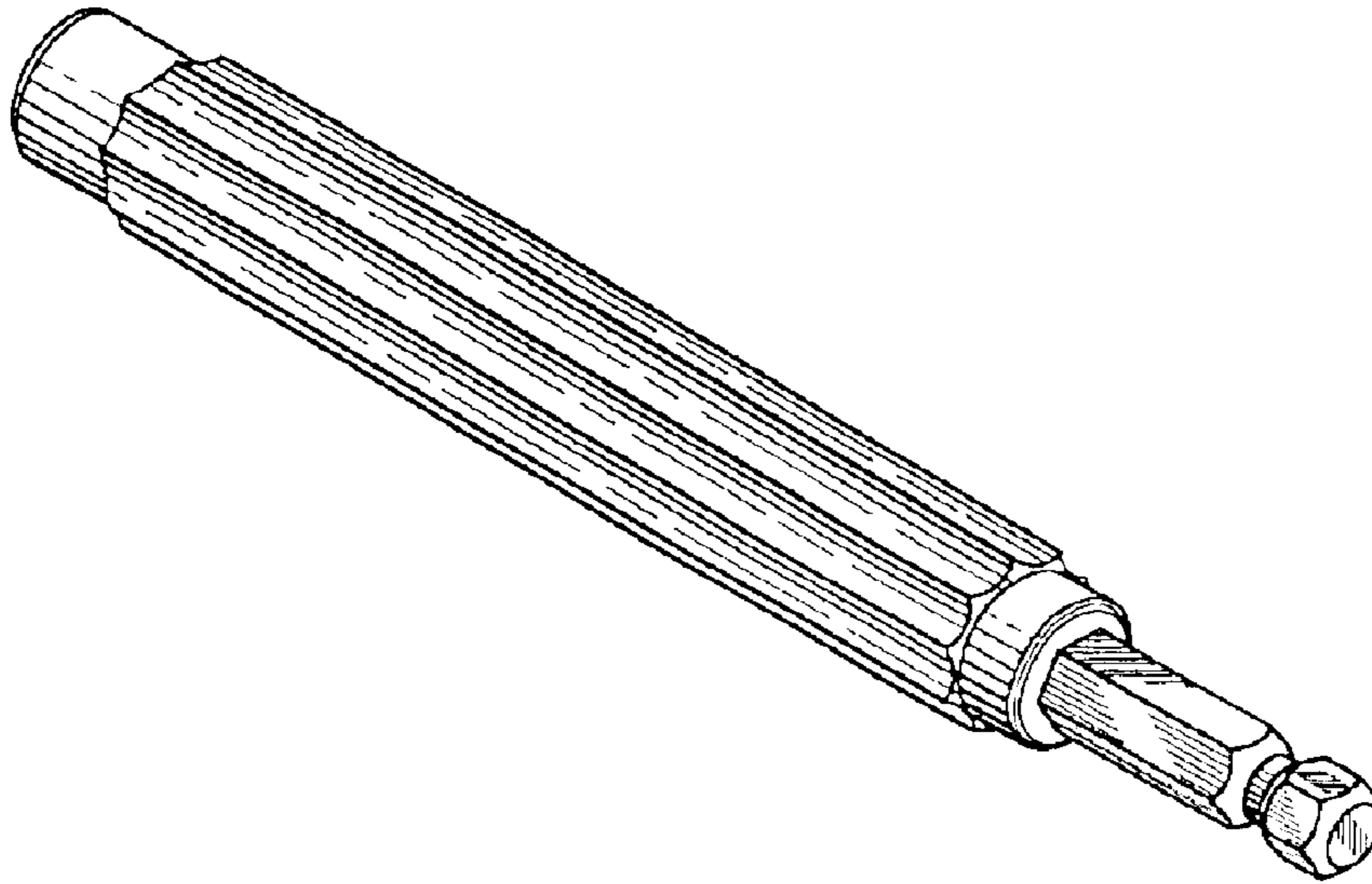


FIG. 9

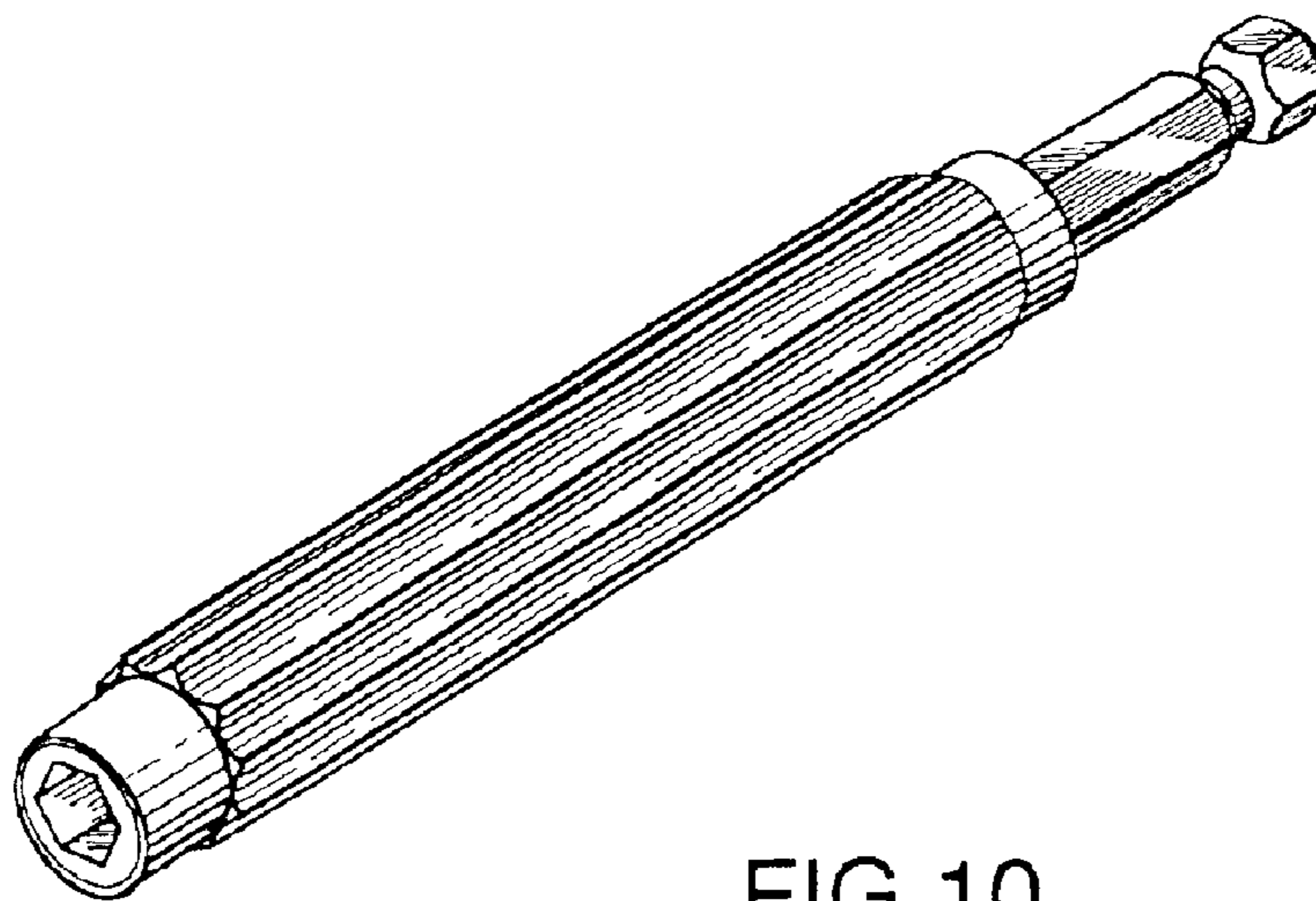


FIG. 10

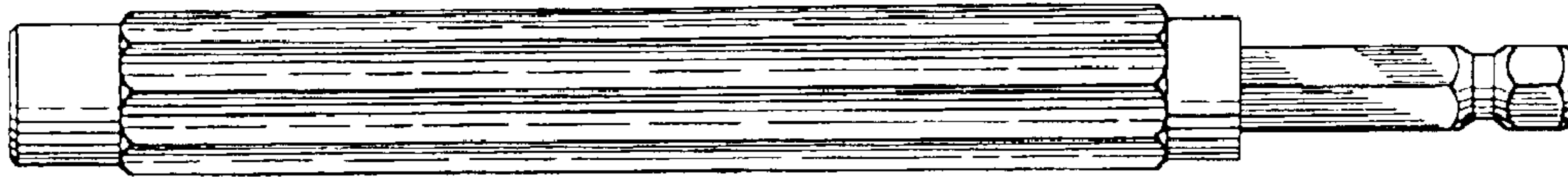


FIG. 11

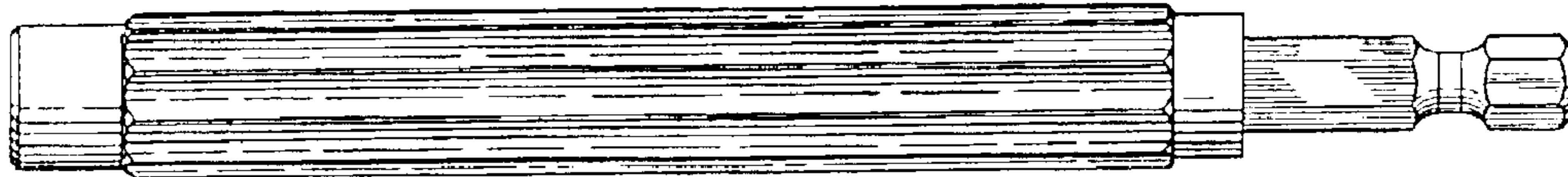


FIG. 12



FIG. 13



FIG. 14

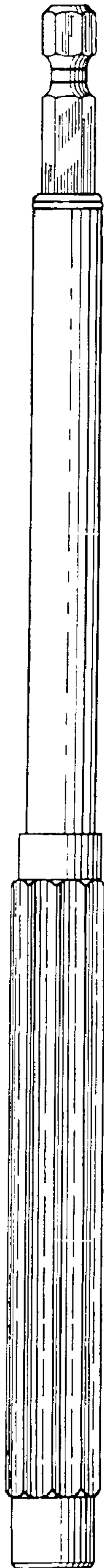


FIG.15