



US00D516891S

(12) **United States Design Patent**
Thomas

(10) **Patent No.:** **US D516,891 S**
(45) **Date of Patent:** **** Mar. 14, 2006**

(54) **DOOR LOCK SET INSTALLATION JIG**

(75) Inventor: **Rickey J. Thomas**, Lineboro, MD (US)

(73) Assignee: **Black & Decker Inc.**, Newark, DE (US)

(**) Term: **14 Years**

(21) Appl. No.: **29/222,653**

(22) Filed: **Feb. 2, 2005**

(51) **LOC (8) Cl.** **08-05**

(52) **U.S. Cl.** **D8/71; D8/70**

(58) **Field of Classification Search** D8/71,
D8/14, 70, 72, 73, 74, 349, 354, 355, 373,
D8/395; D6/553; D15/130, 132, 138, 139,
D15/140, 141; 173/132; 206/349; 211/70.1,
211/70.6; 248/127, 146, 156; 408/1 R, 97,
408/103, 108, 115 B, 115 R, 241 G

See application file for complete search history.

(56) **References Cited**

U.S. PATENT DOCUMENTS

3,302,674	A *	2/1967	Russell et al.	408/241 G
3,746,460	A *	7/1973	Lipe	D8/71
4,248,554	A *	2/1981	Boucher et al.	408/97
5,116,170	A *	5/1992	Palmer et al.	408/115 B
5,222,845	A *	6/1993	Goldstein et al.	408/103
D356,271	S *	3/1995	Adamik et al.	D10/62
D392,866	S *	3/1998	Degen et al.	D8/71
D454,479	S *	3/2002	Kolpin	D8/72
6,398,465	B1 *	6/2002	Monge	408/1 R
6,607,744	B1 *	8/2003	Ribi	424/439
D483,241	S *	12/2003	Miller et al.	D8/71
D499,002	S *	11/2004	Troxell	D8/70
6,910,837	B1 *	6/2005	Trettin et al.	408/97
2005/0129472	A1 *	6/2005	Liu et al.	408/115 R

* cited by examiner

Primary Examiner—Gary D. Watson

Assistant Examiner—T. Chase Nelson

(74) *Attorney, Agent, or Firm*—Harness, Dickey & Pierce, P.L.C.

(57) **CLAIM**

The ornamental design for a door lock set installation jig, substantially as shown and described.

DESCRIPTION

FIG. 1 is a perspective view of a door lock set installation jig in accordance with the present invention;

FIG. 2 is a top elevation view of the door lock set installation jig of FIG. 1;

FIG. 3 is a rear elevation view of the door lock set installation jig of FIG. 1;

FIG. 4 is a side elevation view of the door lock set installation jig of FIG. 1;

FIG. 5 is a side elevation view of the door lock set installation jig of FIG. 1;

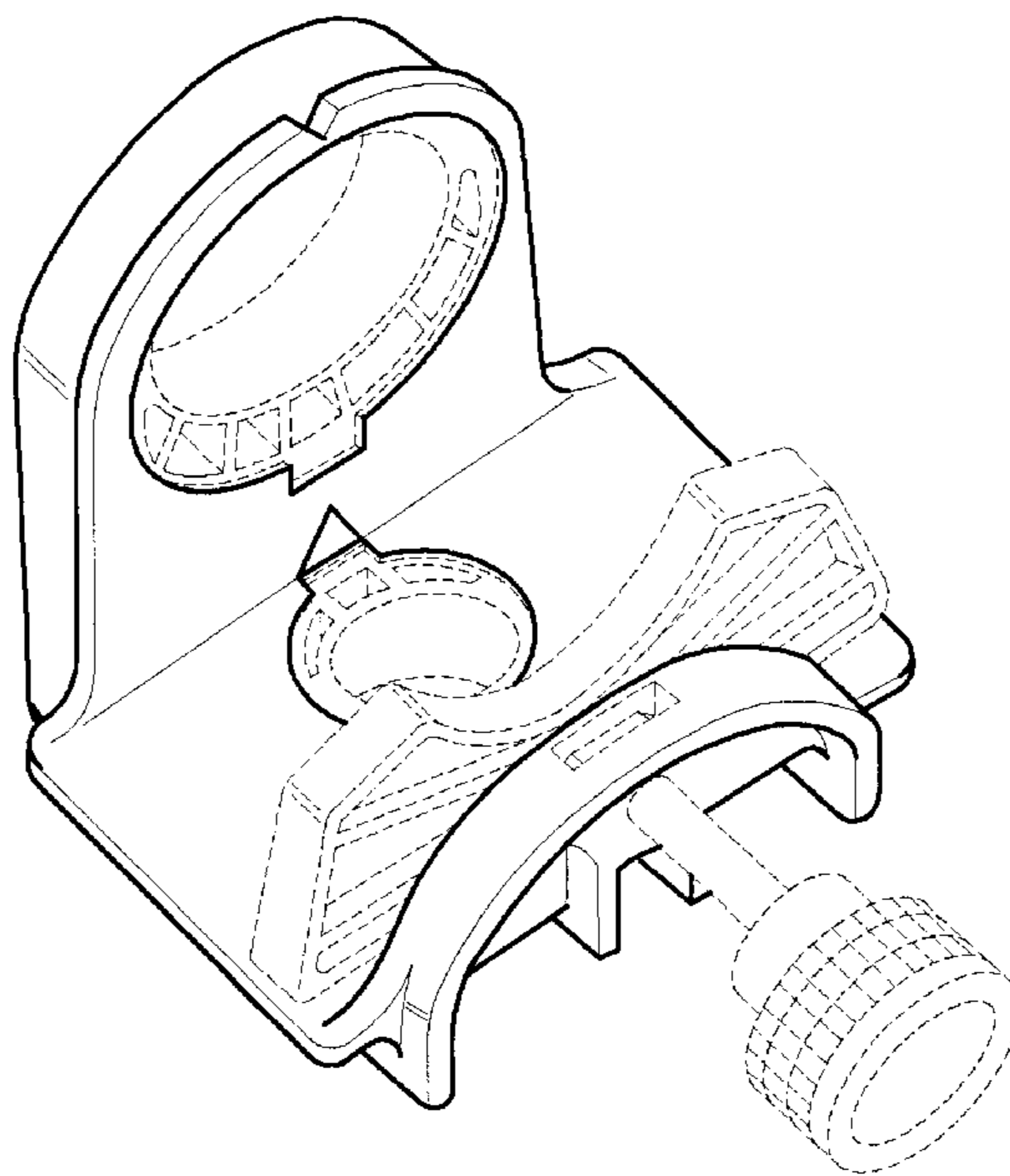
FIG. 6 is a bottom elevation view of the door lock set installation jig of FIG. 1;

FIG. 7 is a front elevation view of the door lock set installation jig of FIG. 1; and,

FIG. 8 is a front perspective view of the door lock set installation jig of FIG. 1.

The broken line showing of environmental structure and/or unclaimed portions of the design within the figure views is for illustrative purposes only and forms no part of the claimed design. It is understood that some of the unclaimed environmental structure has been removed in the FIG. 8 view for ease of illustration.

1 Claim, 4 Drawing Sheets



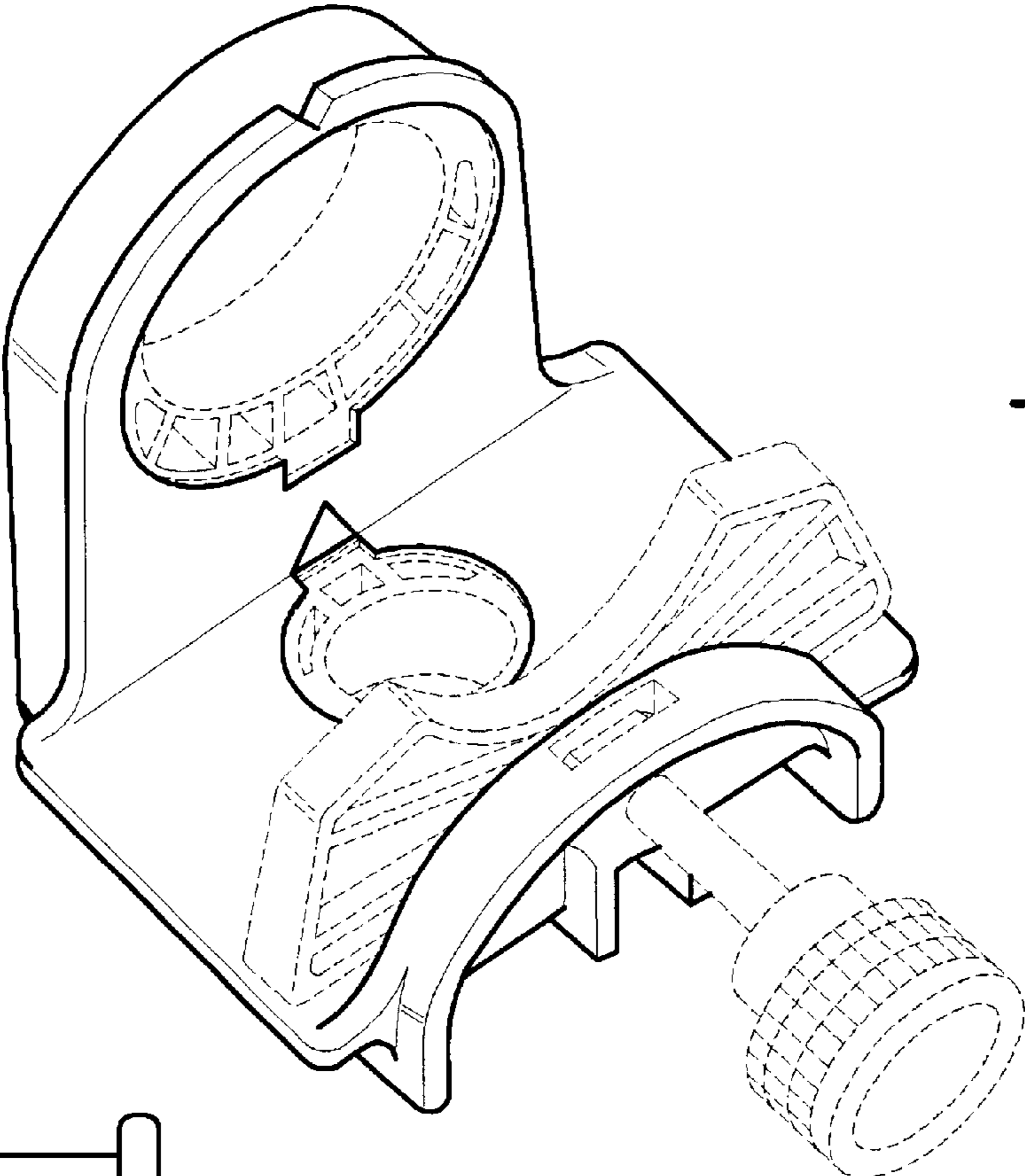


FIG - 1

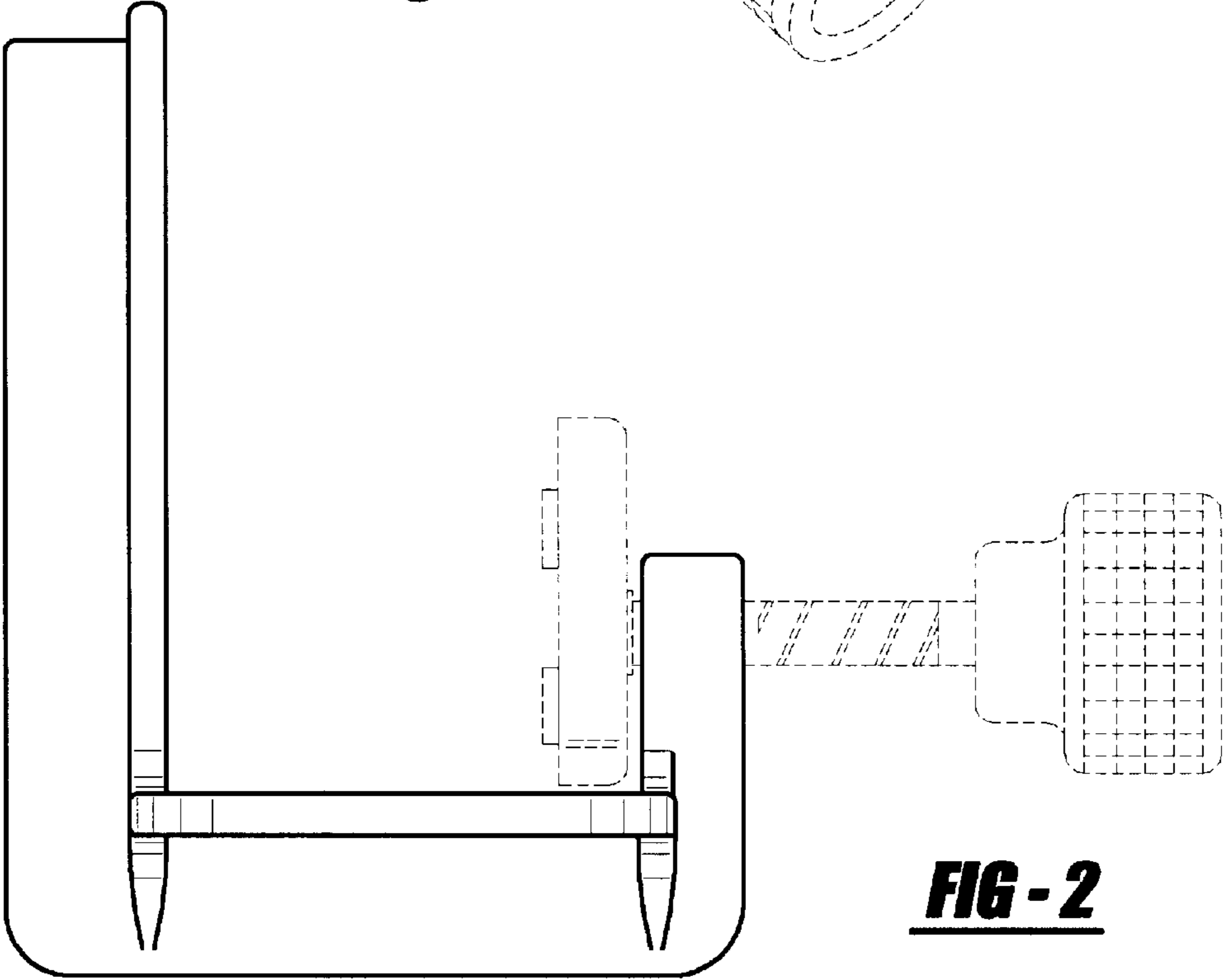


FIG - 2

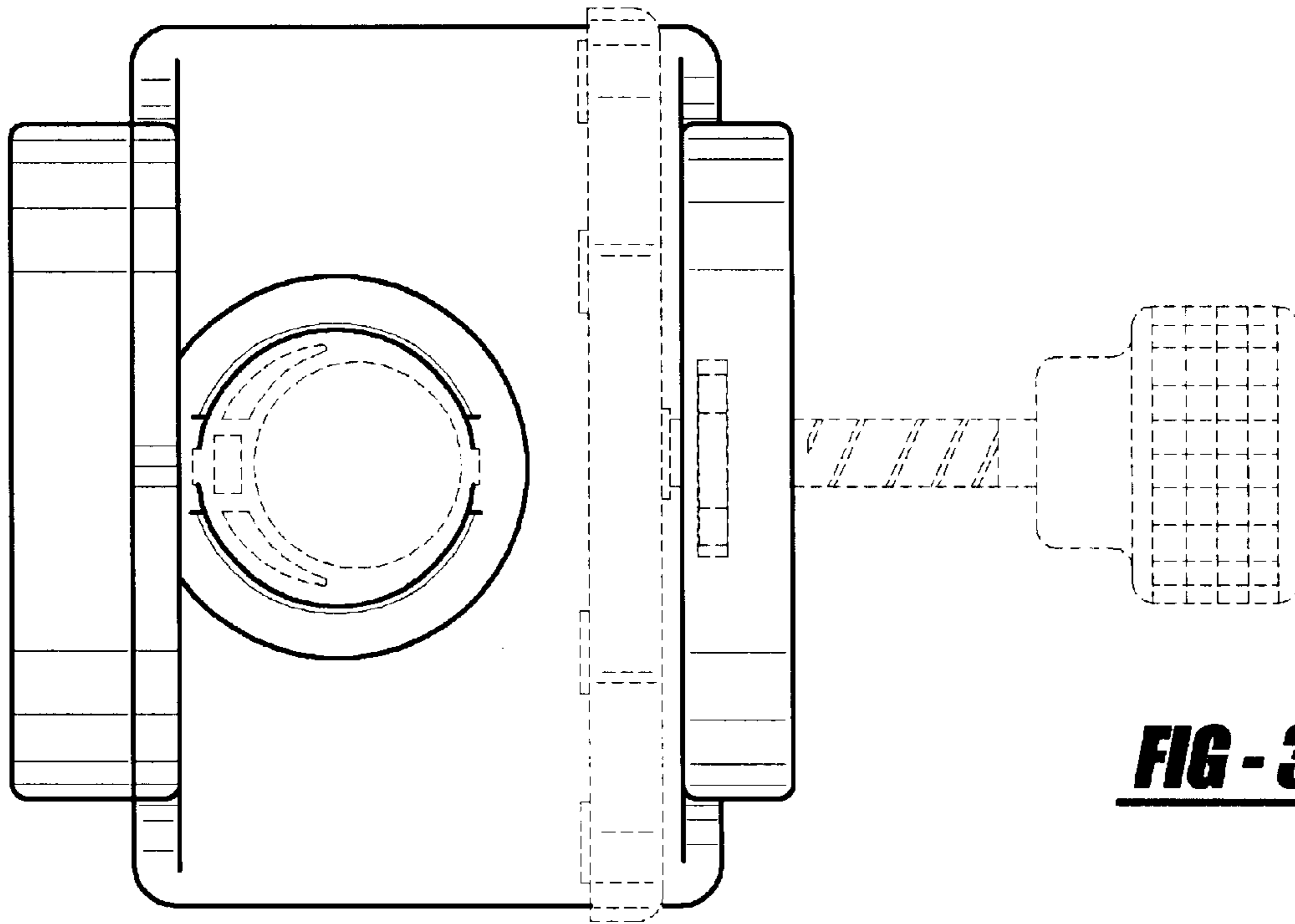
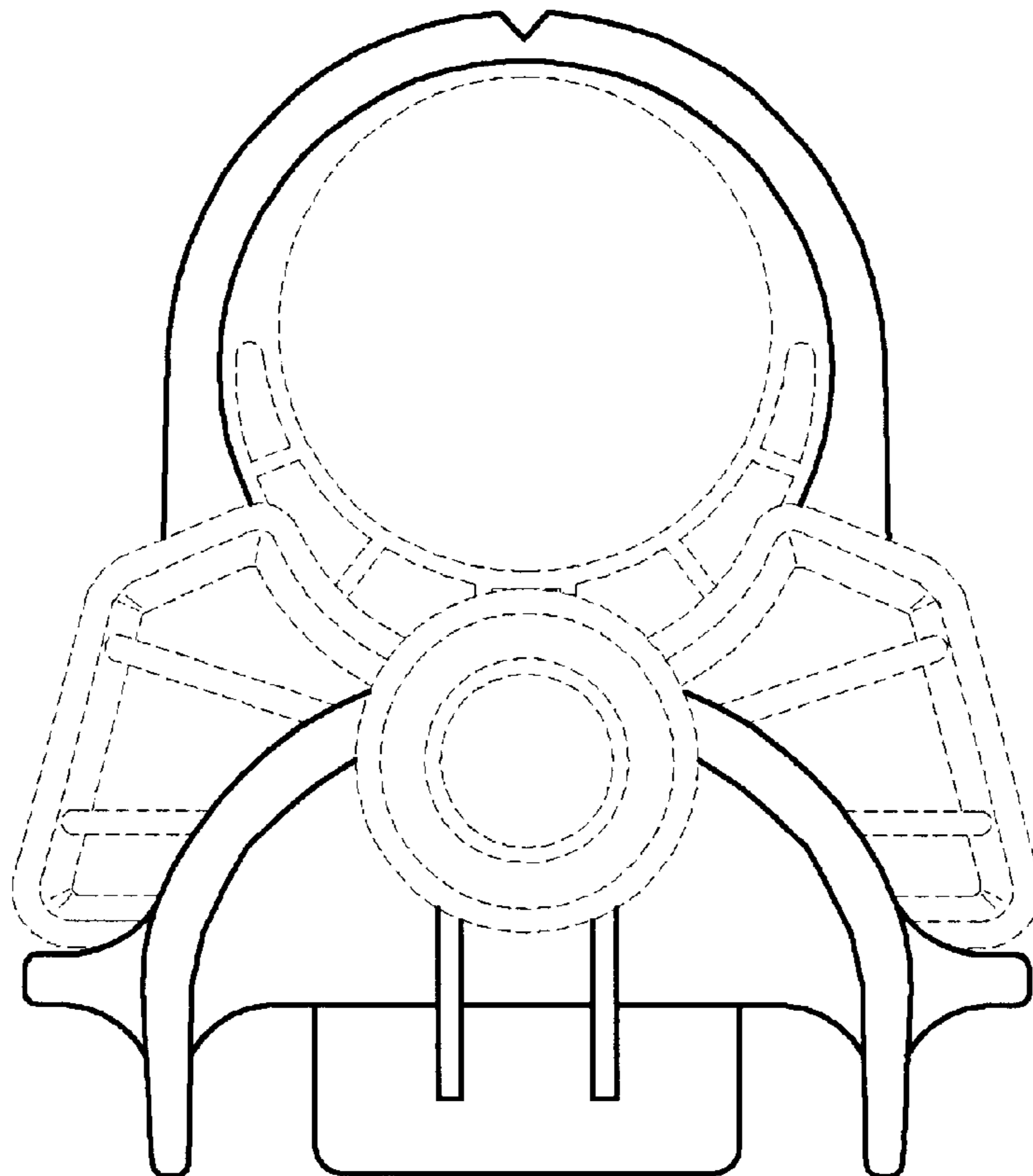


FIG - 4



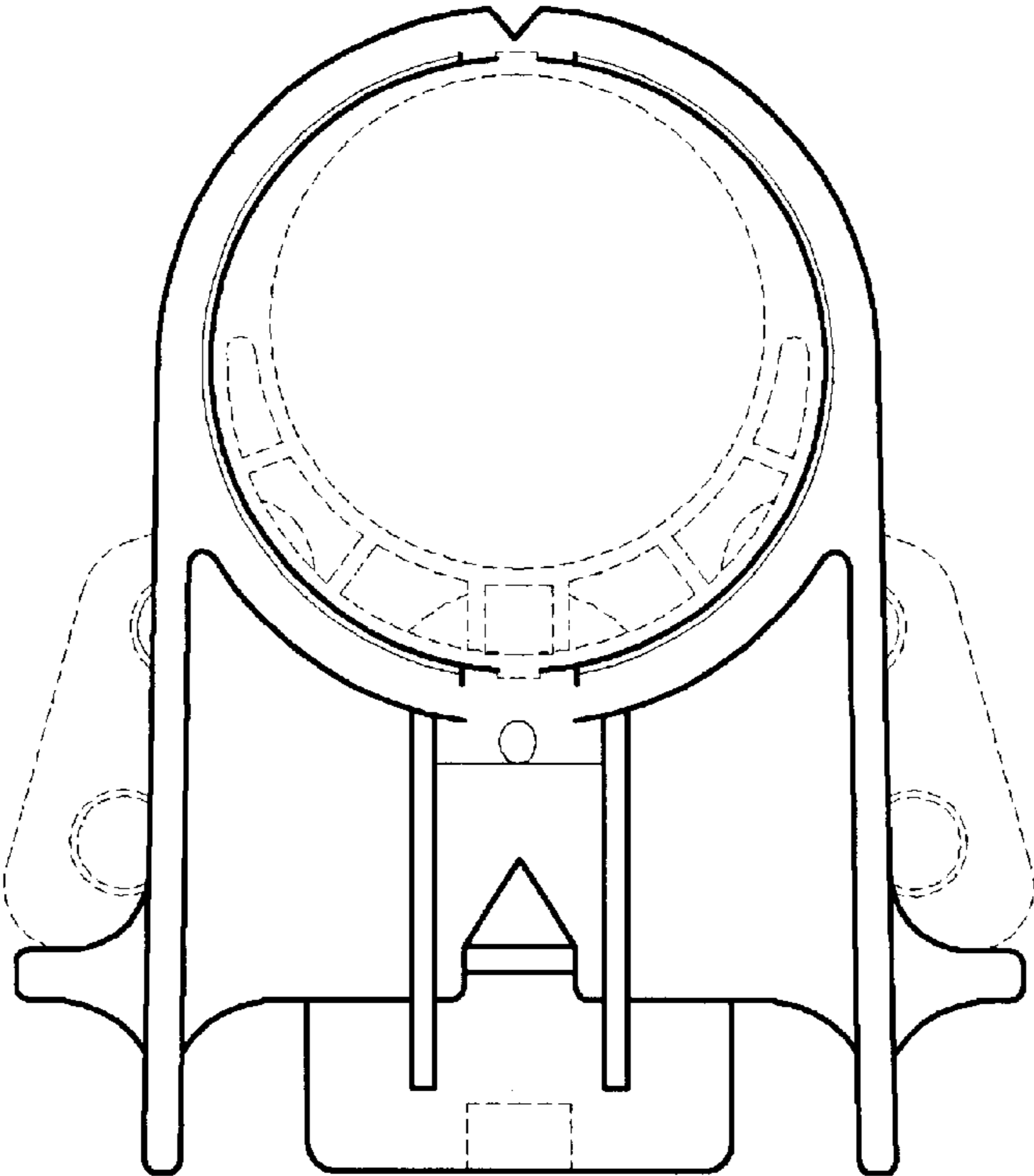


FIG - 5

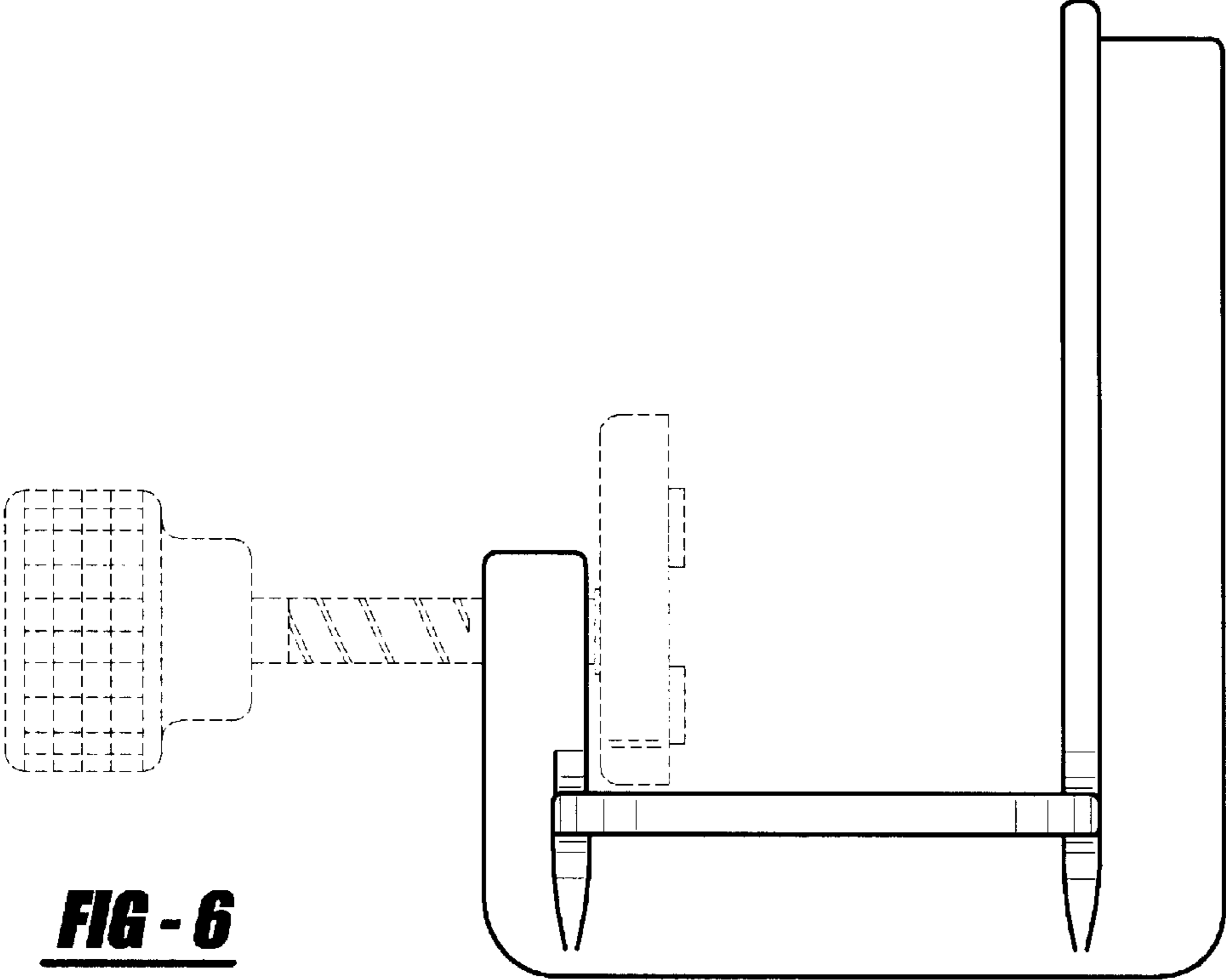


FIG - 6

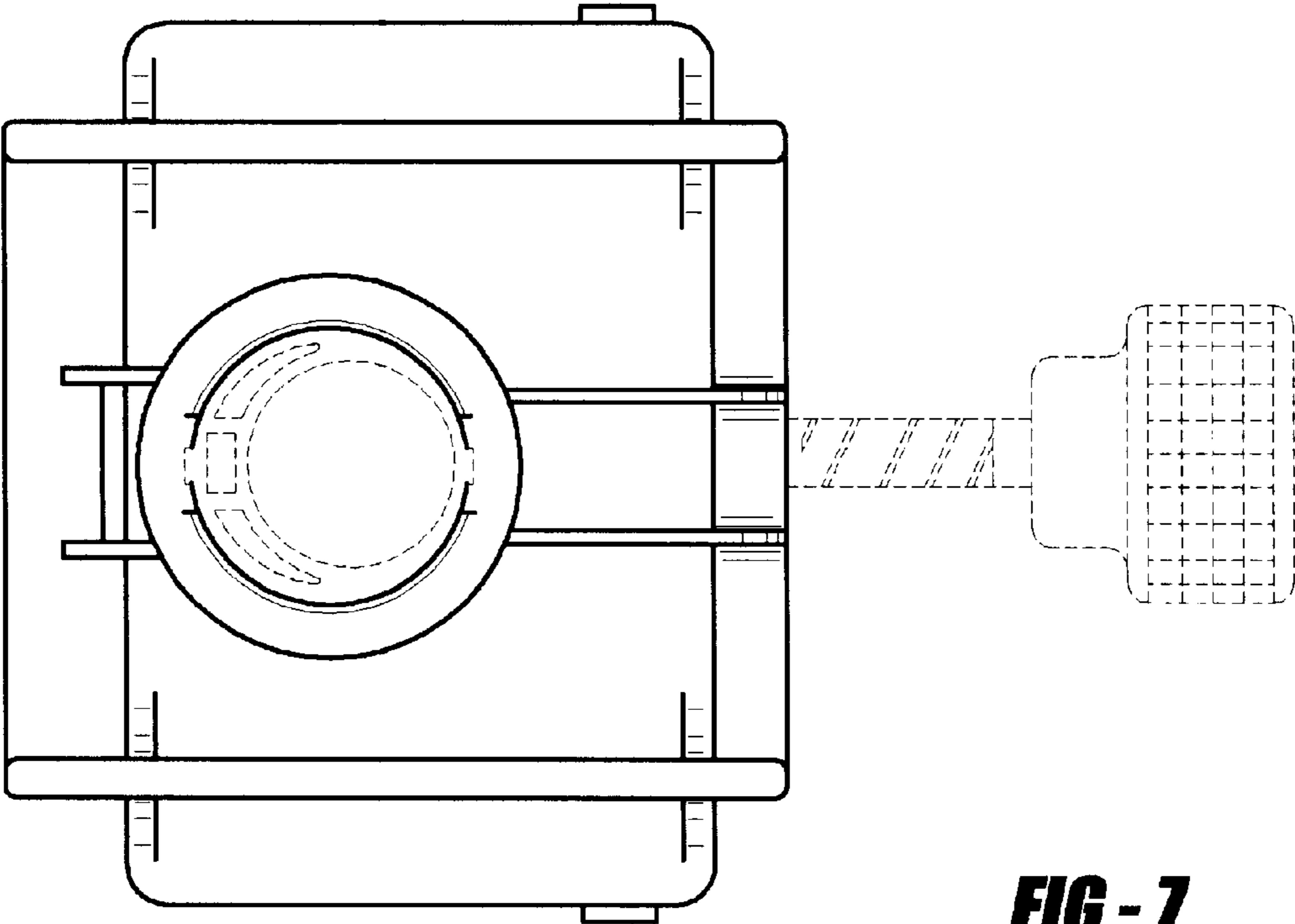


FIG - 7

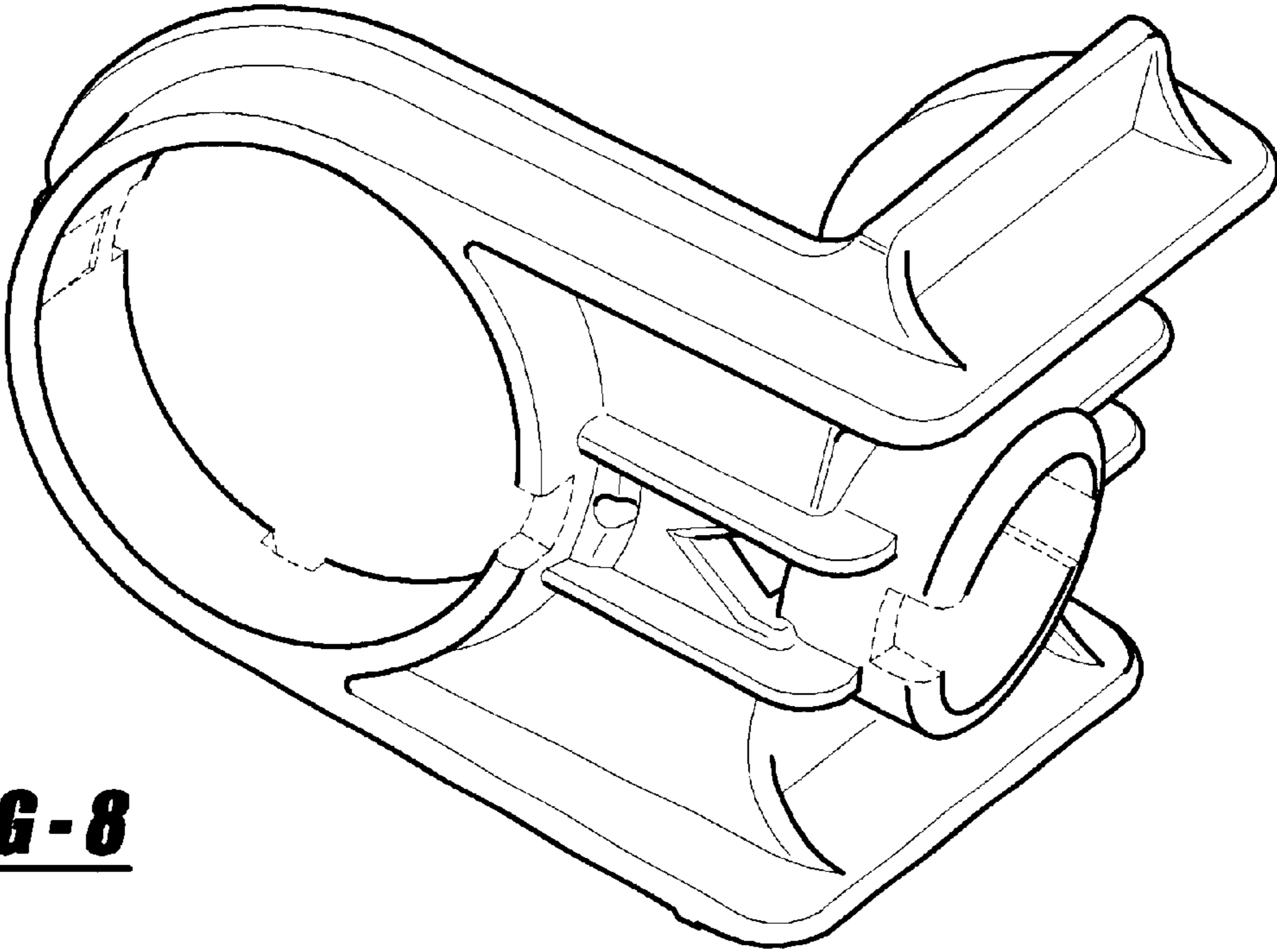


FIG - 8