



US00D516887S

(12) **United States Design Patent**
Miller

(10) **Patent No.:** **US D516,887 S**
(45) **Date of Patent:** **** Mar. 14, 2006**

(54) **NOTCH TROWEL**

(75) Inventor: **Jon Miller**, Fullerton, CA (US)

(73) Assignee: **Custom Building Products**, Seal Beach, CA (US)

(**) Term: **14 Years**

(21) Appl. No.: **29/222,319**

(22) Filed: **Jan. 27, 2005**

(51) **LOC (8) Cl.** **08-05**

(52) **U.S. Cl.** **D8/45**

(58) **Field of Classification Search** D8/45;
15/235.4, 236.08, 236.06

See application file for complete search history.

(56) **References Cited**

U.S. PATENT DOCUMENTS

D216,668 S	*	3/1970	Tims, Jr.	D8/45
5,231,729 A	*	8/1993	Rose	15/235.4
5,479,675 A	*	1/1996	Pytlewski	15/235.4
6,178,586 B1		1/2001	Jafarmadar	
6,205,610 B1		3/2001	Westthorp	

FOREIGN PATENT DOCUMENTS

GB 2 259 938 A 3/1993

* cited by examiner

Primary Examiner—Holly H. Baynham

(74) *Attorney, Agent, or Firm*—Fulwider Patton LLP

(57) **CLAIM**

The ornamental design for a notch trowel, as shown and described.

DESCRIPTION

FIG. 1 is a front perspective view of a notch trowel showing my new design.

FIG. 2 is a top plan view thereof.

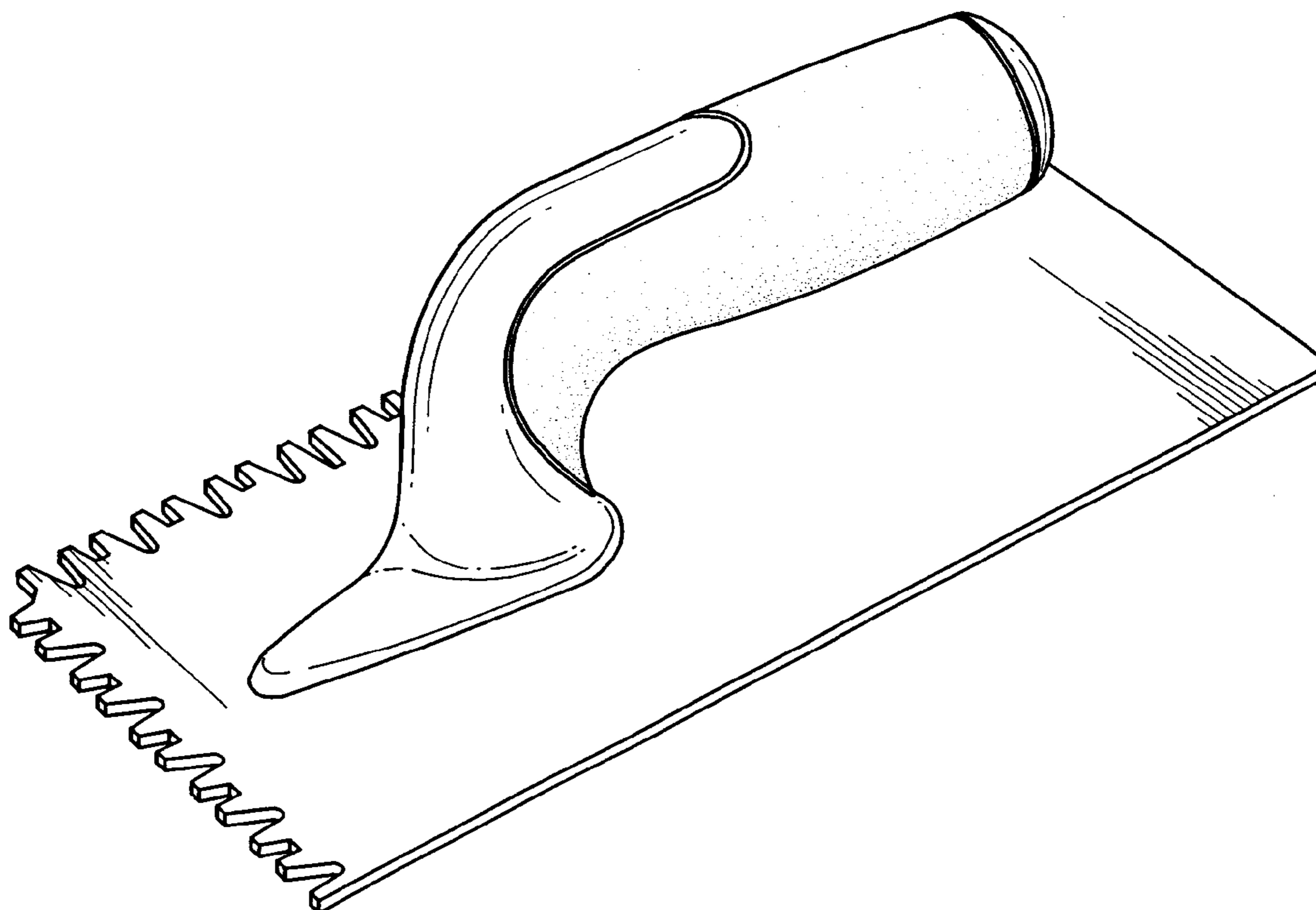
FIG. 3 is a right side elevational view thereof, of which the left side elevational view is substantially a mirror image.

FIG. 4 is a front view thereof; and,

FIG. 5 is a rear view thereof.

Applicant disclaims the features of the bottom surface of the notch trowel as part of the claimed design.

1 Claim, 3 Drawing Sheets



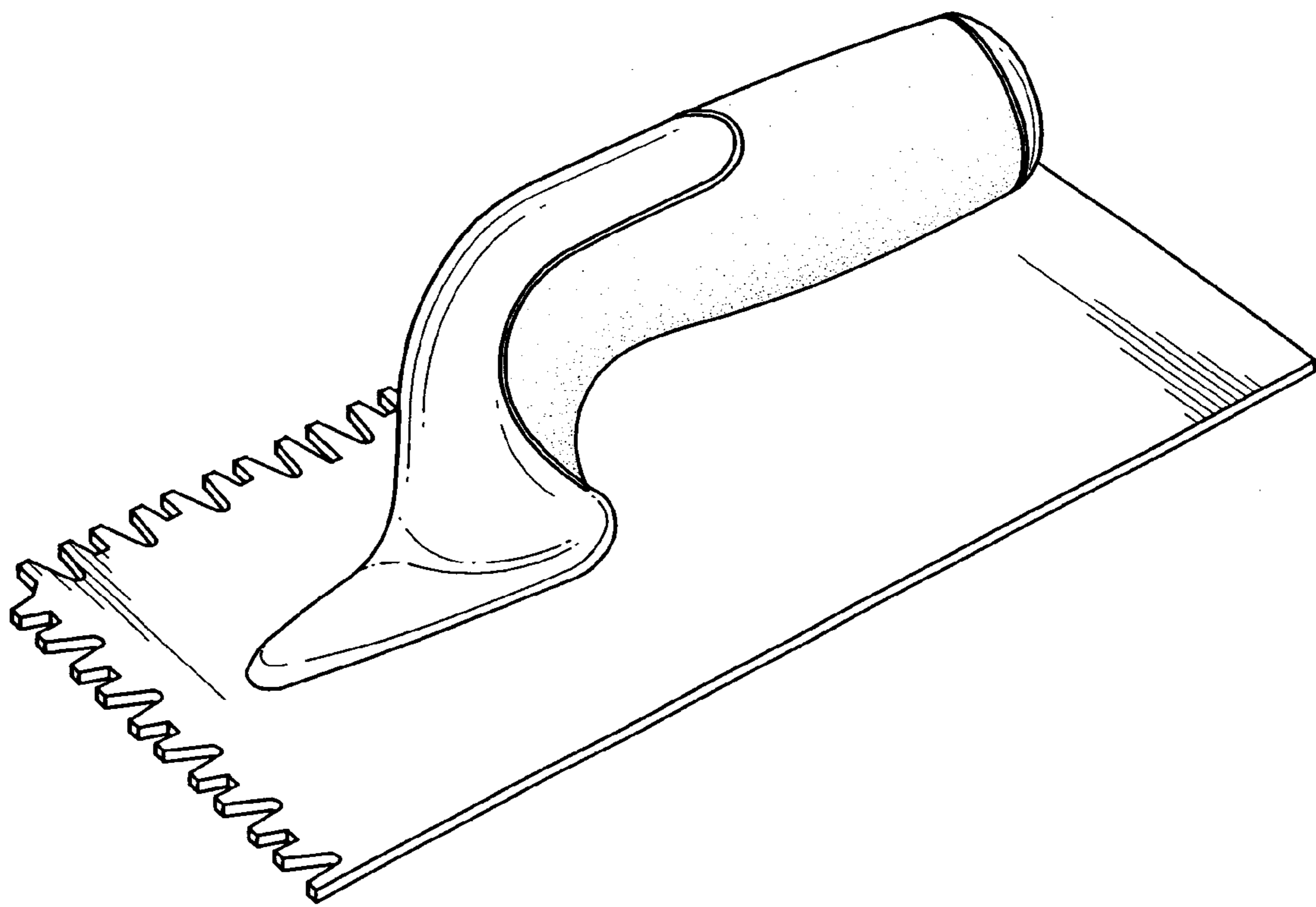


FIG. 1

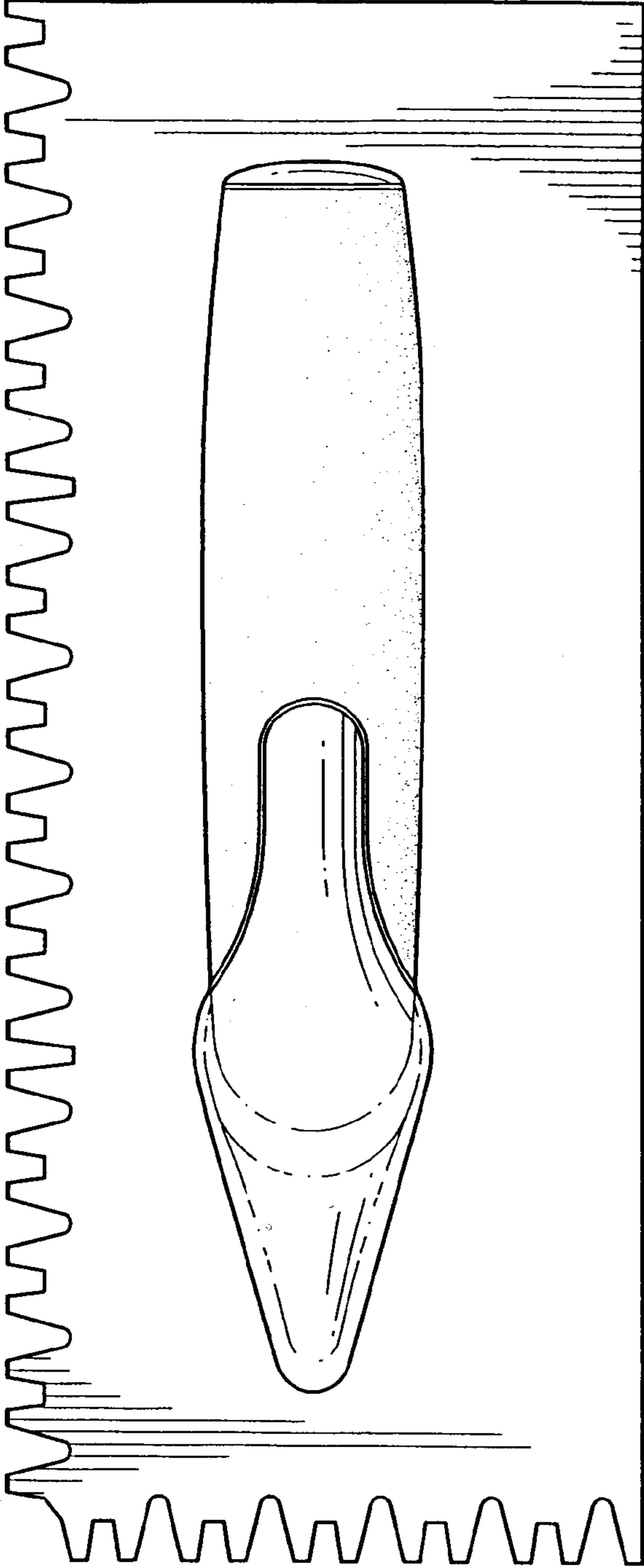


FIG. 2

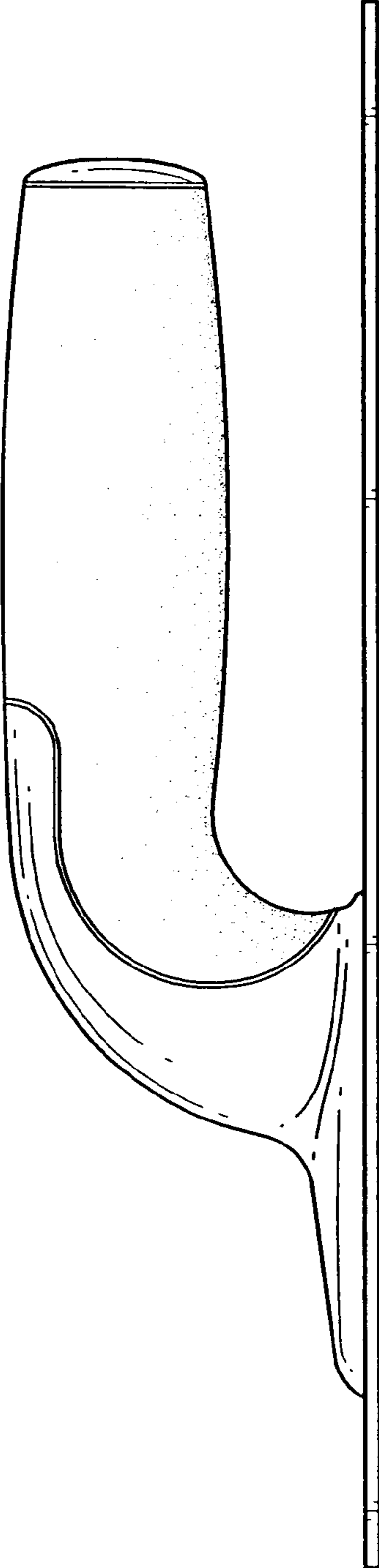


FIG. 3

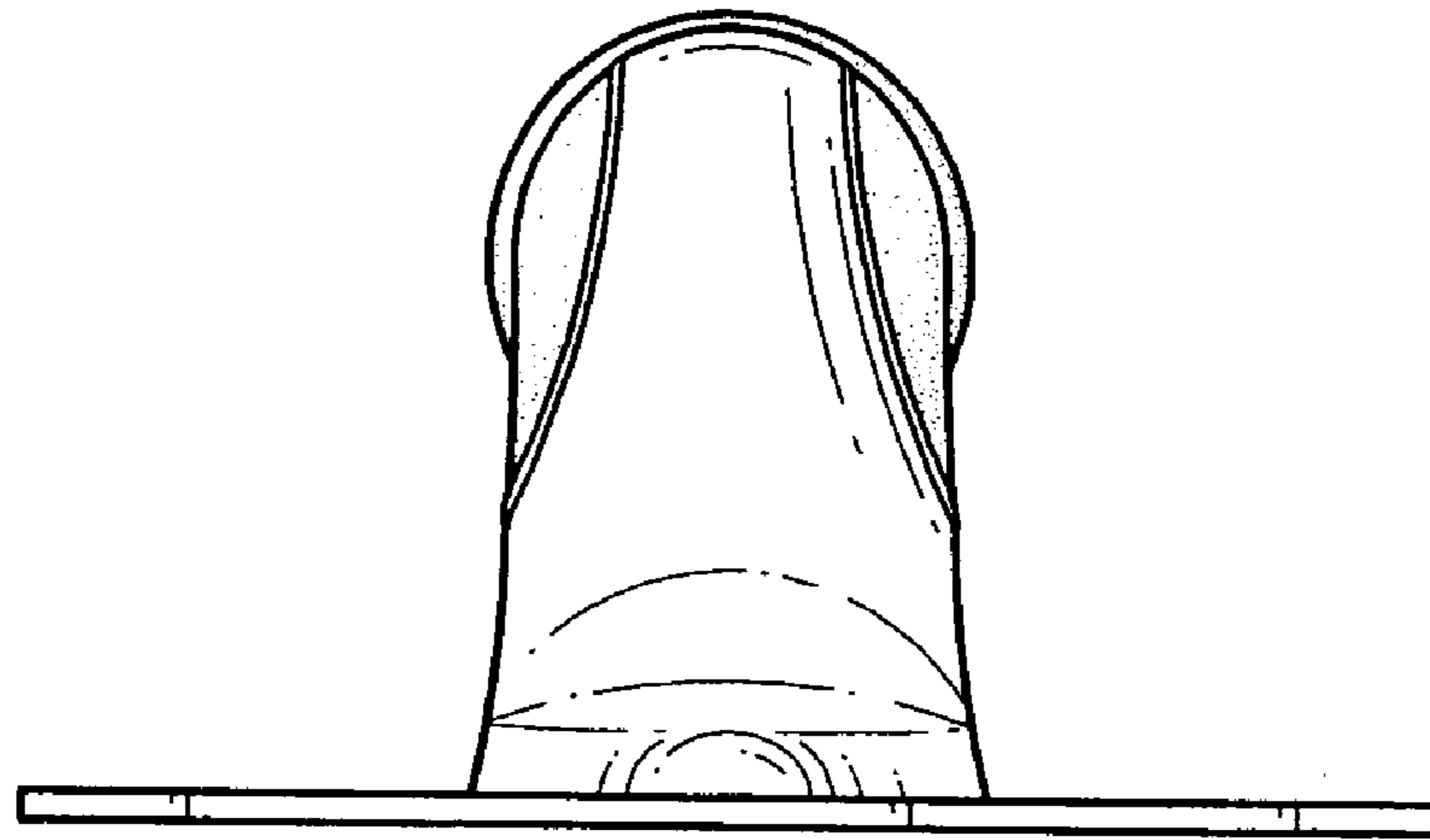


FIG. 4

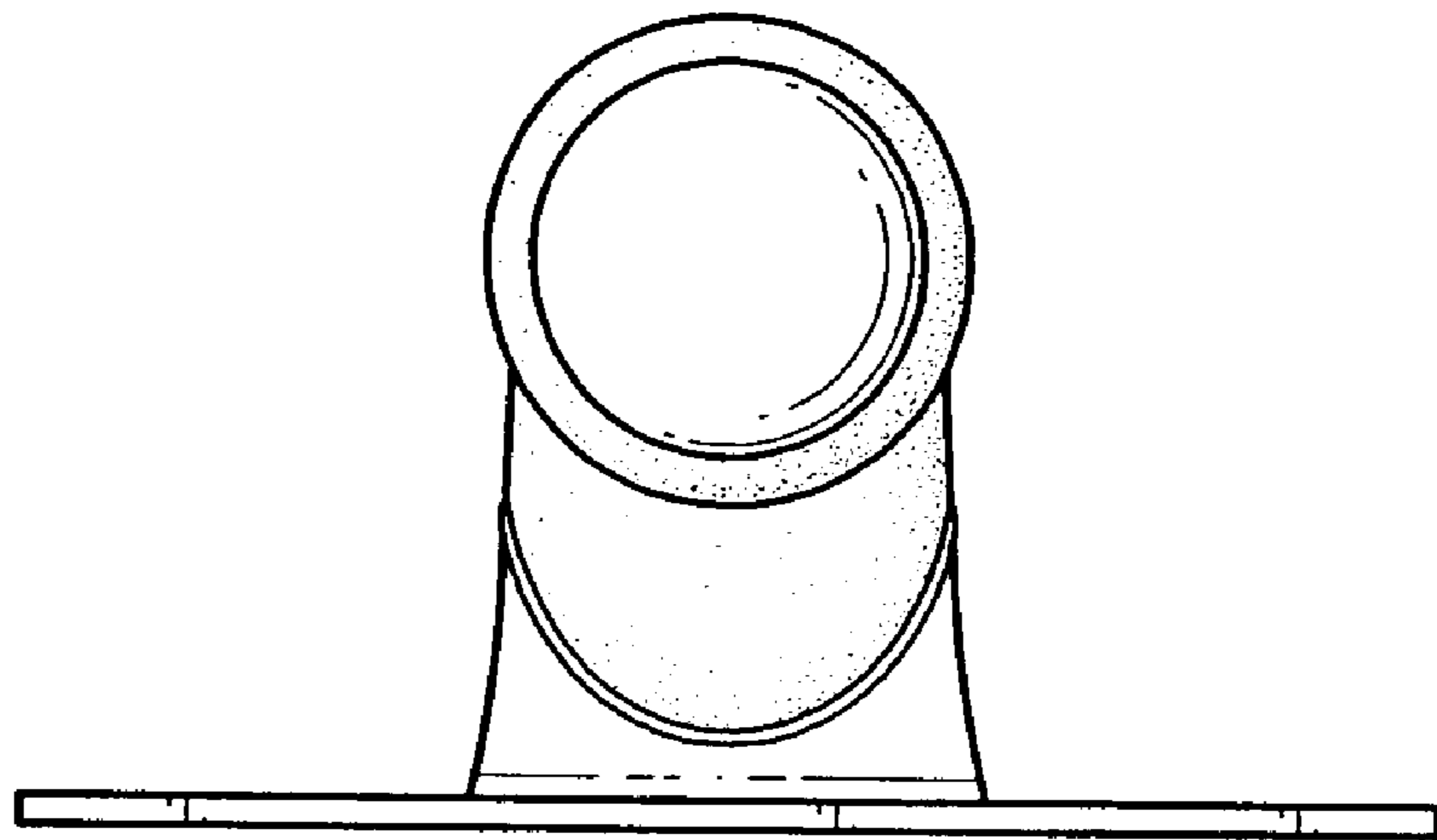


FIG. 5