

US00D516886S

(12) **United States Design Patent**
Kelleghan

(10) **Patent No.:** **US D516,886 S**
(45) **Date of Patent:** **** Mar. 14, 2006**

(54) **DEER HEAD SHAPED BOTTLE OPENER**

(75) Inventor: **Brian James Kelleghan**, Longmont,
CO (US)

(73) Assignee: **Bison Designs, L.L.C.**, Longmont, CO
(US)

(**) Term: **14 Years**

D356,012 S	3/1995	Lombardi	
D356,237 S	* 3/1995	White	D8/34
D384,255 S	* 9/1997	Beckner	D8/16
6,032,553 A	* 3/2000	Brucart Puig et al.	7/156
D452,204 S	* 12/2001	Wrob	D11/158
D466,768 S	* 12/2002	Kelleghan	D8/38
D466,769 S	* 12/2002	Kelleghan	D8/38
D476,540 S	* 7/2003	Kelleghan	D8/38
D488,972 S	* 4/2004	Kelleghan	D8/38

(21) Appl. No.: **29/215,831**

(22) Filed: **Oct. 26, 2004**

(51) **LOC (8) Cl.** **07-99**

(52) **U.S. Cl.** **D8/38**

(58) **Field of Classification Search** D8/16-19,
D8/33-35, 38, 40, 41, 43, 48, 88, 89, 305;
D7/393, 654, 656; D11/14, 30, 31, 44, 48,
D11/49, 79-81, 82, 95, 99, 100, 127, 133,
D11/134, 157, 158, 162, 204, 205, 211, 217,
D11/219, 223, 224, 232, 233, 238, 239, 614;
D21/386, 576; D27/148, 149; D1/106, 107,
D1/126; D19/96, 97; D3/211; 7/122, 151,
7/152, 156, 166; 30/400, 409, 412, 414, 429,
30/443; 81/3.07, 3.09, 3.29, 3.36, 3.41, 3.47,
81/3.48, 3.55, 3.57, 20

See application file for complete search history.

(56) **References Cited**

U.S. PATENT DOCUMENTS

1,582,442 A	* 4/1926	White	81/3.57
1,931,715 A	* 10/1933	Baldrige	81/3.57
2,018,083 A	* 10/1935	Murdock	81/3.57
D101,383 S	* 9/1936	Menger	D11/158
D196,251 S	* 9/1963	Piel	D8/41
D279,967 S	8/1985	Carbajales Santa-Eulalia et al.	

OTHER PUBLICATIONS

<http://www.nicetoy.com/chbshoehornbottleopenersorkscrews.html> Nice Toys.com website, Shoe horns and bottle openers, "Bottle Opener-Stag".

* cited by examiner

Primary Examiner—Caron D. Veynar

Assistant Examiner—Garth Rademaker

(74) *Attorney, Agent, or Firm*—Margaret Polson; Patent Law Offices of Rick Martin, P.C.

(57) **CLAIM**

The ornamental design for a deer head shaped bottle opener, as shown.

DESCRIPTION

FIG. 1 is a top plan view of my new design for a deer head shaped bottle opener.

FIG. 2 is a bottom plan view of FIG. 1.

FIG. 3 is a right side elevation view of FIG. 1.

FIG. 4 is a left side elevation view of FIG. 1.

FIG. 5 is a front side elevation view of FIG. 1.

FIG. 6 is a back side elevation view of FIG. 1; and,

FIG. 7 is a top perspective view of FIG. 1.

1 Claim, 1 Drawing Sheet

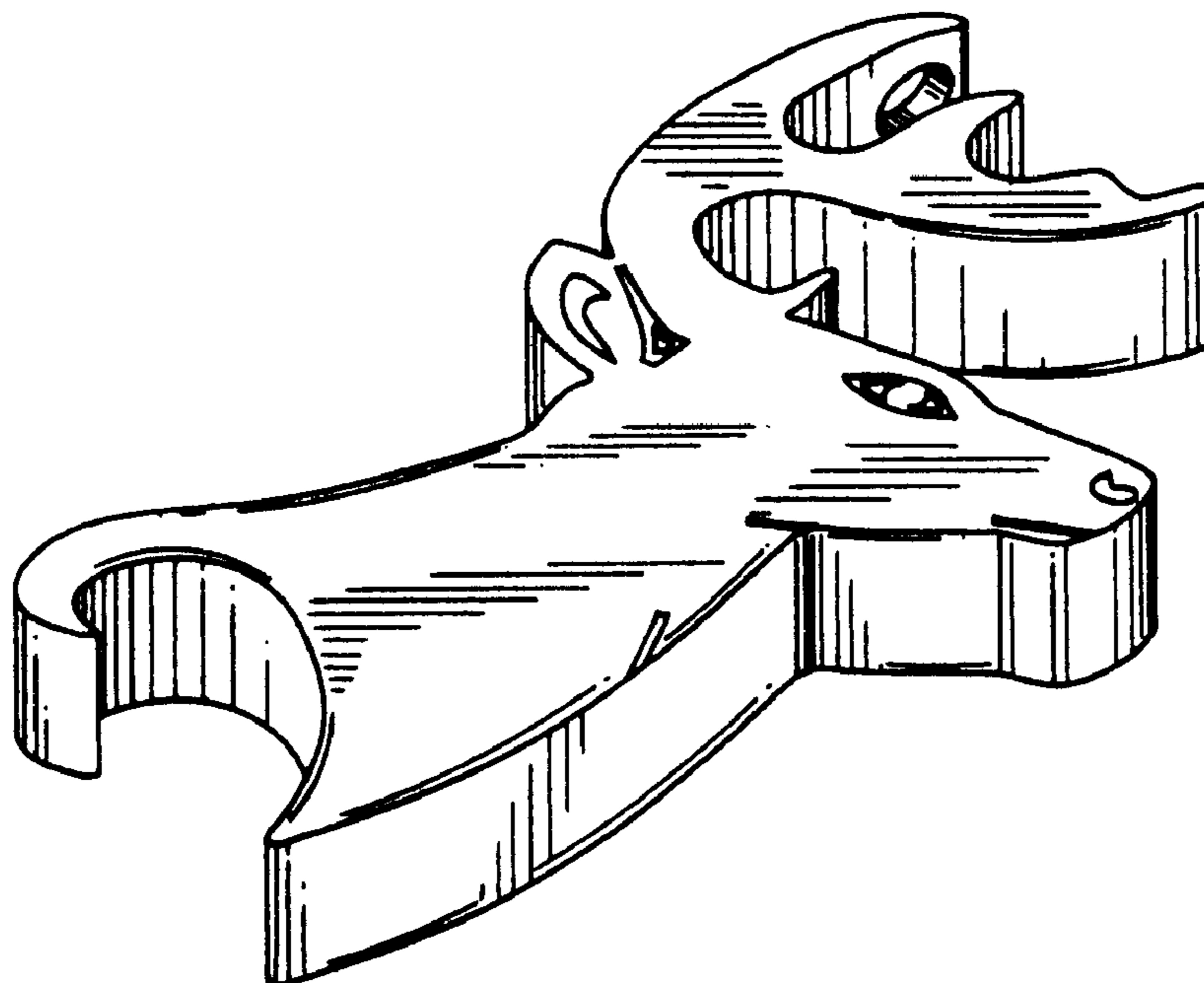




FIG. 5



FIG. 2



FIG. 3



FIG. 1



FIG. 4



FIG. 6

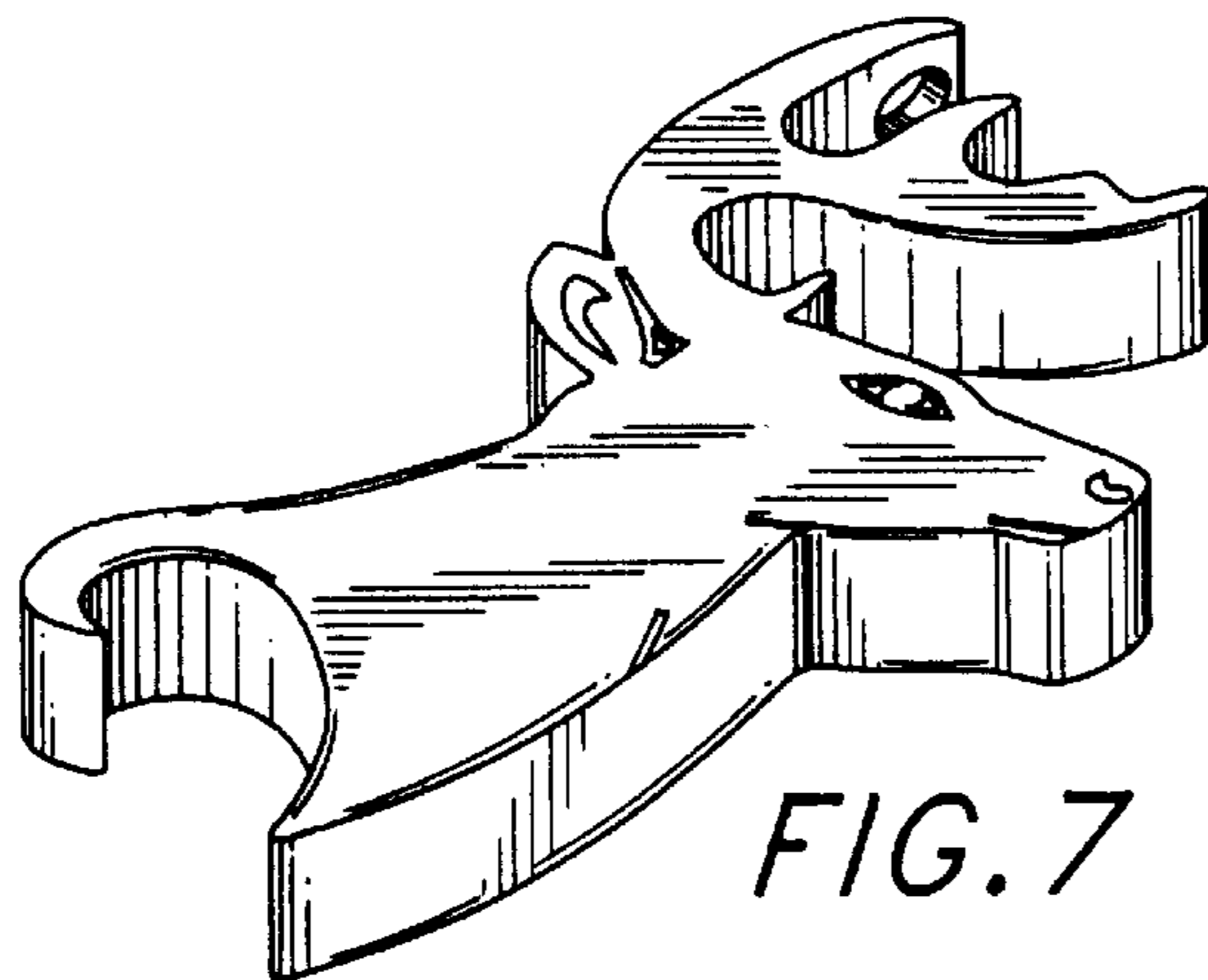


FIG. 7