



US00D516875S

(12) **United States Design Patent**
Hicks et al.

(10) **Patent No.:** **US D516,875 S**
(45) **Date of Patent:** **** Mar. 14, 2006**

- (54) **JACKET FOR BEVERAGE CONTAINER**
- (75) Inventors: **Michael E. Hicks**, Mesquite, TX (US);
Michael B. Shoaf, Mesquite, TX (US)
- (73) Assignee: **Numo Manufacturing, Inc.**, Kaufman,
TX (US)
- (**) Term: **14 Years**
- (21) Appl. No.: **29/208,131**
- (22) Filed: **Jun. 24, 2004**
- (51) **LOC (8) Cl.** **07-06**
- (52) **U.S. Cl.** **D7/625**
- (58) **Field of Classification Search** D7/619.1-625,
D7/605-608; D2/700, 717, 840-850, 909-915;
62/457.1-457.5, 529, 530; 220/737, 739,
220/902, 903; 2/113, 115
See application file for complete search history.

5,207,076 A	5/1993	Sciarrillo	62/457.4
5,211,307 A	5/1993	Jeffries	220/739
D349,217 S	* 8/1994	Spencer	D7/625
5,371,904 A	* 12/1994	McEwen	2/113
5,390,804 A	2/1995	Beggins	215/110 R
5,415,305 A	5/1995	Drake-Tipton et al.	215/392
D361,196 S	* 8/1995	Yoshida	D2/844
5,445,315 A	8/1995	Shelby	229/117.06
D368,000 S	3/1996	Mazza et al.	D7/625
D376,956 S	12/1996	Sharp	D7/607
D376,957 S	12/1996	Sharp	D7/607
D378,195 S	2/1997	Bird	D9/444
D403,209 S	12/1998	Zigterman	D7/625
5,845,806 A	12/1998	Parchman	220/739
5,984,136 A	11/1999	Mason	220/737
6,000,575 A	12/1999	LaCour et al.	220/739
6,026,983 A	2/2000	Graham	220/738
6,039,206 A	3/2000	DeFrancesco	220/737
6,059,138 A	5/2000	Labruyere	220/574
6,059,140 A	5/2000	Hicks	220/739
6,079,316 A	6/2000	Barden et al.	99/297
6,164,487 A	12/2000	Hicks	220/739

OTHER PUBLICATIONS

Corona Extra Insulated Beverage Jacket; Date Before Jun. 2002 (photographs attached).

* cited by examiner

Primary Examiner—Terry A. Wallace
(74) *Attorney, Agent, or Firm*—Kennedy Covington
Lobdell & Hickman, LLP

(57) **CLAIM**

The ornamental design for a jacket for beverage container, as shown and described.

DESCRIPTION

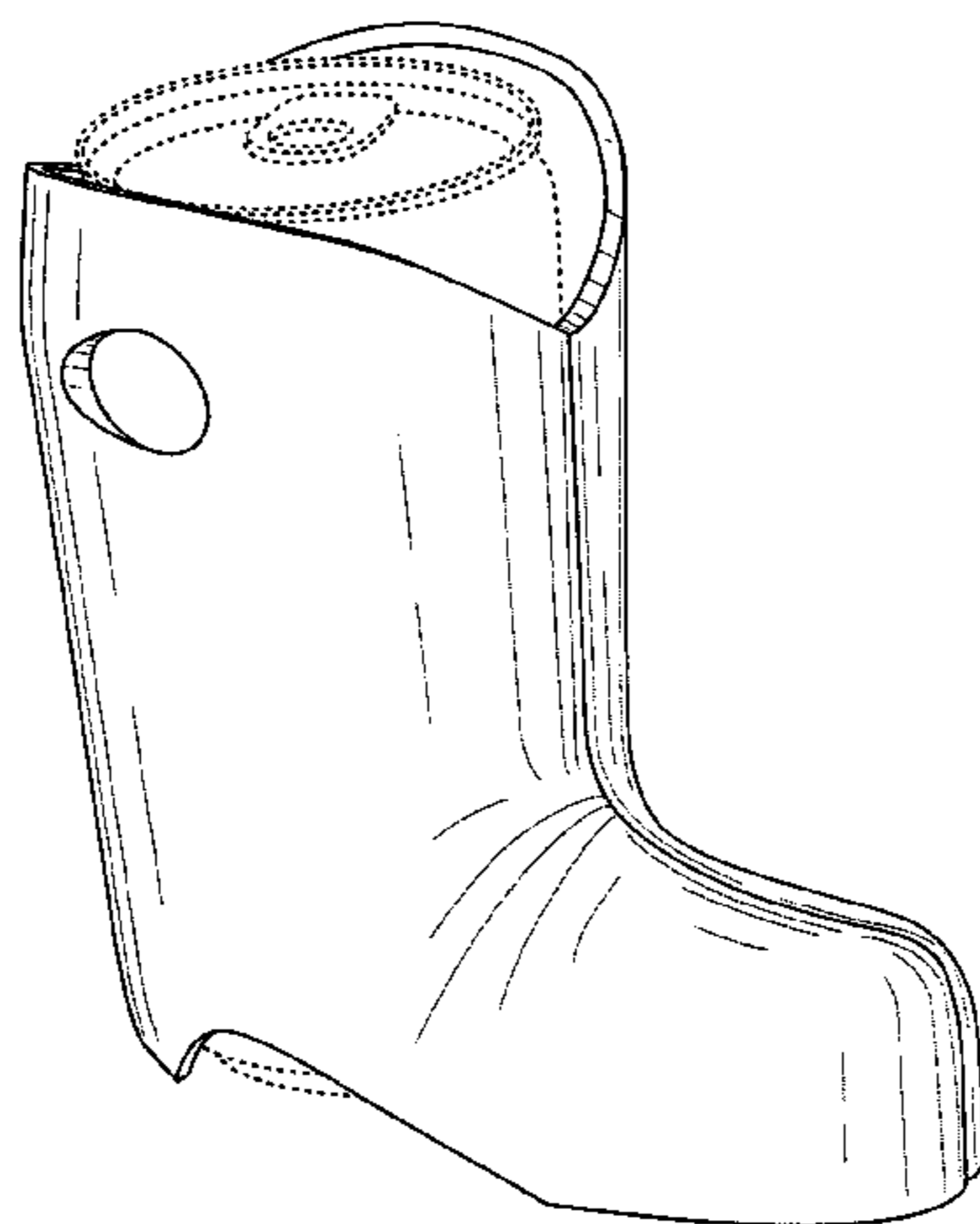
FIG. 1 is a perspective view of a jacket for beverage container showing our new design as placed about a beverage container shown in phantom lines; FIG. 2 is a side elevational view thereof; FIG. 3 is a front elevational view thereof; FIG. 4 is a rear elevational view thereof; FIG. 5 is a top plan view thereof; and, FIG. 6 is a bottom plan view thereof.

1 Claim, 4 Drawing Sheets

(56) **References Cited**

U.S. PATENT DOCUMENTS

2,103,092 A	12/1937	Robinson	93/35
2,409,820 A	10/1946	Zimmern	215/12
2,484,776 A	10/1949	Zent et al.	229/8
3,379,335 A	4/1968	Mongelluzzo	220/62
3,865,269 A	2/1975	Coleman	220/6
4,194,627 A	3/1980	Christensen	206/545
4,194,652 A	3/1980	Williamson et al.	222/185
4,197,890 A	4/1980	Simko	150/2.2
D255,169 S	* 6/1980	McCue	D2/717
D262,084 S	* 12/1981	Hayden, Jr.	D7/625
D262,854 S	* 2/1982	Hayden, Jr.	D7/625
4,401,245 A	8/1983	Zills	224/148
4,540,611 A	9/1985	Henderson	428/12
4,628,007 A	12/1986	Ledsham	428/542.8
4,746,028 A	5/1988	Bagg	220/85
4,802,602 A	2/1989	Evans et al.	220/85
4,815,999 A	3/1989	Ayon et al.	446/73
4,860,388 A	* 8/1989	Dean	2/247
4,867,214 A	9/1989	Fuller	428/35.8
4,986,089 A	* 1/1991	Raab	62/457.4
5,169,025 A	12/1992	Guo	220/739
D335,245 S	5/1993	Bauer	D7/608



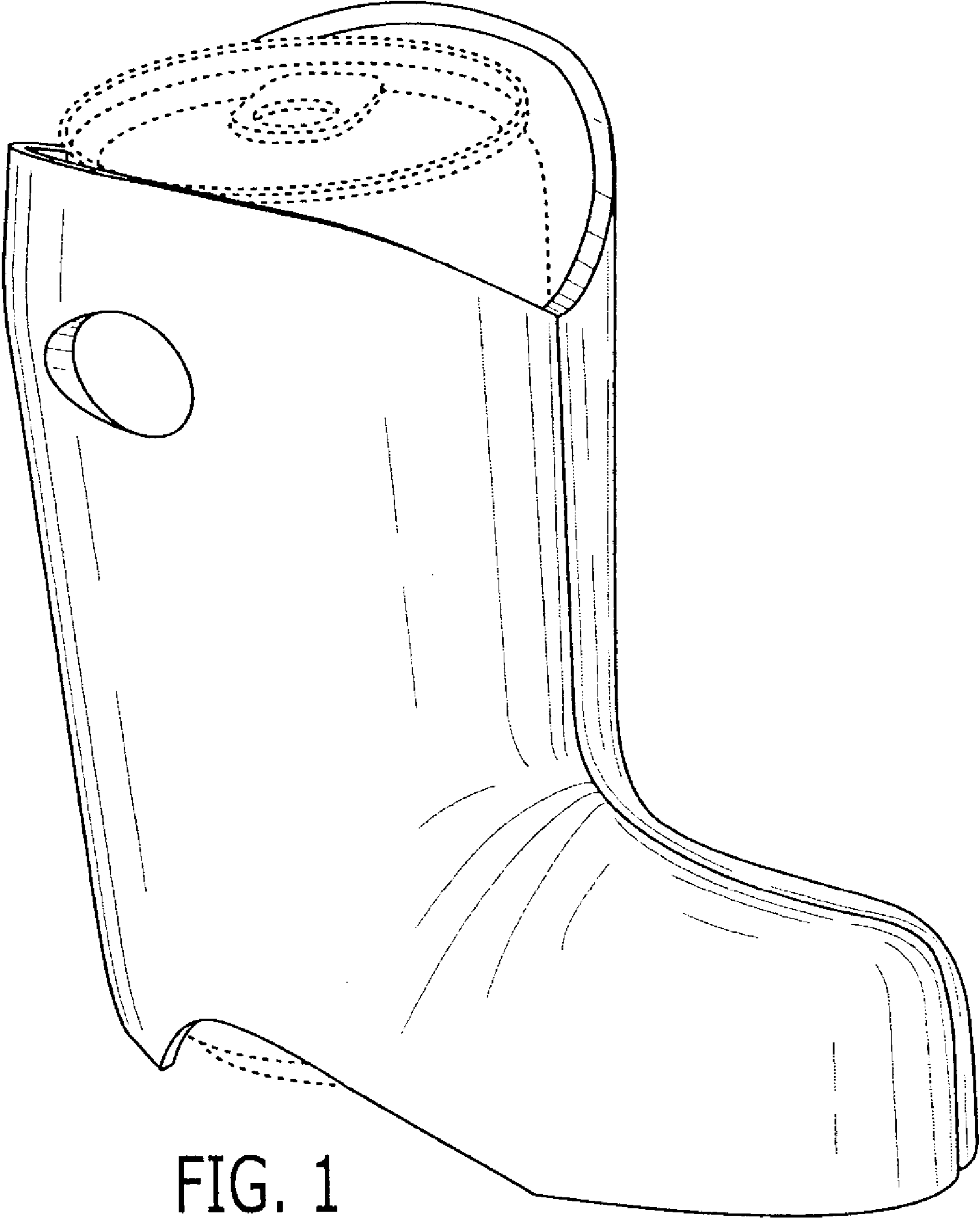


FIG. 1

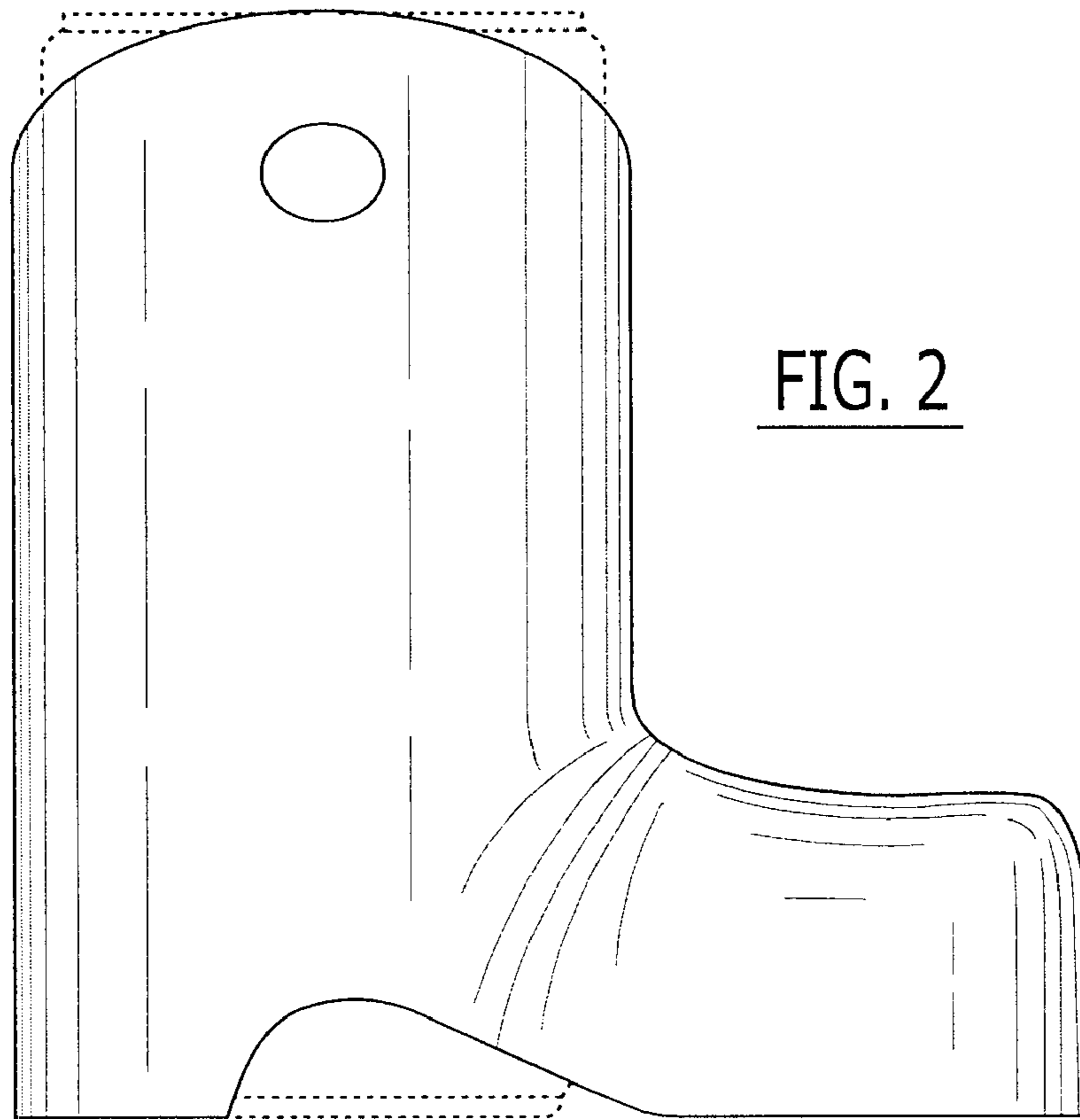


FIG. 2

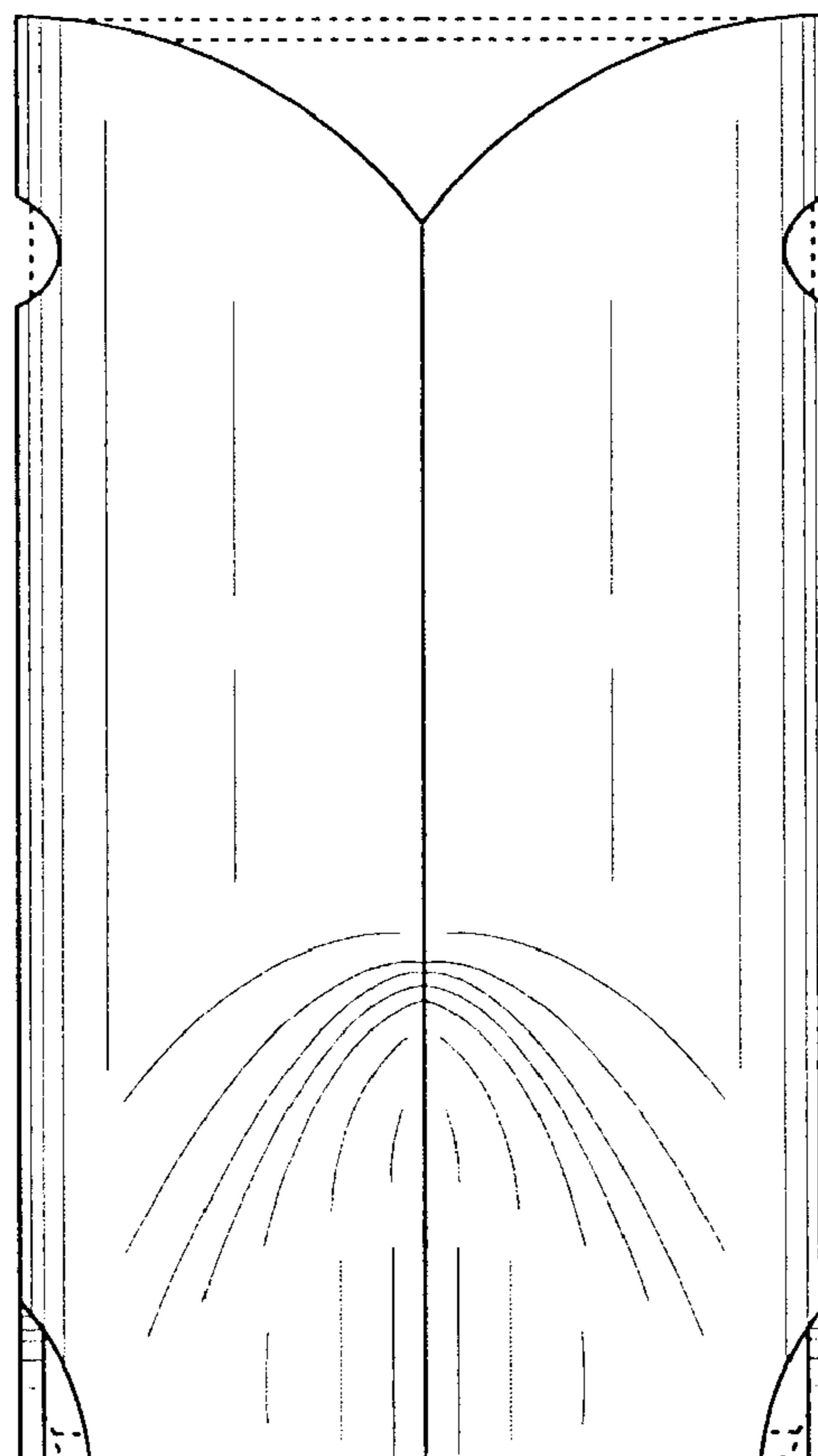


FIG. 3

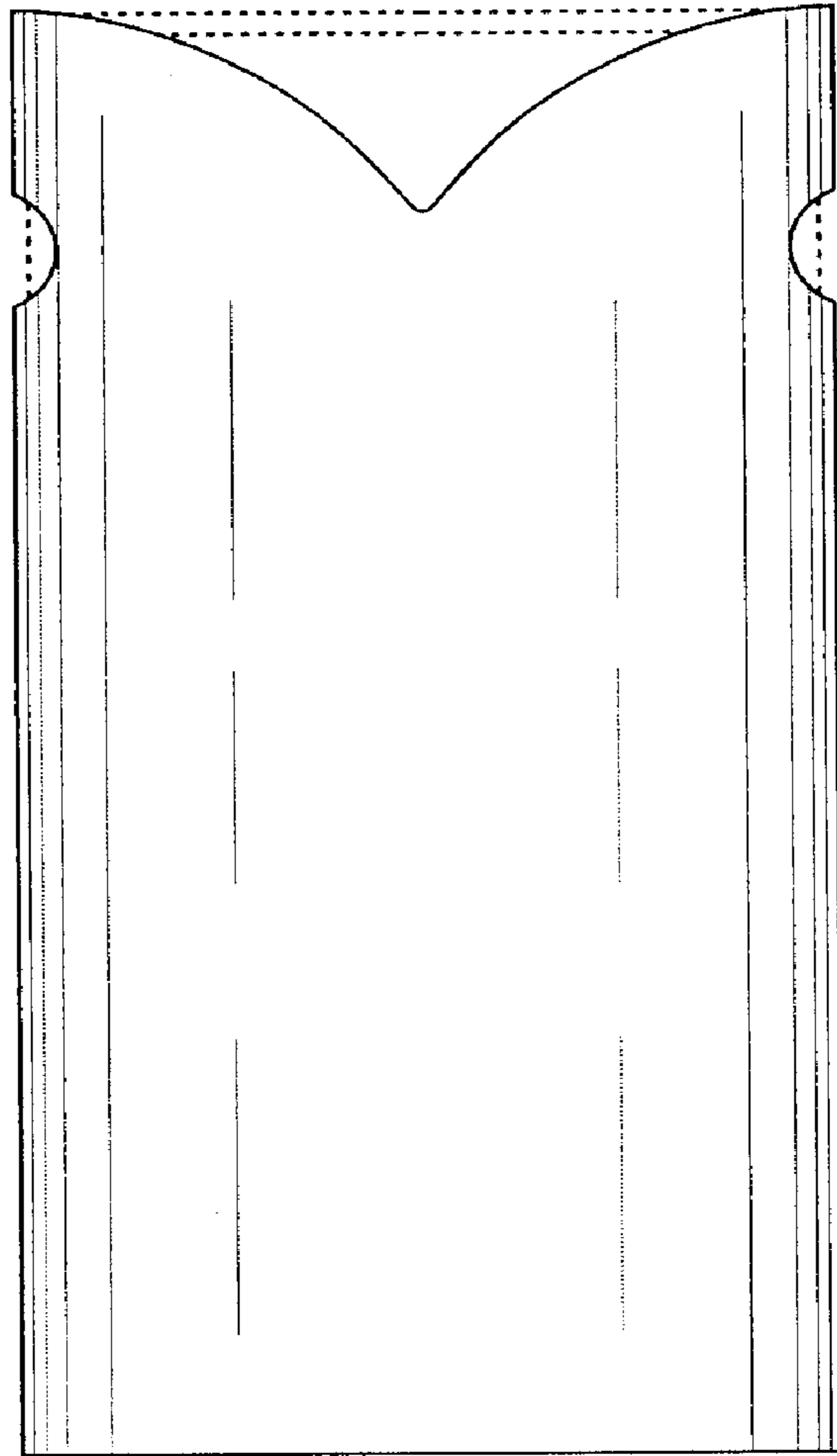


FIG. 4

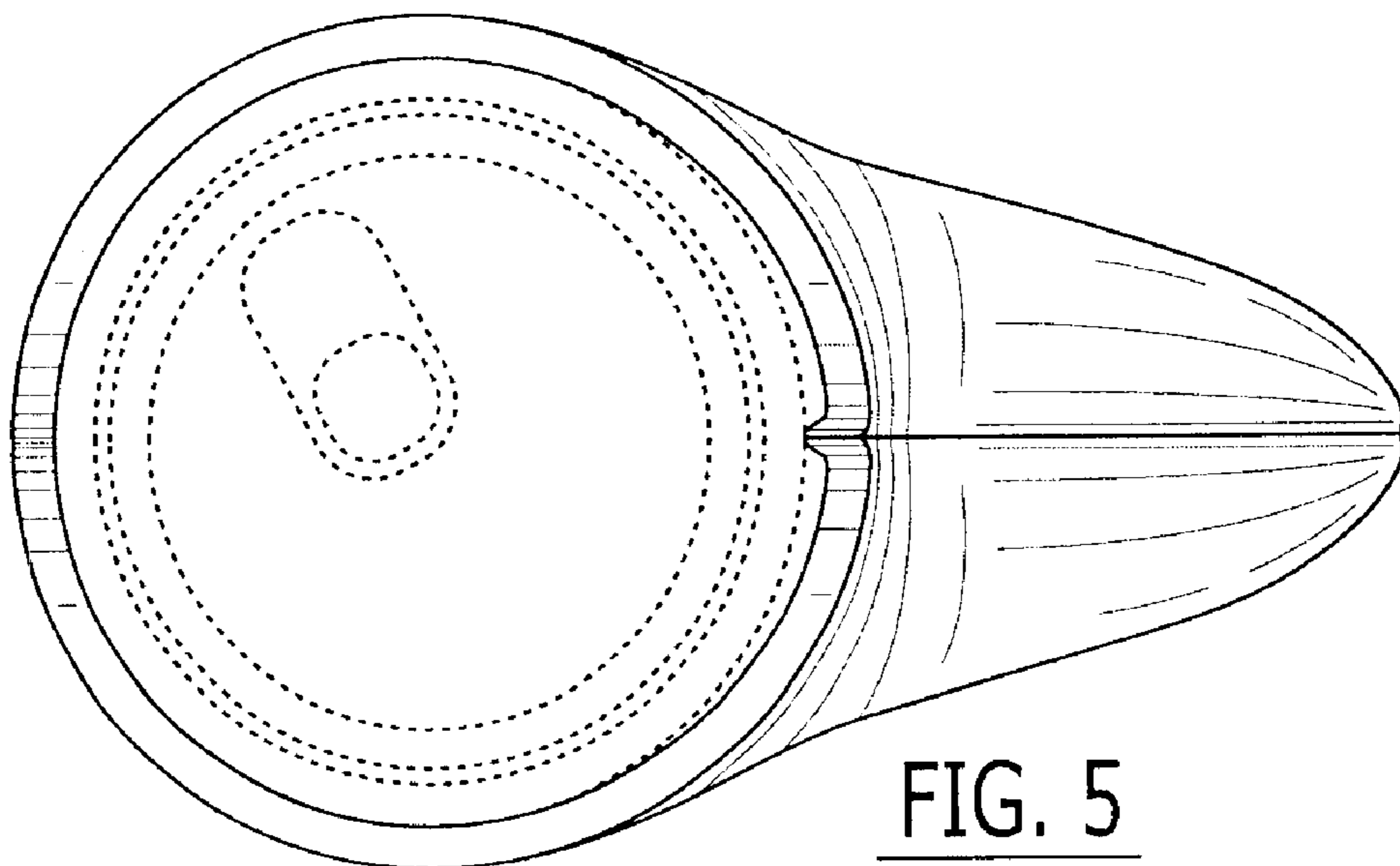


FIG. 5

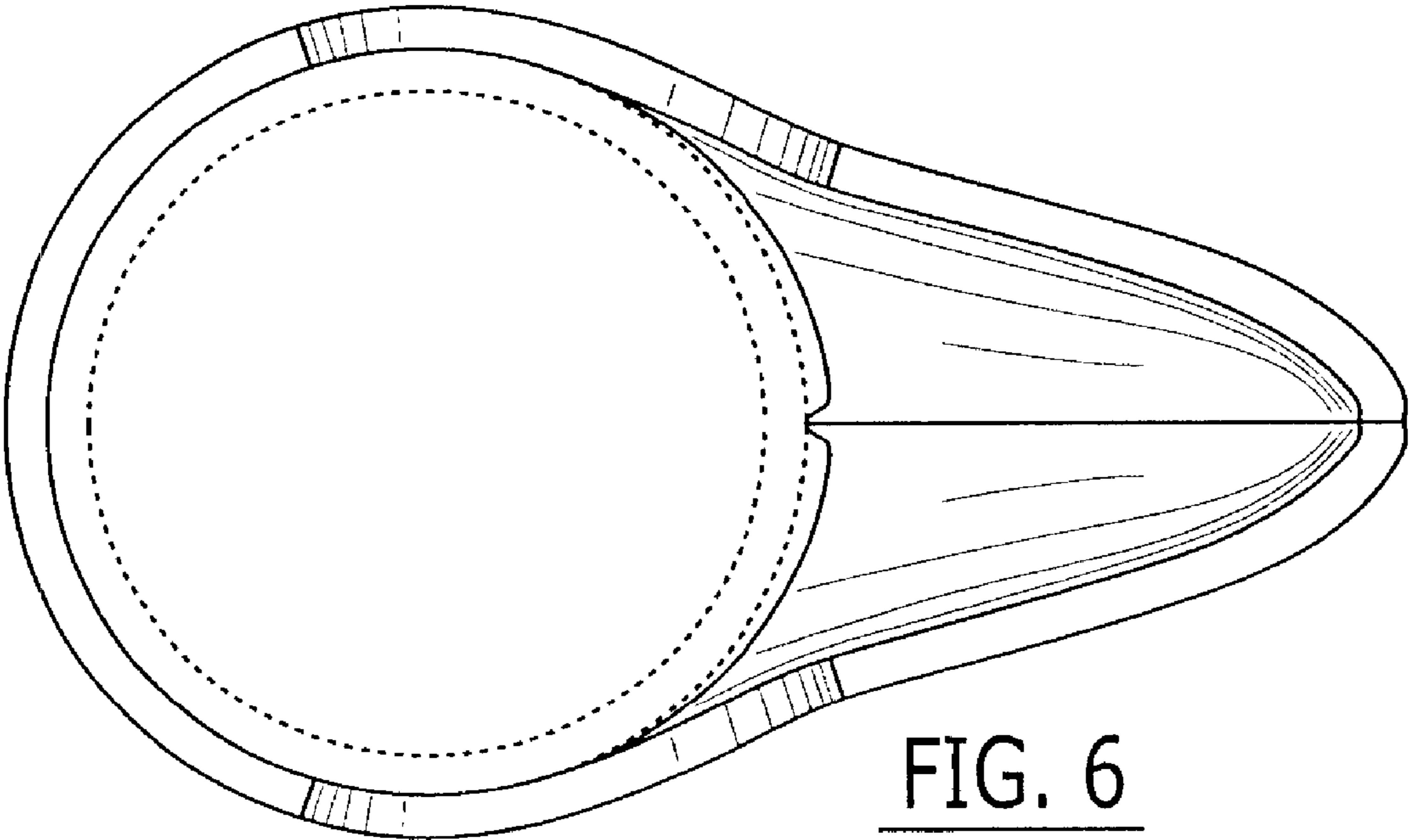


FIG. 6