



US00D516874S

(12) **United States Design Patent**
Haney et al.

(10) **Patent No.: US D516,874 S**
(45) **Date of Patent: ** Mar. 14, 2006**

(54) **CUP HOLDER**

(75) Inventors: **Trevor R. Haney**, Jenison, MI (US);
Thomas R. Kemppainen, Hastings, MI
(US); **Bernard A. Herold, III**,
Grandville, MI (US)

(73) Assignee: **American Seating Company**, Grand
Rapids, MI (US)

(**) Term: **14 Years**

(21) Appl. No.: **29/216,443**

(22) Filed: **Nov. 4, 2004**

(51) **LOC (8) Cl.** **07-06**

(52) **U.S. Cl.** **D7/620**

(58) **Field of Classification Search** D7/619.1-625;
D12/419, 420; 248/309.1, 311.2, 312.1; 297/188.04,
297/188.06, 188.2, 188.18, 188.15, 188.21,
297/411.23

See application file for complete search history.

(56) **References Cited**

U.S. PATENT DOCUMENTS

D365,250 S * 12/1995 Bergin et al. D7/620

D368,628 S * 4/1996 Bergin D7/620
D383,362 S * 9/1997 Ayotte et al. D7/620
5,813,644 A * 9/1998 Bergin 248/311.2
D445,308 S * 7/2001 Oxley D7/620
D478,479 S * 8/2003 Garvin D7/620

* cited by examiner

Primary Examiner—Terry A. Wallace

(74) *Attorney, Agent, or Firm*—Clark & Brody

(57) **CLAIM**

The ornamental design for a cup holder, as shown and described.

DESCRIPTION

FIG. 1 is a perspective view of a cup holder showing my new design.

FIG. 2 is a right side elevation view thereof, the left side elevation being a mirror image of FIG. 2.

FIG. 3 is a front elevation view thereof.

FIG. 4 is a rear elevation view thereof.

FIG. 5 is a top plan view thereof; and,

FIG. 6 is a bottom plan view thereof.

The broken lines are for illustrative purposes only and form no part of the claimed design.

1 Claim, 3 Drawing Sheets

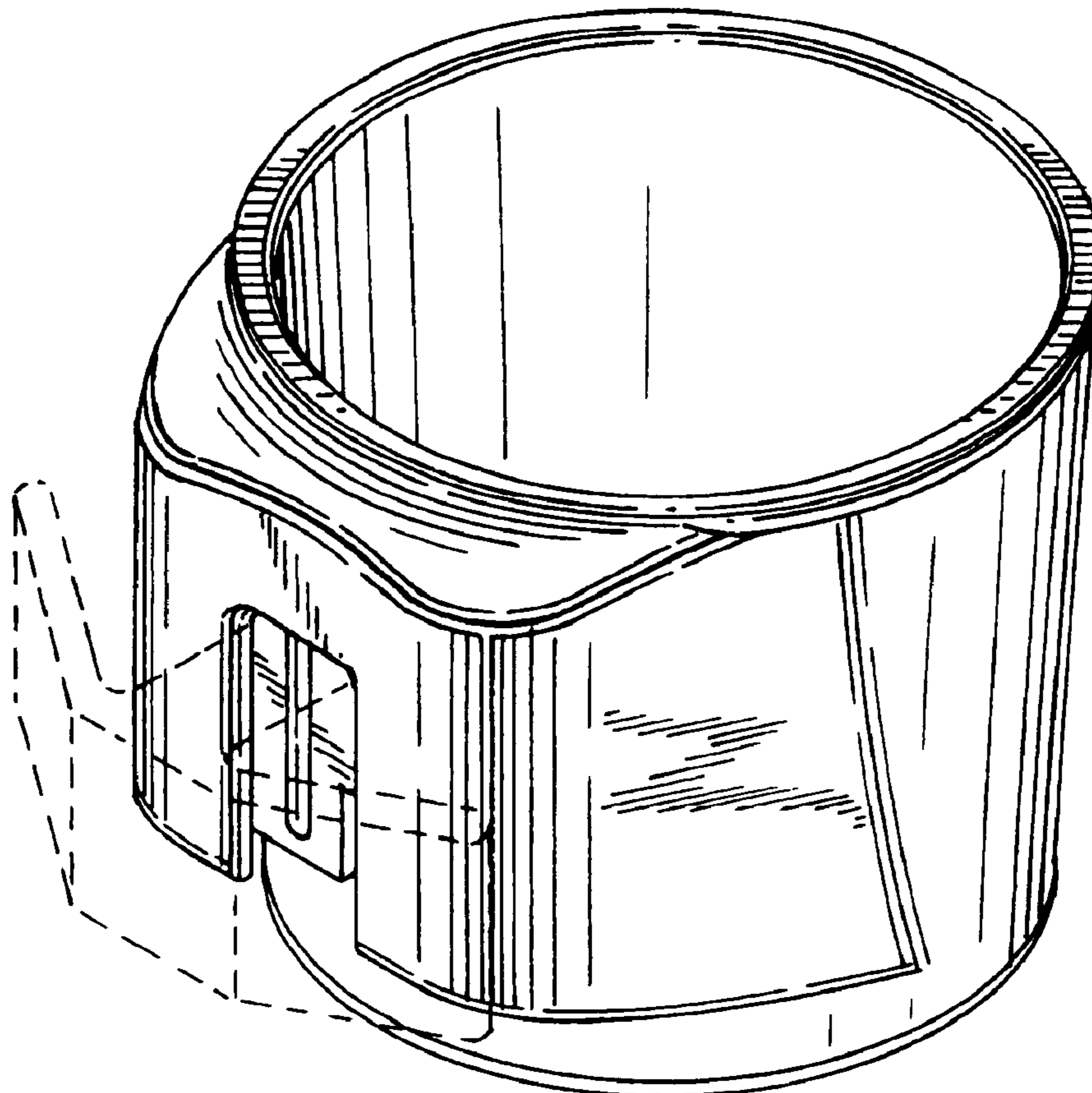


FIG. 1

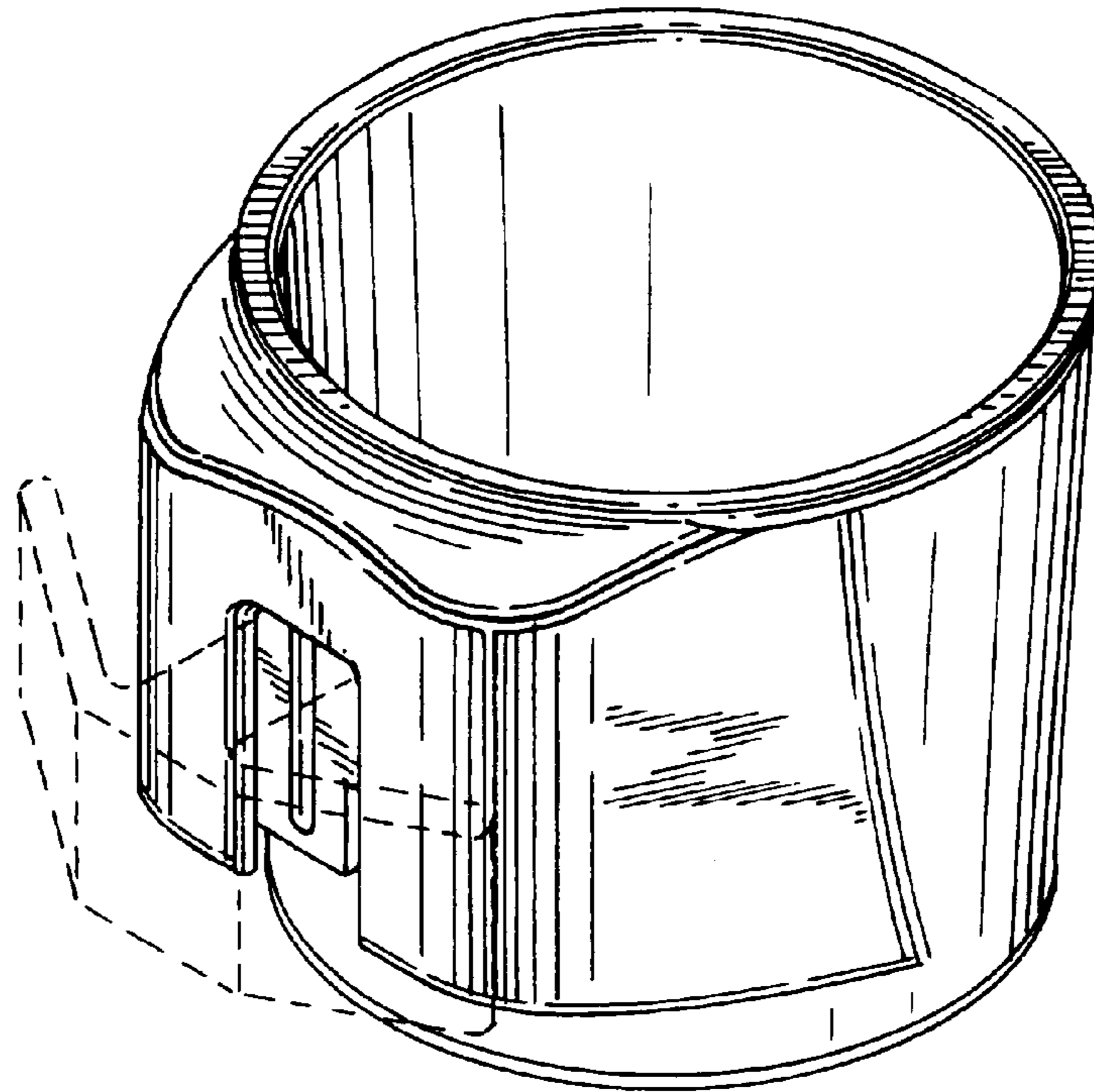


FIG. 2

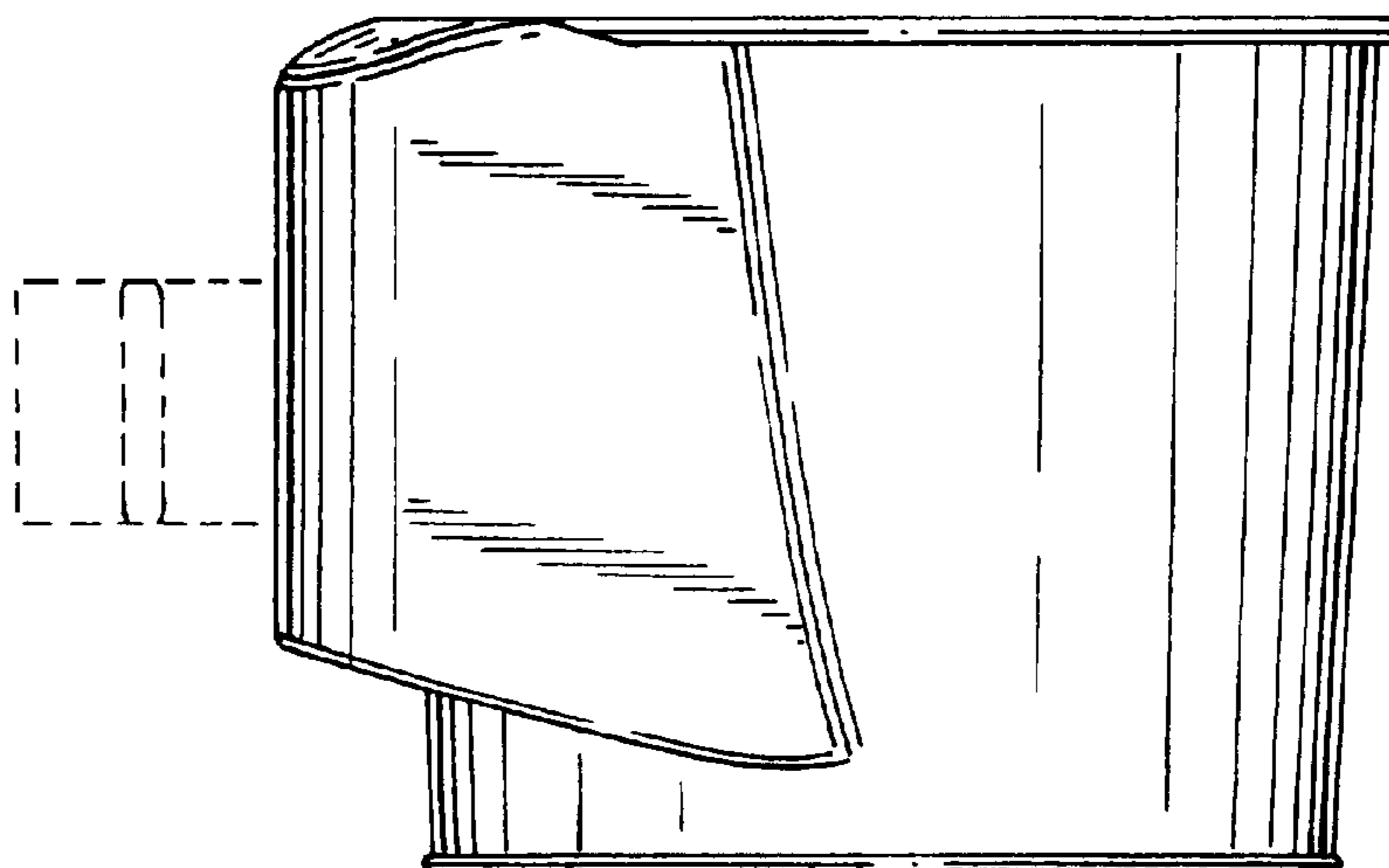


FIG. 3

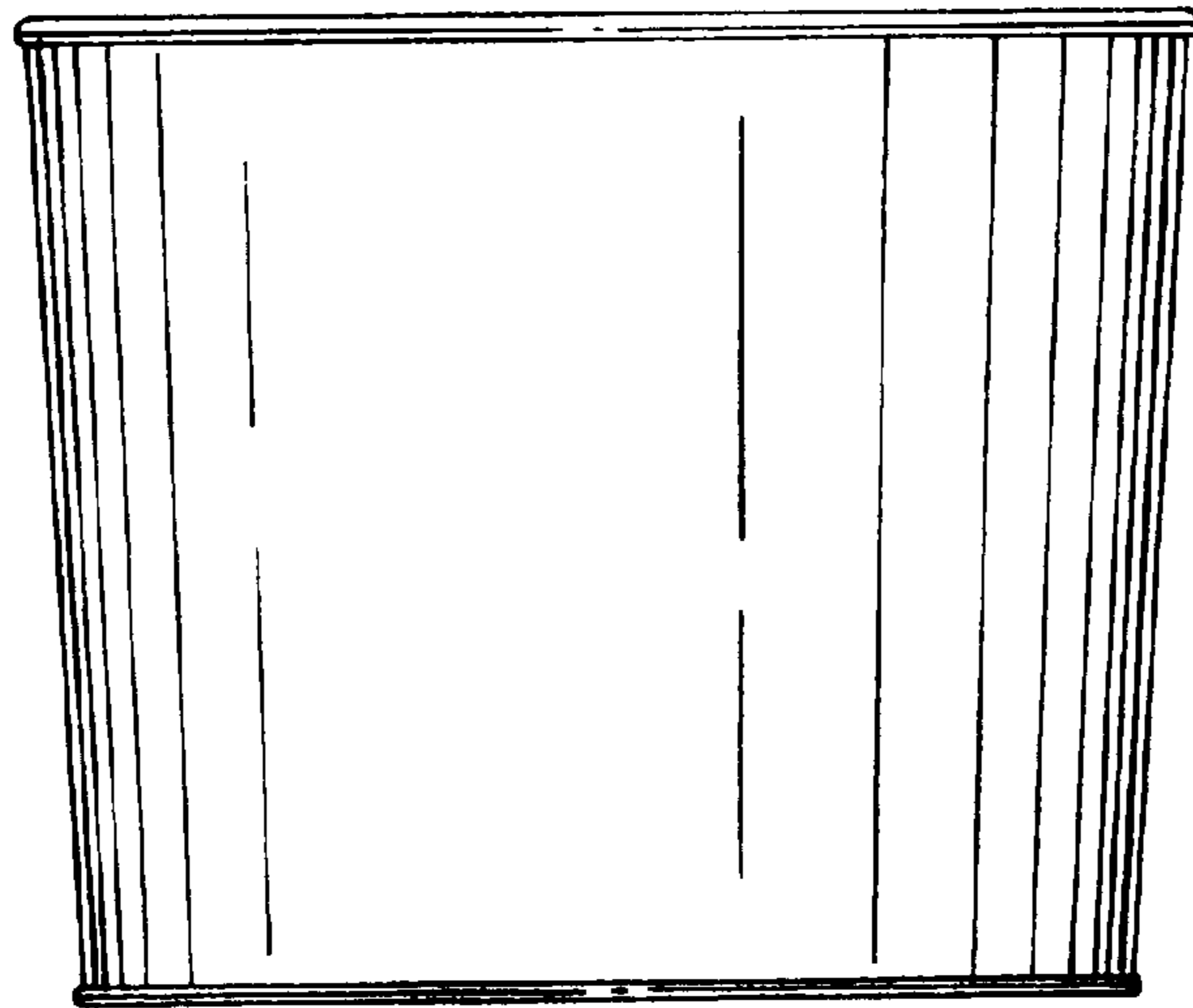


FIG. 4

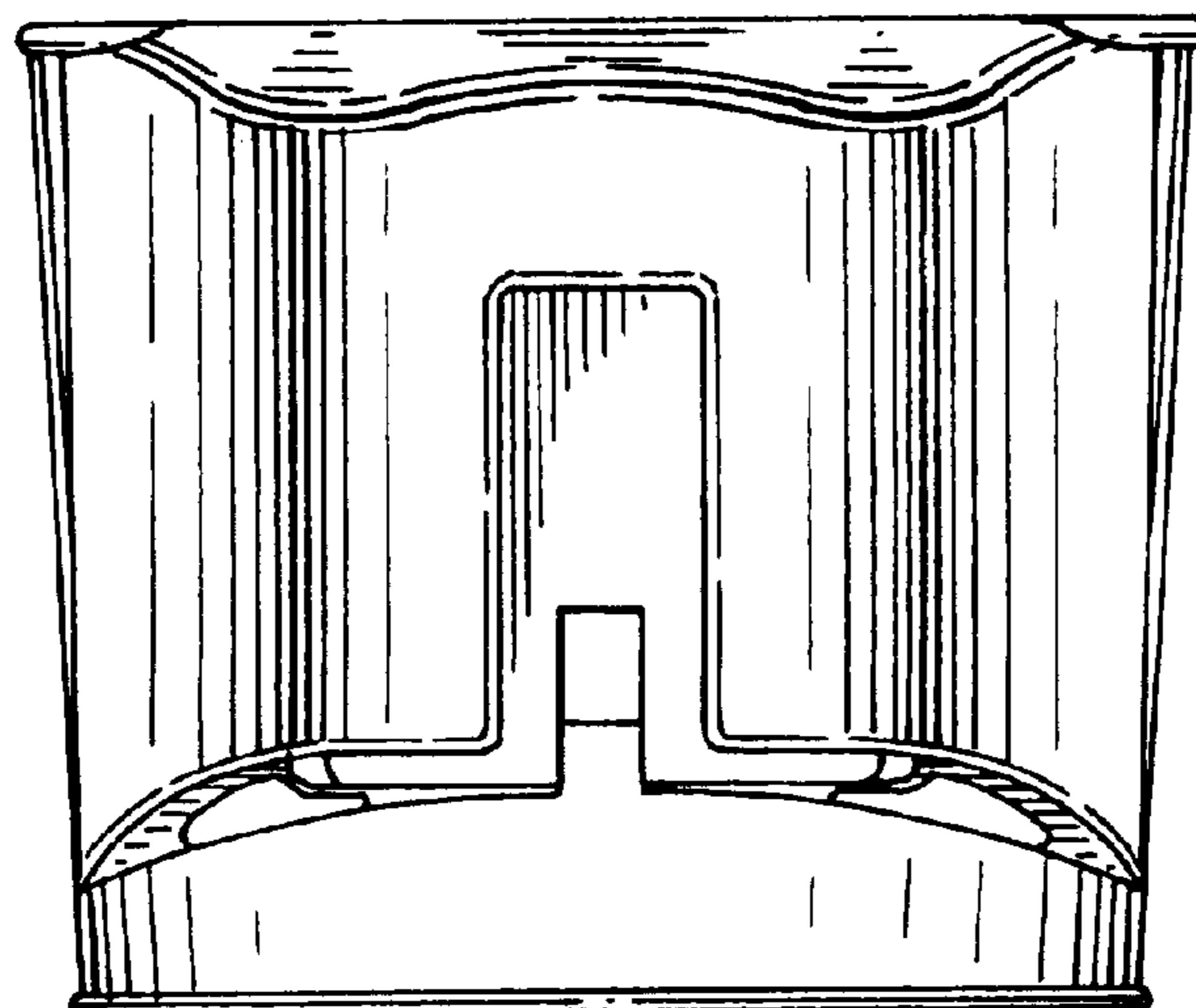


FIG. 5

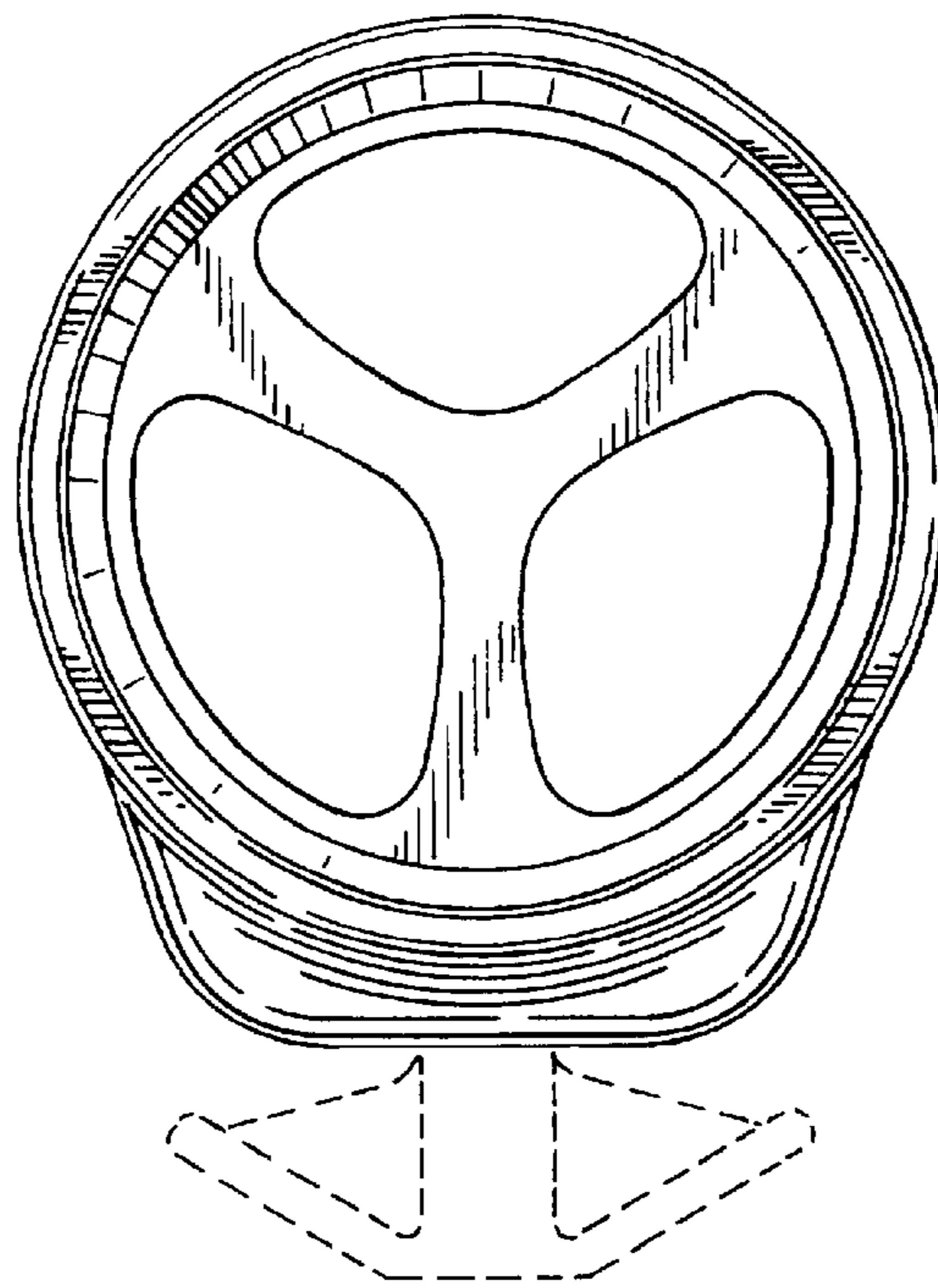


FIG. 6

