



US00D516872S

(12) **United States Design Patent**
Rigberg et al.

(10) **Patent No.:** **US D516,872 S**
(45) **Date of Patent:** **** Mar. 14, 2006**

(54) **HOLDER FOR CANS, BOTTLES, GLASSES, CUPS AND THE LIKE**

D348,183 S * 6/1994 Sawatsky et al. D7/624.1
6,047,849 A * 4/2000 Schwegman et al. 220/737

(75) Inventors: **Allan Rigberg**, Kamuela, HI (US);
Cheryl Kerzner, Woodland Hills, CA (US);
Ike Sutton, Old Westbury, NY (US)

* cited by examiner

Primary Examiner—Terry A. Wallace
(74) *Attorney, Agent, or Firm*—Robert M. Ashen, Esq.

(73) Assignee: **Just Products, Inc.**, Kamuela, HI (US)

(57) **CLAIM**

(**) Term: **14 Years**

The ornamental design for a holder for cans, bottles, glasses, cups and the like, as shown and described.

(21) Appl. No.: **29/214,605**

DESCRIPTION

(22) Filed: **Oct. 5, 2004**

FIG. 1 is a perspective view of a holder which embodies the present invention.

(51) **LOC (8) Cl.** **07-06**

FIG. 2 is a holder of an alternate form which does not include a bottom wall.

(52) **U.S. Cl.** **D7/619.1**

FIG. 3 is a holder of an alternate form where there are three instead of four retainer tabs.

(58) **Field of Classification Search** D7/619.1–625,

D7/701–708; 215/394–396; 220/737–740;
248/346.11, 311.2

FIG. 4 is a holder of an alternate form where there are two retainer tabs.

See application file for complete search history.

FIG. 5 is a top plan view of the holder of FIG. 1.

FIG. 6 is a bottom plan view of the holder of FIG. 1.

FIG. 7 is a side view of the holder of FIG. 1; and,

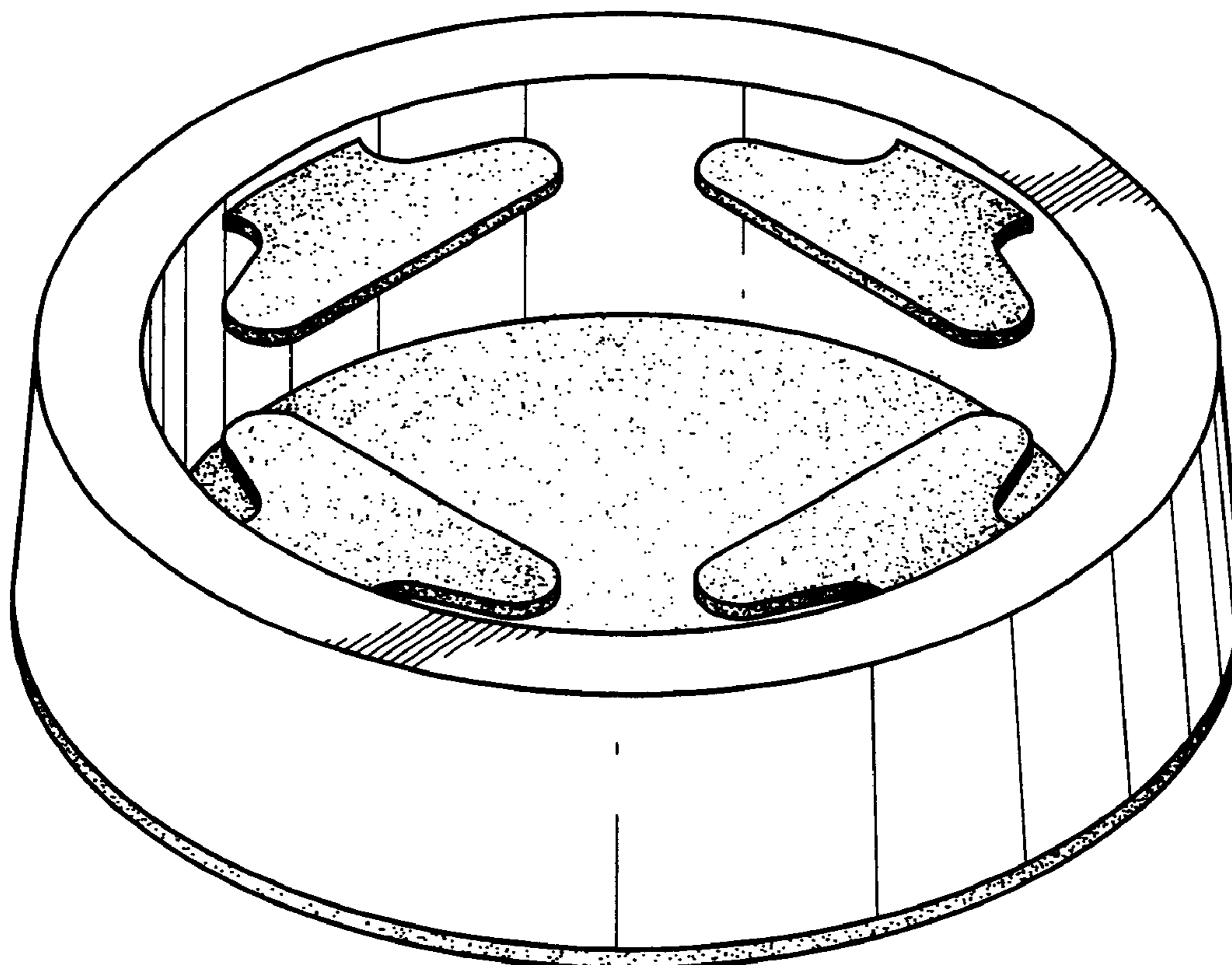
FIG. 8 is a sectional view taken along line 8—8 of FIG. 5.

(56) **References Cited**

U.S. PATENT DOCUMENTS

3,999,261 A * 12/1976 Bingaman 269/217
D330,995 S * 11/1992 Hartman et al. D7/619.1

1 Claim, 3 Drawing Sheets



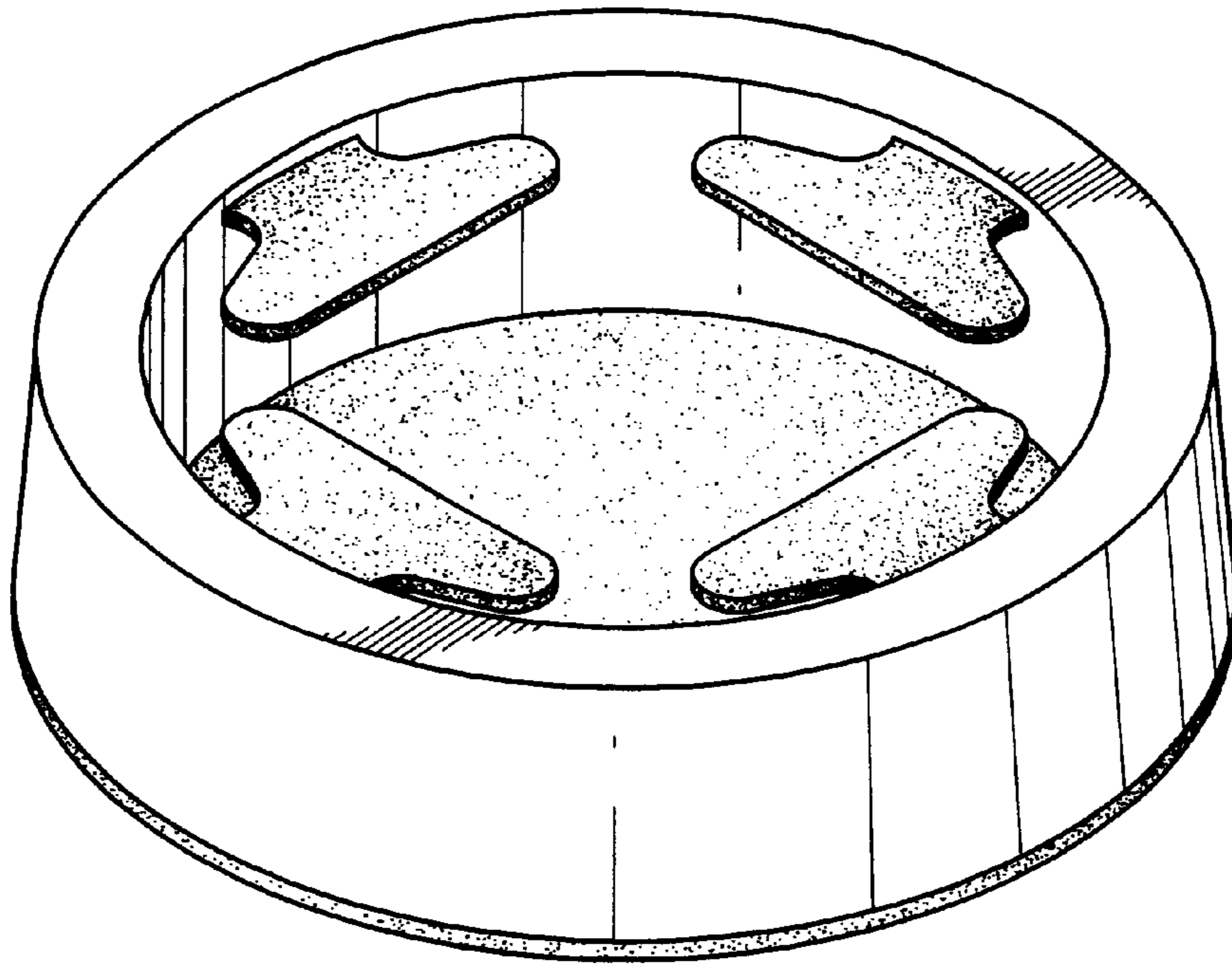


FIG. 1

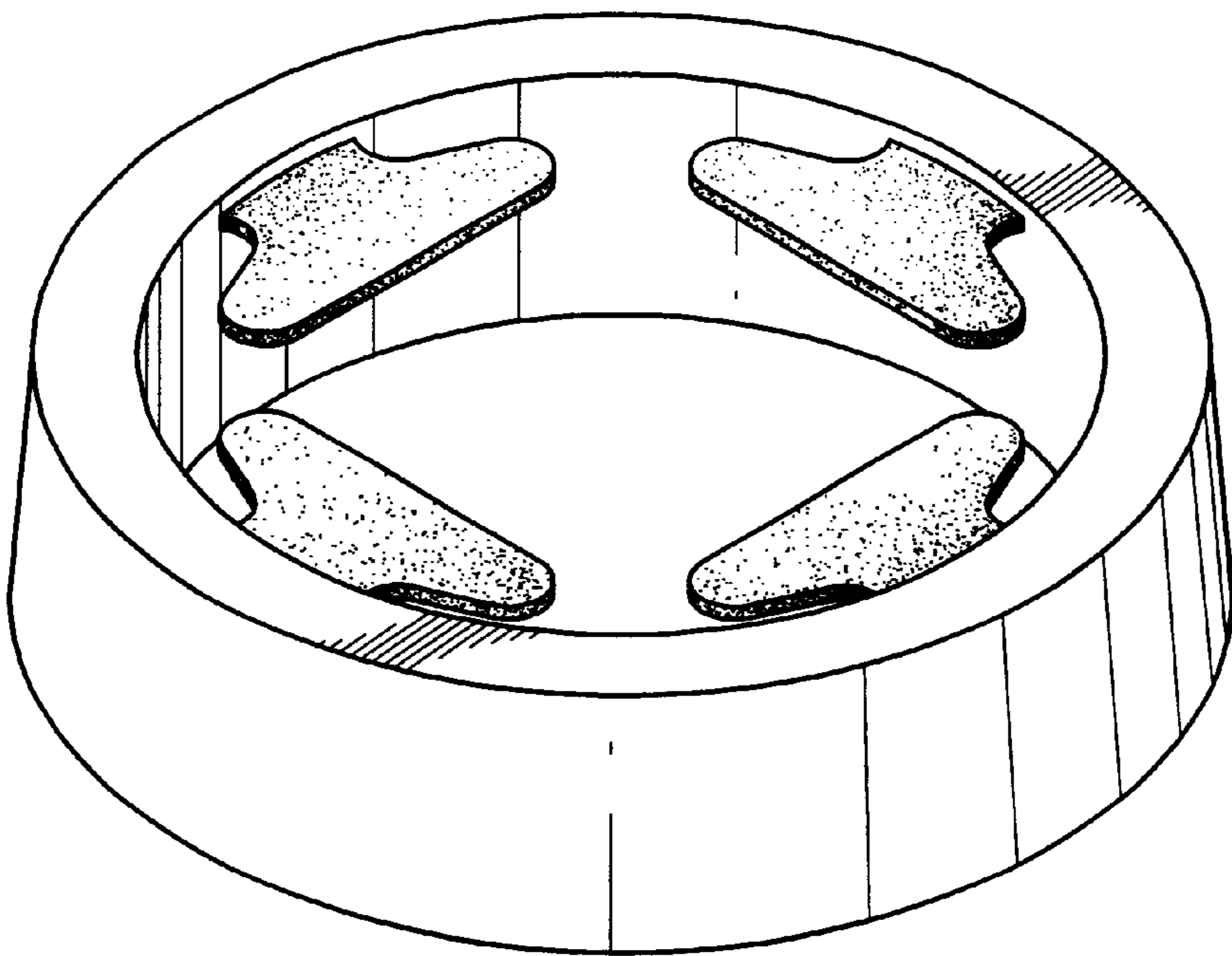


FIG. 2

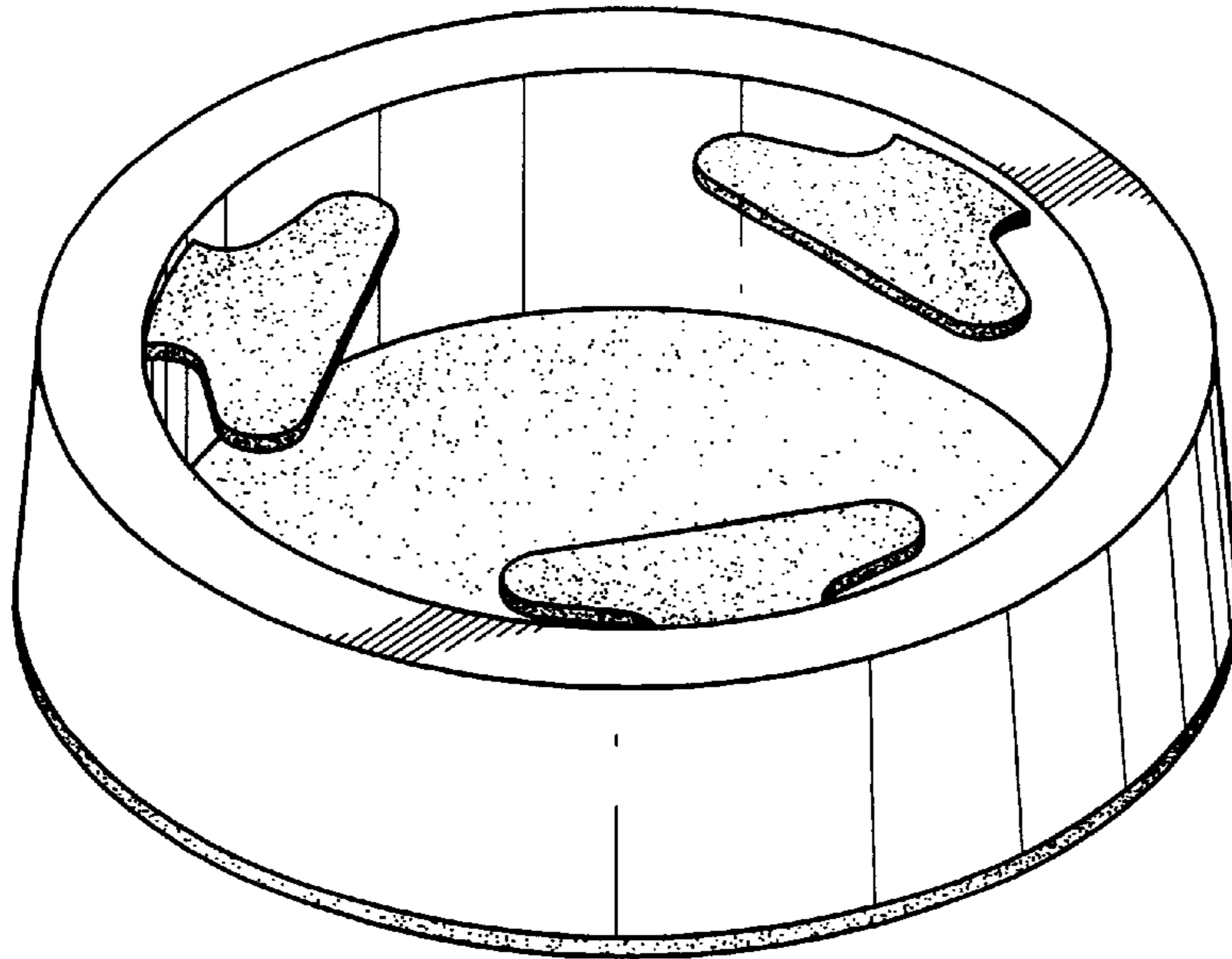


FIG. 3

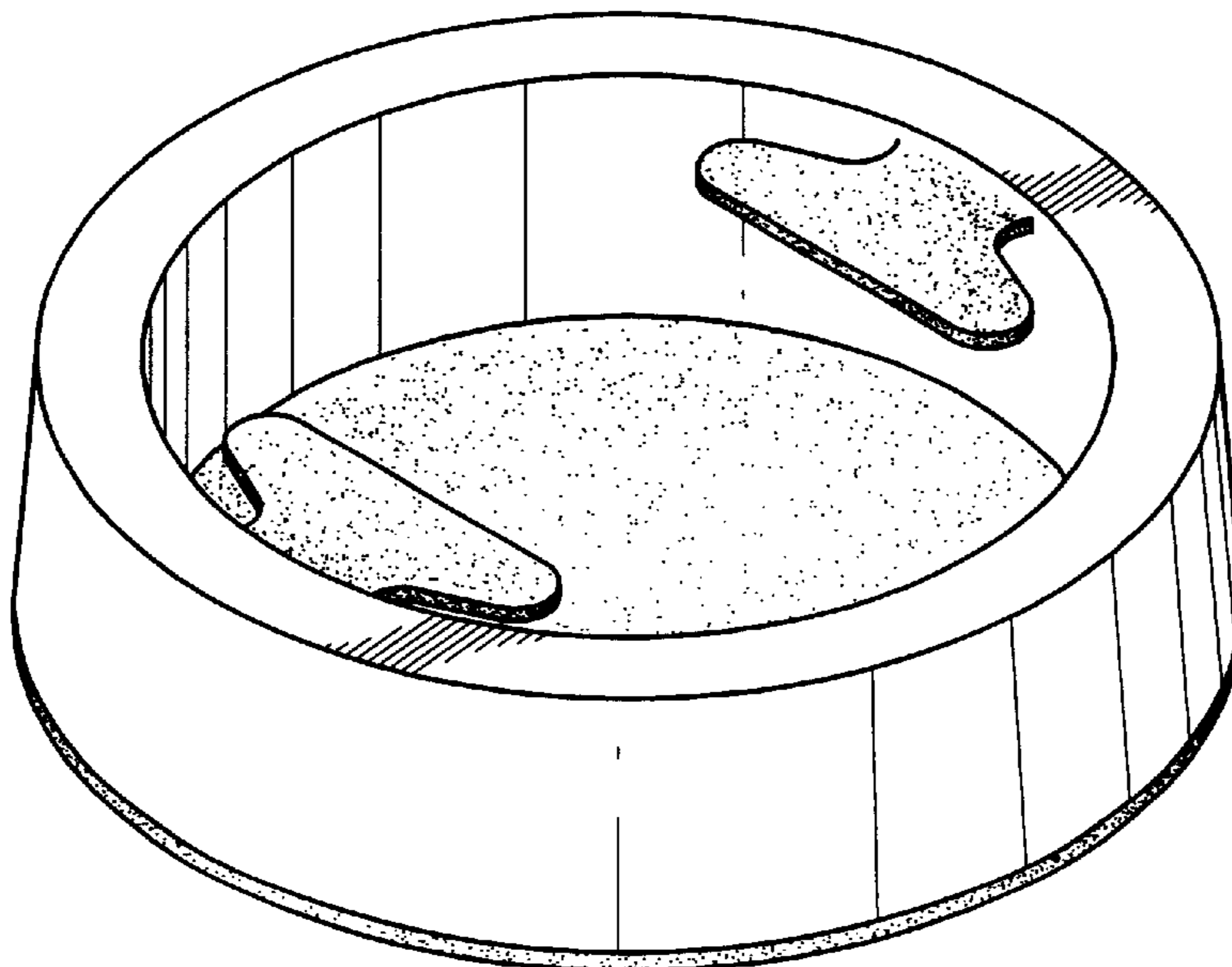


FIG. 4

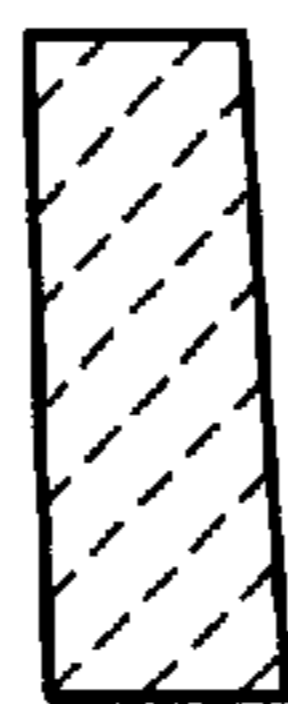


FIG. 8

FIG. 5

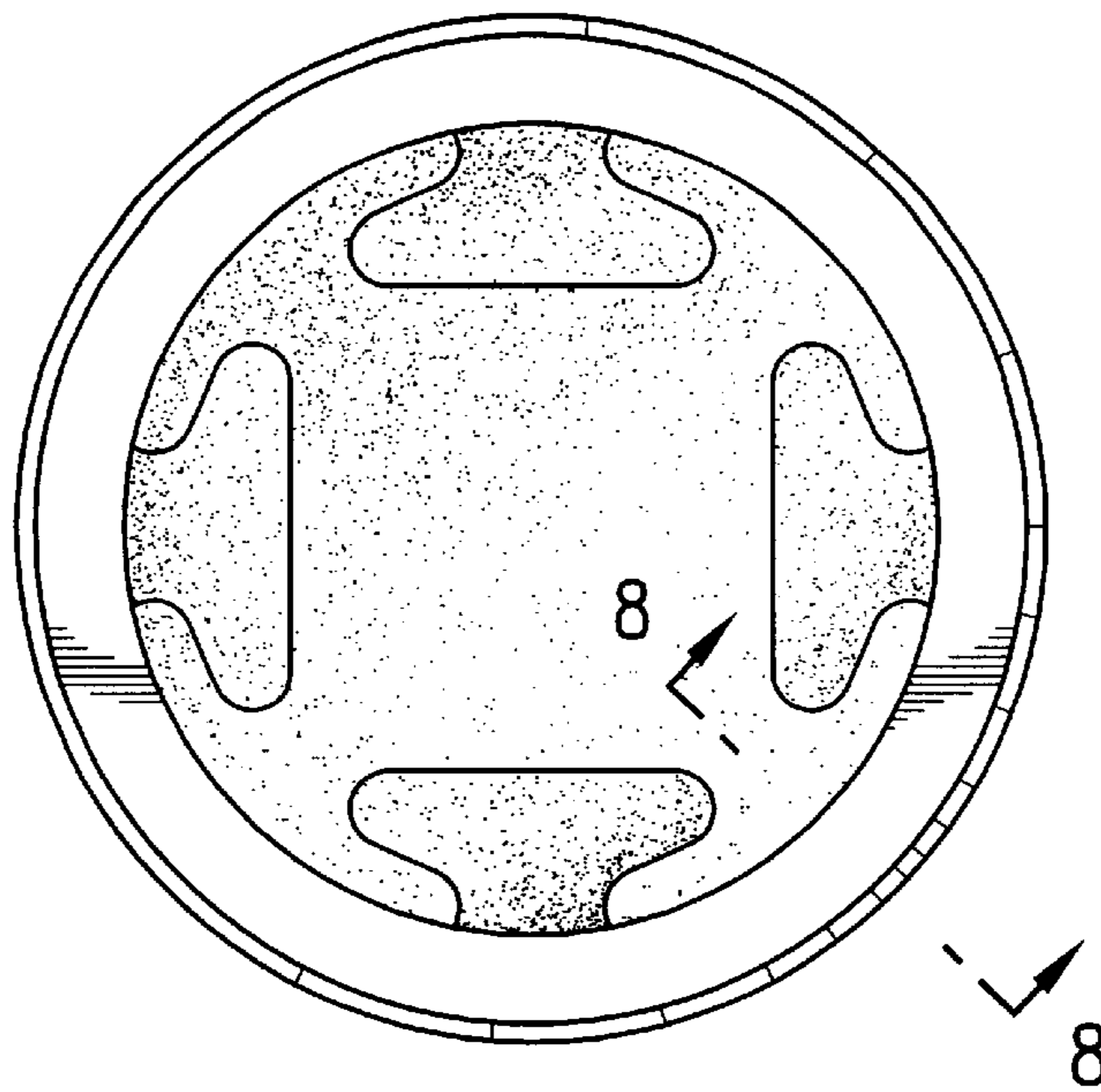


FIG. 6

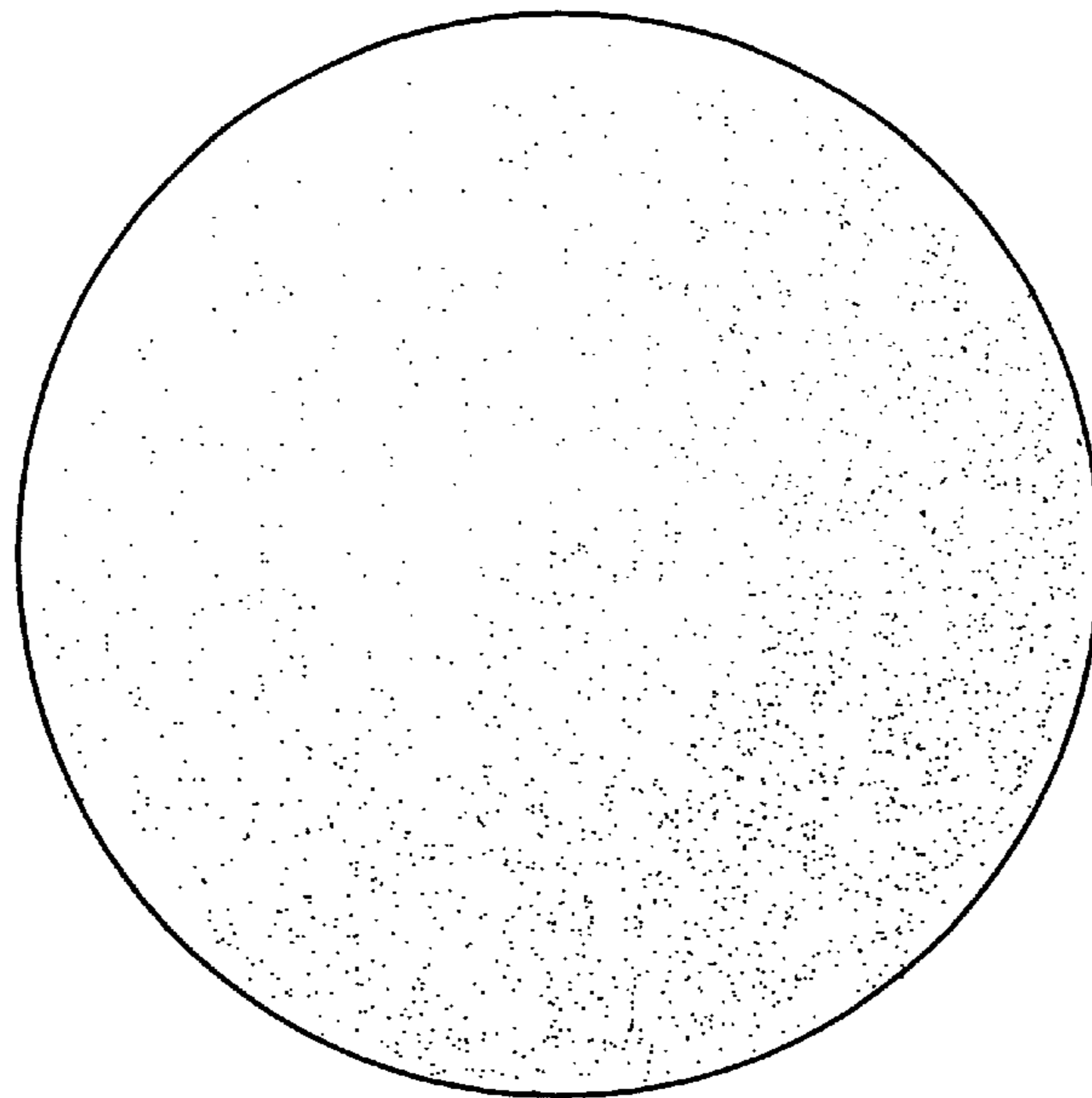


FIG. 7