



US00D516871S

(12) **United States Design Patent**
Graves et al.

(10) **Patent No.:** **US D516,871 S**
(45) **Date of Patent:** **** Mar. 14, 2006**

(54) **CANISTER SPOUT**

D289,720 S * 5/1987 Maher D7/396.2
D334,113 S * 3/1993 Lewis et al. D7/629
D374,147 S * 10/1996 Lillelund et al. D7/300.1

(76) Inventors: **Michael Graves**, 44 Patton Ave.,
Princeton, NJ (US) 08540; **Donald Strum**, 16 Harrison St., Princeton, NJ
(US) 08540; **Eric Bogner**, 108 W. 87th
St., #4B, New York, NY (US) 10024

* cited by examiner

Primary Examiner—Terry A. Wallace
(74) *Attorney, Agent, or Firm*—Duane Morris LLP

(**) **Term:** **14 Years**

(57) **CLAIM**

(21) **Appl. No.:** **29/218,162**

The ornamental design for a canister spout, as shown and described.

(22) **Filed:** **Nov. 29, 2004**

DESCRIPTION

(51) **LOC (8) Cl.** **07-01**

(52) **U.S. Cl.** **D7/612; D7/401.1**

(58) **Field of Classification Search** D7/612–615,
D7/300.1, 401.1, 590–598, 629, 602, 601;
220/568; 222/566–572; D9/434, 435, 440,
D9/447, 529, 547, 549, 559, 572–575
See application file for complete search history.

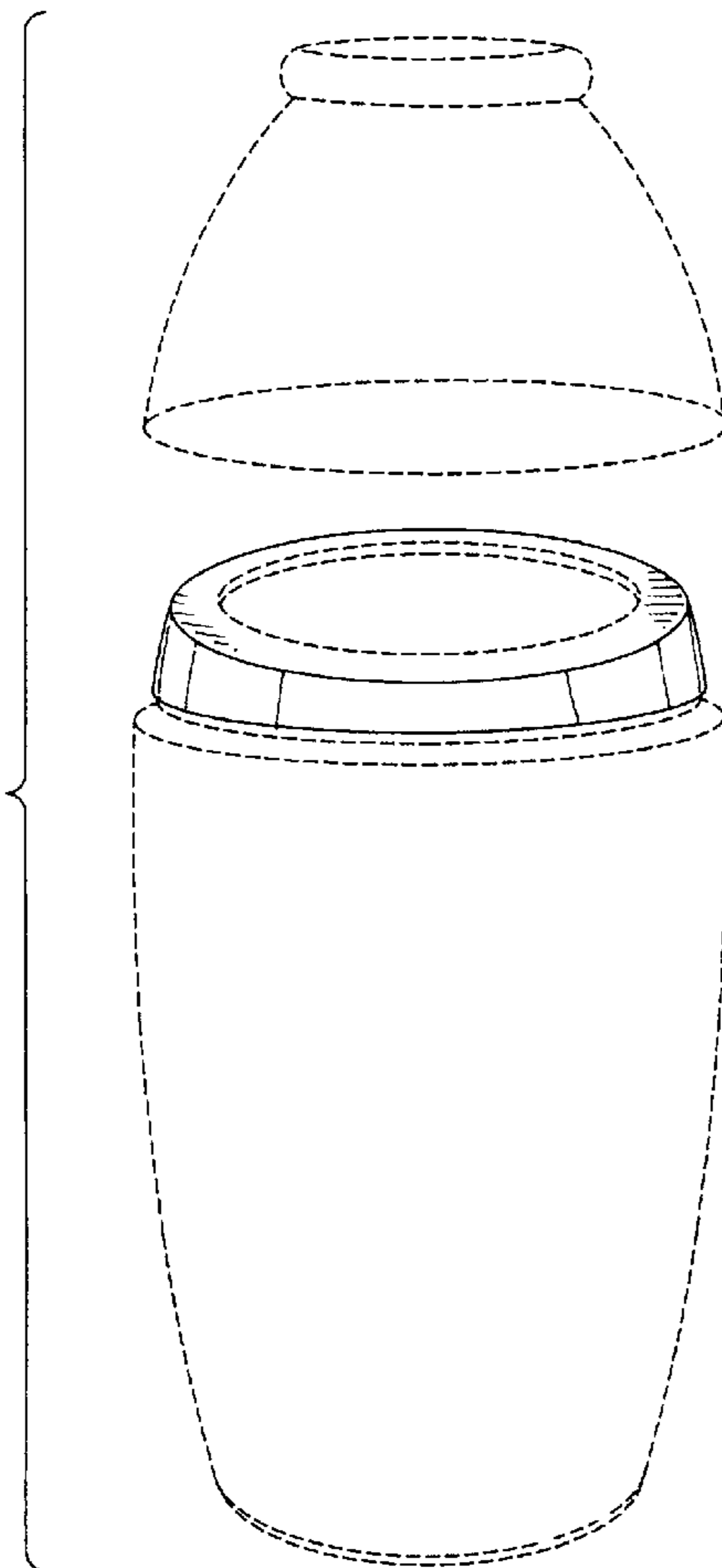
FIG. 1 is an exploded perspective view of a canister spout according to the invention;
FIG. 2 is a side view of the canister spout;
FIG. 3 is a front view of the canister spout;
FIG. 4 is a rear view of the canister spout;
FIG. 5 is a top view of the canister spout; and,
FIG. 6 is a perspective view of a canister spout.
The broken line showing of structure is for illustrative purposes only and forms no part of the claimed design.

(56) **References Cited**

U.S. PATENT DOCUMENTS

D286,508 S * 11/1986 Tilden D9/435

1 Claim, 5 Drawing Sheets



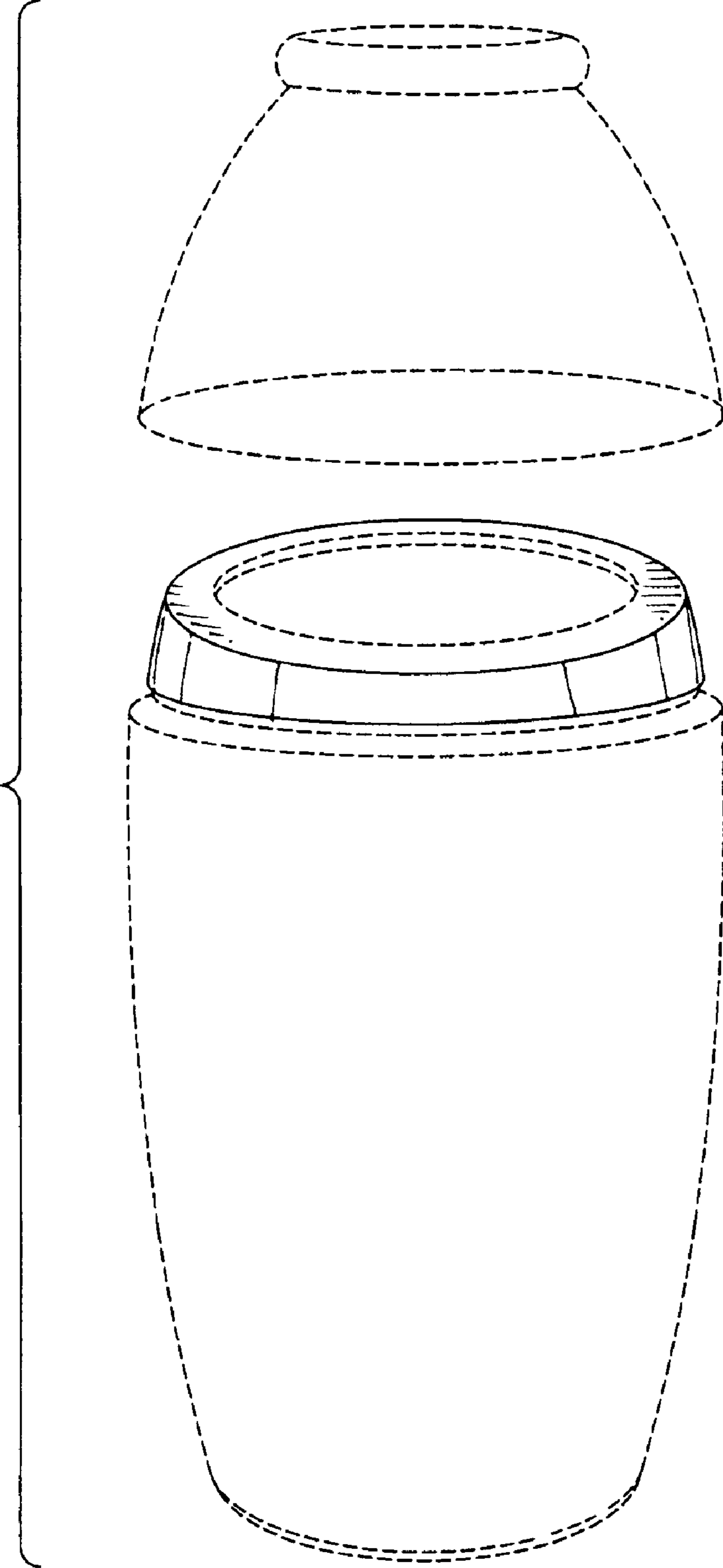


FIG. 1

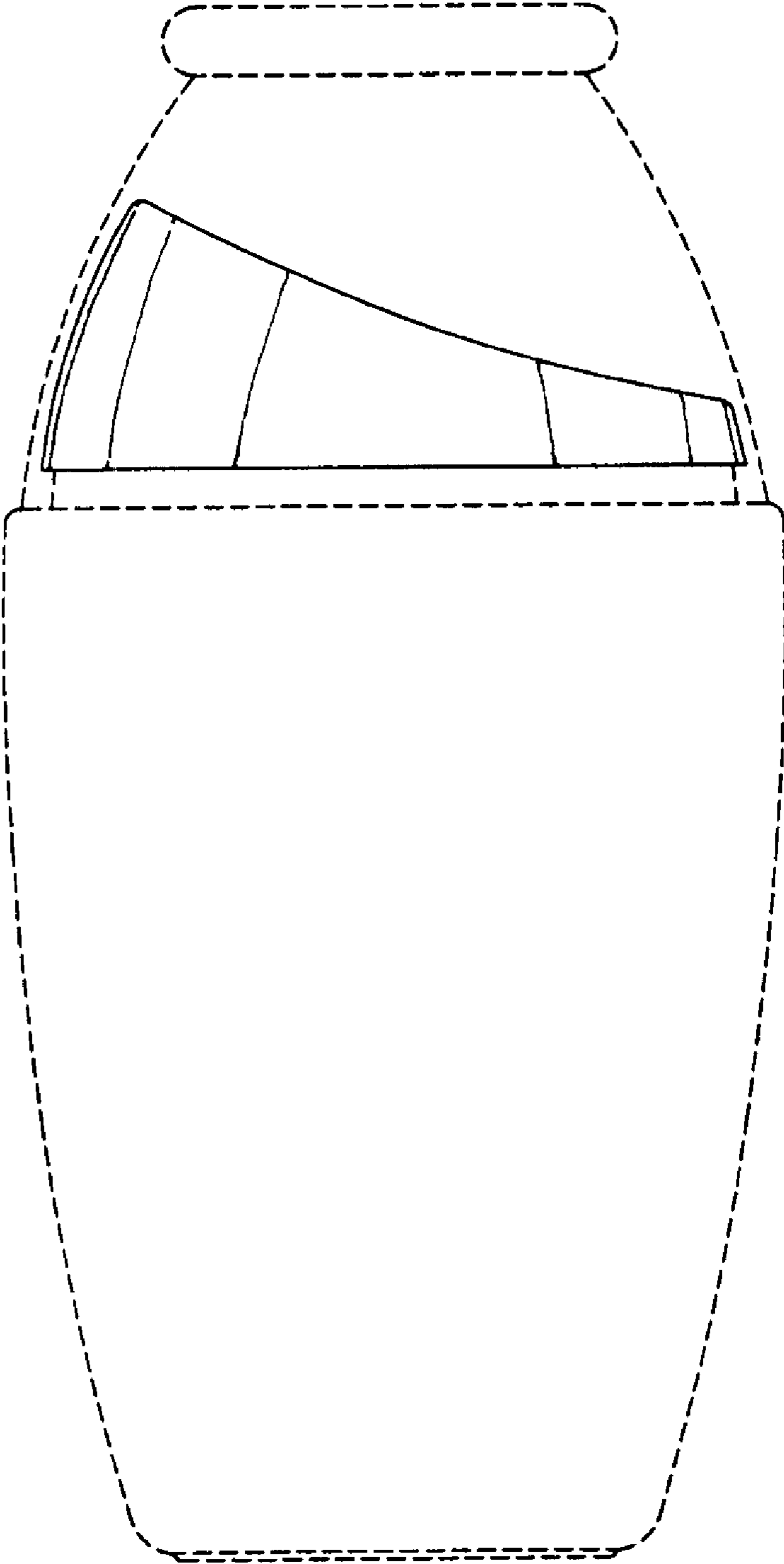


FIG. 2

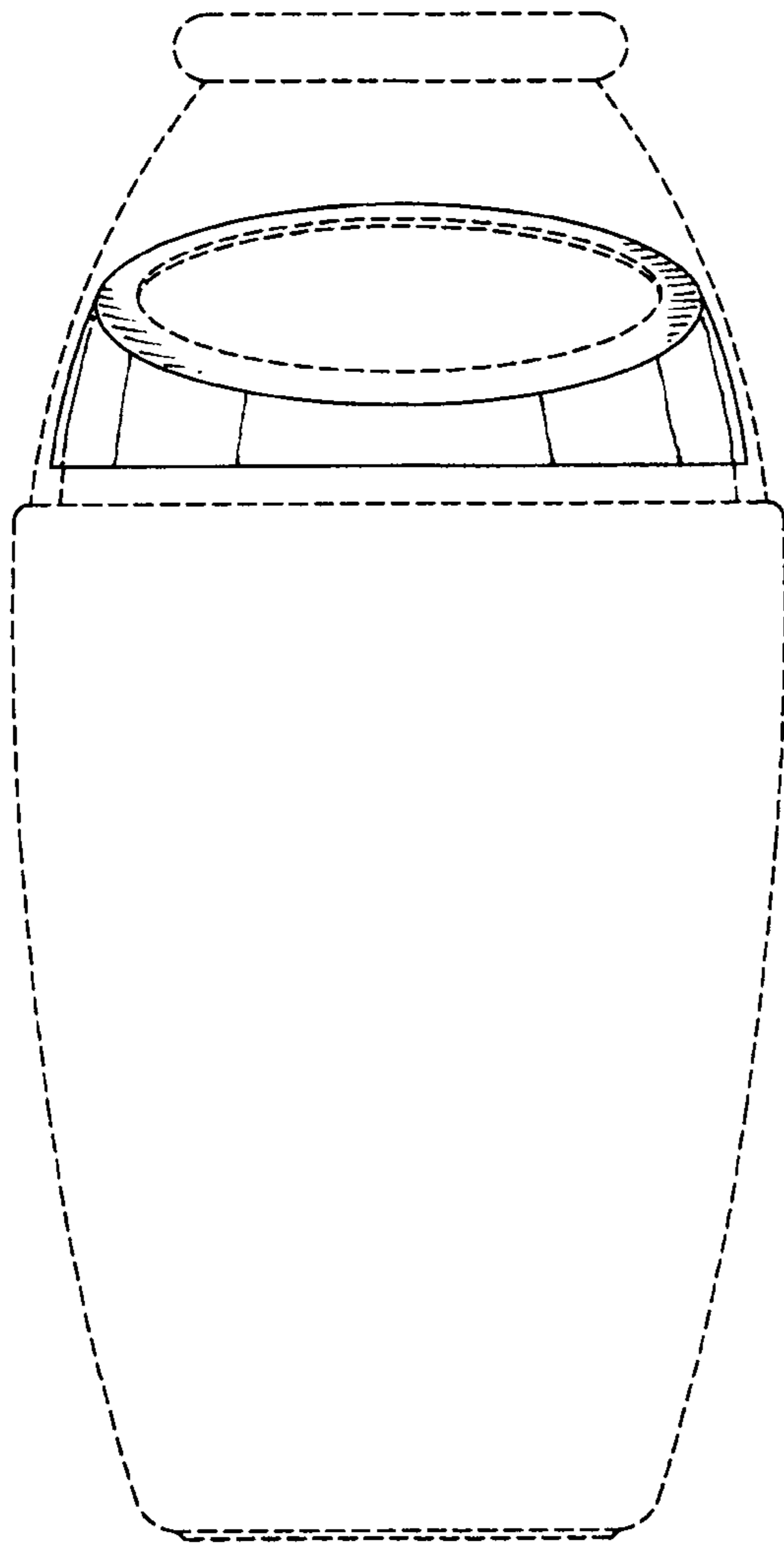


FIG. 3

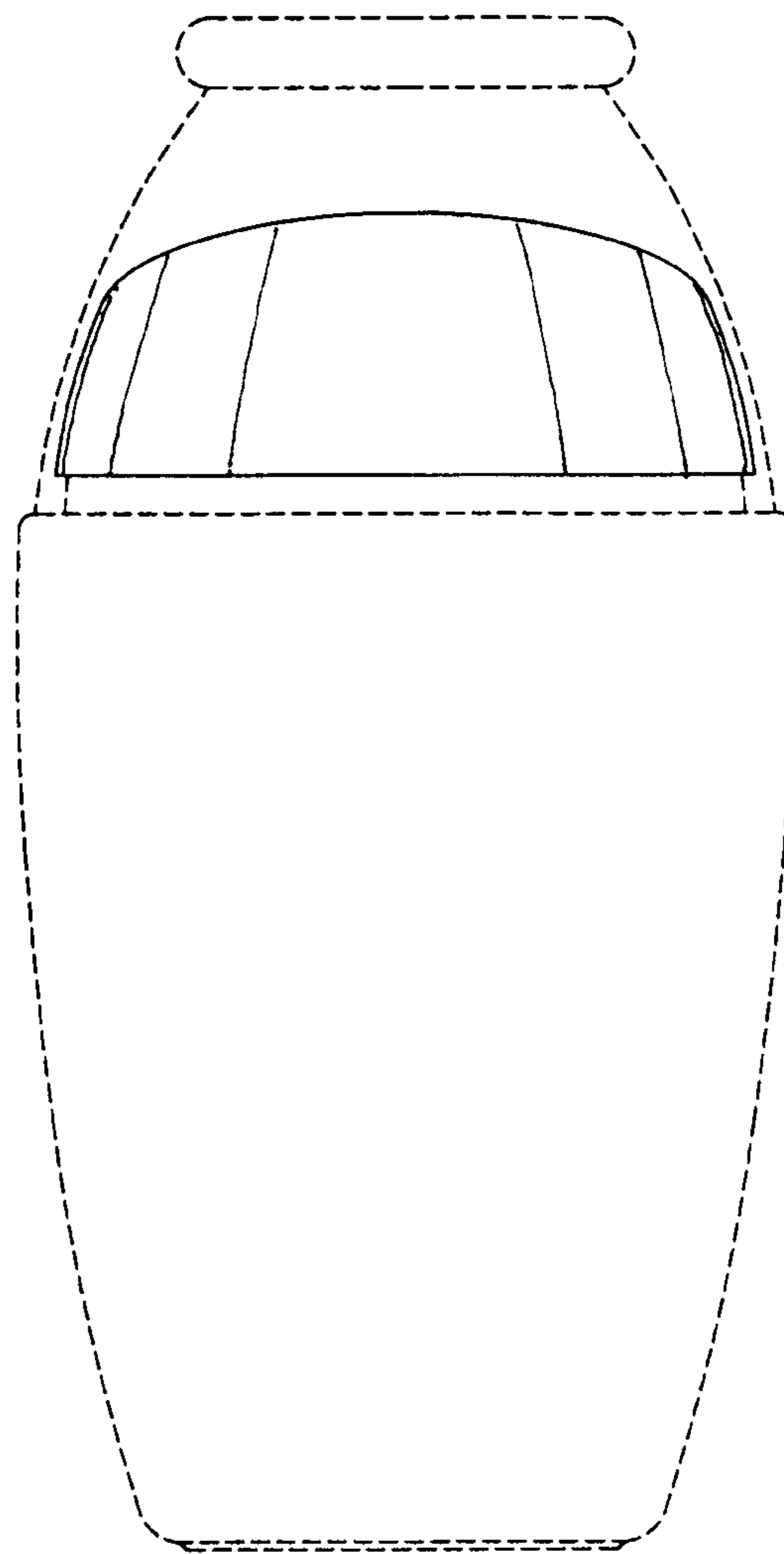


FIG. 4

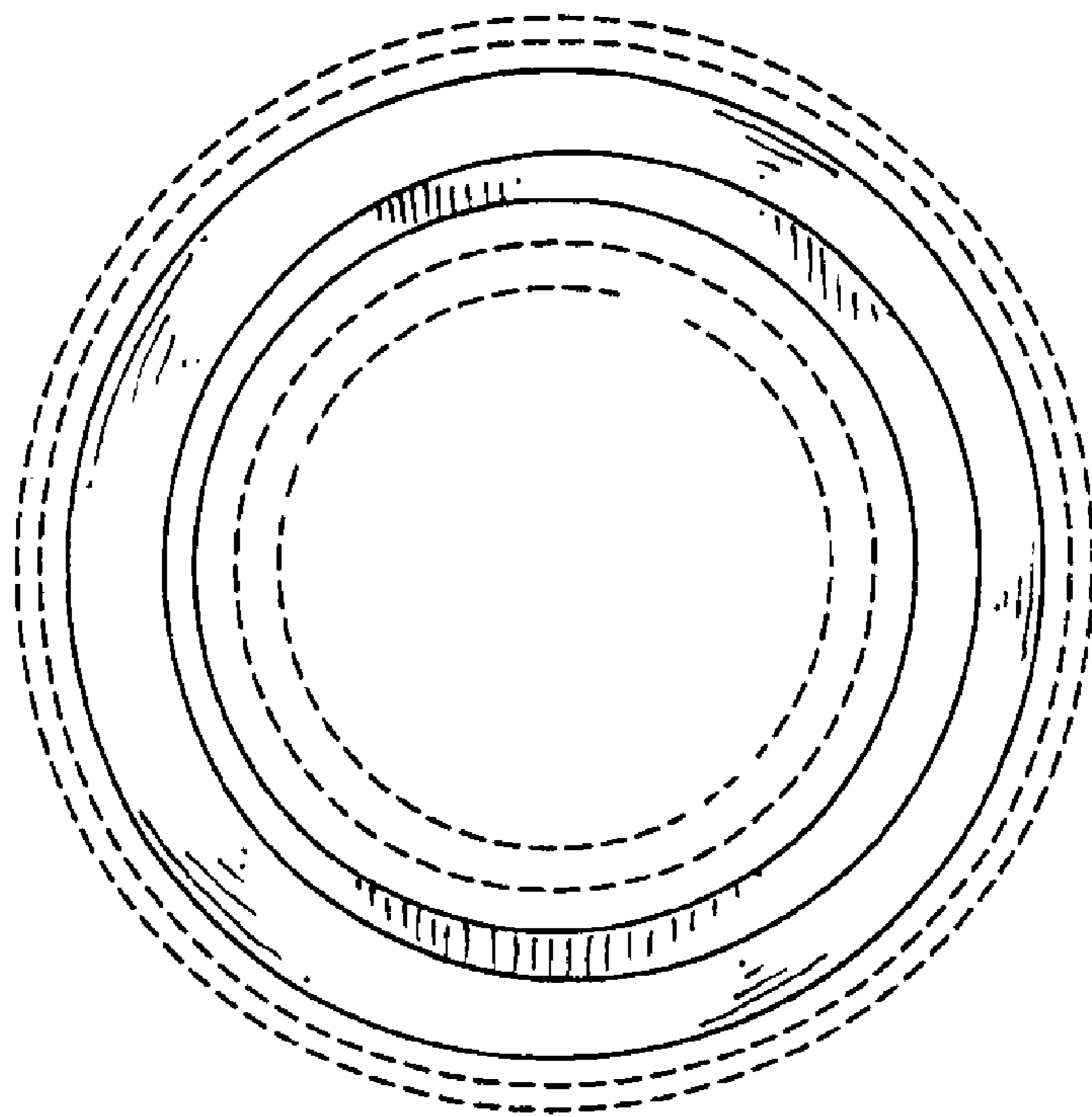


FIG. 5

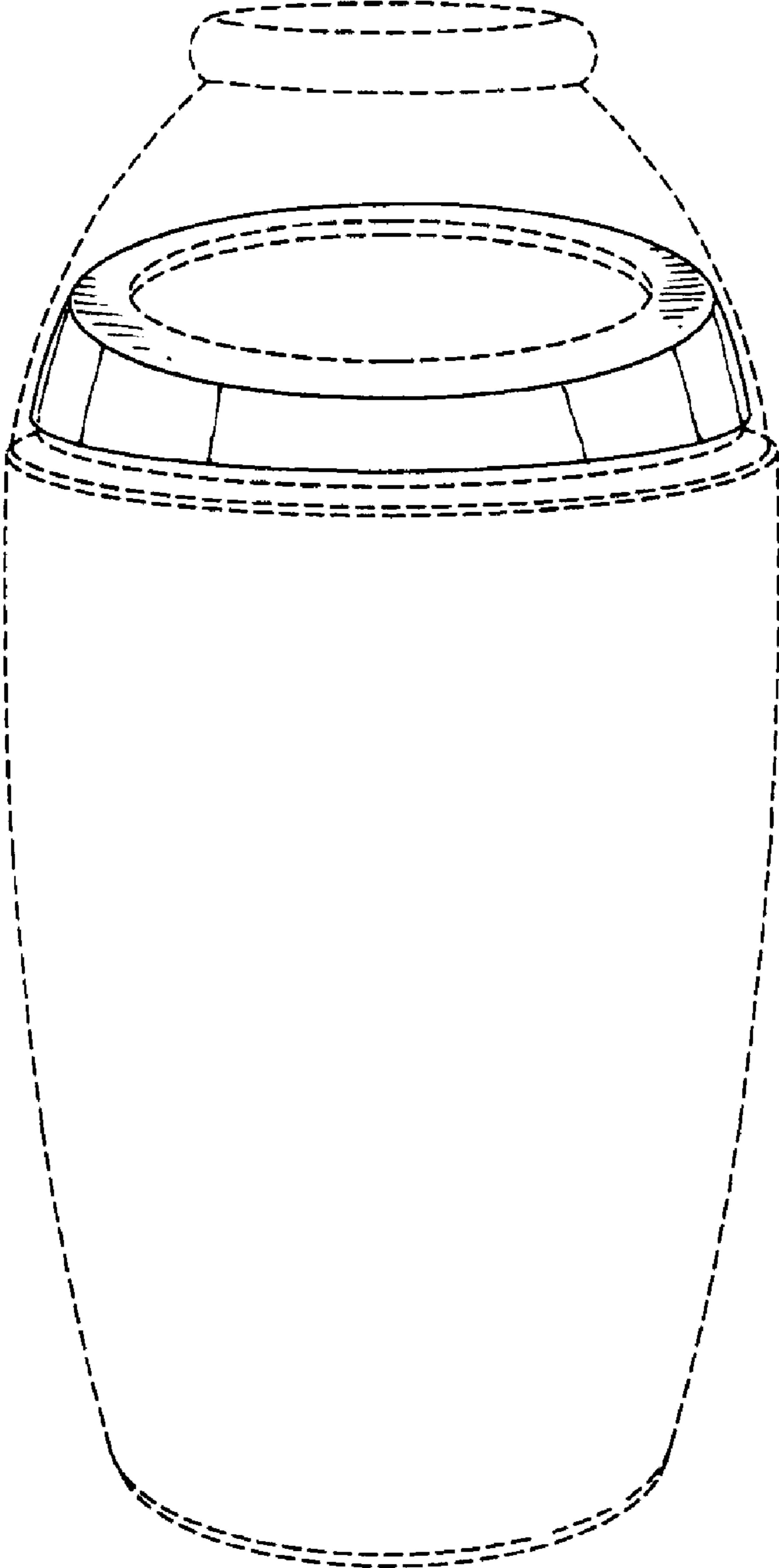


FIG. 6