



US00D516870S

(12) **United States Design Patent** (10) **Patent No.:** **US D516,870 S**
Martinez et al. (45) **Date of Patent:** **** Mar. 14, 2006**

(54) **MULTI-COMPARTMENT INSULATIVE CARRYING CASE**

(75) Inventors: **Anthony Martinez**, Chicago, IL (US); **John Allen**, Sarasota, FL (US)

(73) Assignee: **WKI Holding Company, Inc.**, Rosemont, IL (US)

(**) Term: **14 Years**

(21) Appl. No.: **29/219,071**

(22) Filed: **Dec. 10, 2004**

(51) **LOC (8) Cl.** **07-01**

(52) **U.S. Cl.** **D7/607; D3/289**

(58) **Field of Classification Search** D7/605–608, D7/709, 710; D3/273, 276, 283–287, 289; 62/457.1–457.9; 150/112, 117; 190/108–110, 190/112; 220/592.23–592.25, 592.2, 915.1, 220/915.2; 383/6, 42, 97, 110, 111

See application file for complete search history.

(56) **References Cited**

U.S. PATENT DOCUMENTS

2,087,951 A	7/1937	Jarvis	
4,081,061 A	3/1978	Tucker	
4,932,506 A	6/1990	Kim	
4,984,906 A *	1/1991	Little	383/110
D340,387 S *	10/1993	Melk	D7/607
5,423,404 A	6/1995	Shaw	
5,509,515 A	4/1996	Guo	
D382,771 S *	8/1997	Mogil	D7/607
D403,926 S *	1/1999	Sutton	D7/607
D412,267 S *	7/1999	Anderson	D7/605
D433,885 S	11/2000	Daw	
6,179,102 B1 *	1/2001	Weber et al.	190/110
6,213,267 B1	4/2001	Miller	
6,247,328 B1	6/2001	Mogil	
D467,427 S	12/2002	Wolf	
D472,431 S	4/2003	Spence, Jr.	
D474,649 S	5/2003	Spence, Jr.	
6,582,124 B1	6/2003	Mogil	
6,644,063 B1	11/2003	Mogil	

OTHER PUBLICATIONS

Photographs of Pyrex Portables Single Carrier—sold prior to Dec. 10, 2003.

Photographs of Anchor Hacking Carrier—sold prior to Dec. 10, 2003.

* cited by examiner

Primary Examiner—Terry A. Wallace

(74) *Attorney, Agent, or Firm*—Wallenstein Wagner & Rockey, Ltd.

(57) **CLAIM**

We claim the ornamental design for a multi-compartment insulative carrying case, as shown and described.

DESCRIPTION

FIG. 1 is a perspective view of a multi-compartment insulative carrying case according to the new design with one compartment shown in an open position;

FIG. 2 is a top view of the insulative carrying case as shown in FIG. 1;

FIG. 3 is a front view of the insulative carrying case as shown in FIG. 1;

FIG. 4 is a rear view of the insulative carrying case as shown in FIG. 1;

FIG. 5 is a side elevation view of one side of the insulative carrying case shown in FIG. 1, the other side being identical thereto;

FIG. 6 is a bottom view of the insulative carrying case shown in FIG. 1;

FIG. 7 is a perspective view of the multi-compartment insulative carrying case shown in FIG. 1 with a second compartment shown in an open position;

FIG. 8 is a top view of the insulative carrying case as shown in FIG. 7;

FIG. 9 is a front view of the insulative carrying case as shown in FIG. 7;

FIG. 10 is a rear view of the insulative carrying case as shown in FIG. 7;

FIG. 11 is a side elevation view of one side of the insulative carrying case as shown in FIG. 7, the other side being identical thereto; and,

FIG. 12 is a bottom view of the insulative carrying case shown in FIG. 7.

Features shown in broken lines in the drawings are not part of the claim.

1 Claim, 6 Drawing Sheets

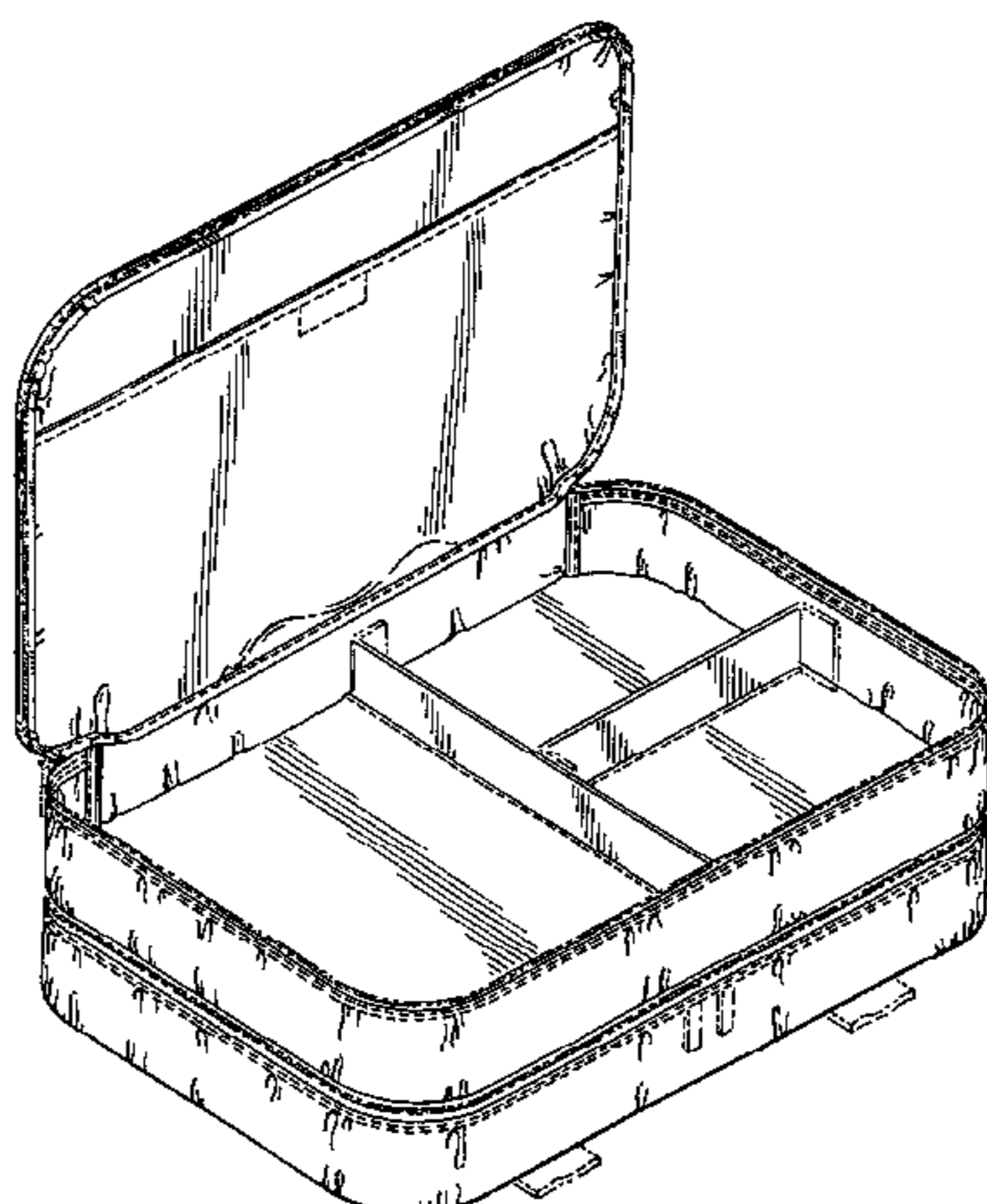


FIG. 1

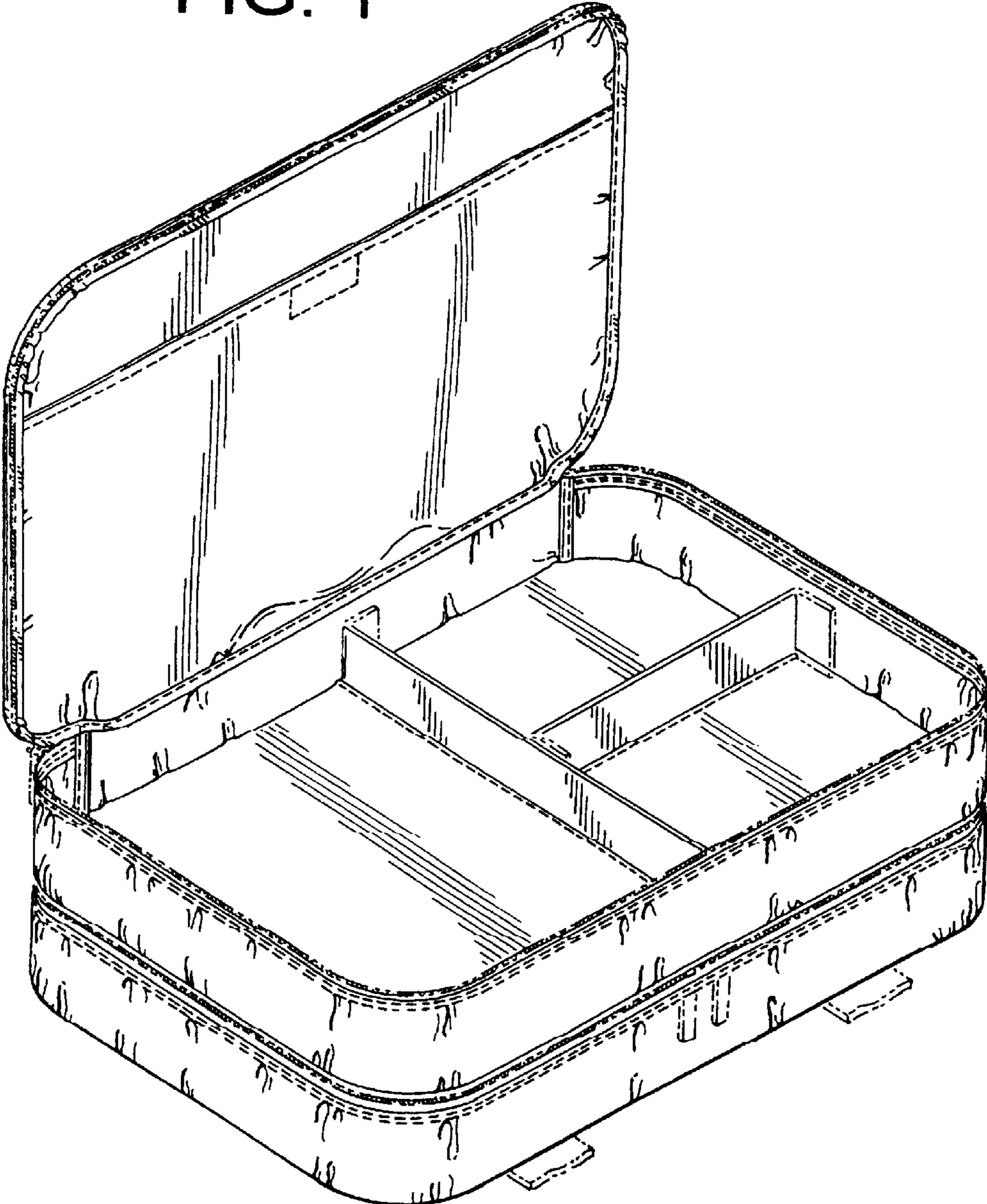


FIG. 2

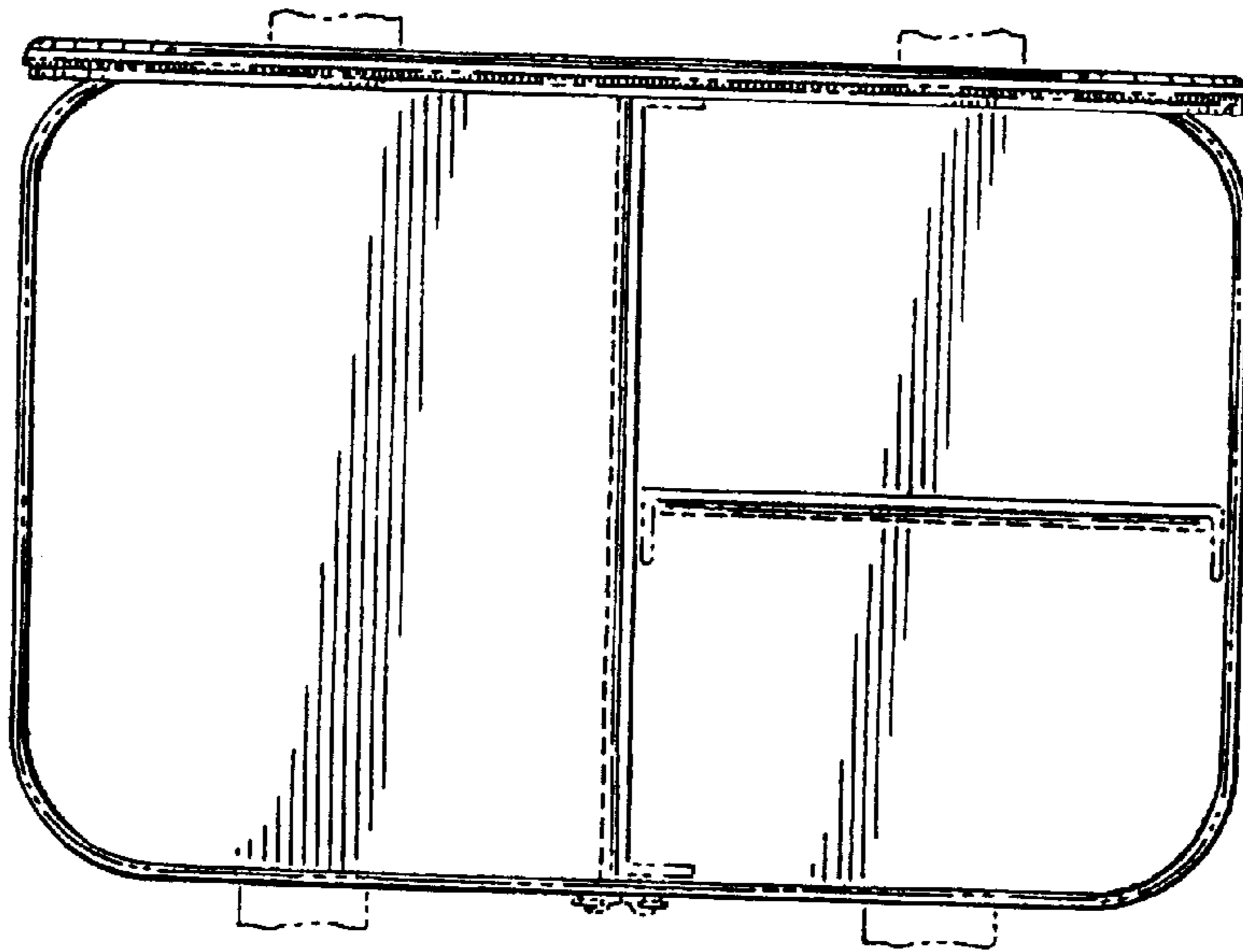


FIG. 3

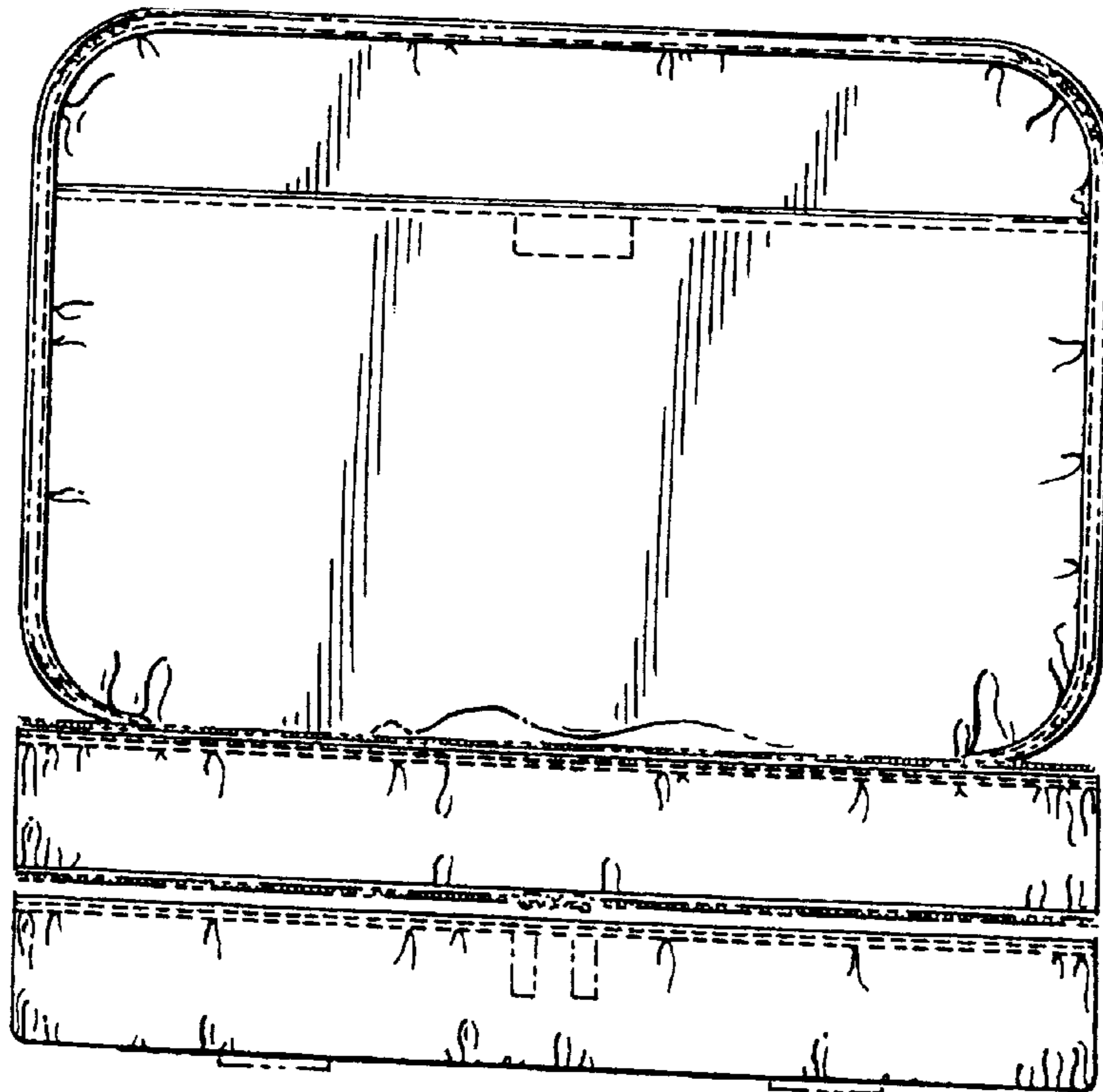


FIG. 4

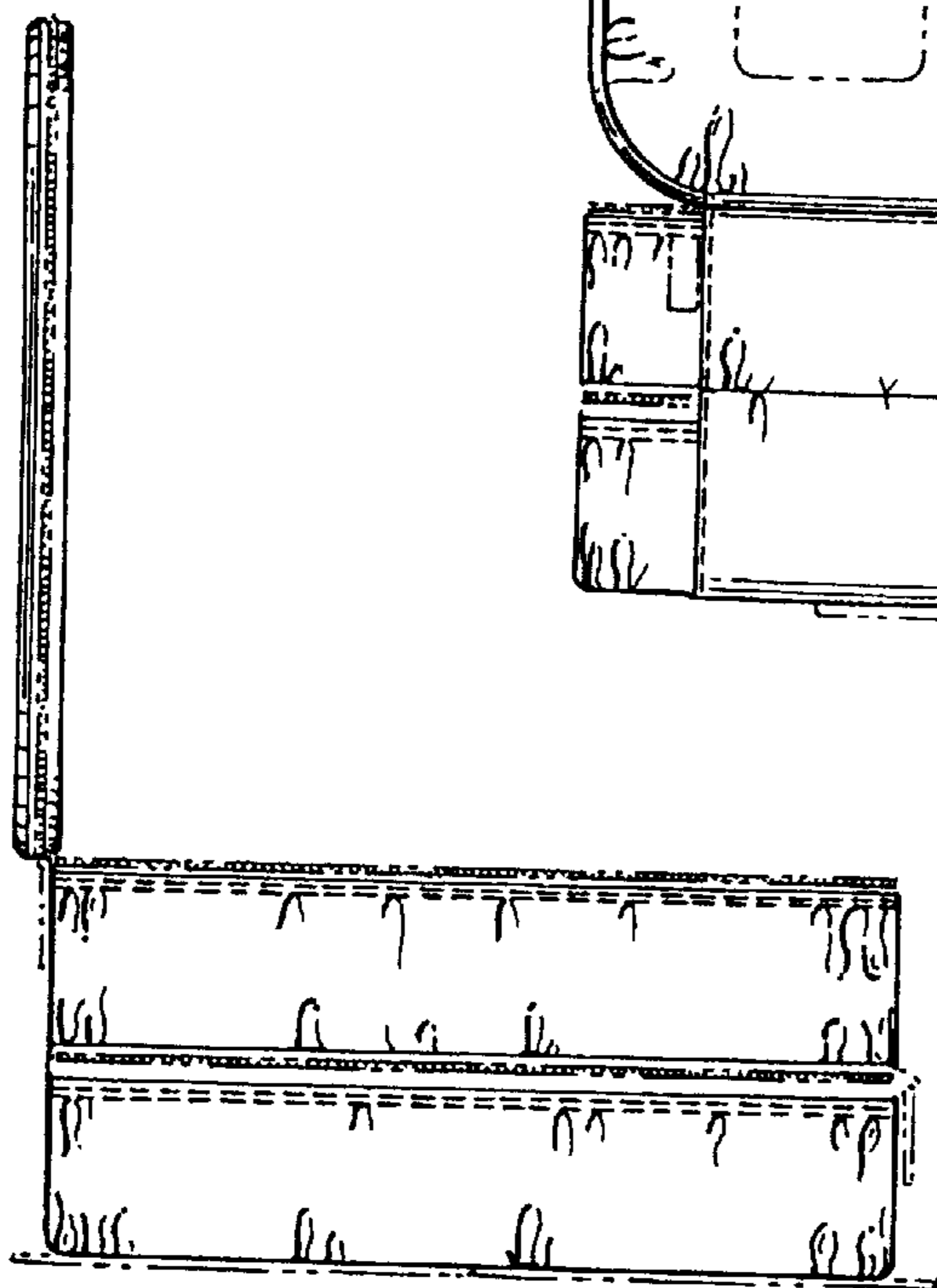
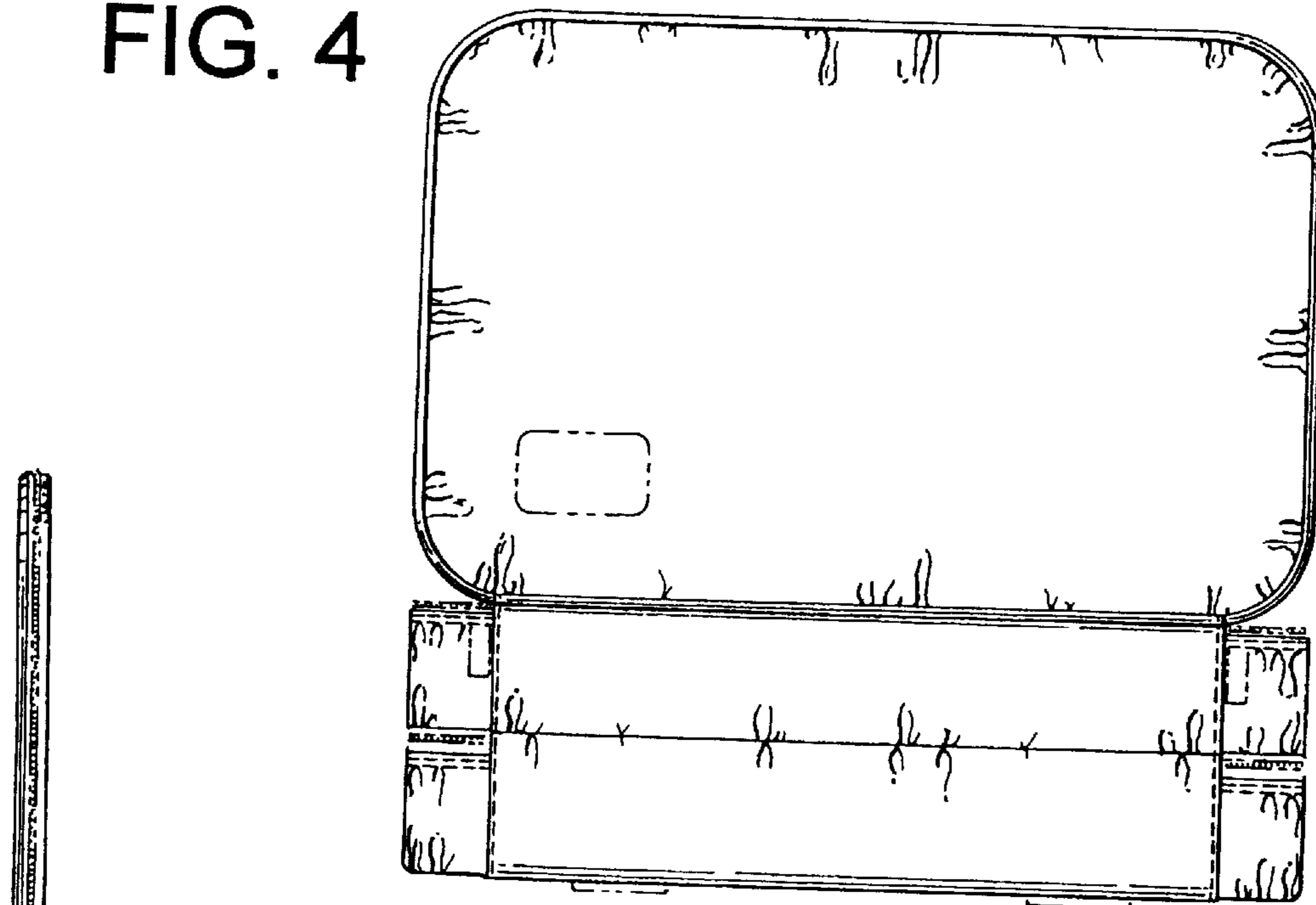


FIG. 5

FIG. 6

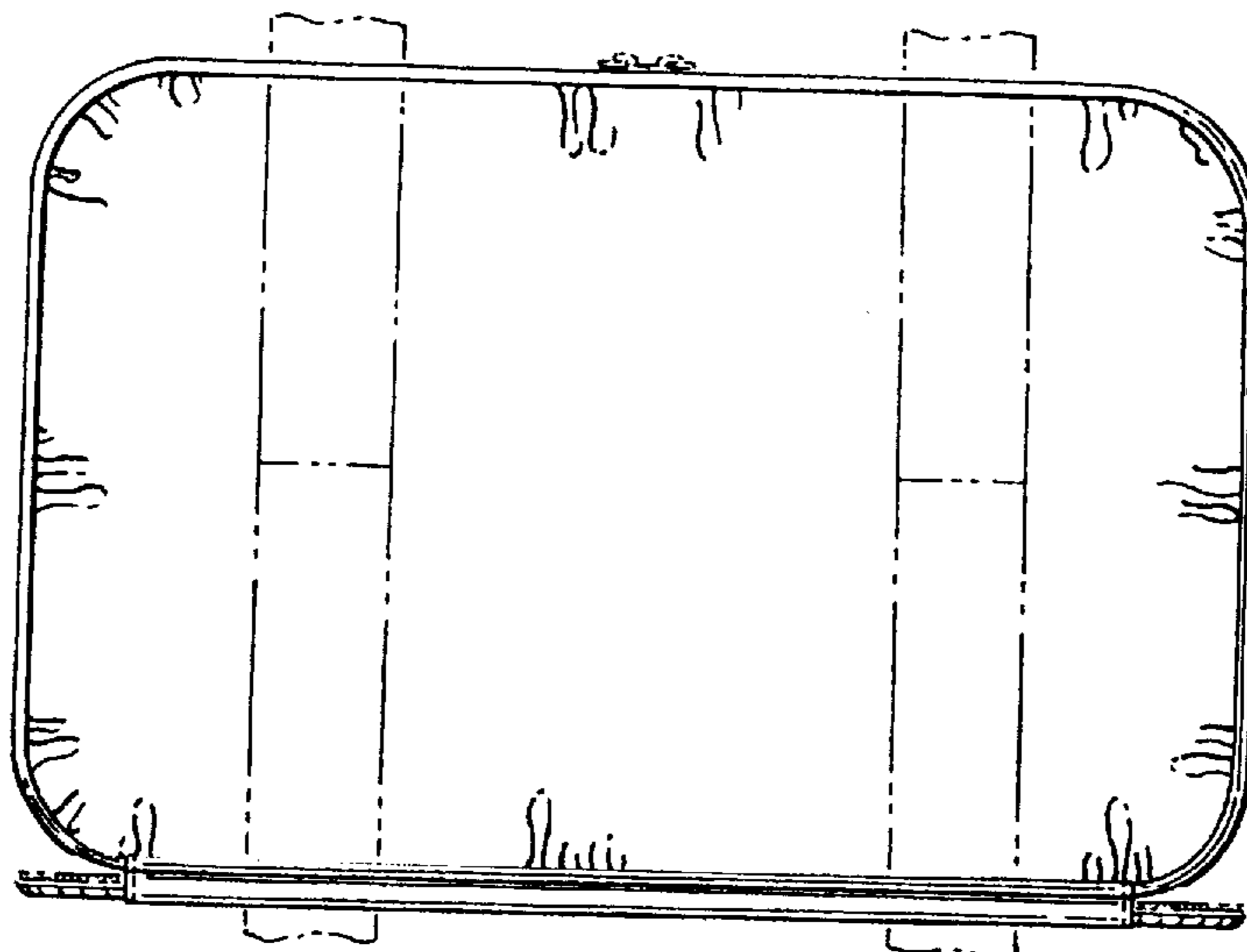


FIG. 7

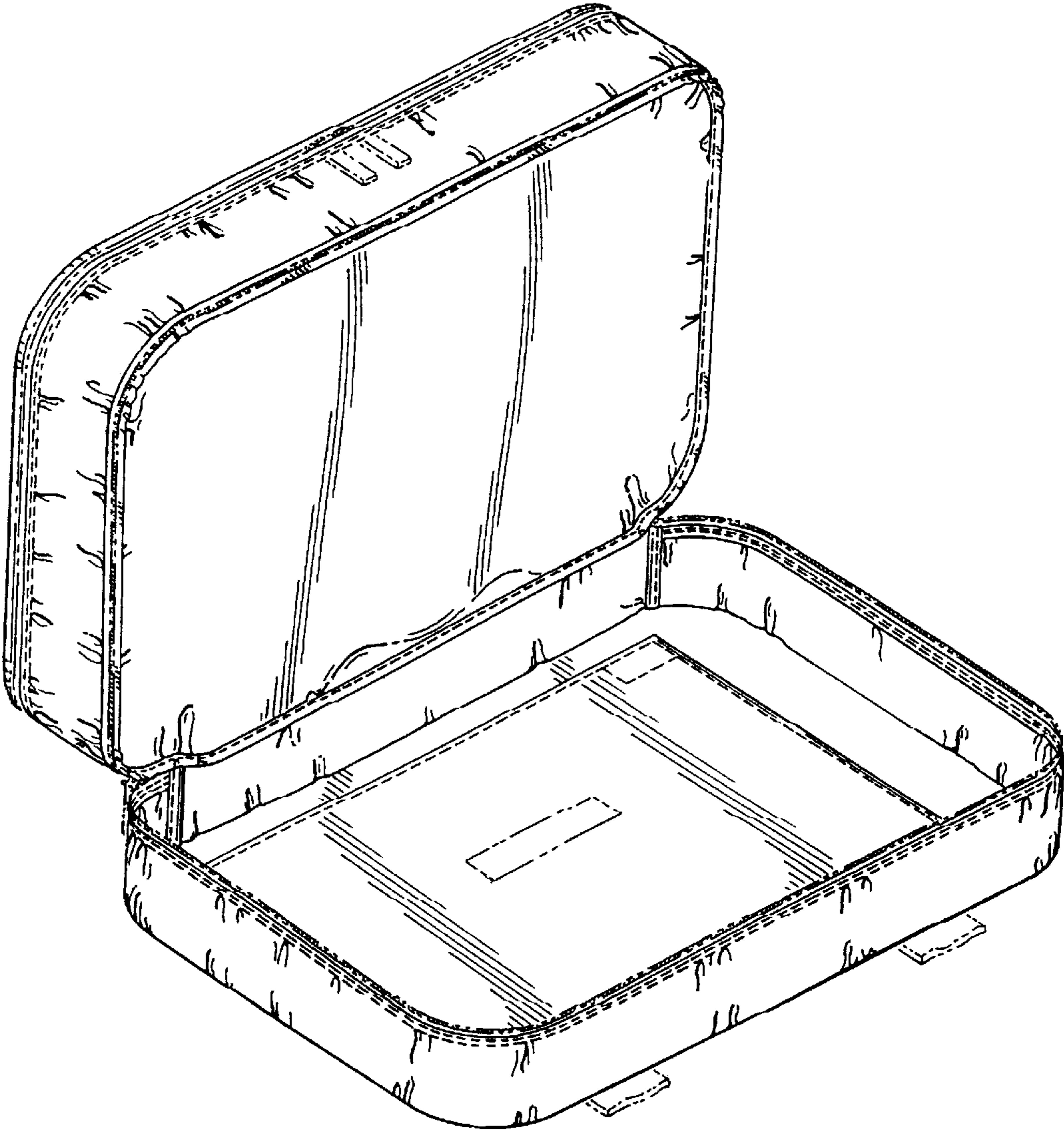


FIG. 8

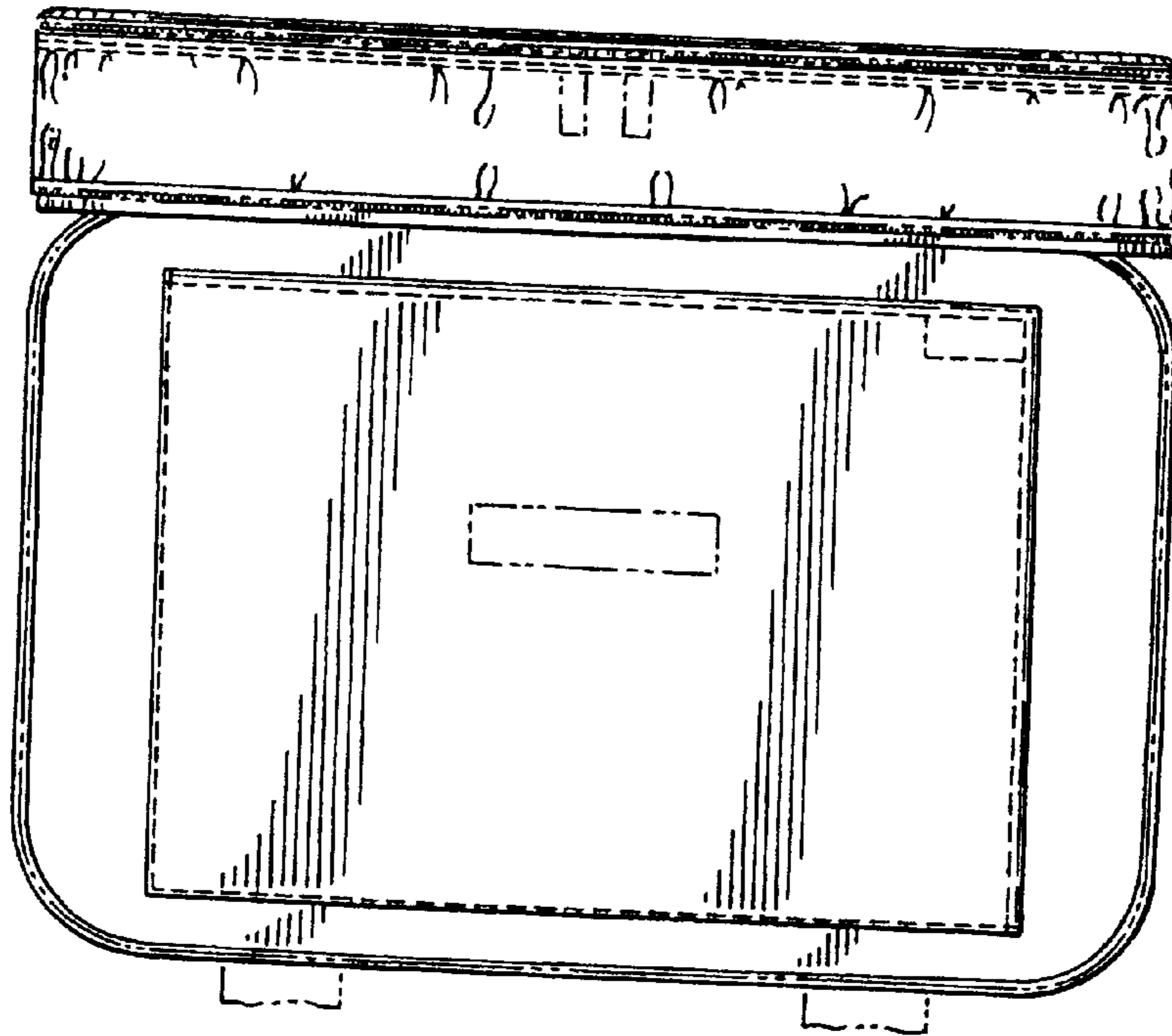


FIG. 9

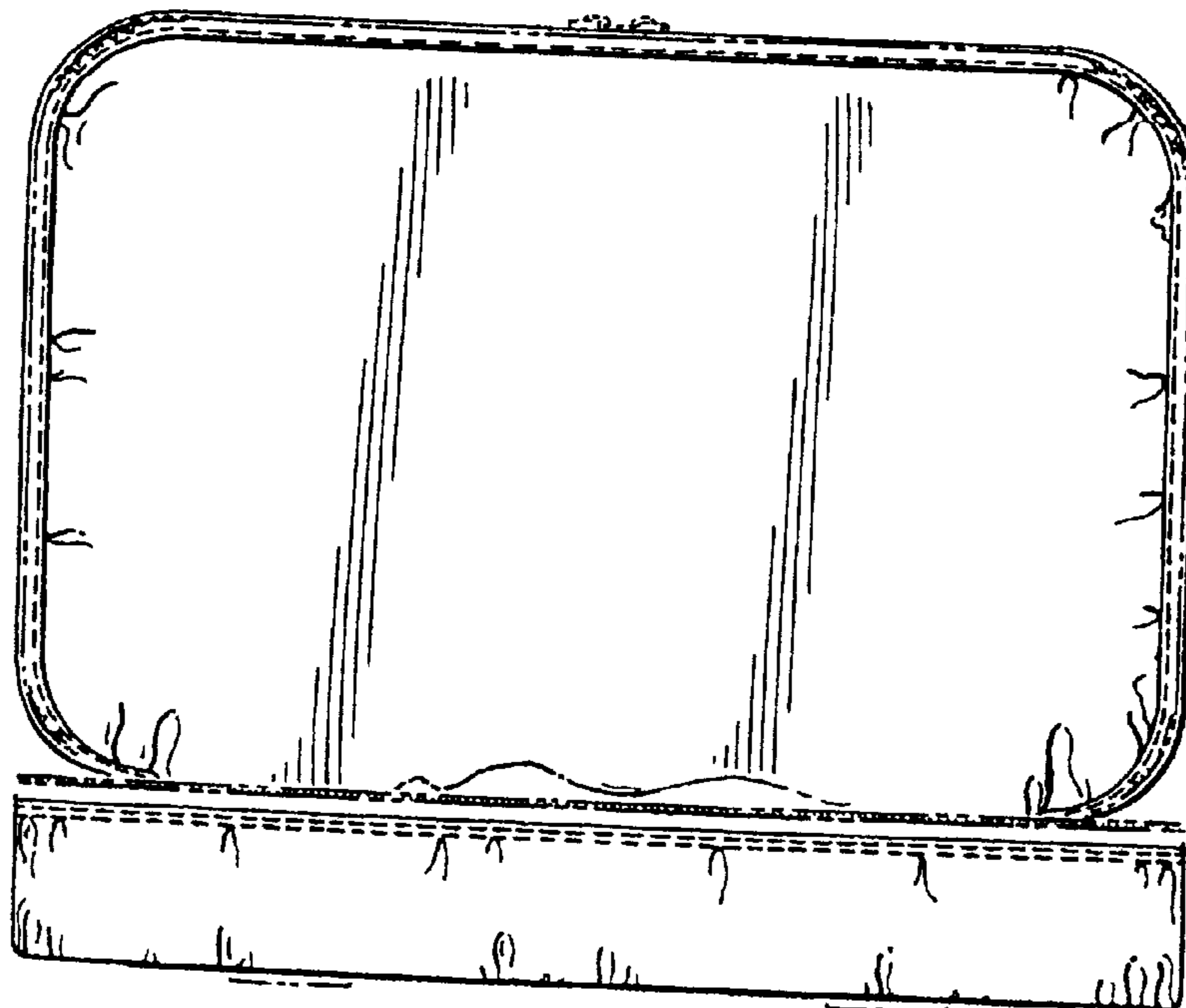


FIG. 10

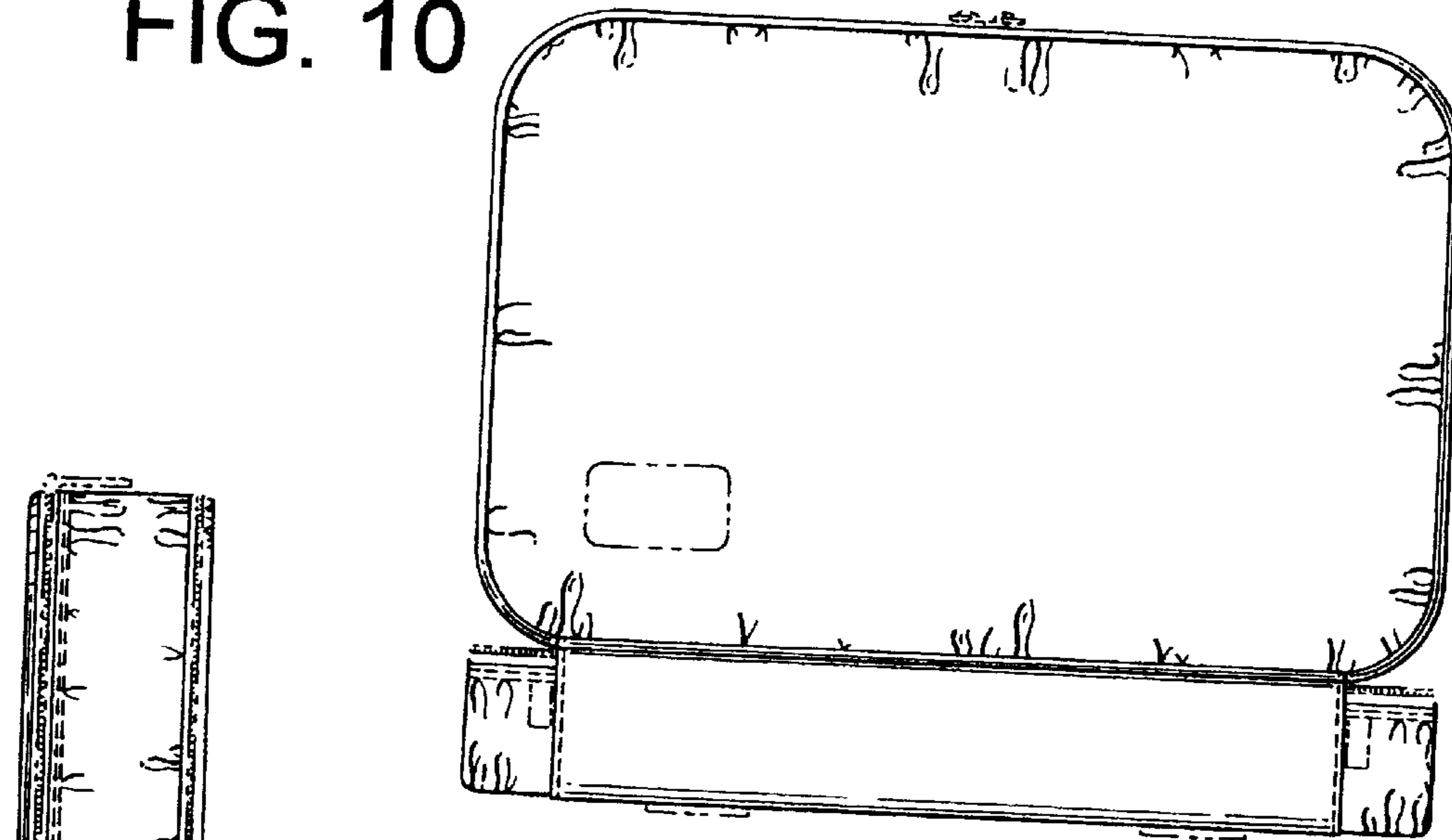


FIG. 11

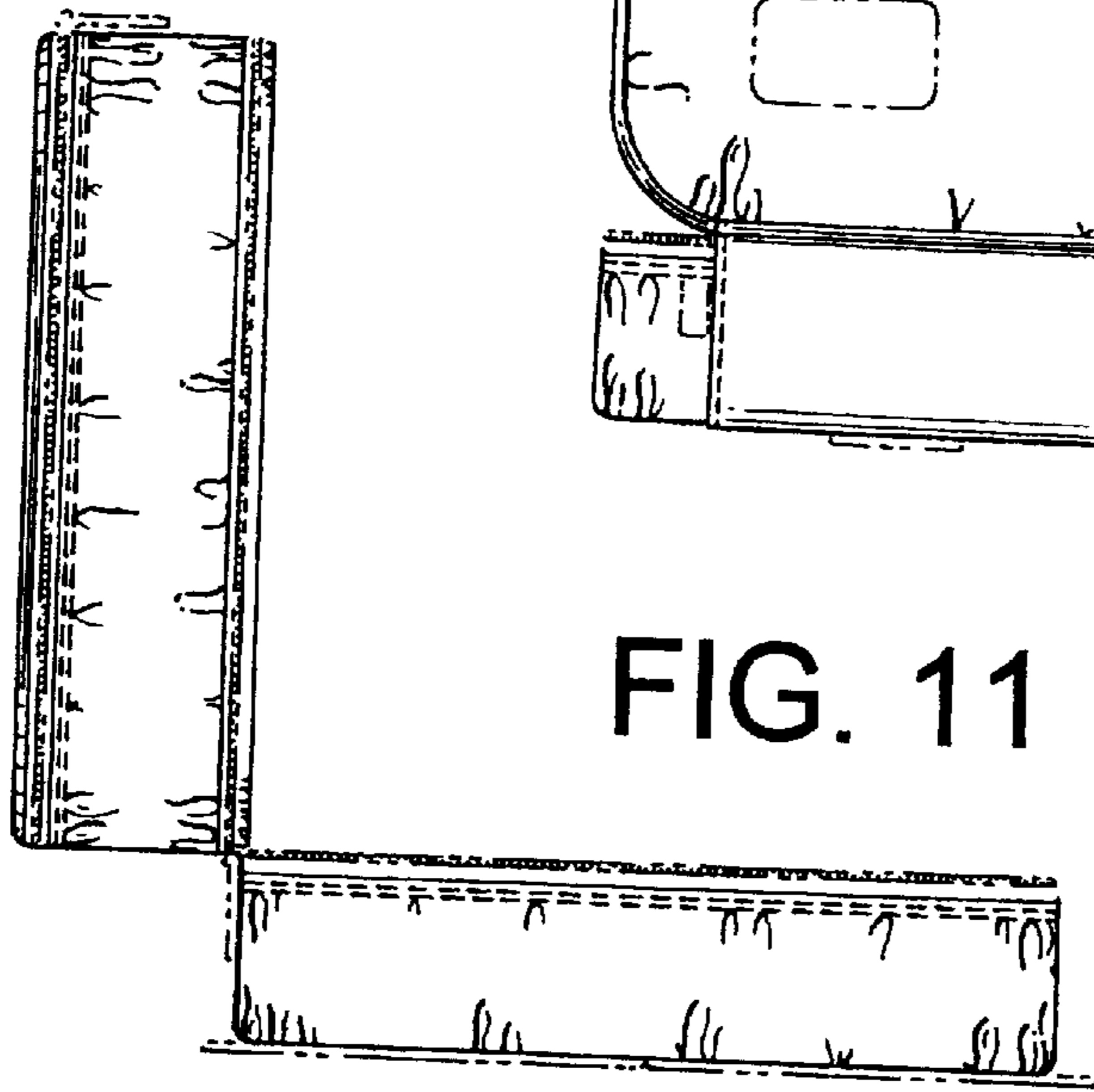


FIG. 12

