



US00D516869S

(12) **United States Design Patent**
Beal

(10) **Patent No.:** **US D516,869 S**
(45) **Date of Patent:** **** Mar. 14, 2006**

(54) **MOBILE INSULATED RECEPTACLE**

D477,501 S * 7/2003 Coleman et al. D7/605

(76) Inventor: **Kevin Beal**, 401 N. Tumbleweed Trail,
Austin, TX (US) 78733

* cited by examiner

(**) Term: **14 Years**

Primary Examiner—Terry A. Wallace
(74) *Attorney, Agent, or Firm*—David Henry

(21) Appl. No.: **29/224,001**

(57) **CLAIM**

(22) Filed: **Feb. 23, 2005**

The ornamental design for a mobile insulated receptacle, as shown.

(51) **LOC (8) Cl.** **07-01**

DESCRIPTION

(52) **U.S. Cl.** **D7/605; D21/423**

(58) **Field of Classification Search** 280/47.17,
280/47.38, 775, 87.01, 62, 88, 92, 30; D7/605–608;
D12/107, 112; D21/423; 62/371, 372, 457.1–457.8;
220/915.1, 915.2, 592.03, 592.09, 592.16,
220/592.2

See application file for complete search history.

FIG. 1 is a perspective view of a mobile insulated receptacle showing my new design.

FIG. 2 is a top view of a mobile insulated receptacle showing my new design.

FIG. 3 is a right view of a mobile insulated receptacle showing my new design.

FIG. 4 is front view of a mobile insulated receptacle showing my new design.

FIG. 5 is a rear view of a mobile insulated receptacle showing my new design.

FIG. 6 is a left view of a mobile insulated receptacle showing my new design; and,

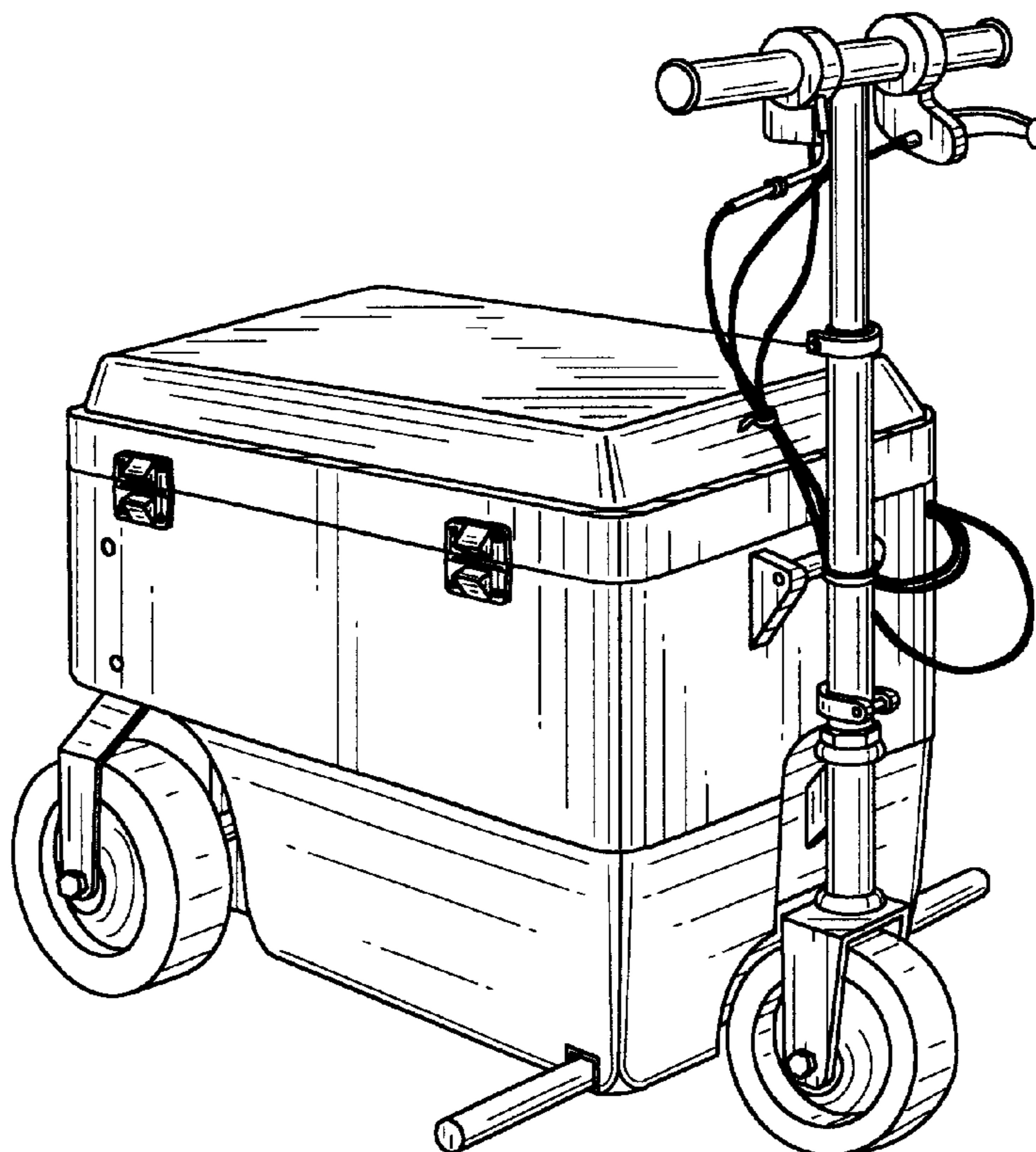
FIG. 7 is bottom view of a mobile insulated receptacle showing my new design.

(56) **References Cited**

U.S. PATENT DOCUMENTS

- D322,198 S * 12/1991 Dringenburg D7/605
- D325,323 S * 4/1992 Kahl D7/605
- 5,407,218 A * 4/1995 Jackson 280/30
- D368,207 S * 3/1996 Januzzi D7/605
- D445,145 S * 7/2001 Yang D21/423
- D454,377 S * 3/2002 Hsu et al. D21/423
- D476,042 S * 6/2003 Hsieh D21/423

1 Claim, 4 Drawing Sheets



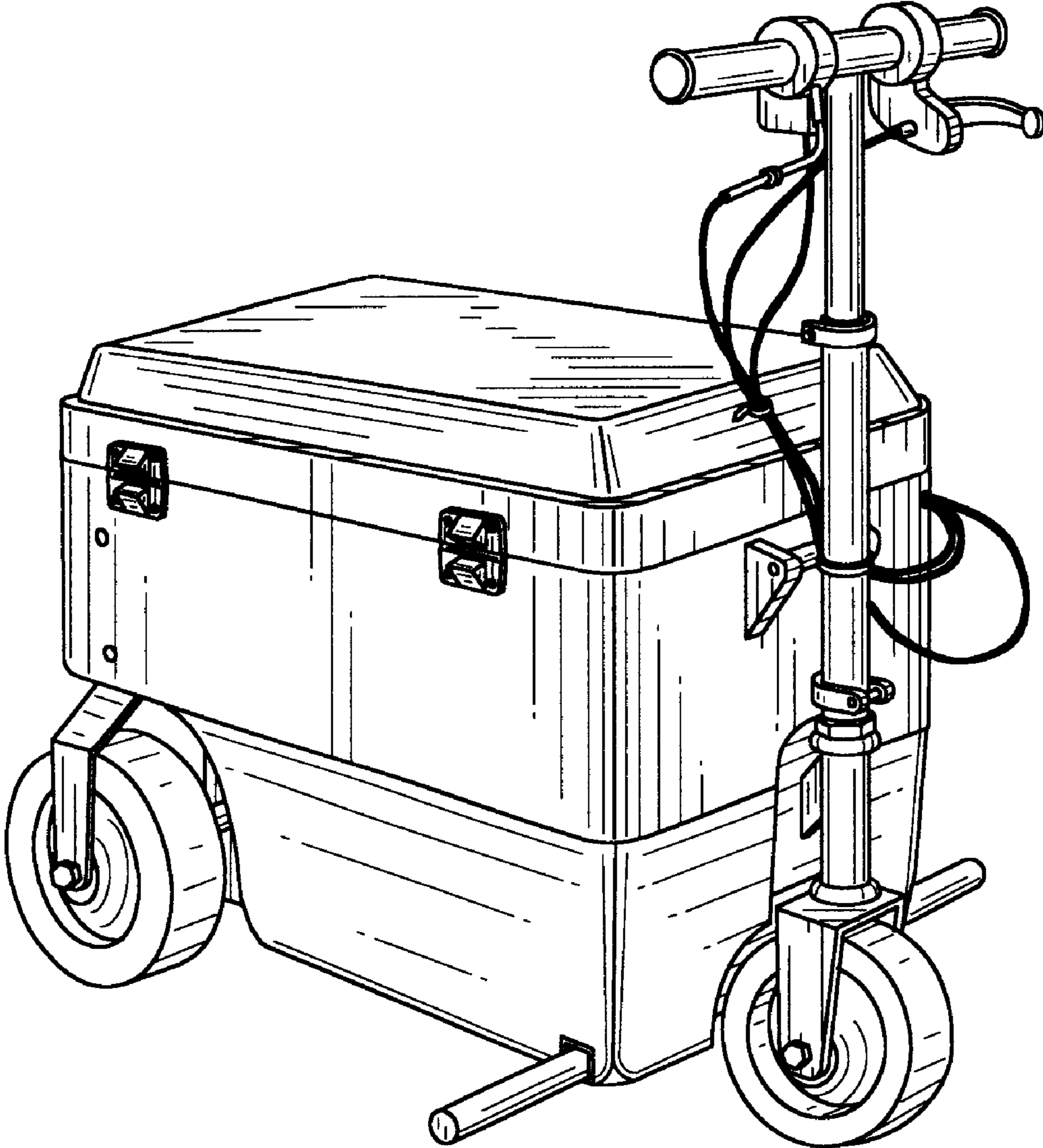


Fig. 1

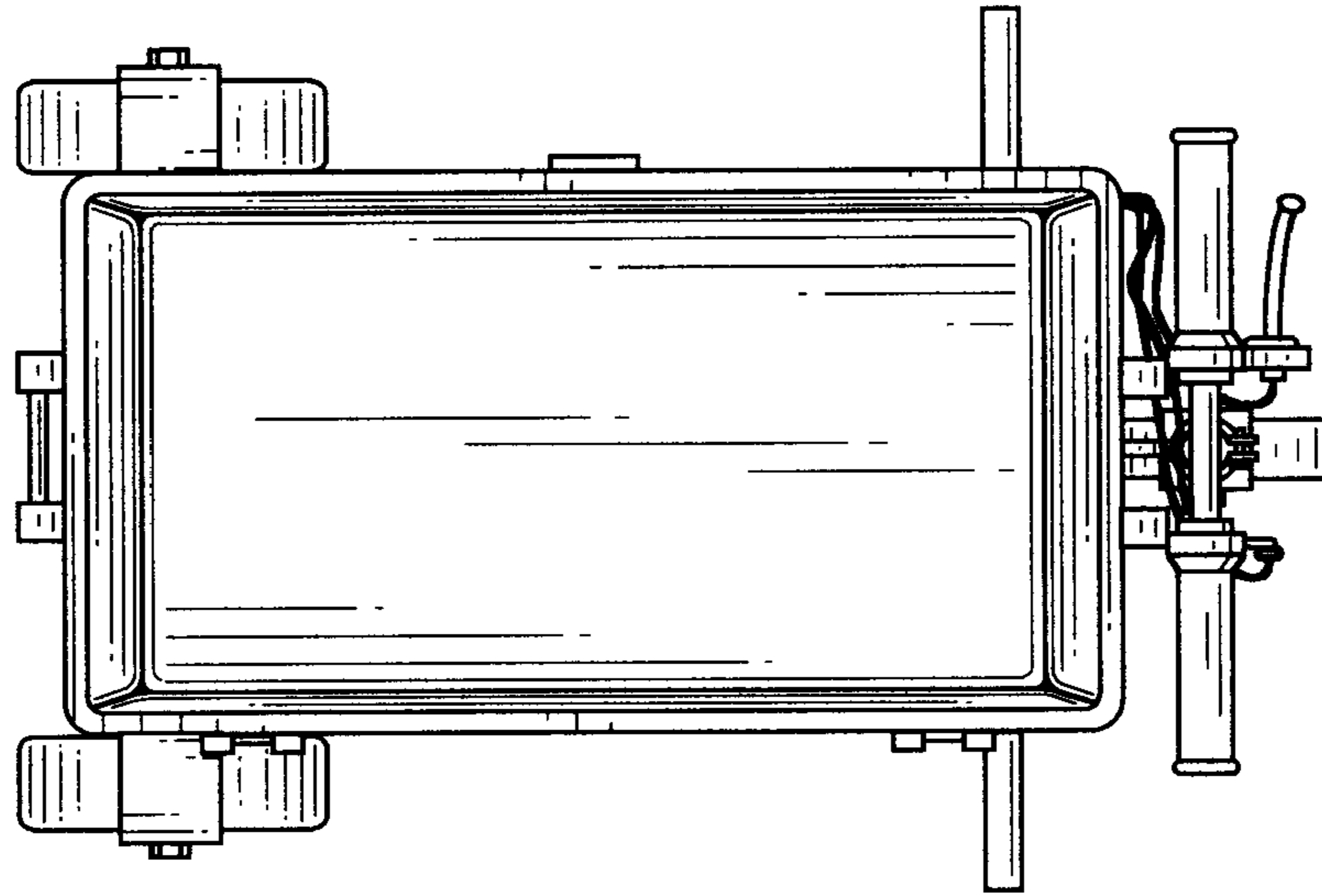


Fig. 2

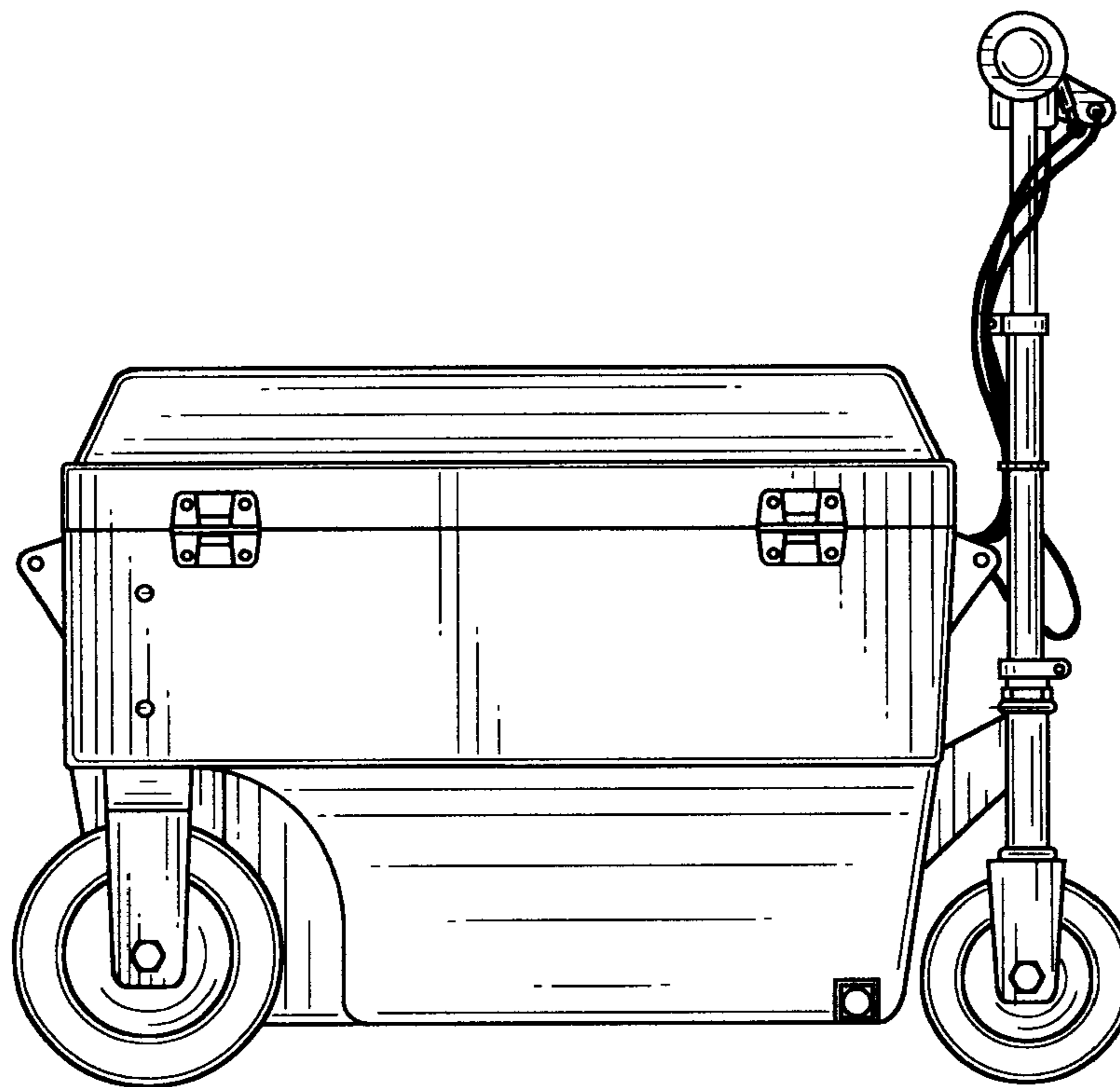


Fig. 3

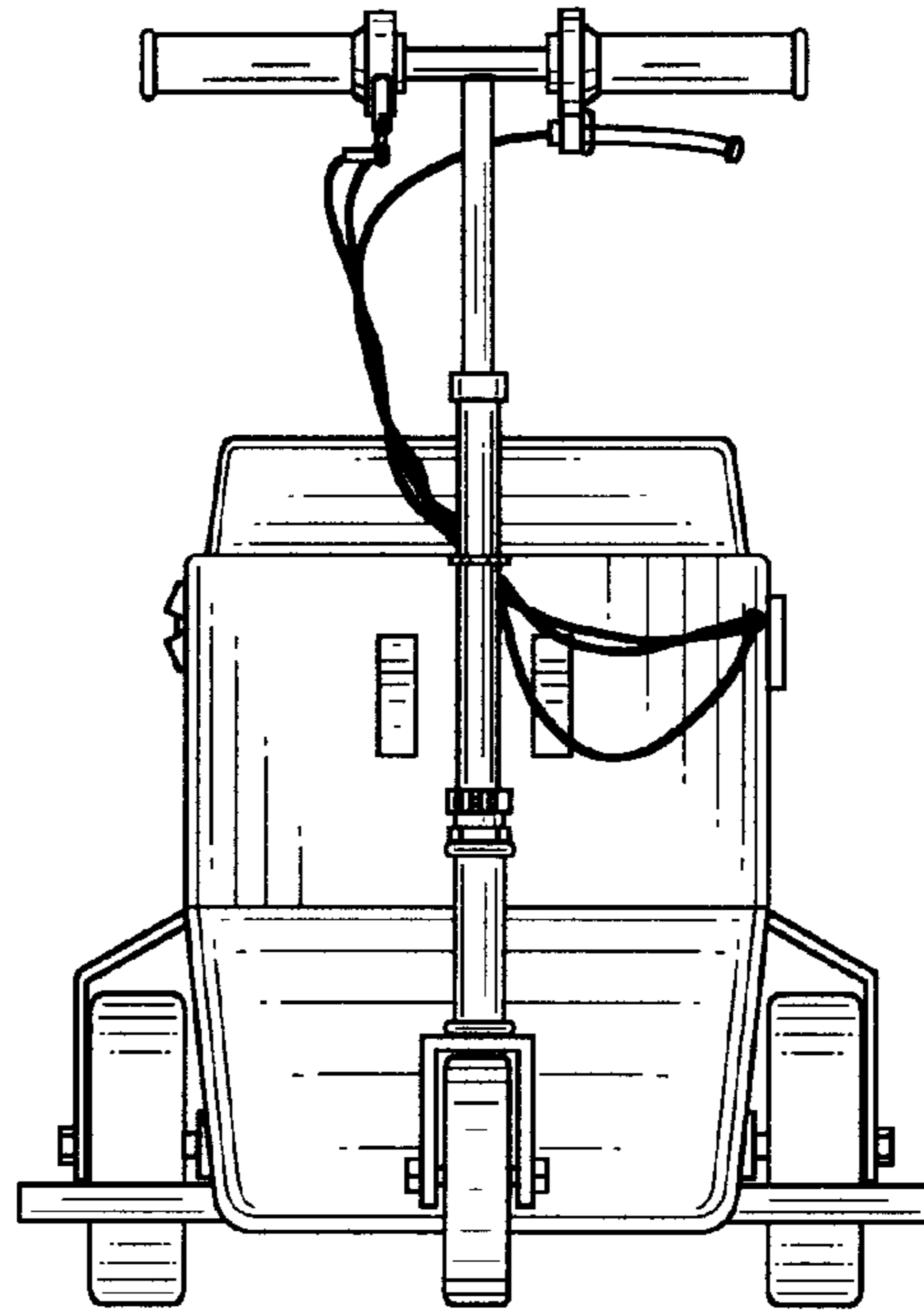


Fig. 4

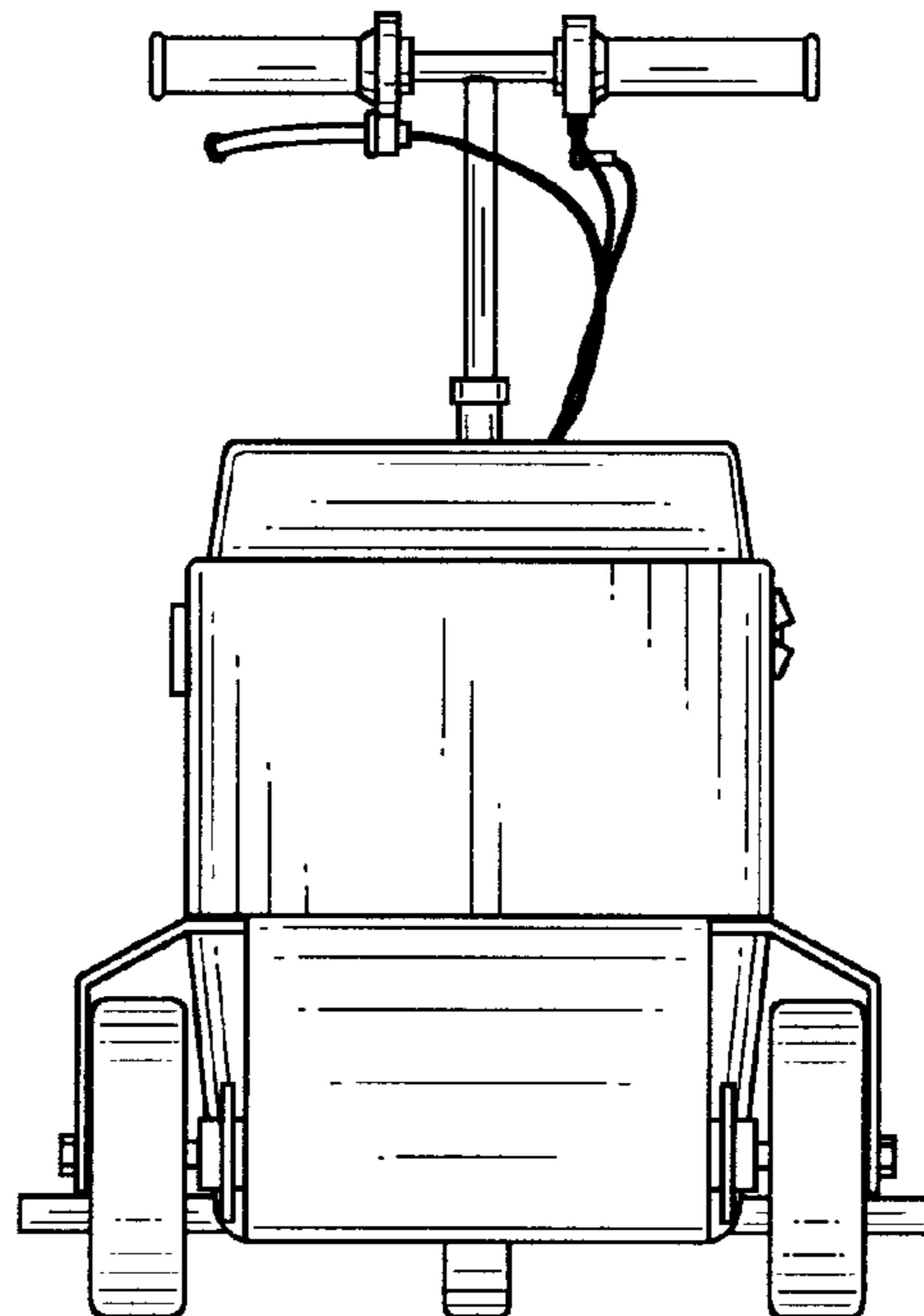


Fig. 5

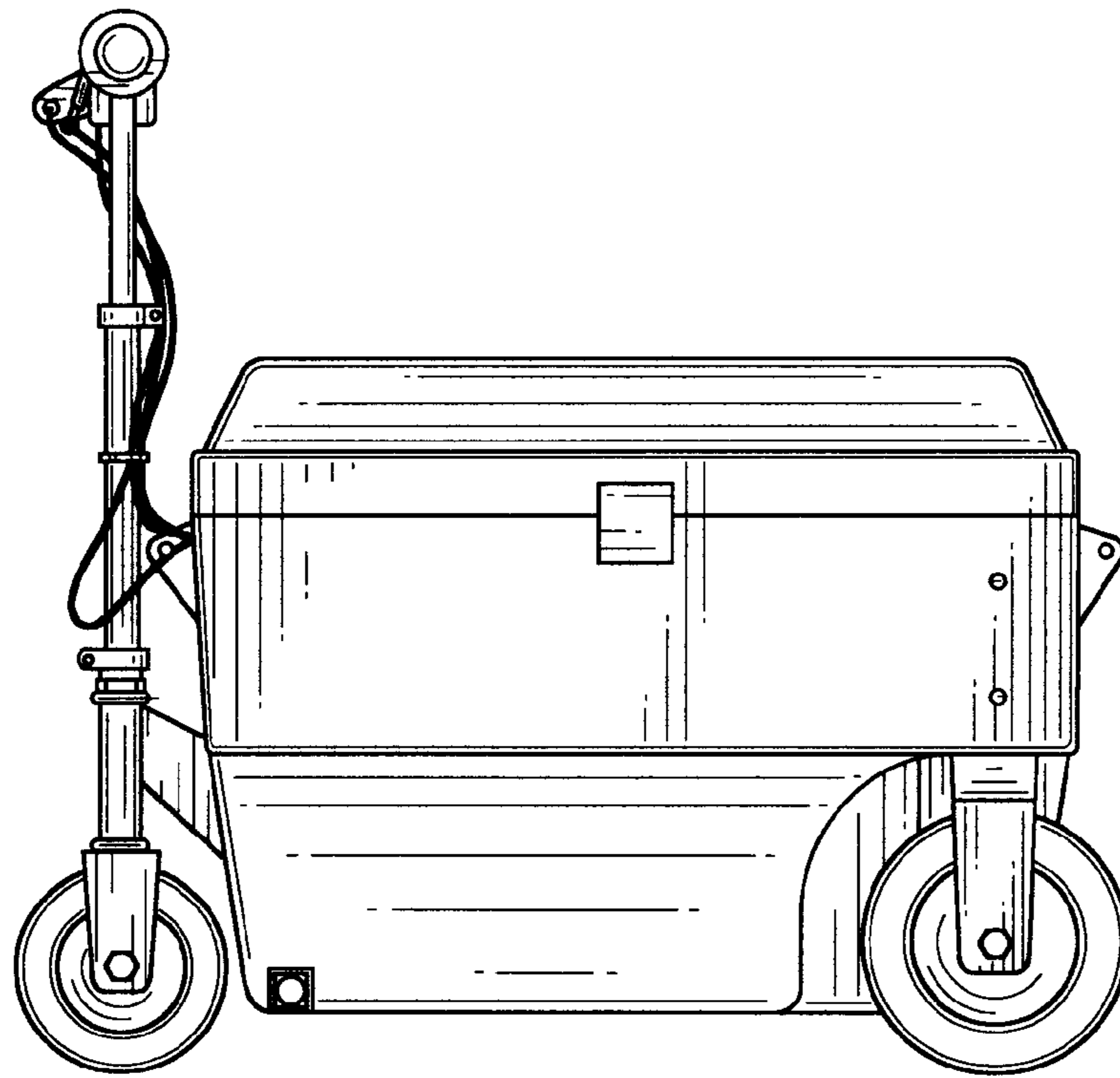


Fig. 6

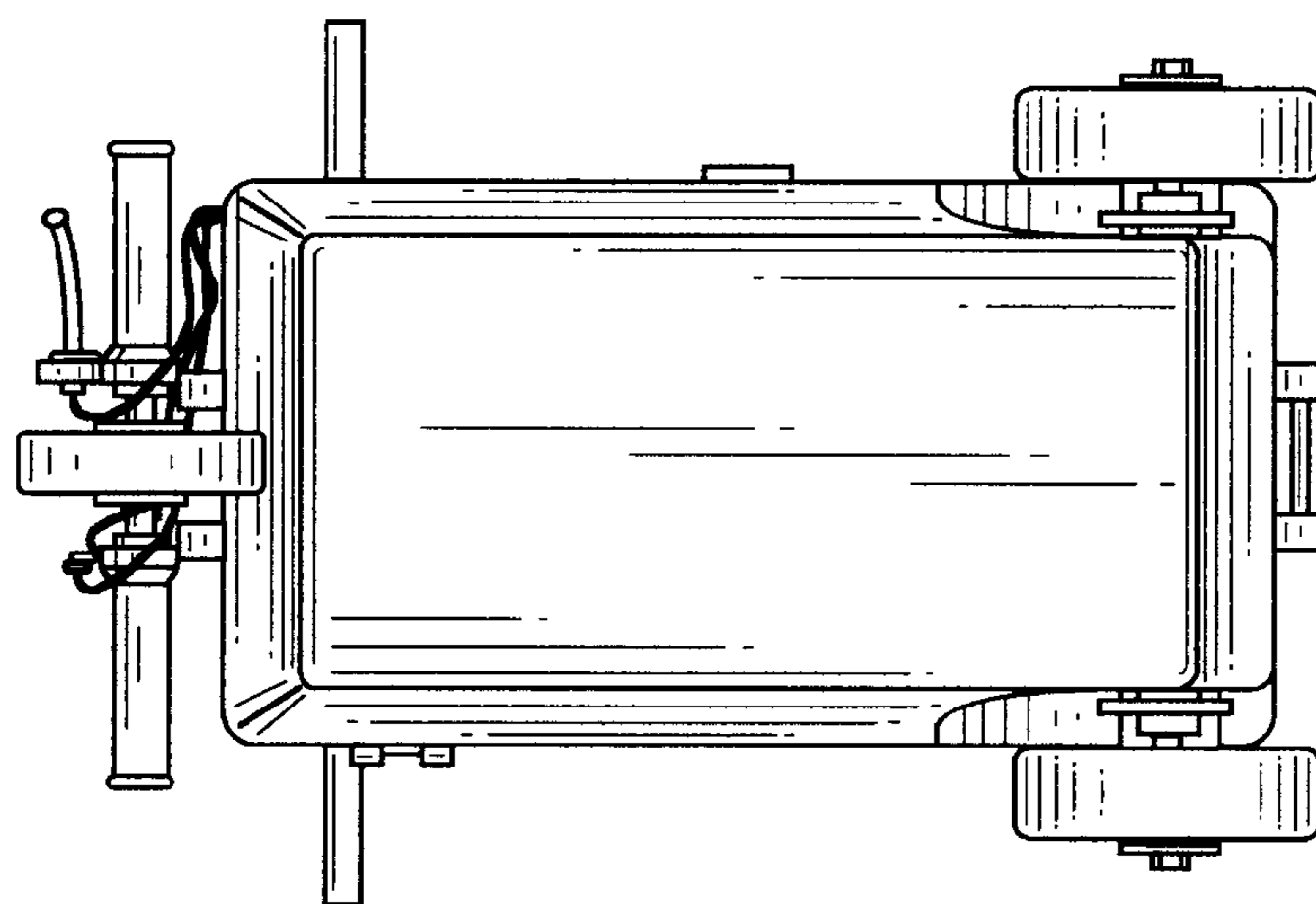


Fig. 7