



US00D516868S

(12) **United States Design Patent**
Wang

(10) **Patent No.:** **US D516,868 S**
(45) **Date of Patent:** **** Mar. 14, 2006**

- (54) **CONTAINER FOR BARBECUE**
 - (76) Inventor: **Yu-Tzu Wang**, 21-3 Floor, No. 189,
Section 2, Keelung Road, Taipei (TW)
 - (**) Term: **14 Years**
 - (21) Appl. No.: **29/215,468**
 - (22) Filed: **Oct. 21, 2004**
 - (51) **LOC (8) Cl.** **07-06**
 - (52) **U.S. Cl.** **D7/590**
 - (58) **Field of Classification Search** D7/590,
D7/600-600.4, 702, 628, 332-337; D9/600,
D9/642; 211/74, 70.1; 248/311.2, 309.1;
206/457
- See application file for complete search history.

(56) **References Cited**
U.S. PATENT DOCUMENTS

- 228,998 A * 6/1880 Johnston 211/70.6
- D80,626 S * 3/1930 Lapin D7/599
- D190,292 S * 5/1961 Karoff D7/599
- D233,584 S * 11/1974 SALviato D7/592

- D242,203 S * 11/1976 Falbo D7/599
- D261,716 S * 11/1981 Berzack D7/599

* cited by examiner

Primary Examiner—Terry A. Wallace
(74) *Attorney, Agent, or Firm*—Troxell Law Office, PLLC

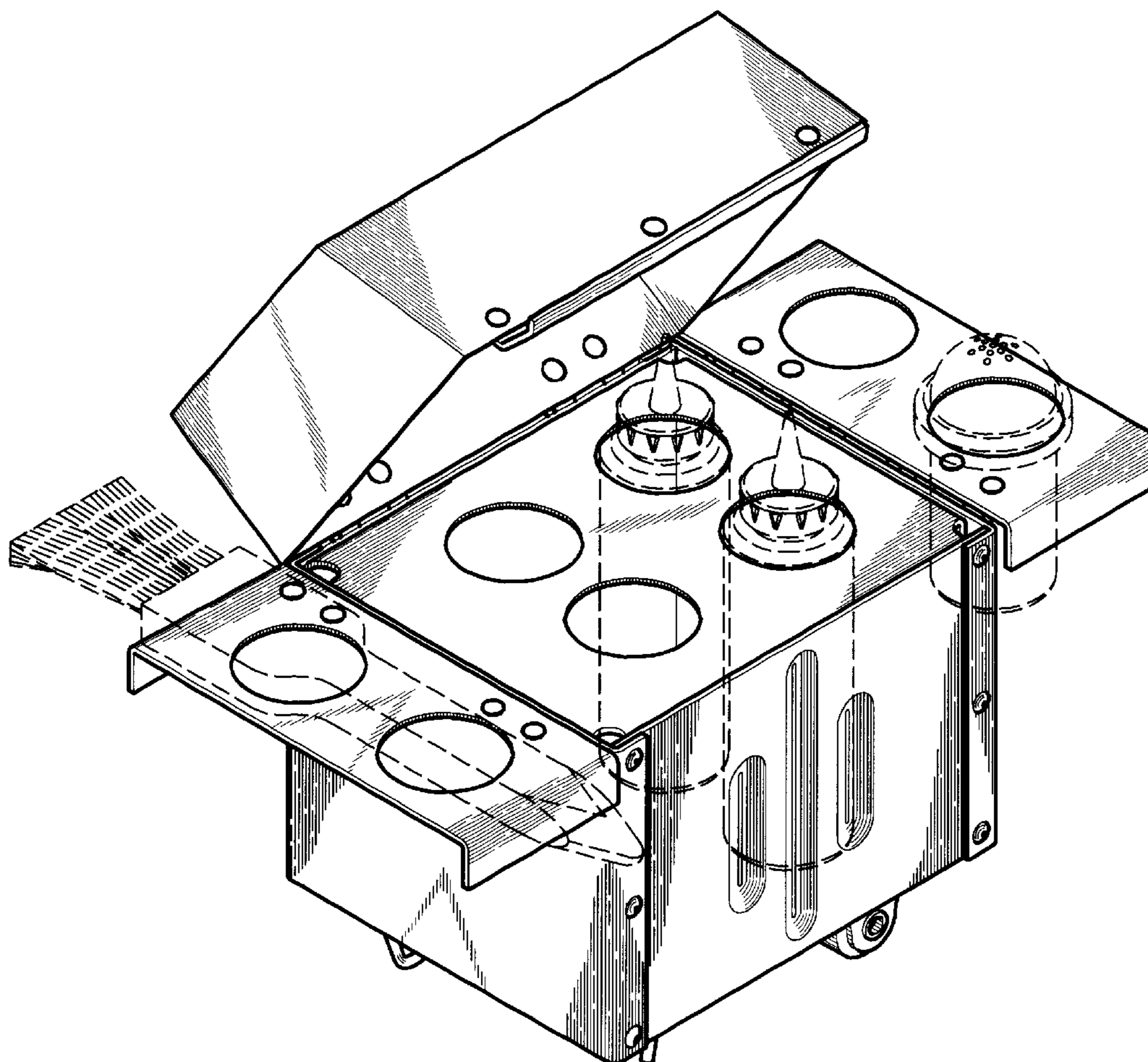
(57) **CLAIM**

The ornamental design for a container for barbecue, as shown and described.

DESCRIPTION

FIG. 1 is a front elevation view of a container for barbecue showing my new design;
FIG. 2 is a rear elevation view thereof;
FIG. 3 is a left side elevation view thereof;
FIG. 4 is a right side elevation view thereof;
FIG. 5 is a top plan view thereof;
FIG. 6 is a bottom plan view thereof;
FIG. 7 is a perspective view thereof; and,
FIG. 8 is an illustrative view of a container for barbecue in a position of use, The broken line is for illustrative purposes only and forms no part of the claimed design.

1 Claim, 8 Drawing Sheets



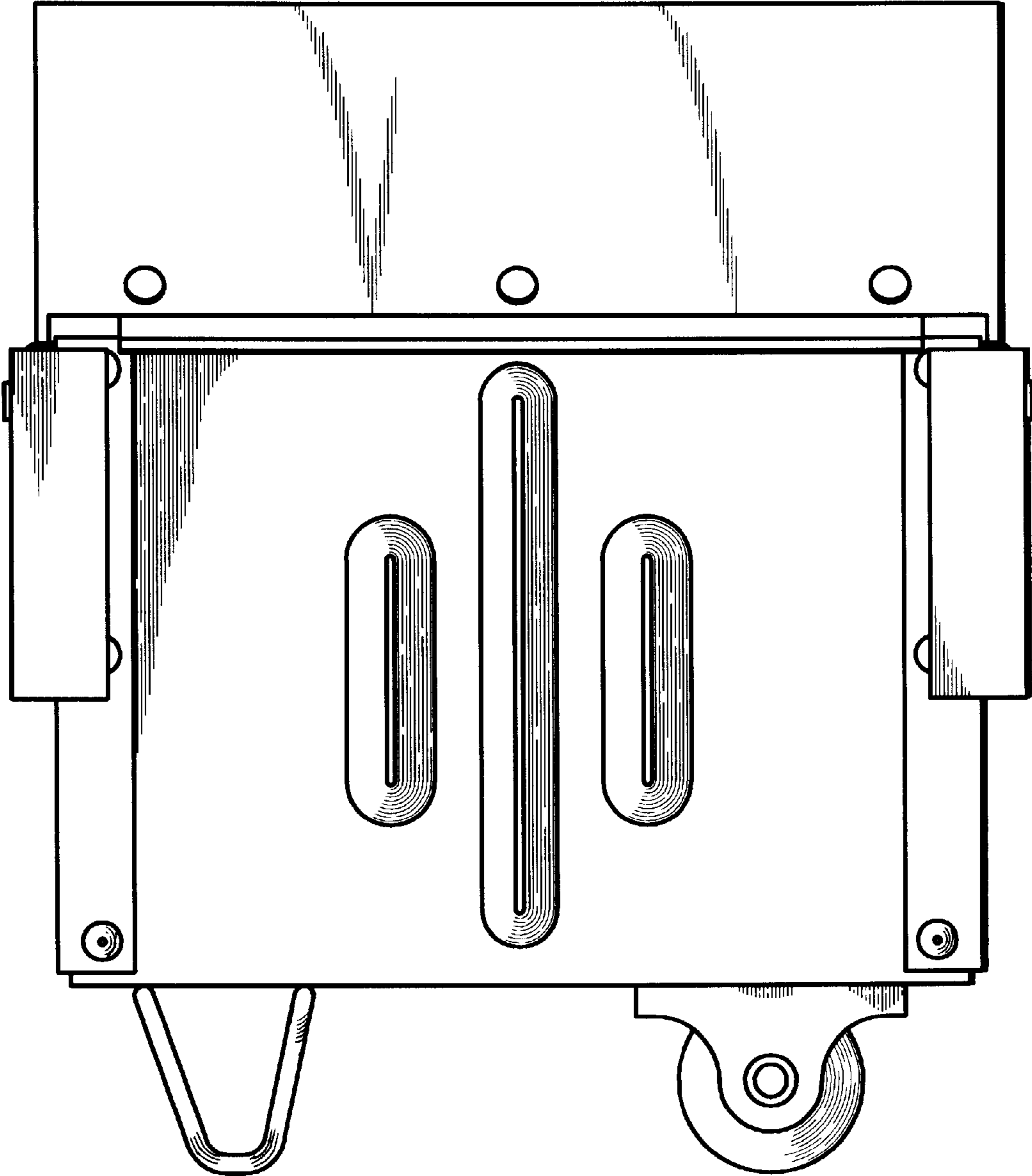


Fig. 1

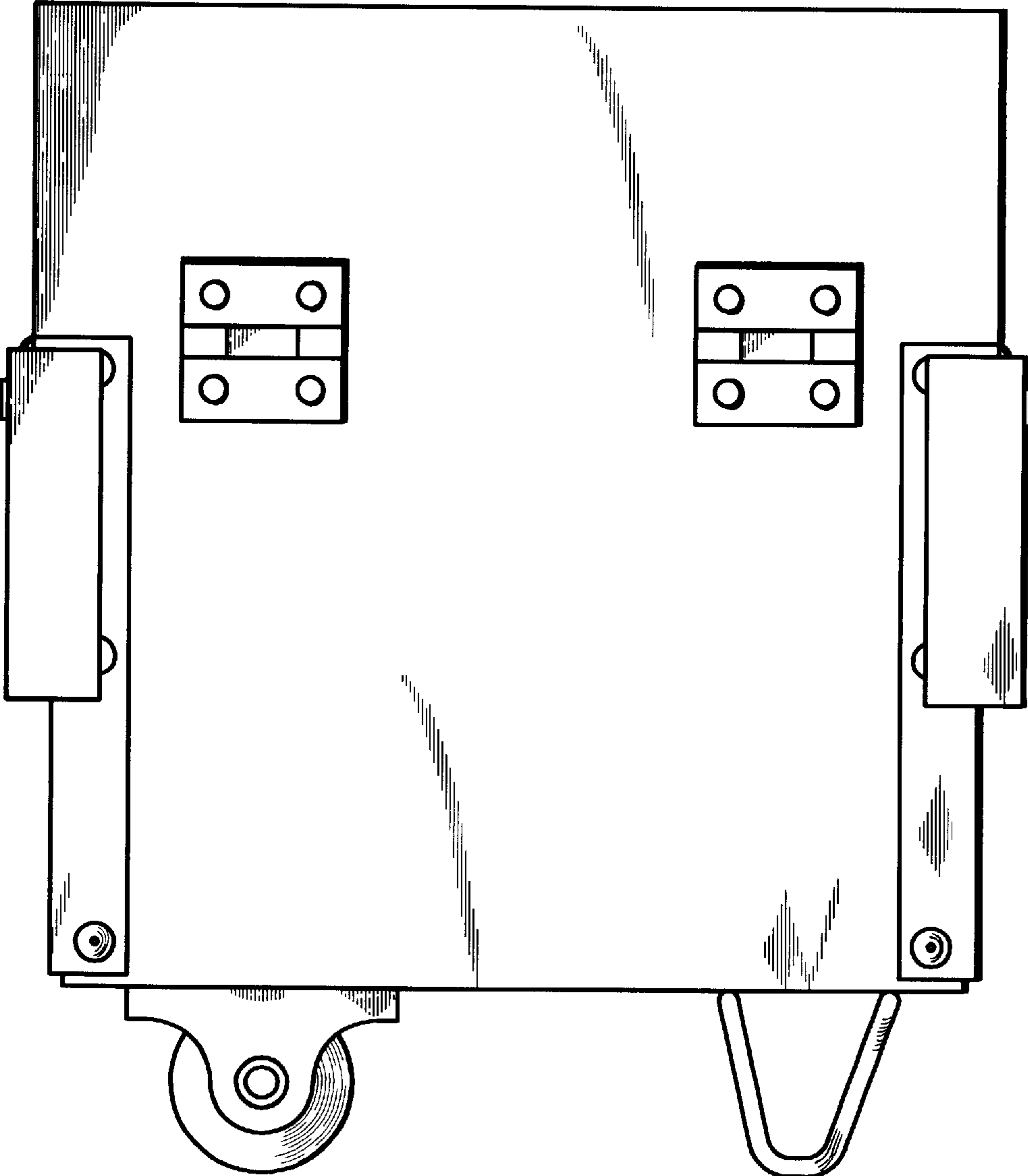


Fig.2

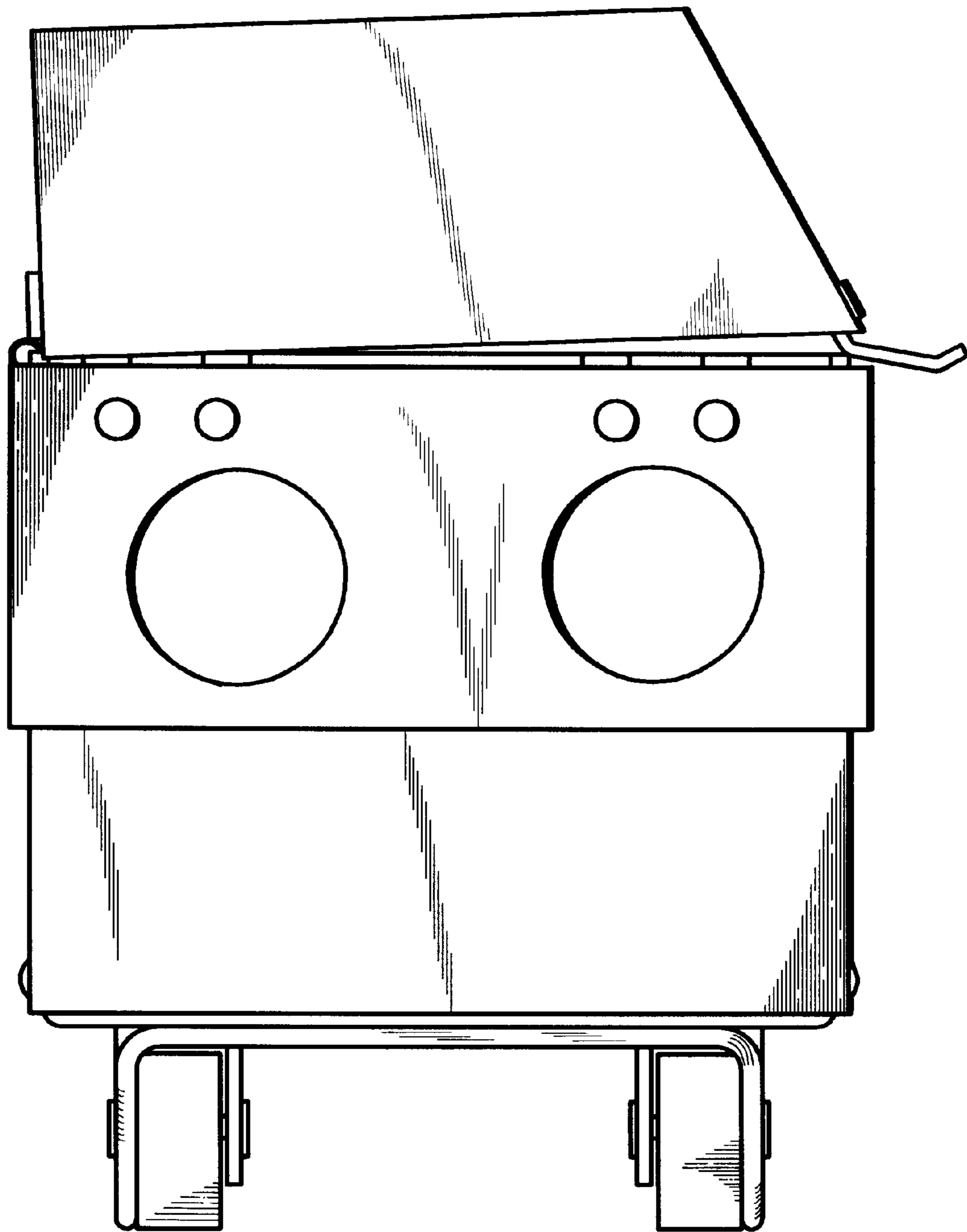


Fig.3

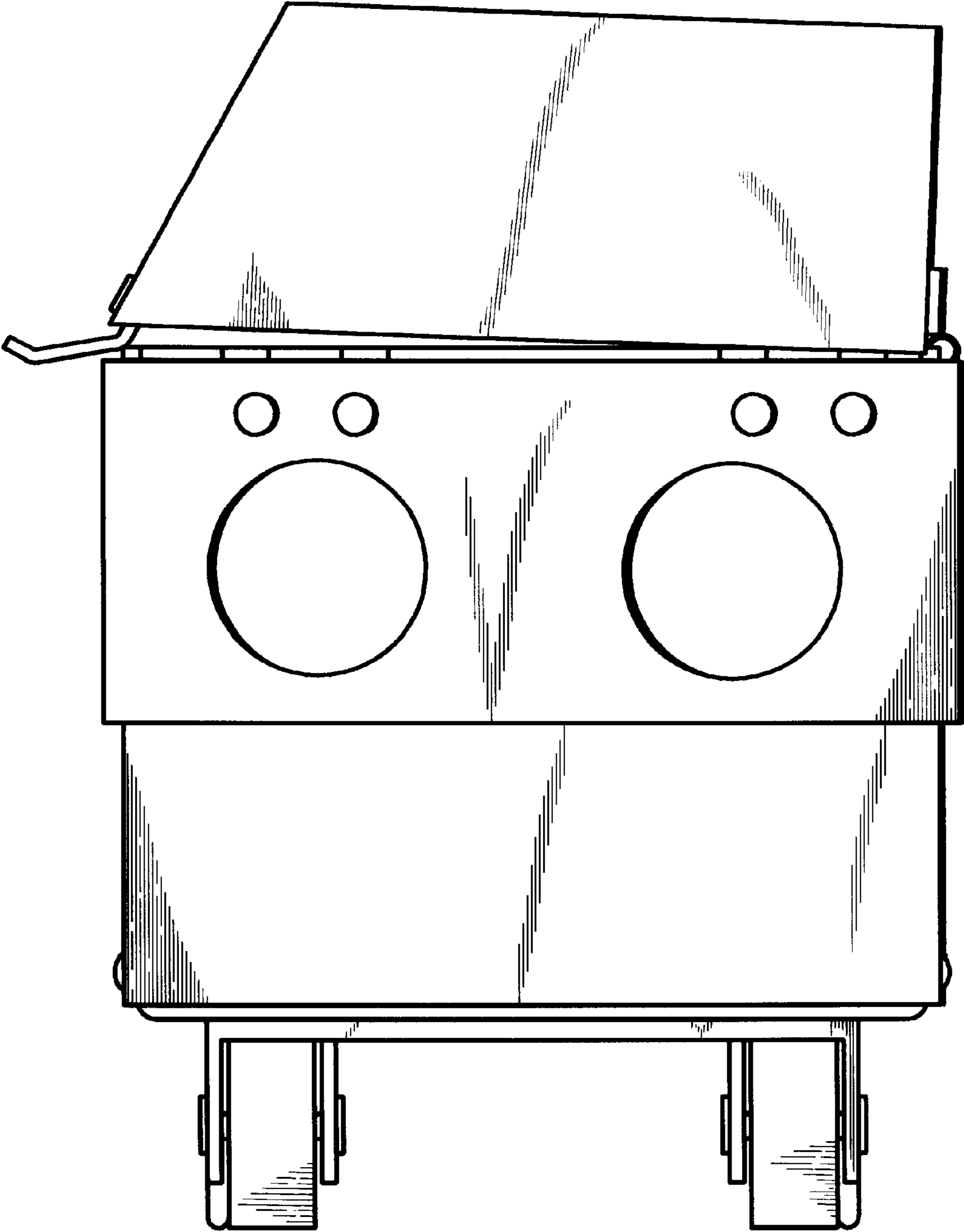


Fig.4

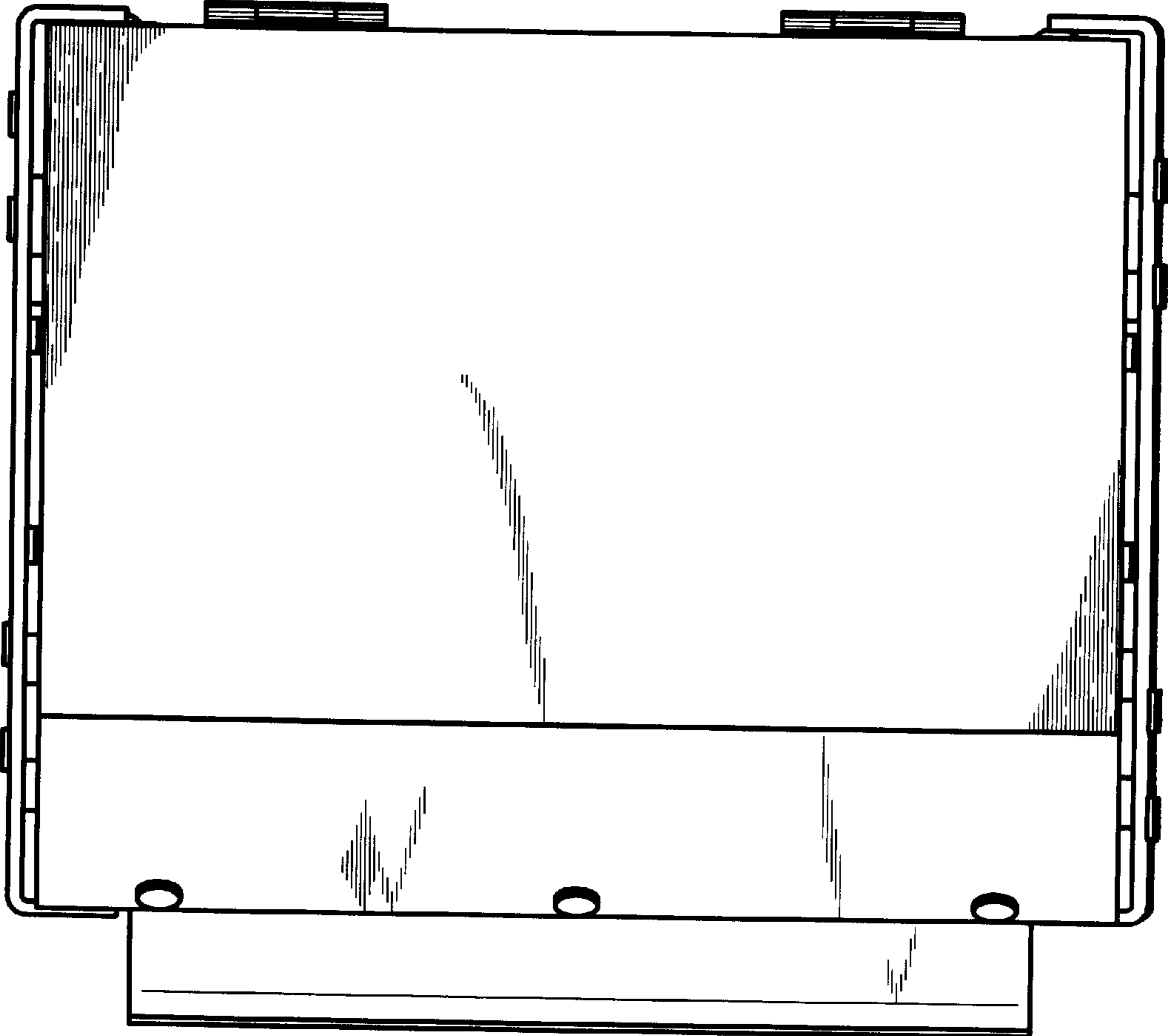


Fig.5

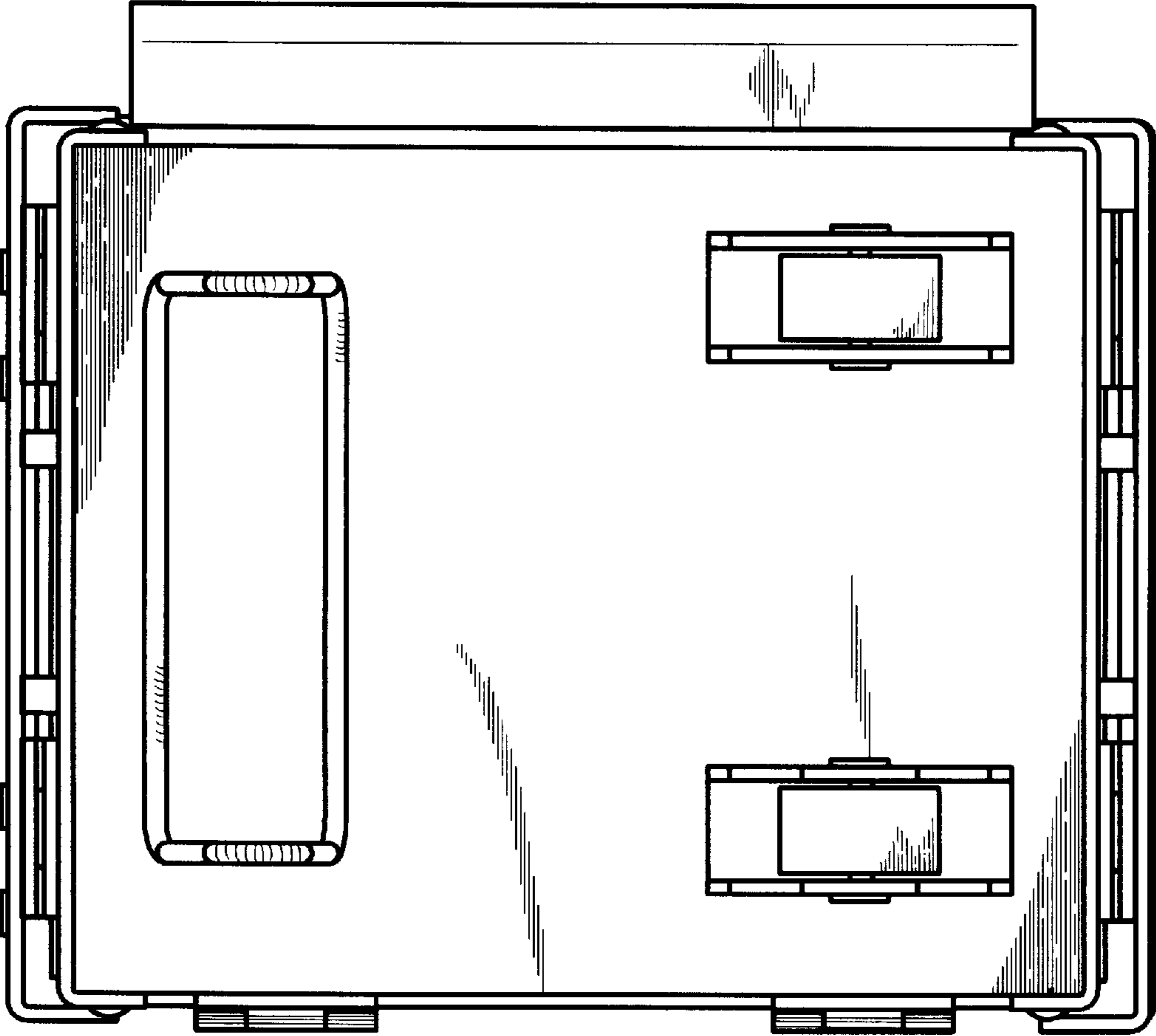


Fig.6

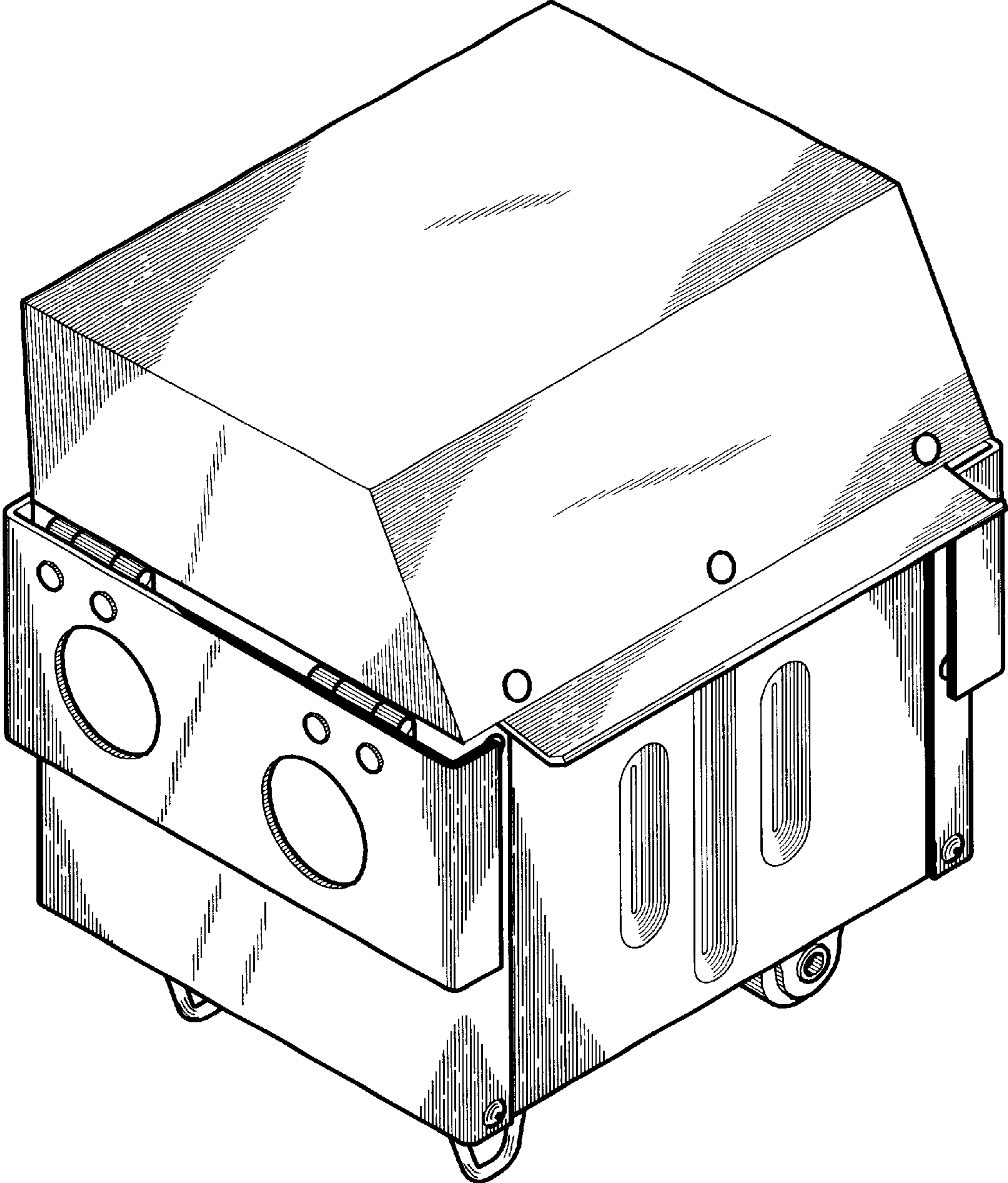


Fig. 7

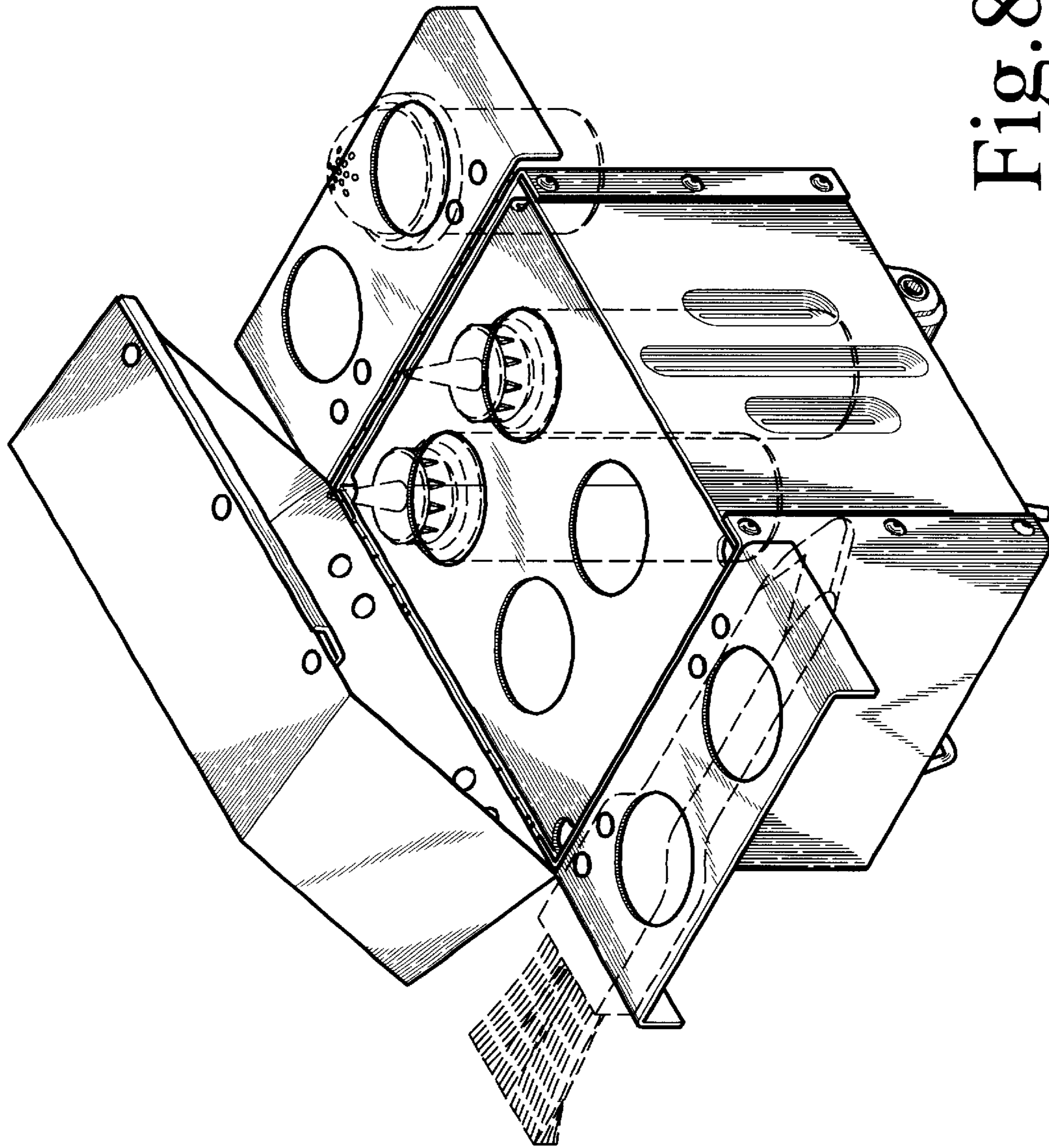


Fig. 8