

US00D516864S

(12) **United States Design Patent** (10) **Patent No.:** **US D516,864 S**
Kleckauskas et al. (45) **Date of Patent:** **** Mar. 14, 2006**

(54) **MUG WITH STRAW**

(75) Inventors: **Robert Kleckauskas**, St. Charles, IL (US); **Bruce Ronner**, Glencoe, IL (US); **John P. Coursey**, Chicago, IL (US); **Robert Giacolo**, Woodridge, IL (US); **Boris Goldstein**, Glenview, IL (US)

(73) Assignee: **Arrow Plastic Manufacturing Co.**, Elk Grove, IL (US)

(**) Term: **14 Years**

(21) Appl. No.: **29/185,946**

(22) Filed: **Jul. 7, 2003**

(51) **LOC (8) Cl.** **07-01**

(52) **U.S. Cl.** **D7/507; D7/510; D7/511; D7/536**

(58) **Field of Classification Search** D7/507, D7/509, 510, 511, 532, 536, 533, 300.2; 206/217; D9/528, 526; 220/703, 592.16, 705, 710, 220/217, 735; 215/388, 229, 387, DIG. 7; 210/120, 136

See application file for complete search history.

(56) **References Cited**

U.S. PATENT DOCUMENTS

2,355,010	A	*	8/1944	Pera	220/710
2,687,628	A	*	8/1954	Cunningham	220/703
D185,971	S	*	8/1959	Saffer	D7/536
D186,535	S	*	11/1959	Saffer	D7/535
D347,763	S		6/1994	Kleckauskas et al.	D7/533
5,497,901	A	*	3/1996	Chen	220/708

D407,946	S	*	4/1999	Brewer et al.	D7/510
D412,120	S	*	7/1999	Payne et al.	D9/540
D413,798	S	*	9/1999	LaMarra	D9/717
D442,436	S		5/2001	Kleckauskas et al.	D7/511
D468,968	S	*	1/2003	Lipson	D7/507
D468,969	S	*	1/2003	Lipson	D7/507
D478,814	S	*	8/2003	Shepard	D9/528
D501,362	S	*	2/2005	Gauss	D7/510
D507,722	S	*	7/2005	Rockhill	D7/510

* cited by examiner

Primary Examiner—M. N. Pandozzi

(74) *Attorney, Agent, or Firm*—Wood, Phillips, Katz, Clark & Mortimer

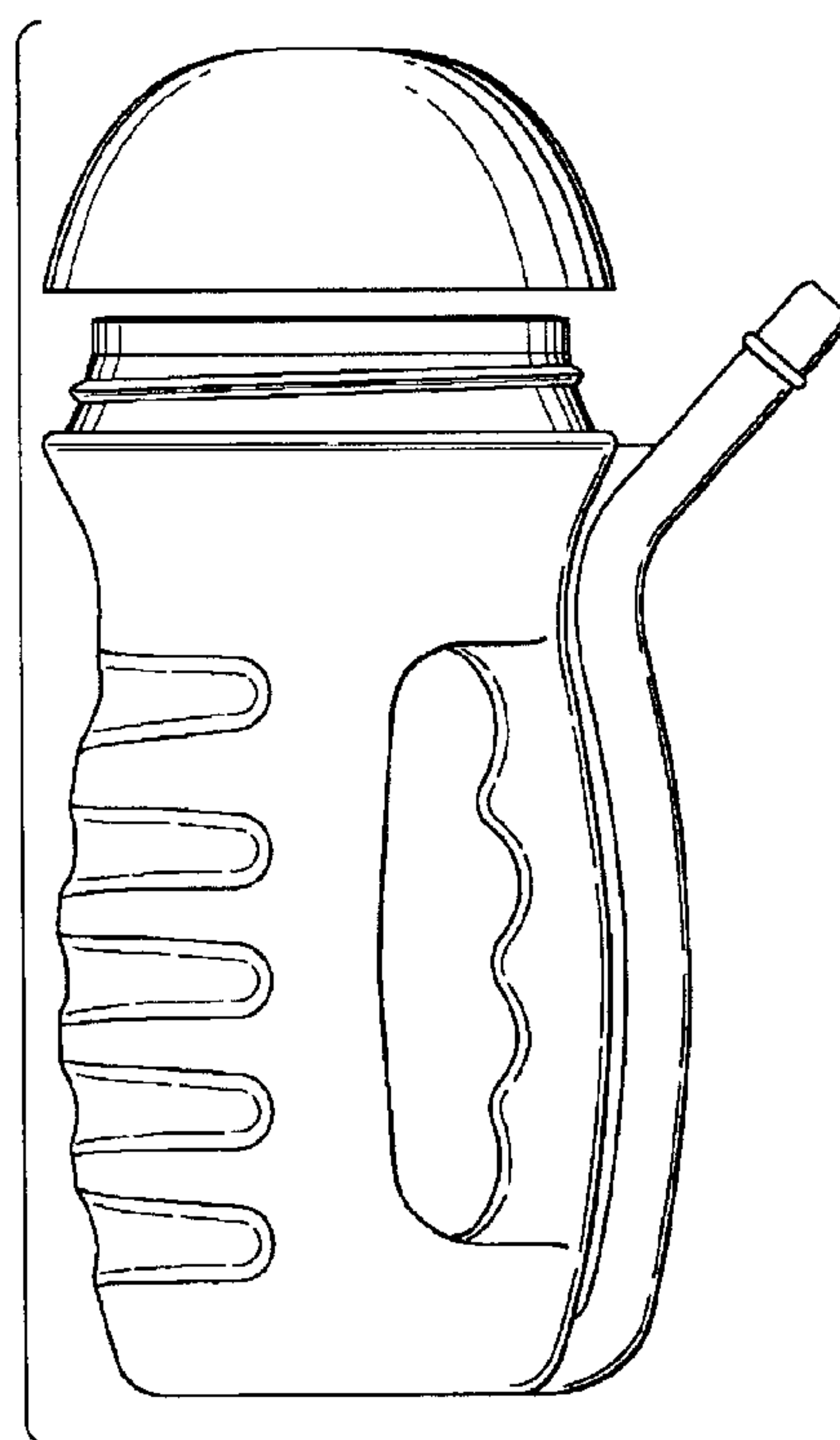
(57) **CLAIM**

The ornamental design for a mug with straw, substantially as shown and described.

DESCRIPTION

FIG. 1 is a perspective view of our new design; FIG. 2 is an exploded, front elevational view thereof; FIG. 3 is an exploded, rear elevational view thereof; FIG. 4 is an exploded, side elevational view thereof; FIG. 5 is an exploded, opposite side elevational view thereof; FIG. 6 is a top plan view thereof with the lid removed for ease of illustration; FIG. 7 is a bottom plan view thereof; FIG. 8 is a top plan view of the lid thereof; and, FIG. 9 is a bottom plan view thereof with the mug portion removed for ease of illustration.

1 Claim, 4 Drawing Sheets



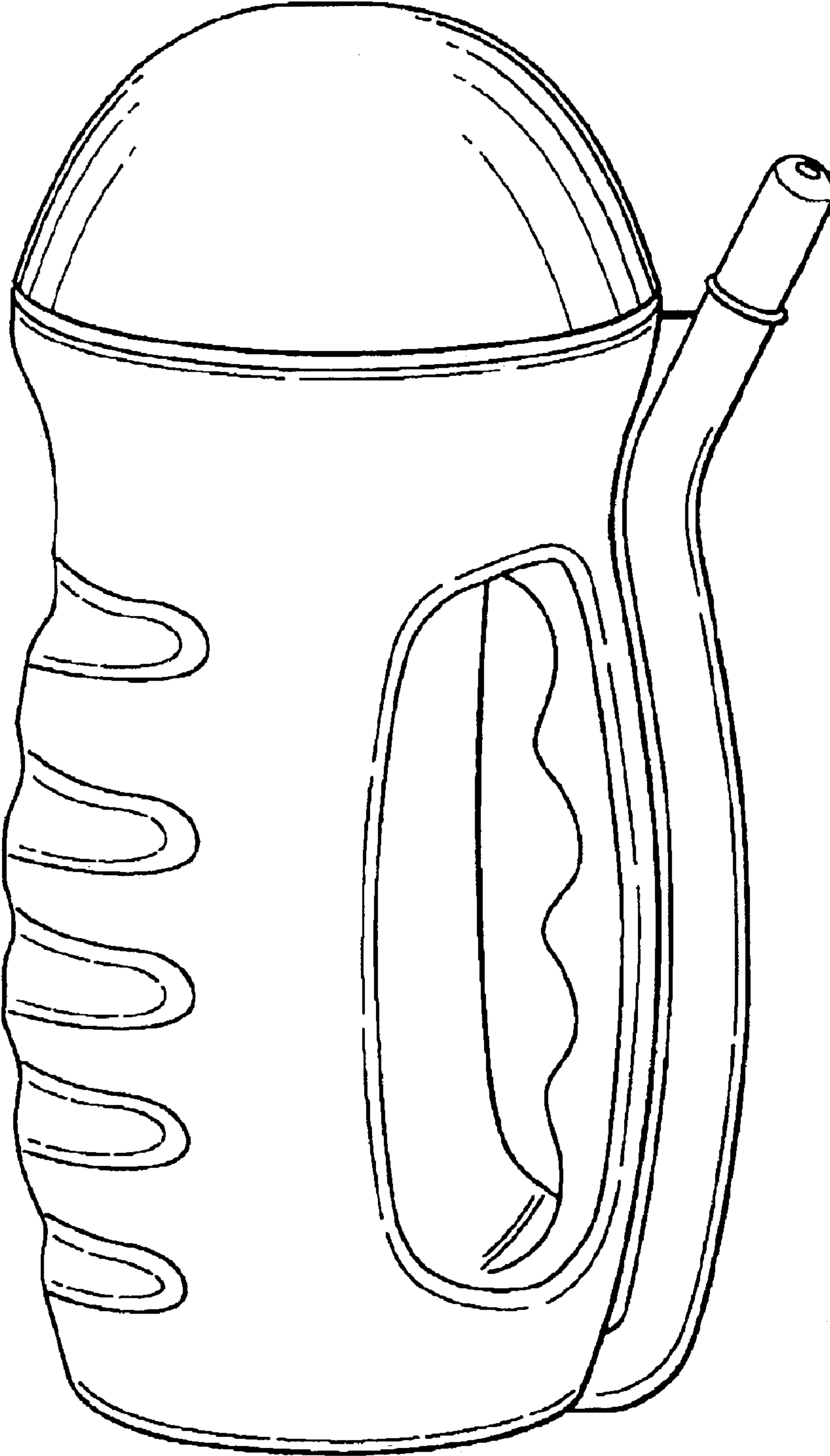


FIG. 1

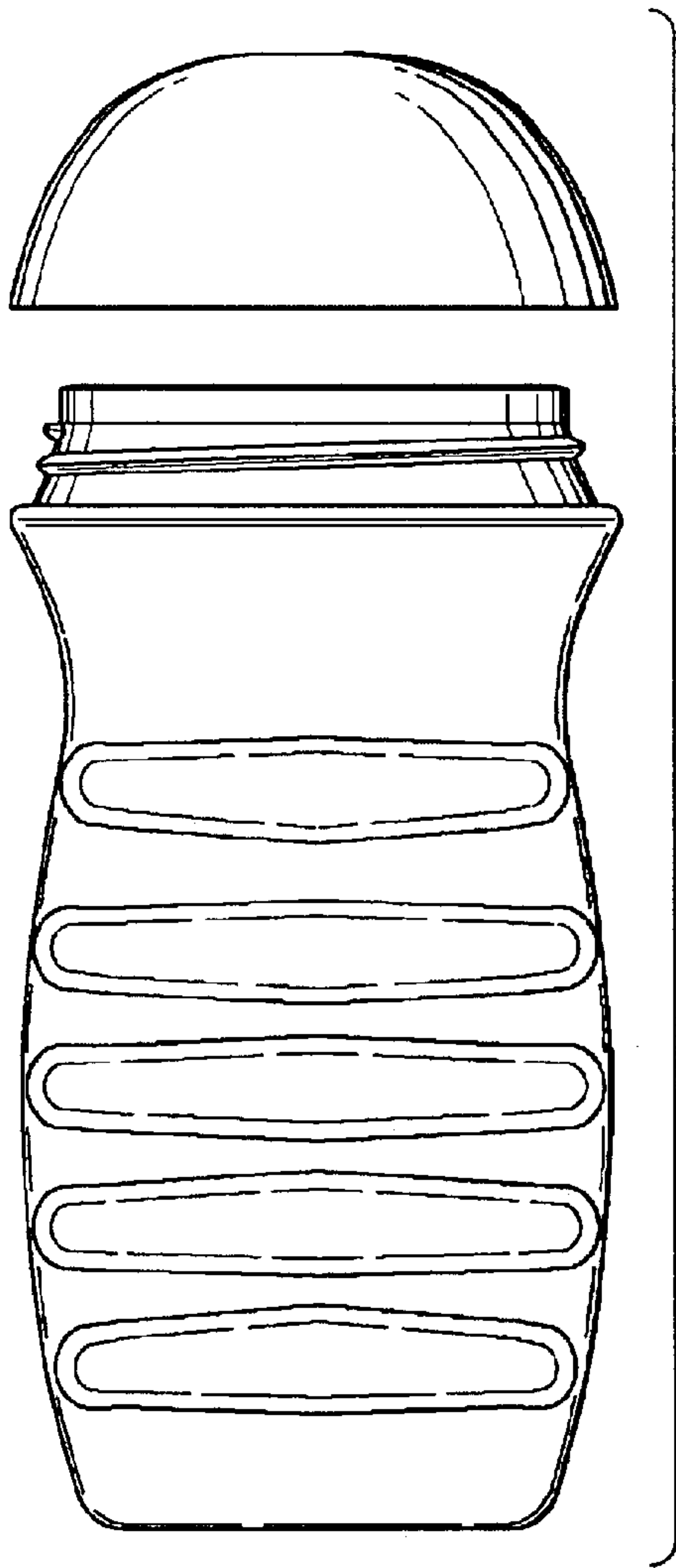


FIG. 2

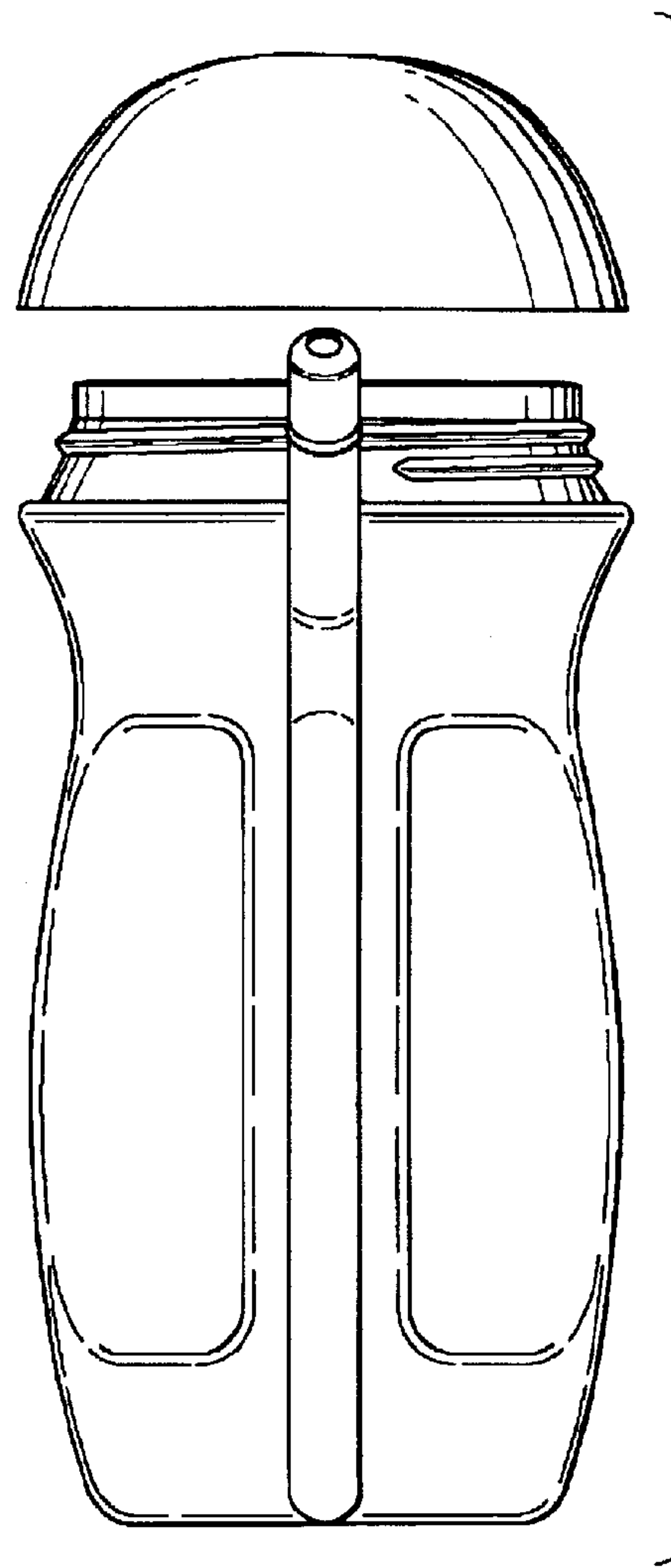


FIG. 3

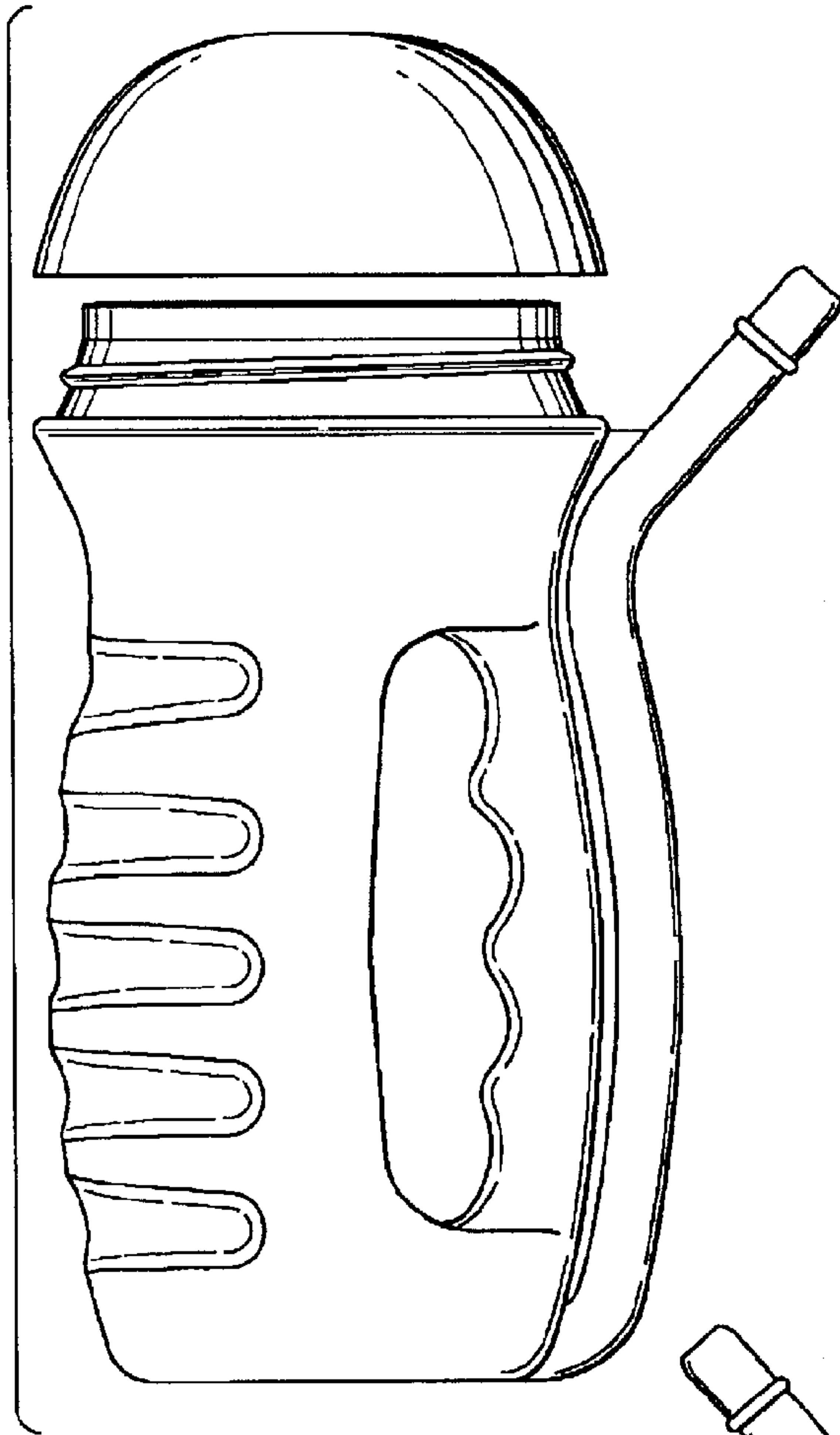


FIG. 4

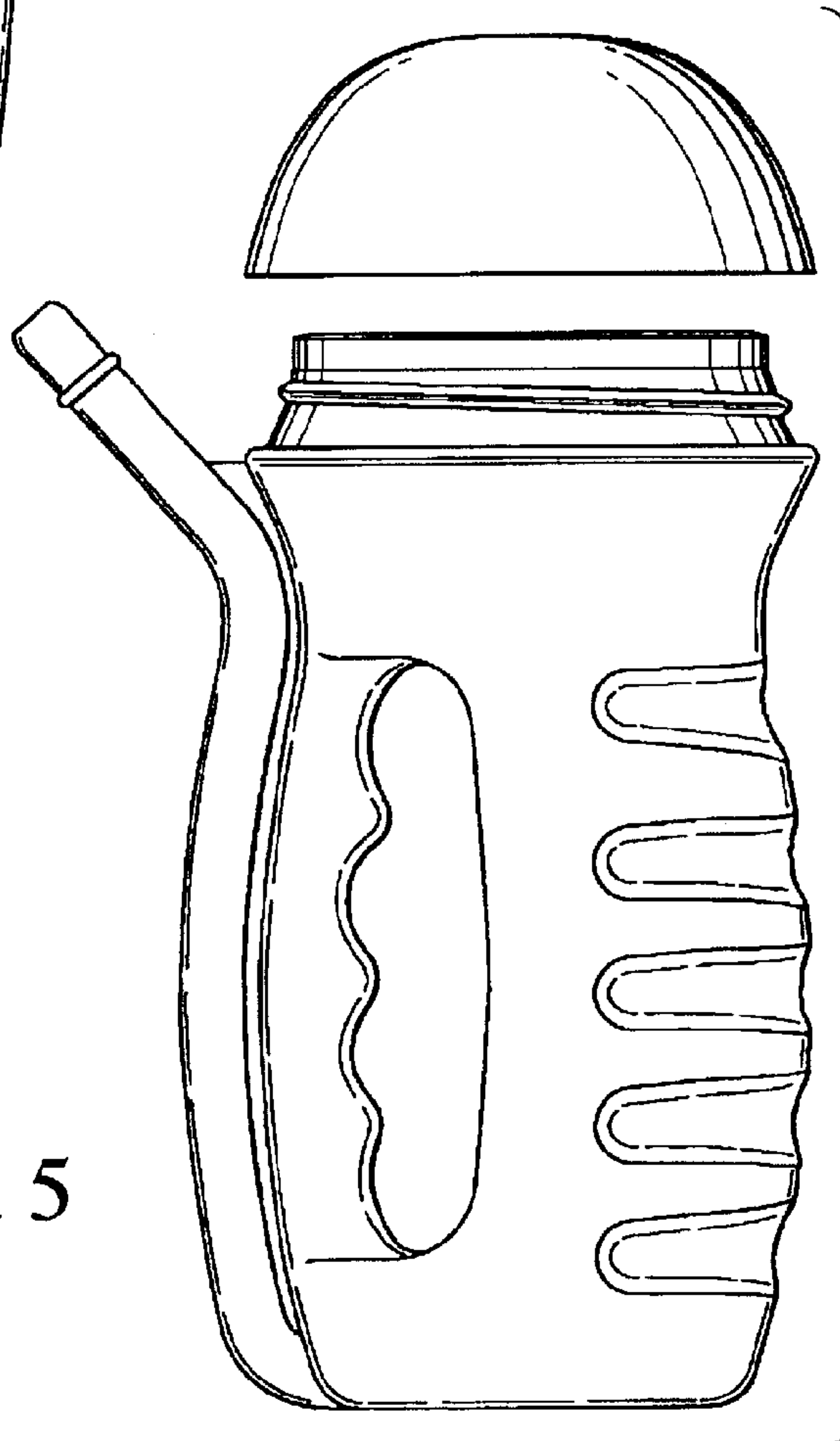


FIG. 5

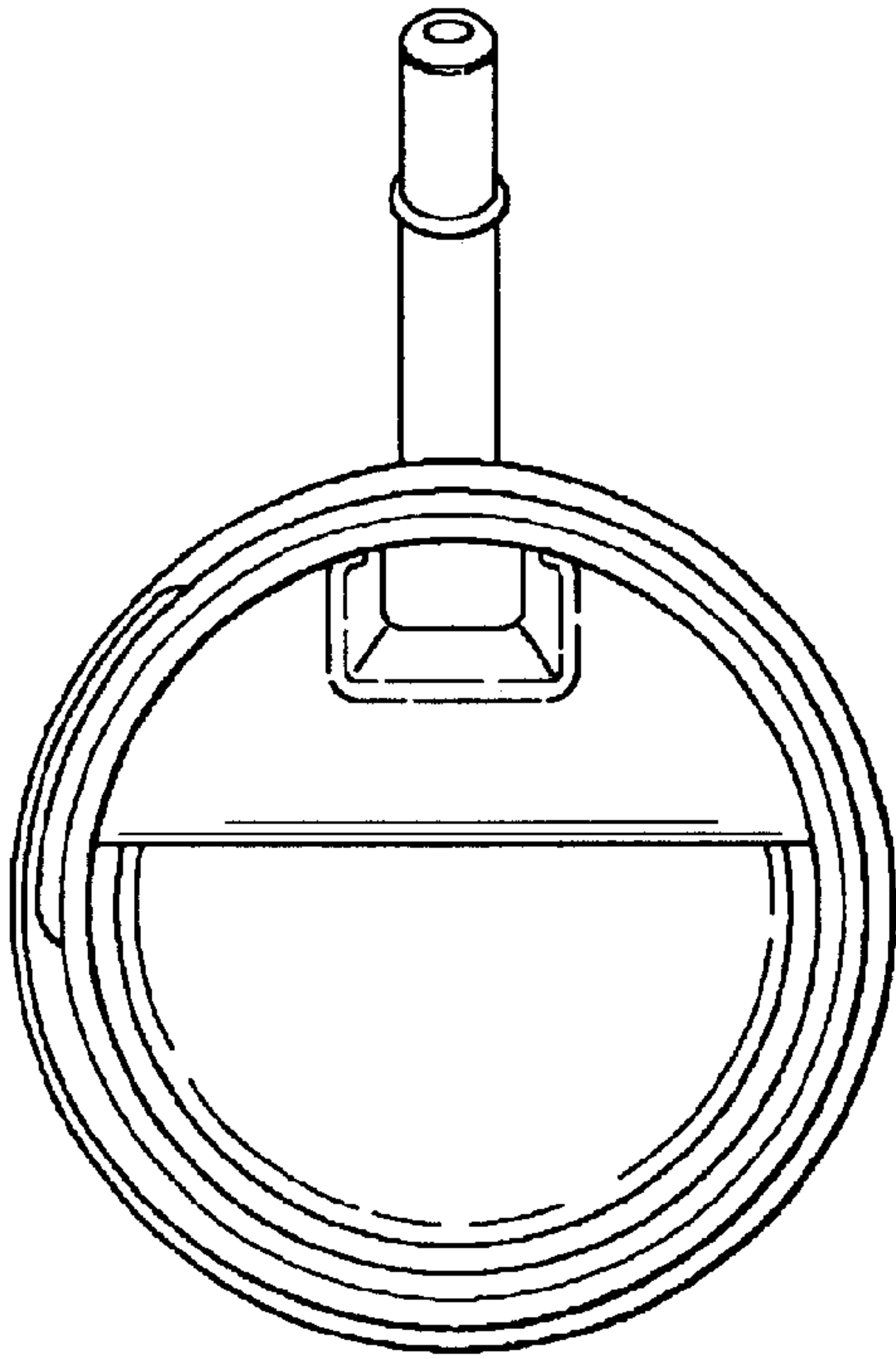


FIG. 6

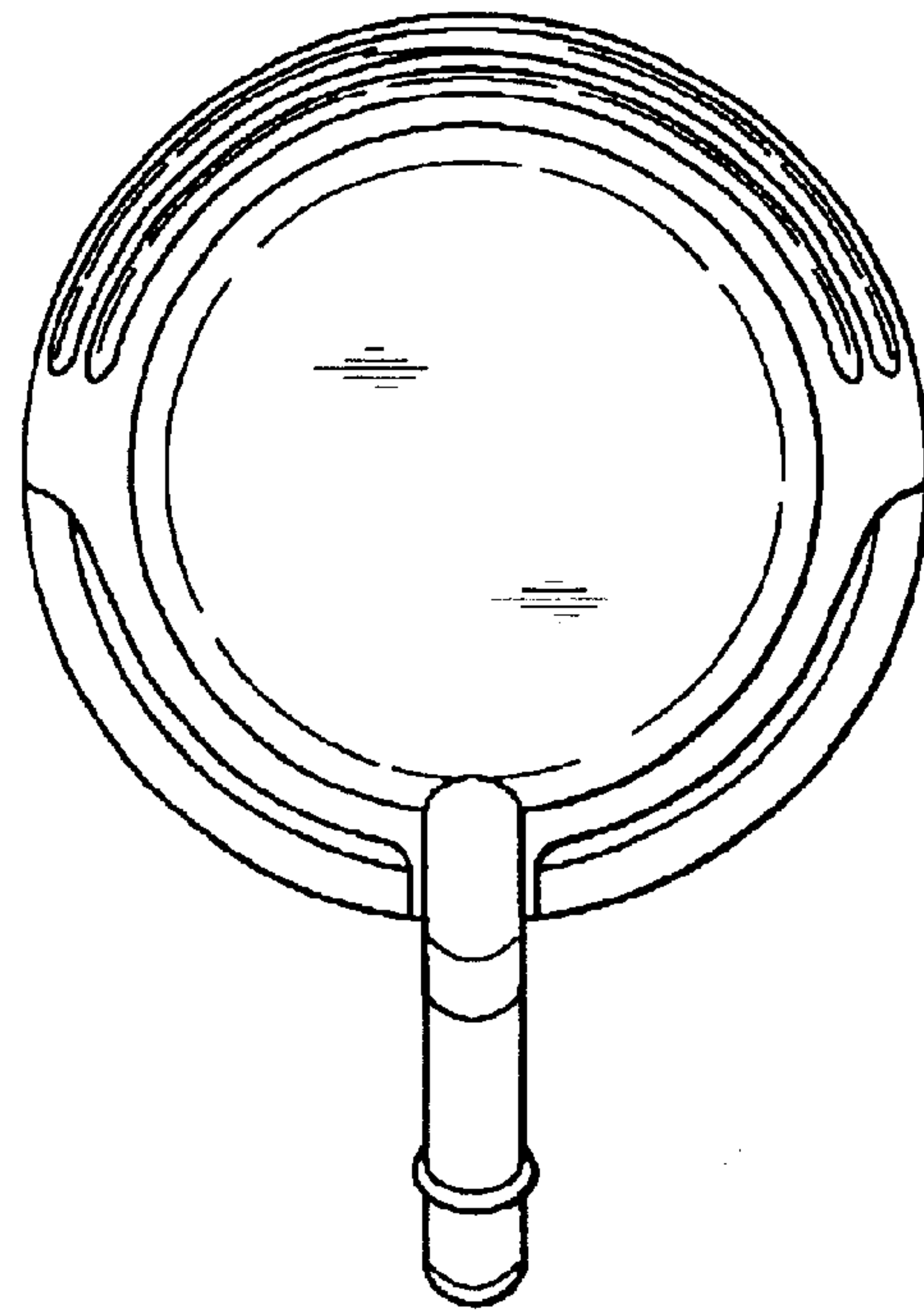


FIG. 7

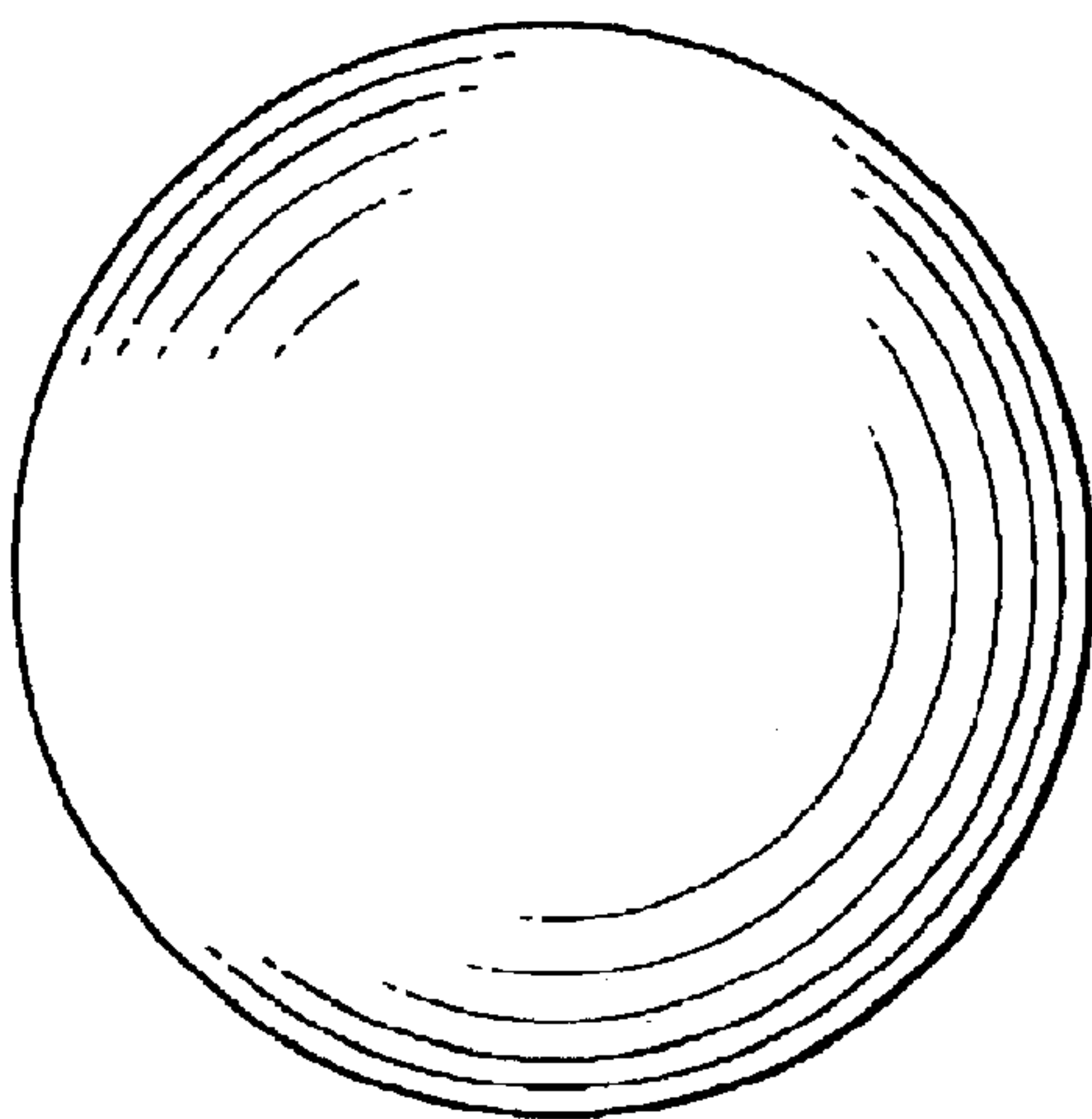


FIG. 8

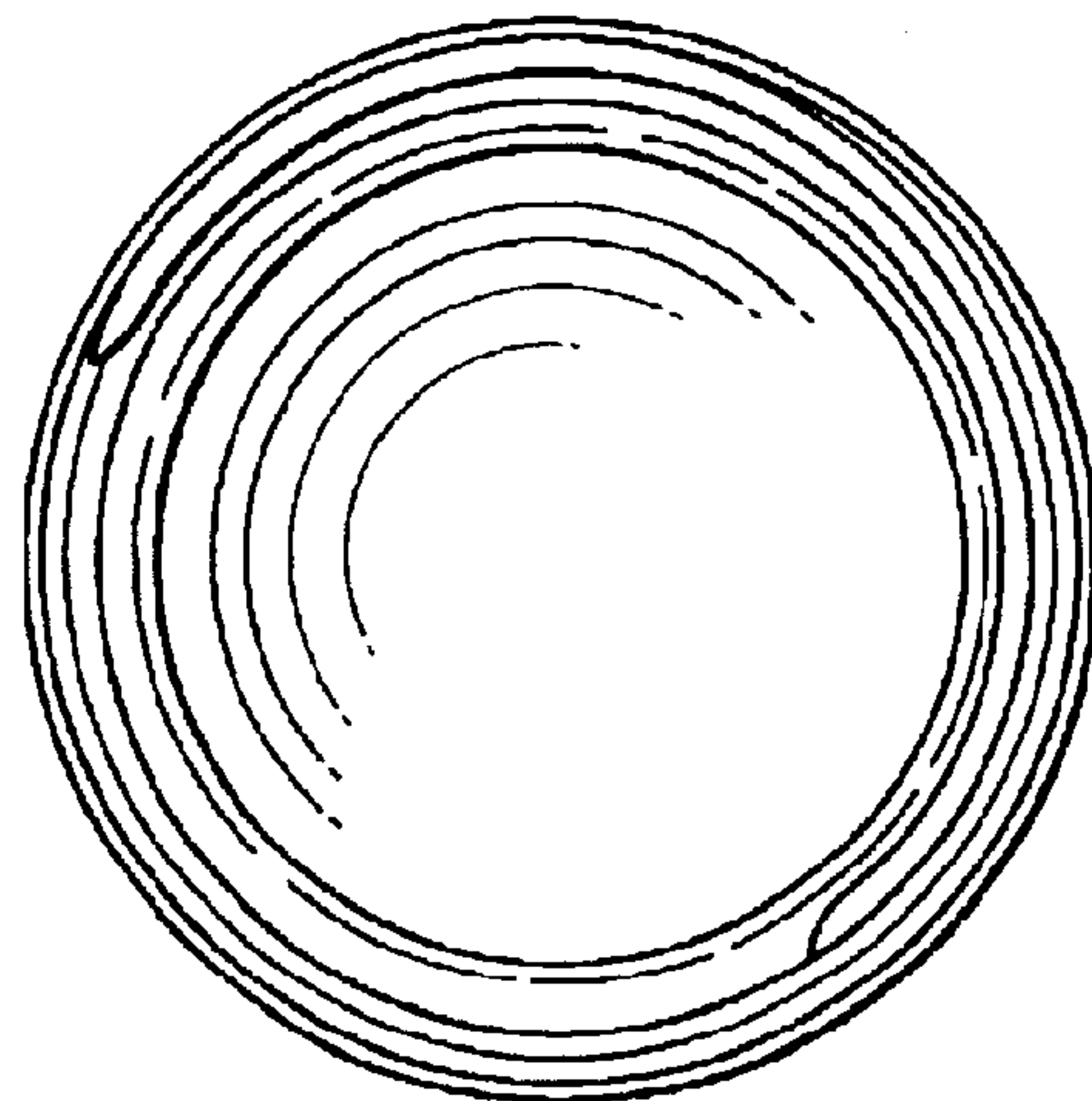


FIG. 9