

US00D516861S

(12) **United States Design Patent** (10) **Patent No.:** **US D516,861 S**
Nipke (45) **Date of Patent:** **** Mar. 14, 2006**

(54) **A-FRAME GRILL CART**
 (75) Inventor: **Mike Nipke**, Grandville, MI (US)
 (73) Assignee: **Vendor Development Group**, Grand Rapids, MI (US)
 (**) Term: **14 Years**

2,032,221 A 2/1936 Myers
 2,182,663 A 12/1939 Eby et al.
 2,274,433 A 2/1942 Schulz
 2,314,791 A 3/1943 Jones
 2,347,980 A 5/1944 Apfelbaum

(Continued)

(21) Appl. No.: **29/205,241**
 (22) Filed: **May 10, 2004**
 (51) **LOC (8) Cl.** **07-02**
 (52) **U.S. Cl.** **D7/403**
 (58) **Field of Classification Search** D7/332,
 D7/334-337, 361, 402-405, 417; 126/9 R,
 126/9 B, 13, 2, 25 R, 25 B, 26, 29, 37 R-38,
 126/40, 41 R, 50, 218, 260, 262, 274, 304 R,
 126/305, 350.1, 375.1, 506; 108/115; 99/447,
 99/450; 219/451.1, 452.11, 455.11, 385,
 219/520, 450.1; 248/129, 166, 188.6, 250,
 248/439; 431/203; D34/14, 20; D6/434; 312/236
 See application file for complete search history.

OTHER PUBLICATIONS

Meco Owner's Manual, copyright 1995, "Meco Swinger Grill".
 Merchandising, vol. 6, Jan. 1981, p. 113, "Structo Barbecue Grill".

Primary Examiner—Ruth McInroy
 (74) *Attorney, Agent, or Firm*—McAndrews, Held & Malloy, Ltd.

(57) **CLAIM**

I claim the ornamental design for an A-frame grill cart, as shown and described.

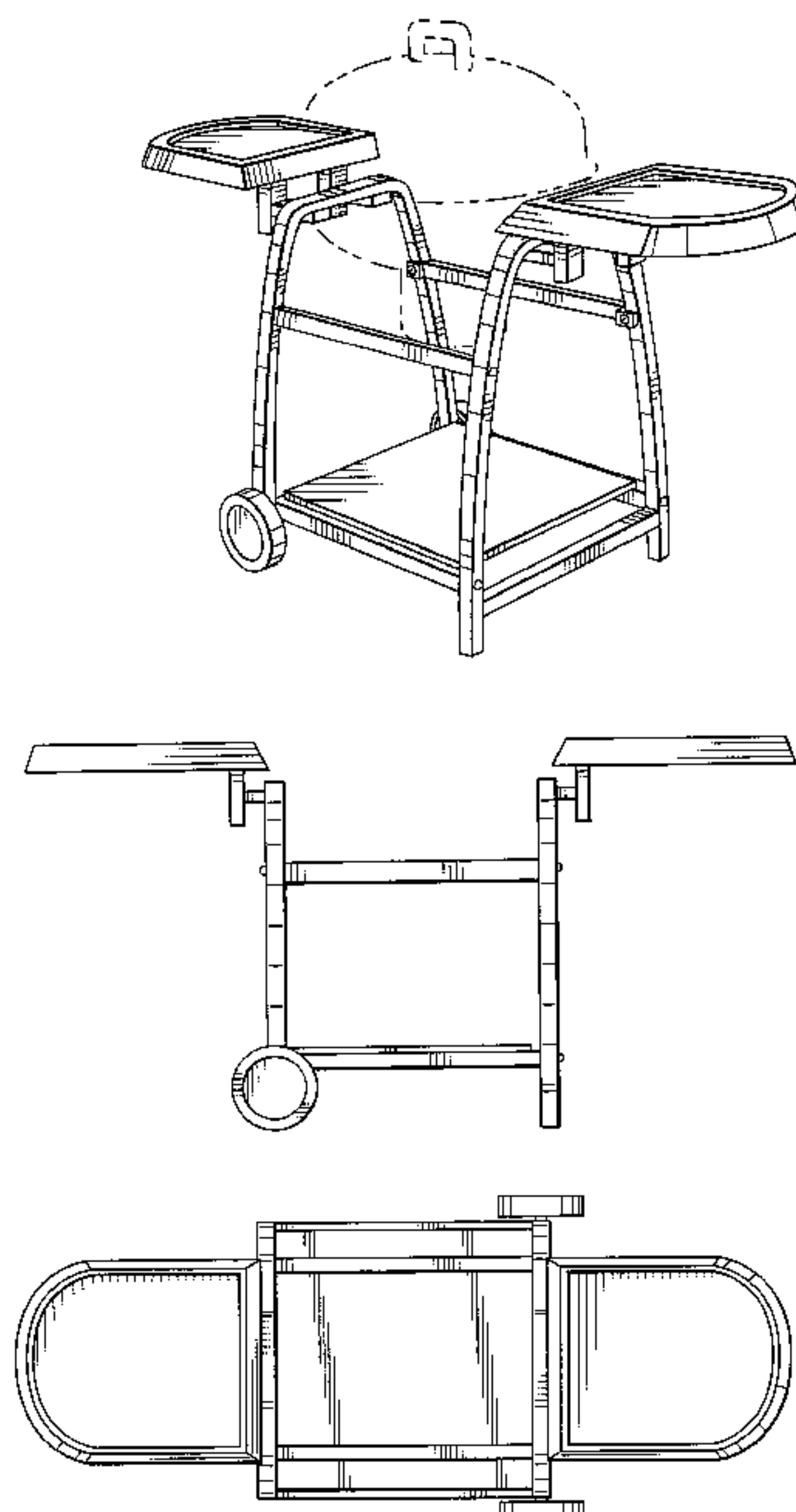
DESCRIPTION

FIG. 1 is a perspective view of an A-frame grill cart according to the present invention; FIG. 2 is a perspective view thereof; FIG. 3 is a left side view thereof; FIG. 4 is a front view thereof; FIG. 5 is a right side view thereof; FIG. 6 is a rear view thereof; FIG. 7 is a top view thereof; and, FIG. 8 is a bottom view thereof.

The shelves and wheels in FIG. 2 are reduced to broken lines for ease of illustrating the rest of the frame, the claim being directed to the entire frame shown in FIGS. 1, 3-8. The kettle shown in broken lines in the drawings forms no part of the claimed design.

1 Claim, 5 Drawing Sheets

- (56) **References Cited**
U.S. PATENT DOCUMENTS
- | | | |
|-------------|---------|-----------|
| 101,177 A | 3/1870 | Stevenson |
| RE4,652 E | 11/1871 | Roe |
| 479,652 A | 7/1892 | Marcee |
| 678,024 A | 7/1901 | Norpis |
| 758,472 A | 4/1904 | Reams |
| 1,055,311 A | 3/1913 | Blount |
| D44,522 S | 8/1913 | Curtiss |
| 1,394,228 A | 10/1921 | Sheridan |
| 1,460,928 A | 7/1923 | Tilden |
| 1,462,578 A | 7/1923 | Kashinsky |
| 1,596,367 A | 8/1926 | Miller |
| 1,783,183 A | 12/1930 | Dibble |



US D516,861 S

Page 2

U.S. PATENT DOCUMENTS

D139,850 S	12/1944	Frenning	D229,660 S	12/1973	Gammon
2,431,905 A	12/1947	Anicetti	3,785,275 A	1/1974	Keats et al.
2,511,594 A	6/1950	Loffredo	3,791,368 A	2/1974	Hunt
2,512,223 A	6/1950	Contiguglia	D231,070 S	4/1974	Koziol
D163,090 S	5/1951	Campbell	3,806,987 A	4/1974	Koziol
D165,497 S	12/1951	Waas	3,812,840 A	5/1974	Whaler
D165,998 S	2/1952	Pollard	D231,892 S	6/1974	Warshauer
2,600,234 A	6/1952	Foley	3,822,456 A	7/1974	Petruzzi
2,621,586 A	12/1952	Roney	3,841,299 A	10/1974	Tomita
2,641,243 A	6/1953	Goss	D233,585 S	11/1974	Thomas
2,666,425 A	1/1954	Hasting, Jr.	3,865,052 A	2/1975	Streets et al.
D171,639 S	3/1954	Clemens, Jr.	D237,578 S	11/1975	Thomas
2,728,334 A	12/1955	Paolella	3,974,821 A	8/1976	Storandt
2,746,378 A	5/1956	Lang	3,981,292 A	9/1976	Lilley et al.
D179,345 S	12/1956	Henry	D243,309 S	2/1977	Reunanen
2,780,392 A	2/1957	Nonhof	4,008,971 A	2/1977	Wah et al.
2,787,995 A	4/1957	Alter	4,034,662 A	7/1977	McLane
2,886,386 A	5/1959	Spitzer	4,083,641 A	4/1978	Sado
2,920,614 A	1/1960	Phelps	D250,317 S	11/1978	Simmons
2,932,479 A	4/1960	Leach	D251,230 S	3/1979	Adams
D188,879 S	9/1960	Gauss et al.	D252,248 S	7/1979	Huff
D189,682 S	1/1961	Bloomfield	4,192,283 A	3/1980	Kridler
D192,199 S	2/1962	Watson et al.	4,209,006 A	6/1980	Marsalko
3,025,848 A	3/1962	Malgesini	D255,863 S	7/1980	Futch
D193,163 S	7/1962	Levi	4,227,510 A	10/1980	Frazier et al.
3,046,970 A	7/1962	Seaman	4,273,096 A	6/1981	Hannebaum
3,073,263 A	1/1963	Wynkoop	4,281,633 A	8/1981	Wackerman
D196,552 S	10/1963	Mayer	4,302,181 A	11/1981	Schlosser
D196,996 S	11/1963	Kates	4,331,123 A	5/1982	Alles et al.
3,111,337 A	11/1963	Kates	4,331,127 A	5/1982	Grosso
3,126,881 A	3/1964	Blotsky, Jr.	4,332,188 A	6/1982	Rhear
D198,822 S	8/1964	Lyemance	4,332,235 A	6/1982	Hannebaum
D200,137 S	1/1965	Hanna	4,337,751 A	7/1982	Sampson et al.
3,167,642 A	1/1965	Reis	4,340,027 A	7/1982	Fuss
3,200,806 A	8/1965	Goldstein	4,353,347 A	10/1982	Seed
3,209,743 A	10/1965	Stewart et al.	4,362,093 A	12/1982	Griscom
3,216,379 A	11/1965	Durfee	4,382,432 A	5/1983	Lizdas
3,217,634 A	11/1965	Fox	4,390,002 A	6/1983	Daily, III
3,276,440 A	10/1966	Sazegar	D269,758 S	7/1983	Braswell
D207,567 S	5/1967	Helgeson	D269,839 S	7/1983	Givens, III
D208,179 S	7/1967	King et al.	D270,988 S	10/1983	Anderson
3,330,266 A	7/1967	Stephen	4,453,530 A	6/1984	Schlosser
3,380,444 A	4/1968	Stalker	4,458,585 A	7/1984	Erbach
3,385,281 A	5/1968	O'Russa	4,463,746 A	8/1984	Knuth et al.
D211,919 S	8/1968	Harff et al.	4,498,452 A	2/1985	Schlosser et al.
D214,220 S	5/1969	Ver Halen	D278,021 S	3/1985	Schlosser et al.
3,453,975 A	7/1969	Gunter	4,510,916 A	4/1985	Ogden
D215,250 S	9/1969	McClaren	4,523,574 A	6/1985	Schlosser
3,499,399 A	3/1970	Kaufmann	D279,537 S	7/1985	Taylor et al.
3,500,812 A	3/1970	Korngold	D280,282 S	8/1985	Erbach et al.
3,520,290 A	7/1970	Winters	4,535,749 A	8/1985	Schlosser
3,533,393 A	10/1970	Haapanen	4,553,524 A	11/1985	Wheat et al.
3,538,906 A	11/1970	Heraty et al.	D282,619 S	2/1986	Fitzgerald et al.
D219,413 S	12/1970	Glaser	4,567,876 A	2/1986	Ogden
D219,629 S	12/1970	Koziol	4,576,140 A	3/1986	Schlosser
D219,693 S	1/1971	Hahn	4,593,676 A	6/1986	Wackerman
3,567,065 A	3/1971	Dinse	D284,929 S	8/1986	Schlosser et al.
D222,311 S	10/1971	Wilkinson et al.	4,603,679 A	8/1986	Ogden
3,611,910 A	10/1971	Hughes	4,630,593 A	12/1986	Gremillion
3,611,915 A	10/1971	Glaser	4,635,613 A	1/1987	Tucker et al.
3,617,022 A	11/1971	Wiggins	4,667,916 A	5/1987	Richards
D223,042 S	2/1972	Wilkinson et al.	4,677,964 A	7/1987	Lohmeyer et al.
3,638,634 A	2/1972	Bolitho	4,683,866 A	8/1987	Bales et al.
3,683,791 A	8/1972	Rast	4,688,541 A	8/1987	Stephen et al.
3,688,758 A	9/1972	Stephen, Jr.	D291,855 S	9/1987	Erbach et al.
3,714,937 A	2/1973	Linstead	4,699,120 A	10/1987	Ogden
3,734,076 A	5/1973	Kiziol	D293,067 S	12/1987	Stephen et al.
D227,643 S	7/1973	Koziol	D293,191 S	12/1987	Stephen et al.
3,759,164 A	9/1973	Robinson	4,718,399 A	1/1988	Shepard
D229,625 S	12/1973	Thomas	4,727,853 A	3/1988	Stephen et al.
			D295,135 S	4/1988	Ogden

US D516,861 S

4,735,390 A	4/1988	Richards	5,809,991 A	9/1998	Pai
4,741,322 A	5/1988	Lin	D404,963 S	2/1999	Schlosser et al.
4,762,114 A	8/1988	Blankemeyer	5,865,099 A	2/1999	Waugh
4,763,640 A	8/1988	Schnack et al.	D409,436 S	5/1999	Smith
4,777,927 A	10/1988	Stephen et al.	D412,086 S	7/1999	Bossler
D298,406 S	11/1988	Stephen et al.	D414,374 S	9/1999	Ting
4,793,580 A	12/1988	Richards	D414,980 S	10/1999	Pai
D299,690 S	2/1989	Schnack et al.	D415,649 S	10/1999	Pai
4,829,978 A	5/1989	Schlosser et al.	D415,653 S	10/1999	Schlosser et al.
D301,673 S	6/1989	Ogden	D415,925 S	11/1999	Pai
4,836,179 A	6/1989	Schlosser et al.	D417,362 S	12/1999	Ting
D302,641 S	8/1989	Elmburg	6,000,389 A	12/1999	Alpert
4,860,724 A	8/1989	Schlosser et al.	D420,546 S	2/2000	Pai
4,924,845 A	5/1990	Johnson et al.	D426,101 S	6/2000	Pai
4,926,841 A	5/1990	Woolf	D426,419 S	6/2000	Kuo
4,941,817 A	7/1990	Schlosser	D427,840 S	7/2000	Pai
4,942,862 A	7/1990	Alden et al.	D428,303 S	* 7/2000	Wagner et al. D7/403
4,966,125 A	10/1990	Stephen et al.	D428,760 S	8/2000	Huang
4,966,126 A	10/1990	Wu	D430,717 S	9/2000	Alden et al.
D315,079 S	3/1991	Jui-Yen	D435,387 S	12/2000	Pai
D316,355 S	4/1991	Stephen et al.	6,155,248 A	12/2000	Schlosser et al.
5,016,607 A	5/1991	Doolittle et al.	D435,998 S	1/2001	Mak
5,027,788 A	7/1991	Schlosser	D437,177 S	2/2001	Giebel et al.
5,036,832 A	8/1991	Schlosser et al.	6,182,559 B1	2/2001	Chiang
5,044,265 A	9/1991	Janssen	6,230,700 B1	5/2001	Daniels et al.
5,069,196 A	12/1991	Schlosser et al.	6,357,434 B1	3/2002	Bossler
5,076,252 A	12/1991	Schlosser et al.	6,363,925 B1	4/2002	Chavana, Jr. et al.
D322,909 S	1/1992	Parent et al.	D460,657 S	7/2002	Bossler
5,080,313 A	1/1992	Byrum et al.	D461,360 S	8/2002	Bossler
D325,315 S	4/1992	Parent et al.	6,439,221 B1	8/2002	Ward et al.
D325,316 S	4/1992	Parent et al.	D462,563 S	9/2002	Bossler
D325,318 S	4/1992	Parent et al.	D463,707 S	10/2002	Bossler
5,111,802 A	5/1992	Lin	D463,708 S	10/2002	Bossler
D327,390 S	6/1992	Schlosser et al.	D463,709 S	10/2002	Bossler
D327,805 S	7/1992	Parent et al.	D464,227 S	10/2002	Eisinger et al.
5,159,917 A	11/1992	Archer et al.	D464,524 S	10/2002	Pai
5,165,385 A	11/1992	Doolittle et al.	D464,529 S	10/2002	Eisinger et al.
5,213,075 A	5/1993	Stephen et al.	6,474,327 B1	11/2002	Bossler
5,299,553 A	4/1994	Giebel et al.	D466,359 S	12/2002	Bossler et al.
D350,668 S	9/1994	Giebel et al.	D466,756 S	12/2002	Bossler et al.
D351,308 S	10/1994	Pai	D471,396 S	3/2003	Chiang
D352,865 S	11/1994	Pai	D472,422 S	* 4/2003	Pai D7/334
D355,566 S	2/1995	Stephen et al.	D474,063 S	* 5/2003	Eisinger et al. D7/334
5,394,590 A	3/1995	Yu	6,557,546 B1	5/2003	Gibbons
D356,924 S	4/1995	Pai	D476,189 S	6/2003	Bossler
5,566,606 A	10/1996	Johnston	D478,462 S	8/2003	Zhu
D375,436 S	* 11/1996	Bird et al. D7/403	6,626,090 B1	9/2003	McLemore et al.
5,572,983 A	11/1996	Schlosser et al.	D480,595 S	* 10/2003	Pai D7/334
D376,510 S	12/1996	Ting	D480,906 S	10/2003	Pai
5,640,949 A	6/1997	Smith	D481,256 S	10/2003	Bossler
D381,557 S	7/1997	Bradley et al.	D482,561 S	11/2003	Yeh
D381,860 S	8/1997	Chiang	D485,116 S	1/2004	Kwok
5,749,354 A	5/1998	Lin	6,684,876 B1	2/2004	Bossler
D395,378 S	* 6/1998	Schlosser et al. D7/403	D496,821 S	10/2004	Pai
D395,785 S	7/1998	Lin	D497,281 S	10/2004	Pai
5,794,608 A	8/1998	Von Berg			
5,806,510 A	9/1998	Fischer et al.			

* cited by examiner

Fig. 1

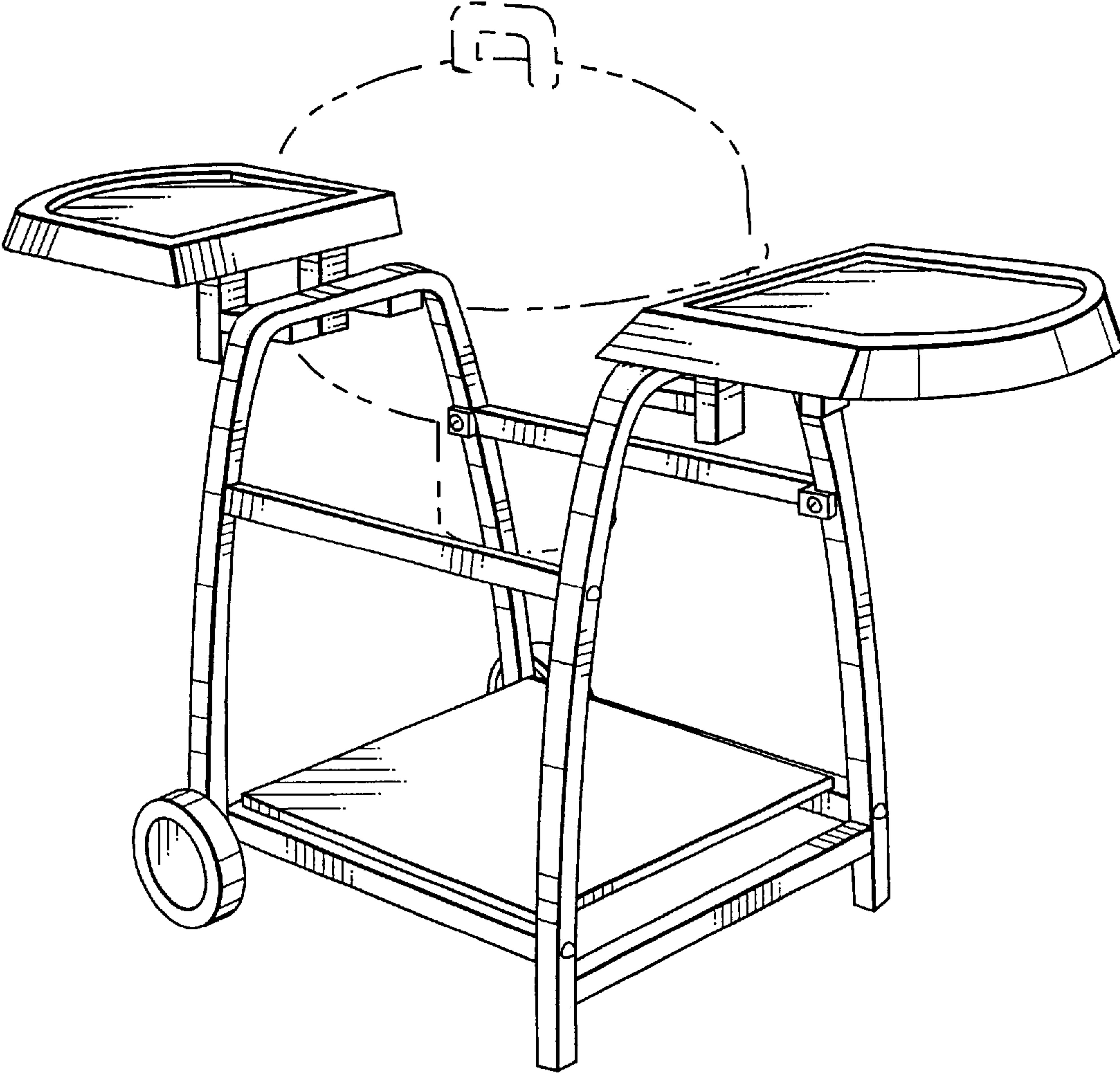


Fig. 2

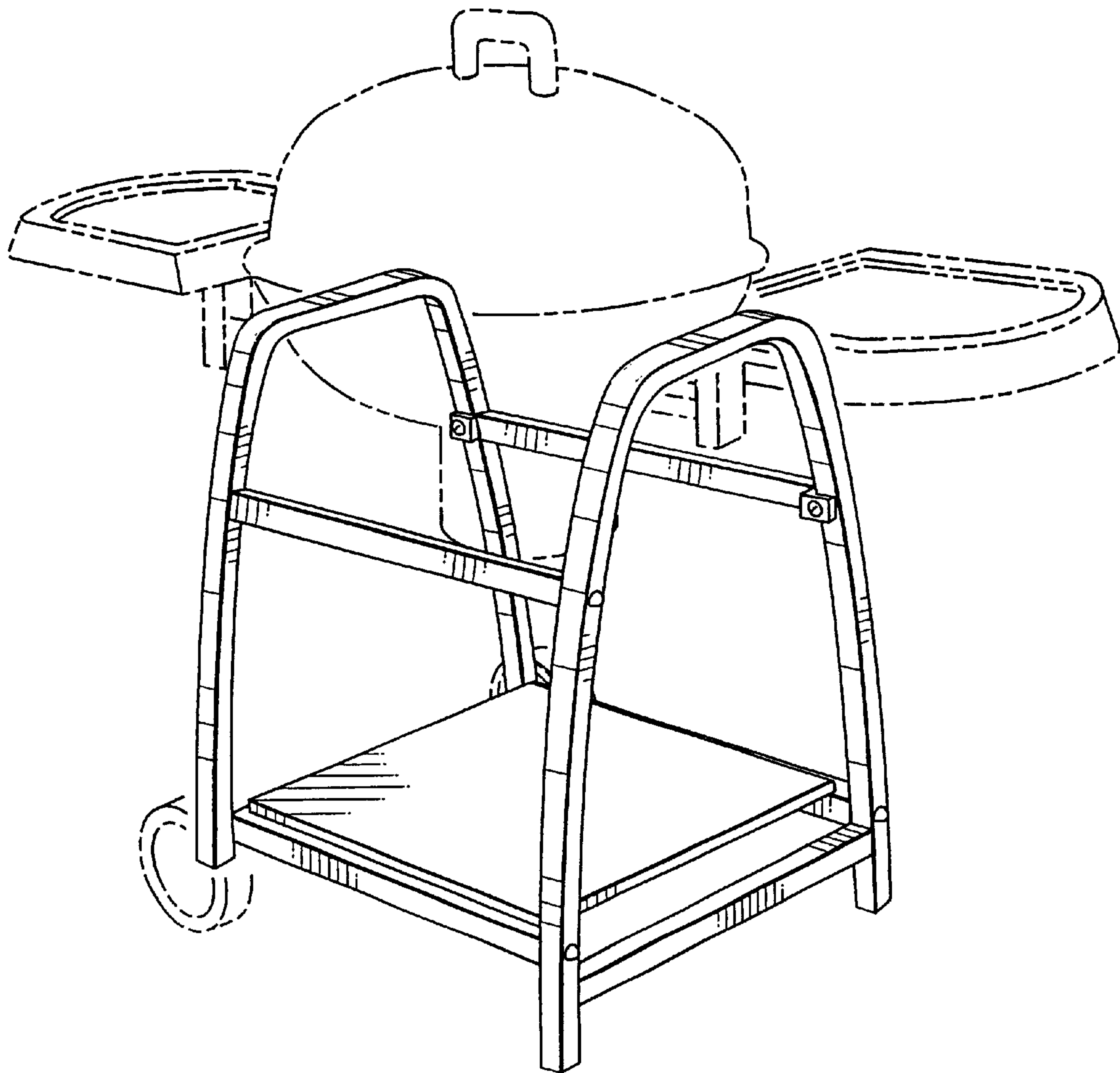


Fig. 4

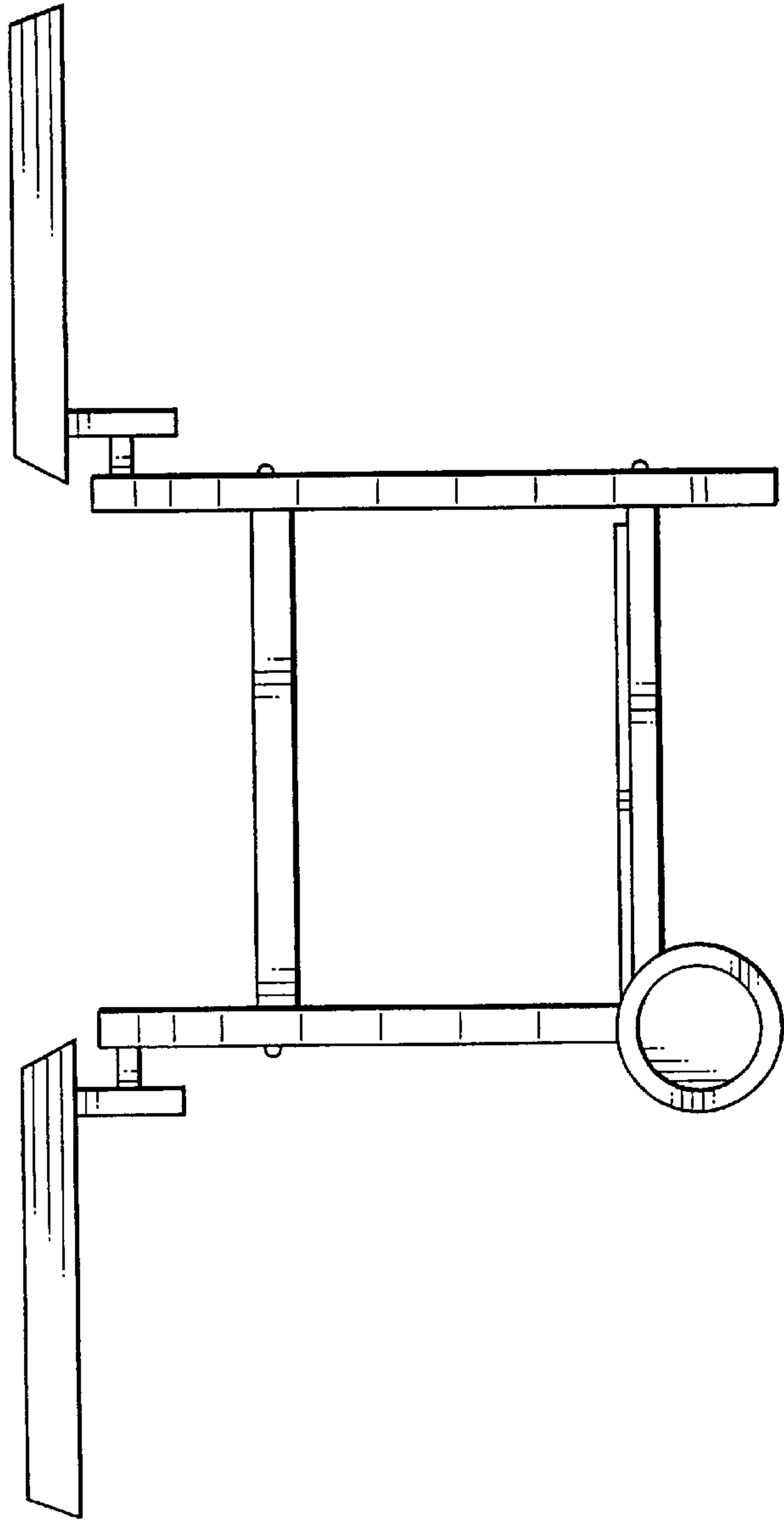


Fig. 3

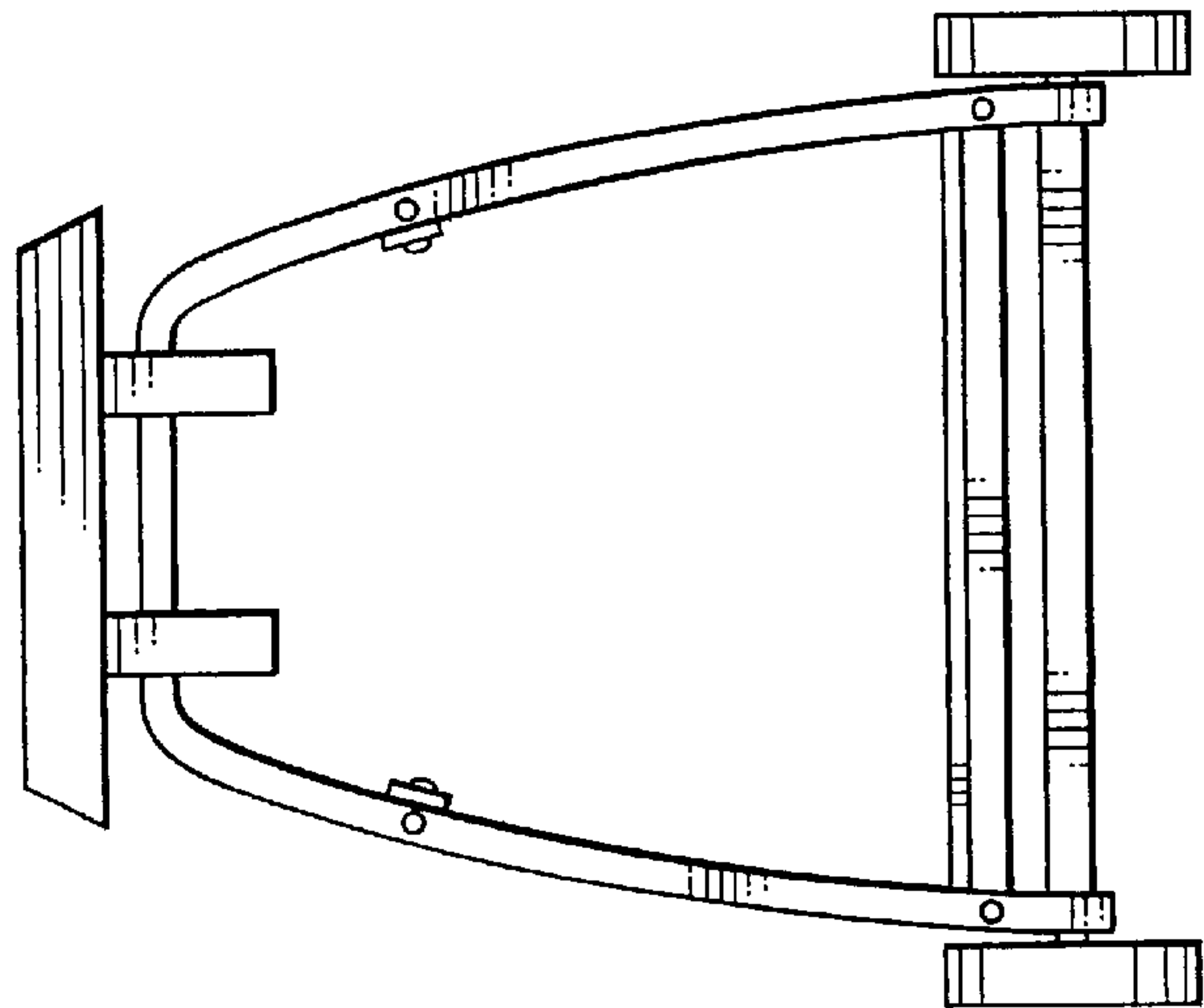


Fig. 5

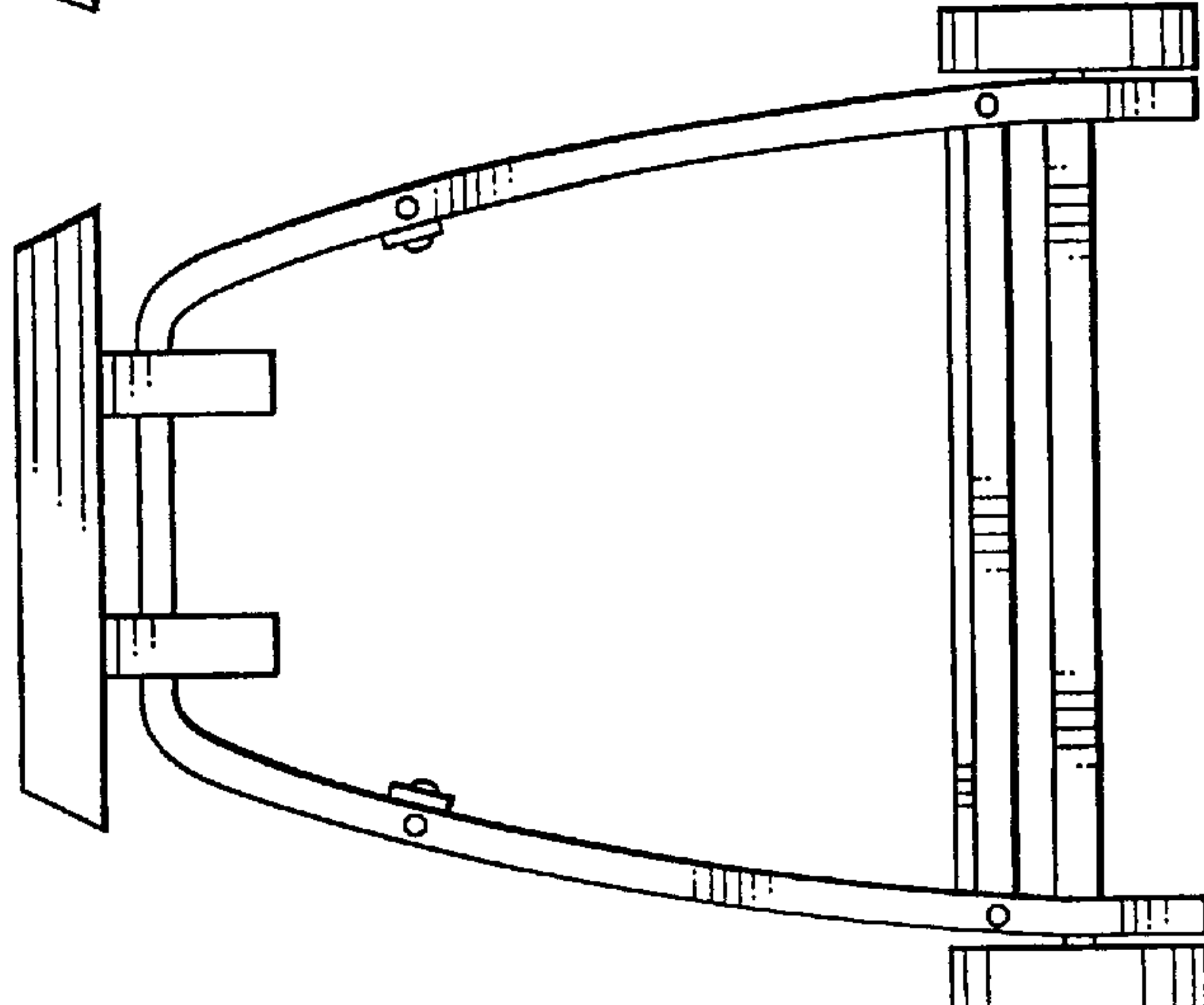
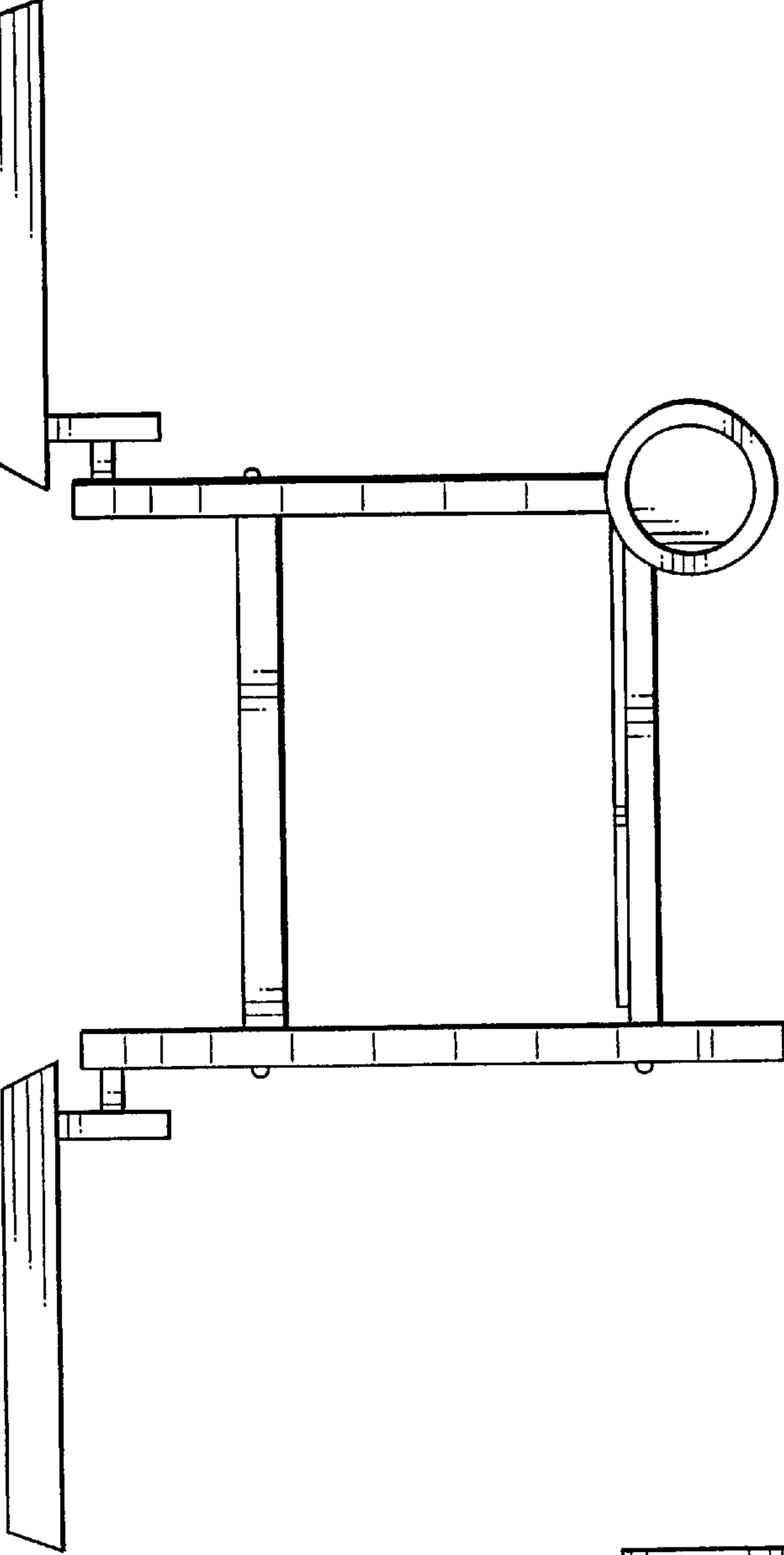


Fig. 6



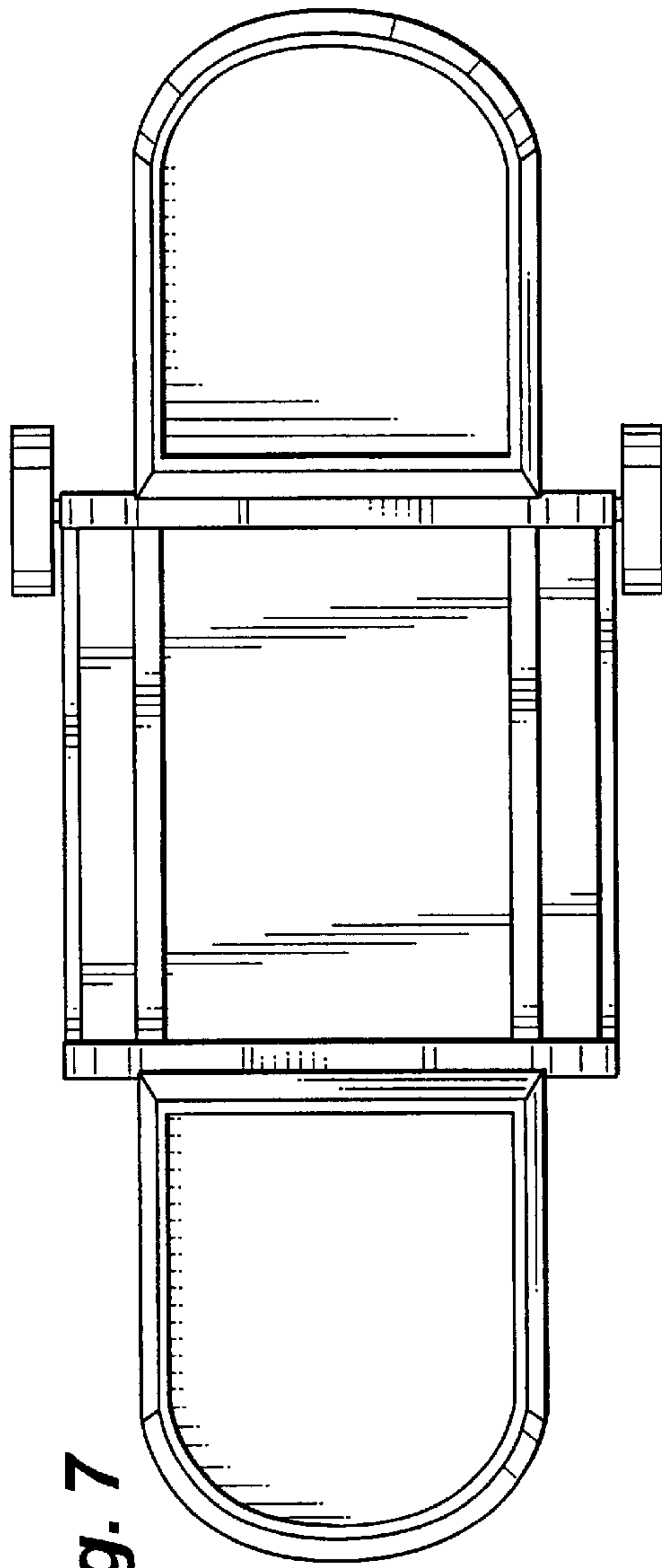


Fig. 7

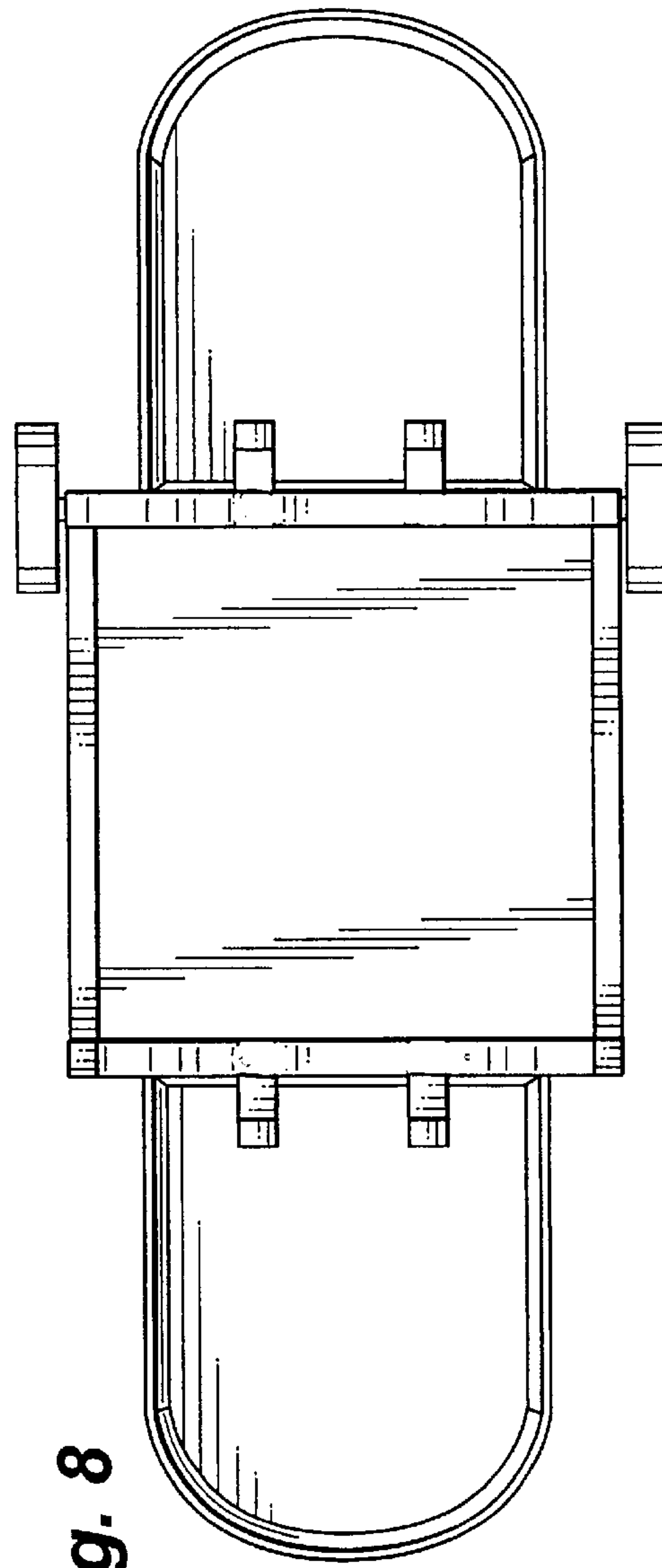


Fig. 8