

US00D516859S

(12) **United States Design Patent**  
**Zettle et al.**

(10) **Patent No.:** **US D516,859 S**  
(45) **Date of Patent:** **\*\* Mar. 14, 2006**

(54) **TAB FOR A CONTAINER LID**  
(75) Inventors: **Jeffrey J. Zettle**, Bay City, MI (US);  
**Lawrence C. Stanos**, Midland, MI  
(US); **Marissa A. K. Schultz**, Racine,  
WI (US); **Donald E. Hodge**, Clare, MI  
(US)

3,653,575 A 4/1972 Schrepper  
3,677,435 A 7/1972 Davis  
3,737,093 A 6/1973 Amberg et al.  
3,743,133 A 7/1973 Rathbun  
3,759,416 A 9/1973 Constantine  
3,773,207 A 11/1973 Dokoupil et al.  
3,779,418 A 12/1973 Davis  
3,797,694 A 3/1974 See et al.  
D235,621 S 7/1975 Cawrse

(73) Assignee: **S.C. Johnson Home Storage, Inc.**,  
Racine, WI (US)

(Continued)

(\*\*) Term: **14 Years**

*Primary Examiner*—Caron D. Veynar  
*Assistant Examiner*—Vy Nguyen

(21) Appl. No.: **29/179,923**

(57) **CLAIM**

(22) Filed: **Apr. 17, 2003**

The ornamental design for a tab for a container lid, as shown.

(51) **LOC (8) Cl.** ..... **07-01**

(52) **U.S. Cl.** ..... **D7/392.1**

(58) **Field of Classification Search** ..... D7/392.1,  
D7/510, 511, 316, 317, 321, 322, 703, 629,  
D7/397, 398, 354; D9/523-525, 529, 428,  
D9/434-454; 206/508, 518; 220/578

See application file for complete search history.

**DESCRIPTION**

FIG. 1 is a perspective view of the tab for a container lid according to a first embodiment;  
FIG. 2 is a side view of the tab according to the first embodiment;  
FIG. 3 is a top view of the tab according to the first embodiment;  
FIG. 4 is a bottom view of the tab according to the first embodiment;  
FIG. 5 is a perspective view of the tab according to a second embodiment;  
FIG. 6 is a front view of the tab according to the second embodiment;  
FIG. 7 is a top view of the tab according to the second embodiment; and,  
FIG. 8 is a bottom view of the tab according to the second embodiment.

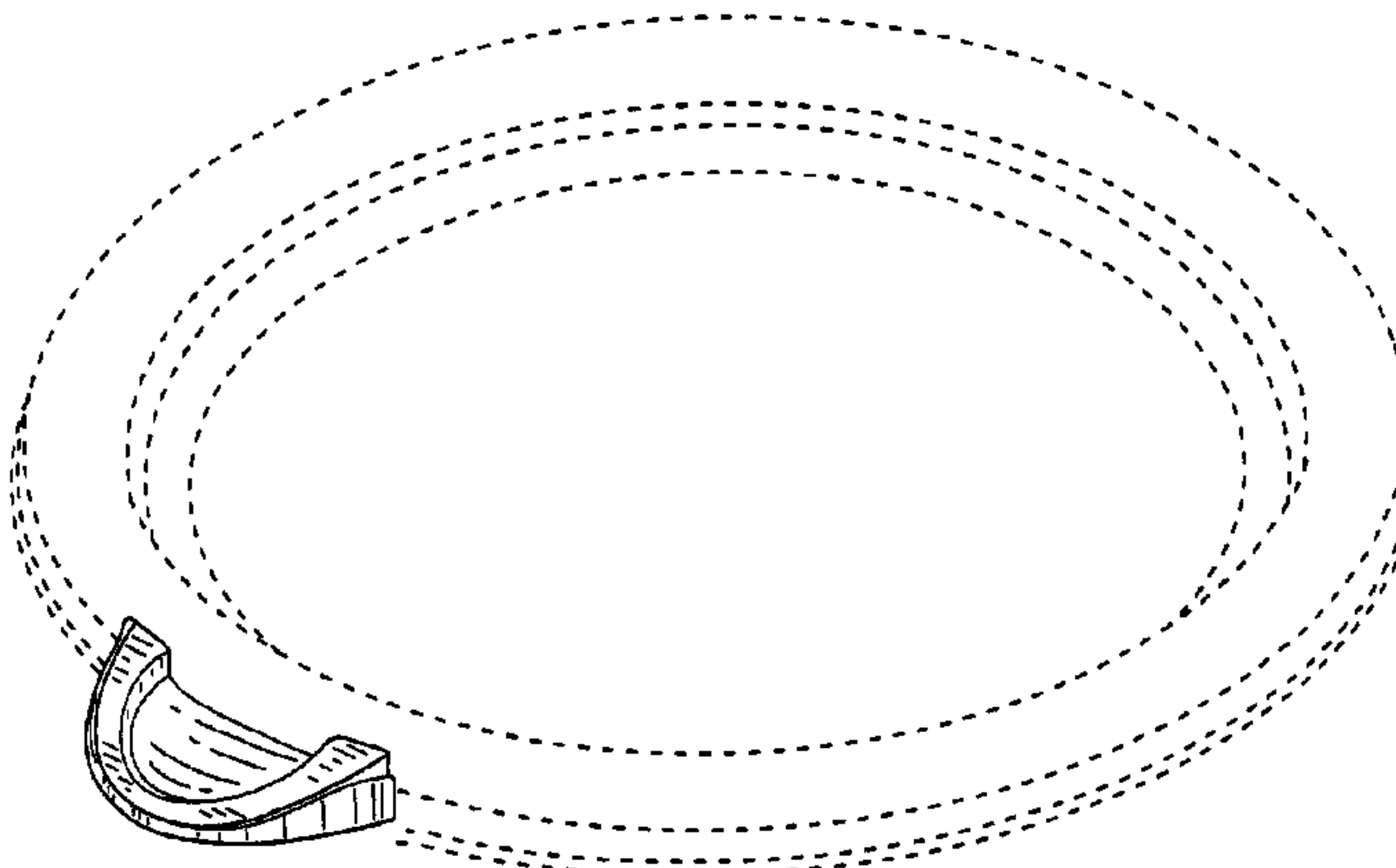
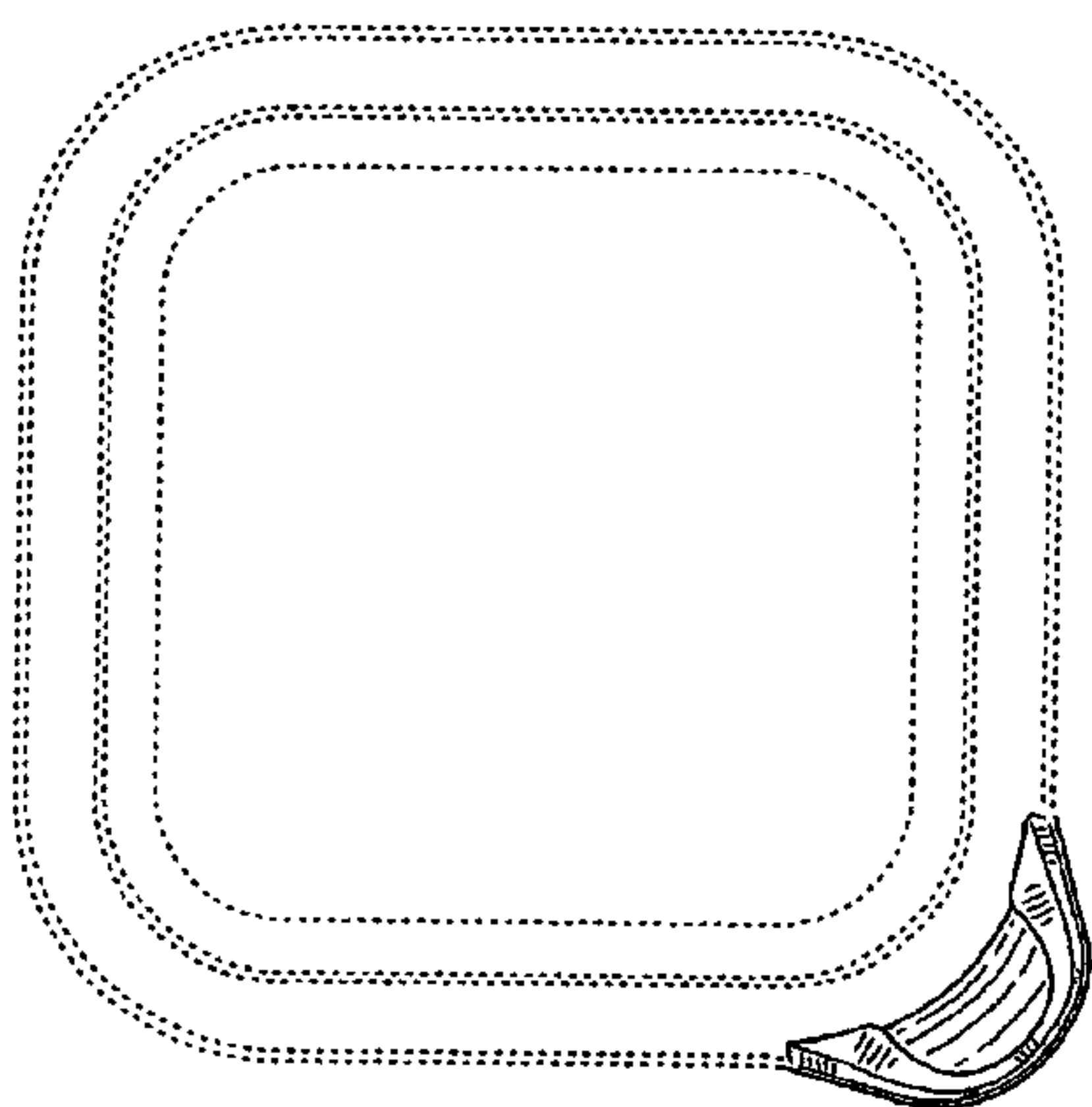
The features shown in broken lines form no part of the claim.

(56) **References Cited**

**U.S. PATENT DOCUMENTS**

2,985,354 A	5/1961	Aldington
3,122,296 A	2/1964	Fotos
3,262,602 A	7/1966	McConnell et al.
3,349,941 A	10/1967	Wanderer
3,360,162 A	12/1967	Miles
3,381,872 A	5/1968	Holder et al.
3,401,825 A	9/1968	Weiss
3,424,342 A	1/1969	Scopp et al.
3,520,441 A	7/1970	Fitzgerald
3,539,552 A	11/1970	Mounts et al.
3,613,938 A	10/1971	Westcott
3,615,039 A	10/1971	Ward

**1 Claim, 8 Drawing Sheets**



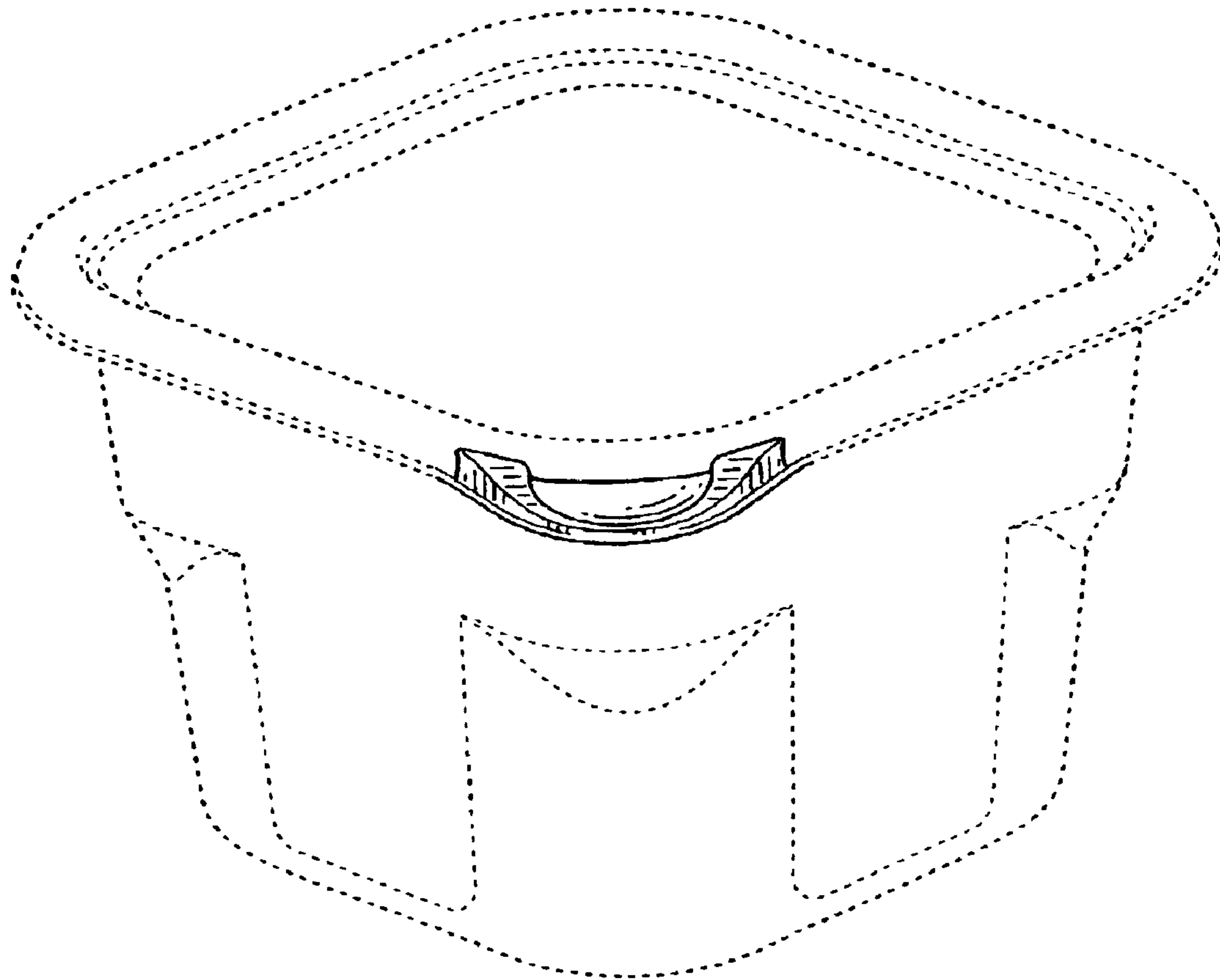
# US D516,859 S

Page 2

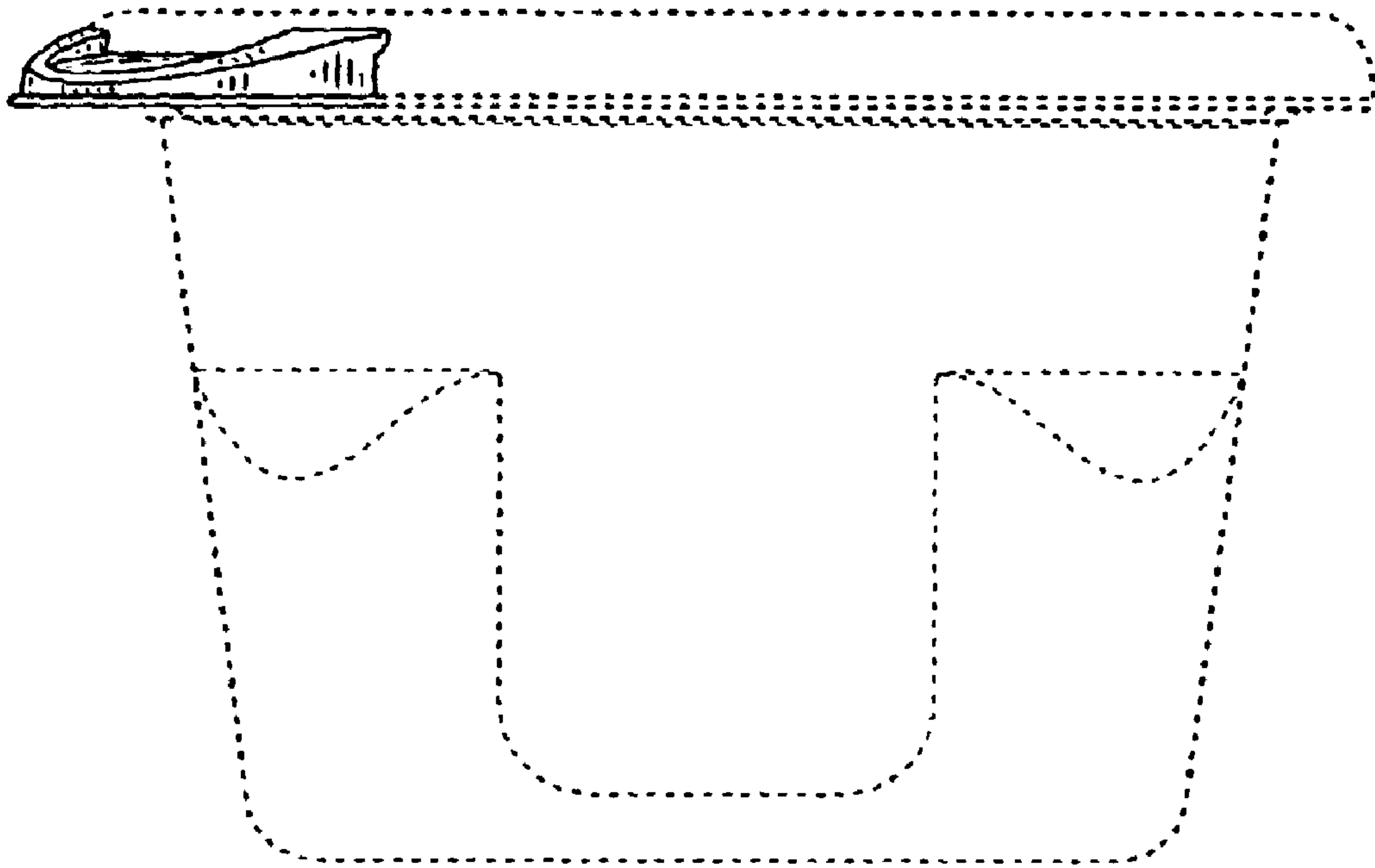
## U.S. PATENT DOCUMENTS

4,027,776 A	6/1977	Douglas	6,105,810 A	8/2000	Daenen et al.
4,058,247 A	11/1977	Florian	D432,858 S	* 10/2000	Hayes et al. .... D7/392.1
4,082,184 A	4/1978	Hammer	D432,859 S	* 10/2000	Hayes et al. .... D7/392.1
4,306,664 A	12/1981	Bawden	6,164,484 A	12/2000	Fiore et al.
4,412,630 A	11/1983	Daenen	6,168,044 B1	1/2001	Zettle et al.
4,444,332 A	4/1984	Widen et al.	6,170,696 B1	1/2001	Tucker et al.
4,474,305 A	10/1984	Marco	D440,470 S	4/2001	Tucker et al.
4,574,174 A	3/1986	McGonigle ..... 219/10.55 M	D440,830 S	4/2001	Tucker et al.
4,765,506 A	8/1988	Fishman et al.	6,213,301 B1	4/2001	Landis et al.
4,787,527 A	11/1988	Monetti	6,213,302 B1	4/2001	Sanders et al.
4,797,523 A	1/1989	Kohnen ..... 219/10.55 E	6,216,905 B1	4/2001	Mogard et al.
4,819,824 A	4/1989	Longbottom et al.	6,217,136 B1	4/2001	Dorfman et al.
4,836,407 A	6/1989	Bruce et al.	D442,484 S	5/2001	Maxwell et al.
4,844,263 A	7/1989	Hadtke	6,230,924 B1	5/2001	Weiss et al.
D305,002 S	12/1989	Hayes et al.	D443,184 S	6/2001	Maxwell et al.
D305,003 S	12/1989	Hayes et al.	D443,484 S	6/2001	Maxwell et al.
4,917,261 A	4/1990	Borst	D443,798 S	6/2001	Tucker et al.
4,974,742 A	12/1990	Farrell et al.	D445,649 S	7/2001	Maxwell et al.
4,986,438 A	1/1991	Borst	D445,650 S	7/2001	Maxwell et al.
5,012,928 A	5/1991	Proffitt et al.	6,257,434 B1	7/2001	Lizzio
5,040,682 A	8/1991	Palisin, Jr. et al.	6,260,729 B1	7/2001	Mitchell et al.
D319,978 S	9/1991	Wolff	6,260,731 B1	7/2001	Cummings
D320,744 S	10/1991	Palisin, Jr.	D446,077 S	8/2001	Tucker et al.
D321,652 S	11/1991	Palisin, Jr.	D446,450 S	8/2001	Zettle et al.
5,065,889 A	11/1991	Conti	6,273,258 B1	8/2001	Piacenza
D322,032 S	12/1991	Palisin, Jr.	6,276,555 B1	8/2001	Edwards
D322,033 S	12/1991	Palisin, Jr. et al.	D447,382 S	9/2001	Tucker et al.
5,147,059 A	9/1992	Olsen et al.	D448,288 S	9/2001	Zettle et al.
5,293,997 A	3/1994	Hustad et al.	6,283,298 B1	9/2001	Seidler
5,344,021 A	9/1994	Rose	D448,991 S	10/2001	Zettle et al.
5,348,181 A	9/1994	Smith et al.	D449,495 S	10/2001	Tucker et al.
5,356,026 A	10/1994	Andress et al.	6,305,546 B1	10/2001	Saunders et al.
5,388,714 A	2/1995	Zutler	D450,983 S	11/2001	Tucker et al.
5,390,797 A	2/1995	Smalley et al.	6,325,234 B1	12/2001	Legaspi
5,489,036 A	2/1996	Arkins	6,343,709 B1	2/2002	DeForrest et al.
5,542,234 A	8/1996	Wyslotsky et al.	6,349,820 B1	2/2002	Kelley et al.
5,624,051 A	4/1997	Ahern, Jr. et al.	6,364,112 B1	4/2002	Pitschka
D390,109 S	2/1998	Tucker et al.	6,364,152 B1	4/2002	Poslinski et al.
5,758,791 A	6/1998	Mangia	D462,880 S	9/2002	Maxwell et al.
5,758,793 A	6/1998	Forsyth et al.	D465,154 S	11/2002	O'Brien
5,806,710 A	9/1998	Shiffer et al.	D466,299 S	12/2002	Zimmerman
5,894,953 A	4/1999	Ramirez	D469,300 S	* 1/2003	Nakazawa ..... D7/354
D411,741 S	6/1999	Wilson et al.	D478,469 S	* 8/2003	Roth et al. .... D7/392.1
5,972,292 A	10/1999	DeMeo	D485,468 S	* 1/2004	Roth et al. .... D7/392.1
5,992,679 A	11/1999	Porcia et al.	D505,839 S	* 6/2005	Stanos et al. .... D7/629
D428,310 S	7/2000	Zettle et al.	D506,106 S	* 6/2005	Ordiway et al. .... D7/629
D428,777 S	* 8/2000	Hayes et al. .... D7/629	D507,155 S	* 7/2005	Gosen et al. .... D7/629

\* cited by examiner

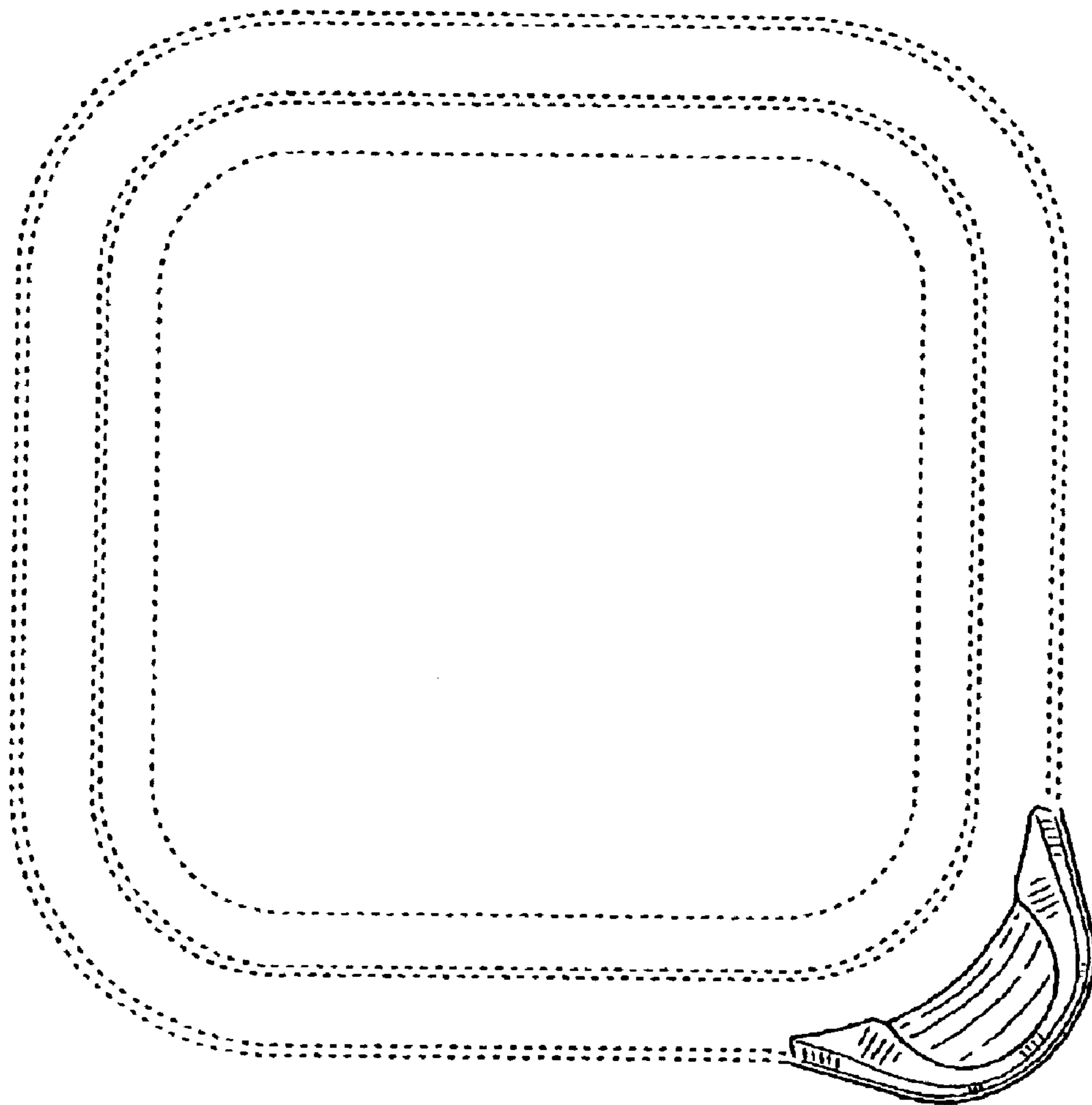


**FIG. 1**

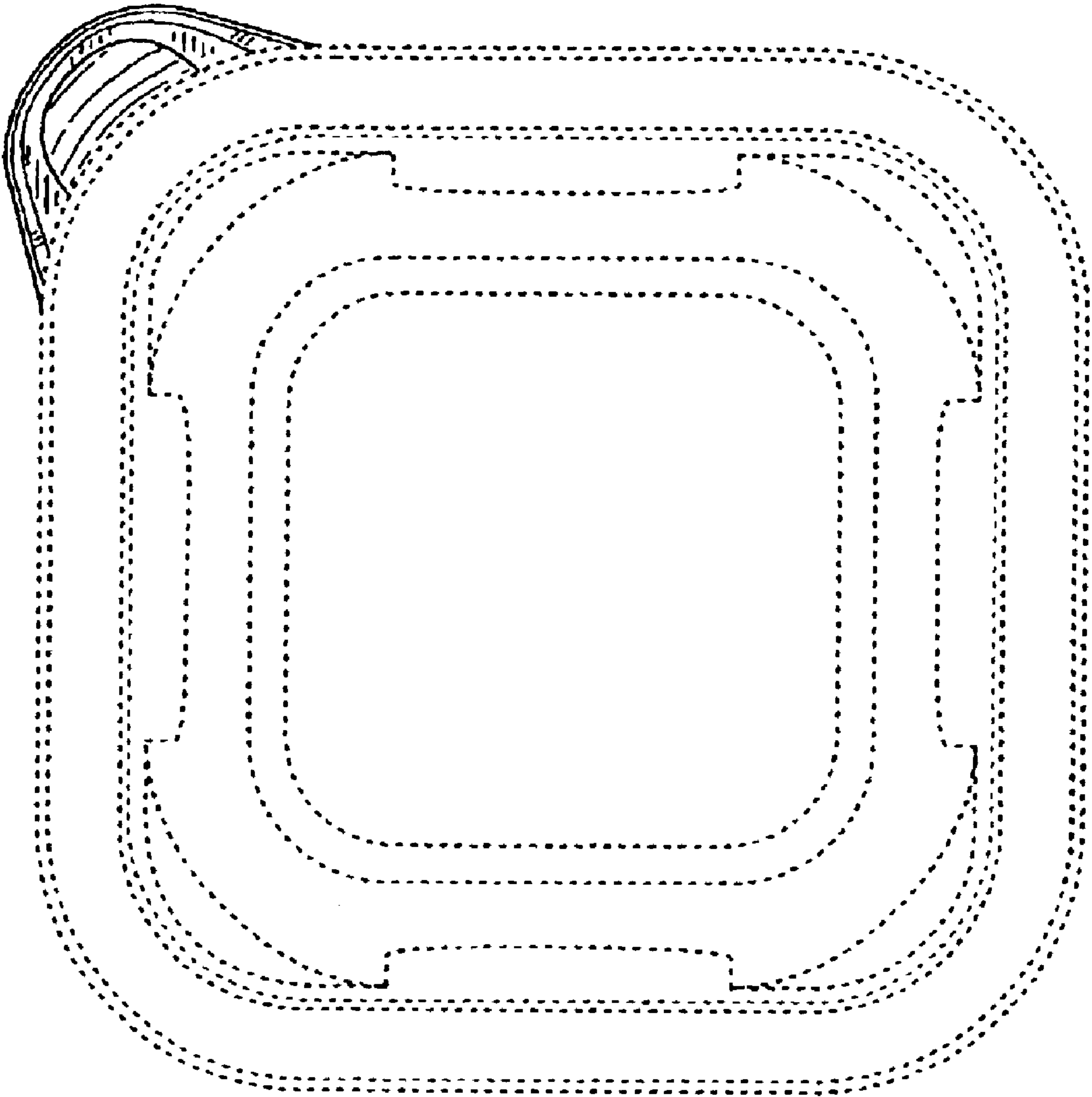


**FIG. 2**





**FIG. 3**



**FIG. 4**

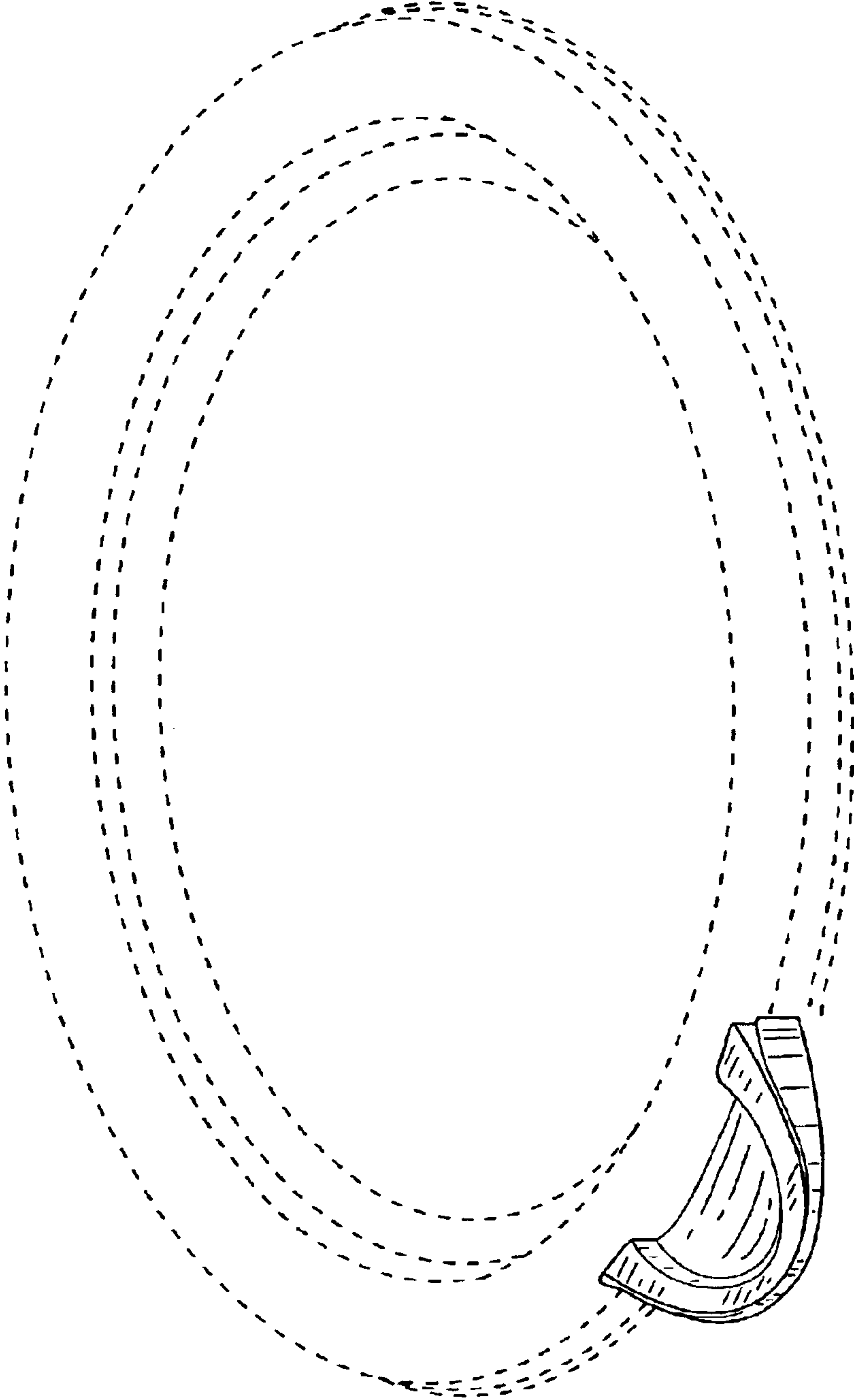
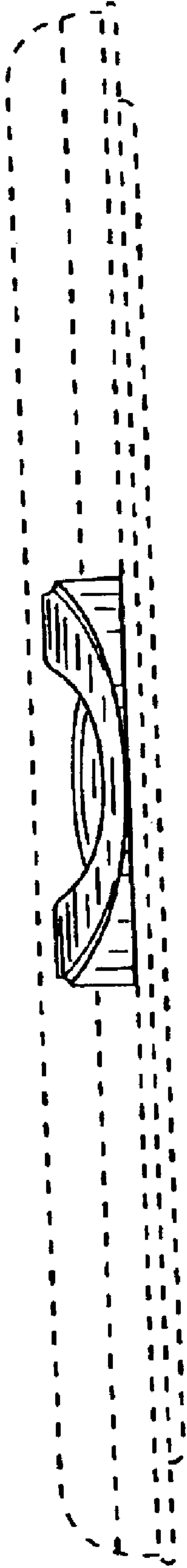
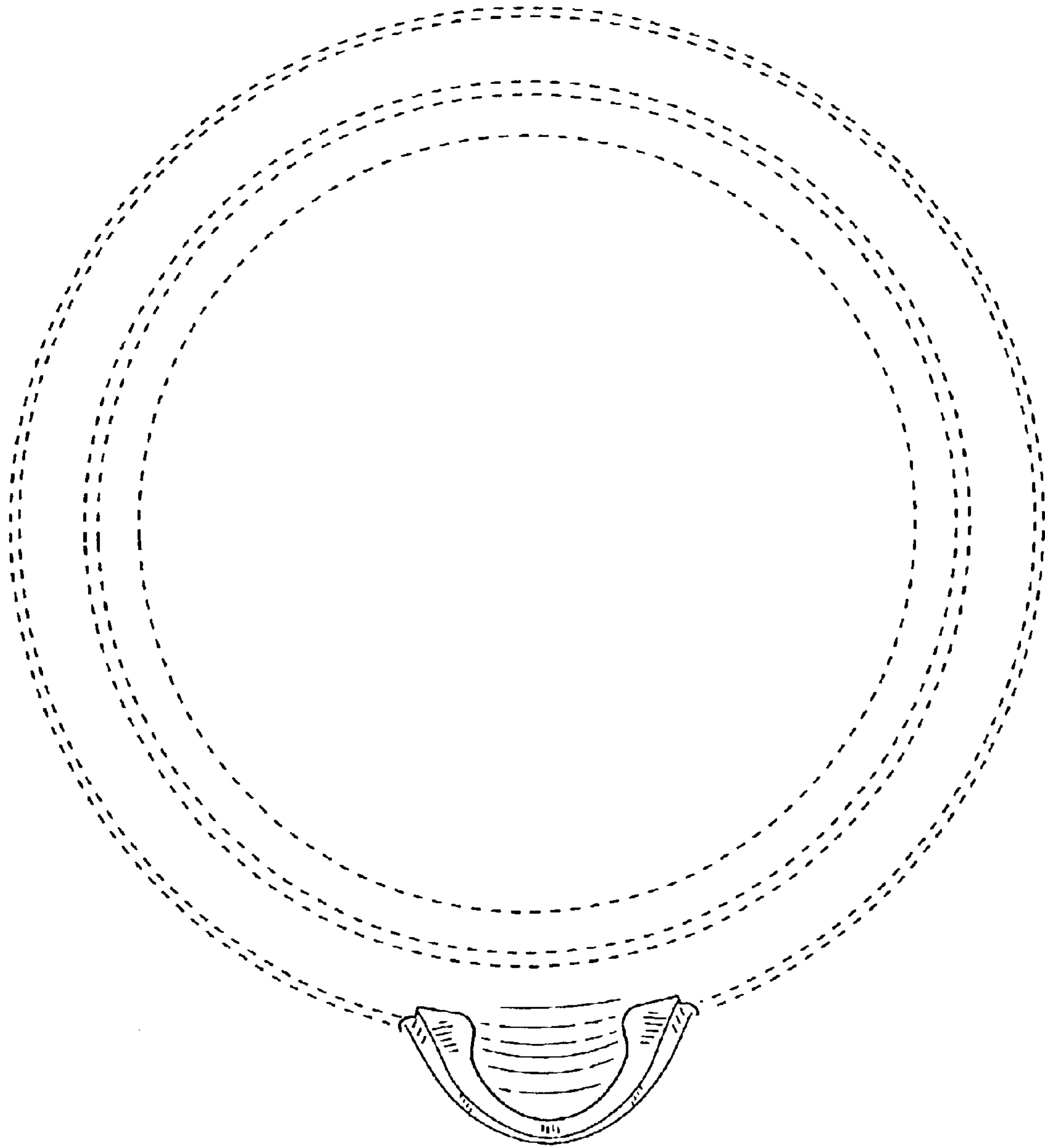


FIG. 5

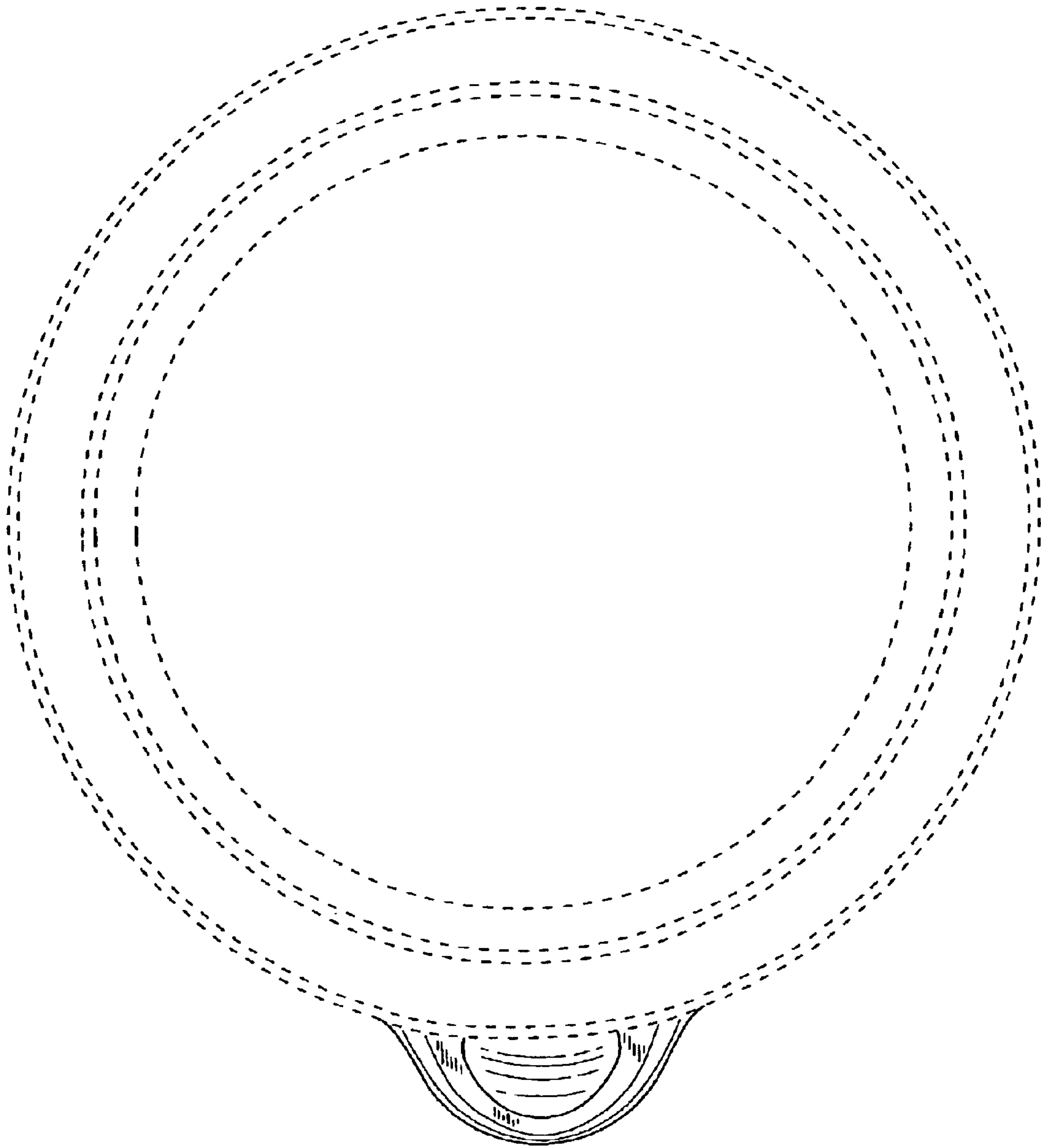


**FIG. 6**





**FIG. 7**



**FIG. 8**