



US00D516853S

(12) **United States Design Patent**
Wu

(10) **Patent No.:** **US D516,853 S**
(45) **Date of Patent:** **** Mar. 14, 2006**

(54) **TOWEL HANGER BASE**

(75) **Inventor:** **Shin-Wang Wu, Taipei (TW)**

(73) **Assignee:** **Penta Hardware Co., Ltd., Taipei (TW)**

(**) **Term:** **14 Years**

(21) **Appl. No.:** **29/225,479**

(22) **Filed:** **Mar. 17, 2005**

(51) **LOC (8) Cl.** **06-04**

(52) **U.S. Cl.** **D6/550**

(58) **Field of Classification Search** D6/546-550,
D6/518-523; D8/300, 303, 315-321, 349,
D8/354, 363, 373, 380; 108/28-29; 248/175,
248/176.1, 251, 302, 309.1; 16/110.1, 412,
16/415; 242/570, 590, 595-598; 211/13.1,
211/16, 60.1, 100, 86.01, 87.01, 88.01, 88.04,
211/105.1-105.2, 123, 182, 181.1

See application file for complete search history.

(56) **References Cited**

U.S. PATENT DOCUMENTS

D66,316 S * 12/1924 Baker D6/550
D128,782 S * 8/1941 Hallensheid D6/550
D448,593 S * 10/2001 Harvey D6/550

* cited by examiner

Primary Examiner—Brian N Vinson

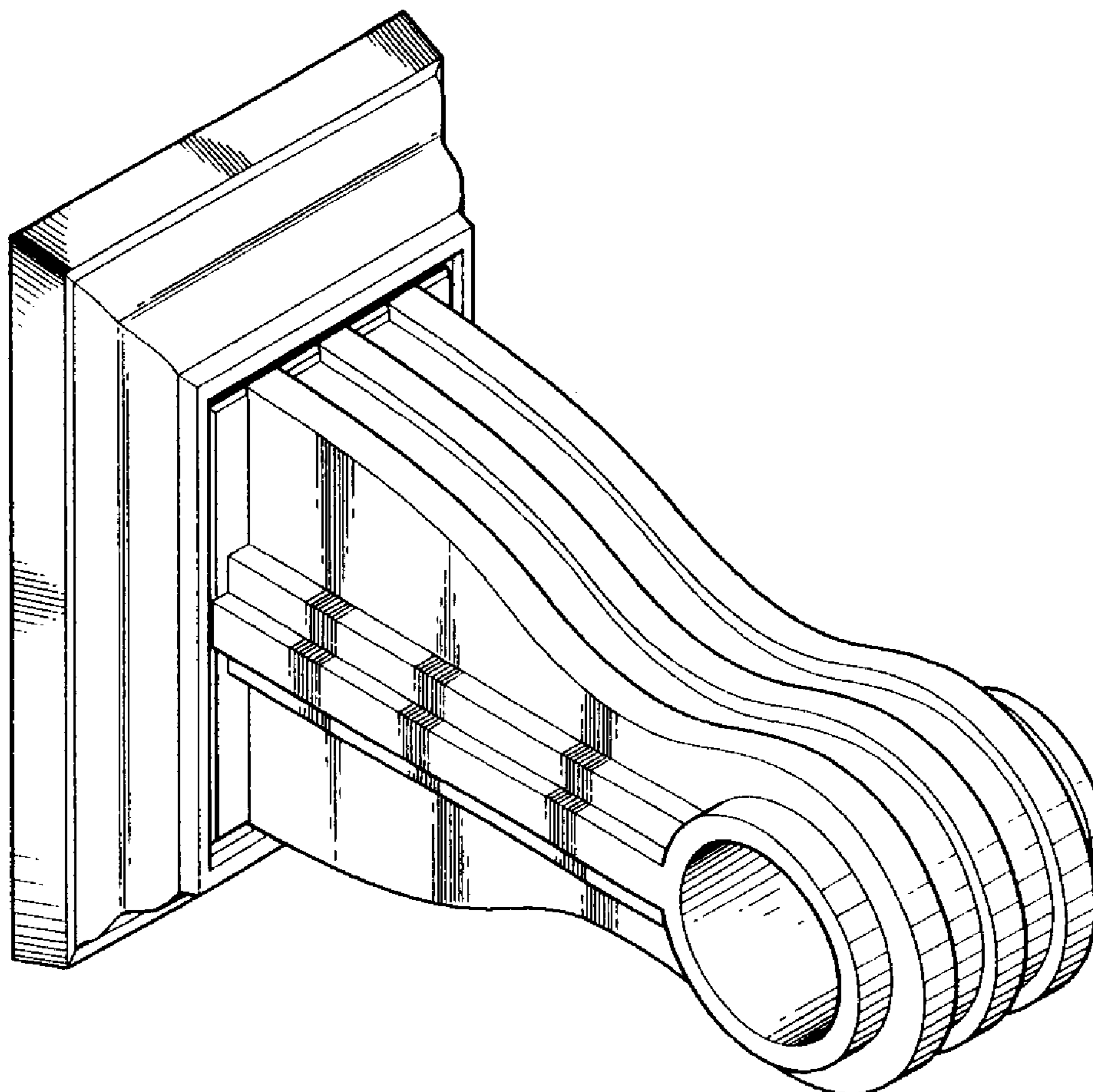
(57) **CLAIM**

The ornamental design for towel hanger base, as shown and described.

DESCRIPTION

FIG. 1 is a perspective view thereof;
FIG. 2 is a front view thereof;
FIG. 3 is a back view thereof;
FIG. 4 is a left side view thereof;
FIG. 5 is a right side view thereof;
FIG. 6 is a top view thereof; and,
FIG. 7 is a bottom view thereof.

1 Claim, 4 Drawing Sheets



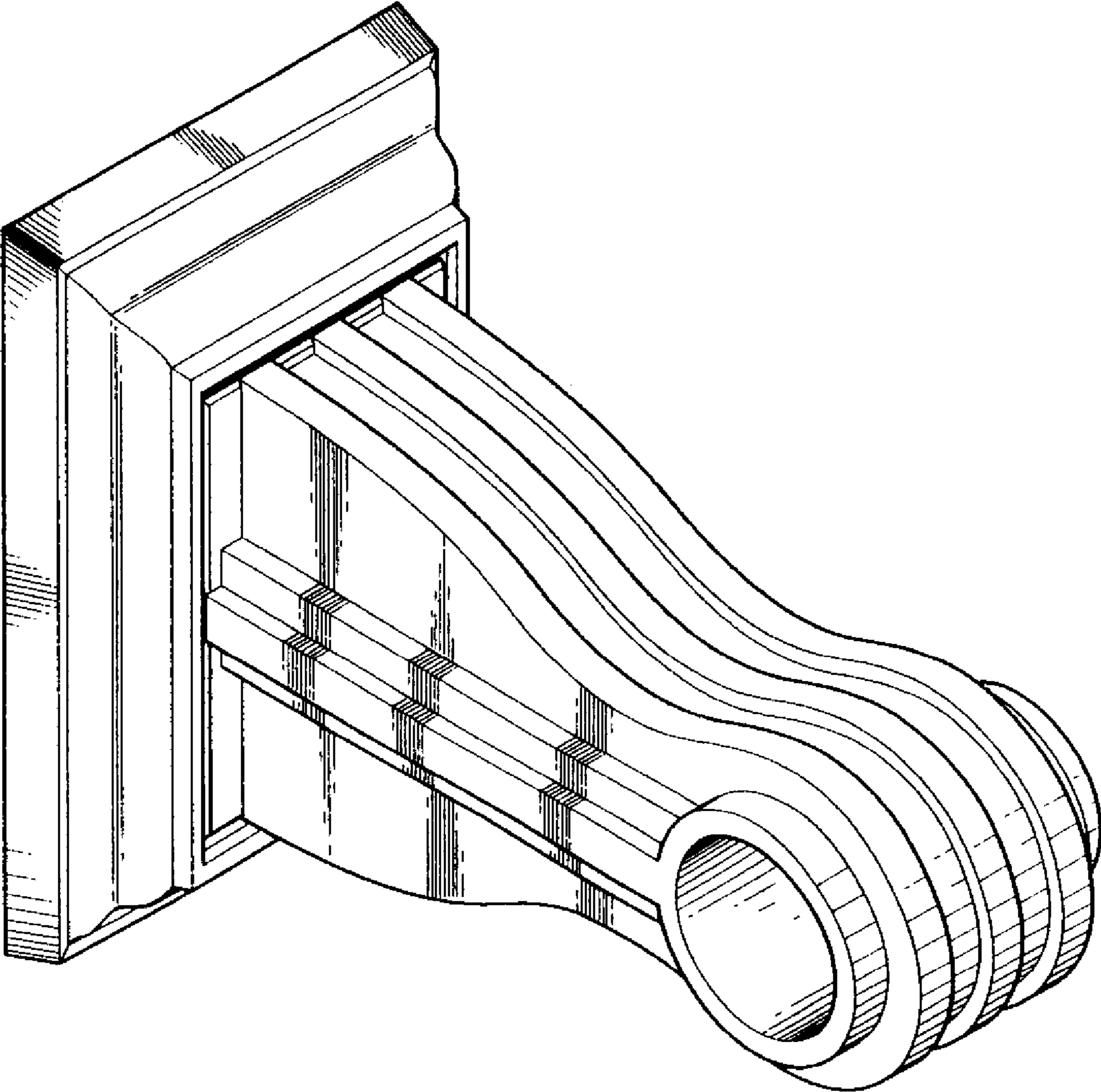


Fig. 1

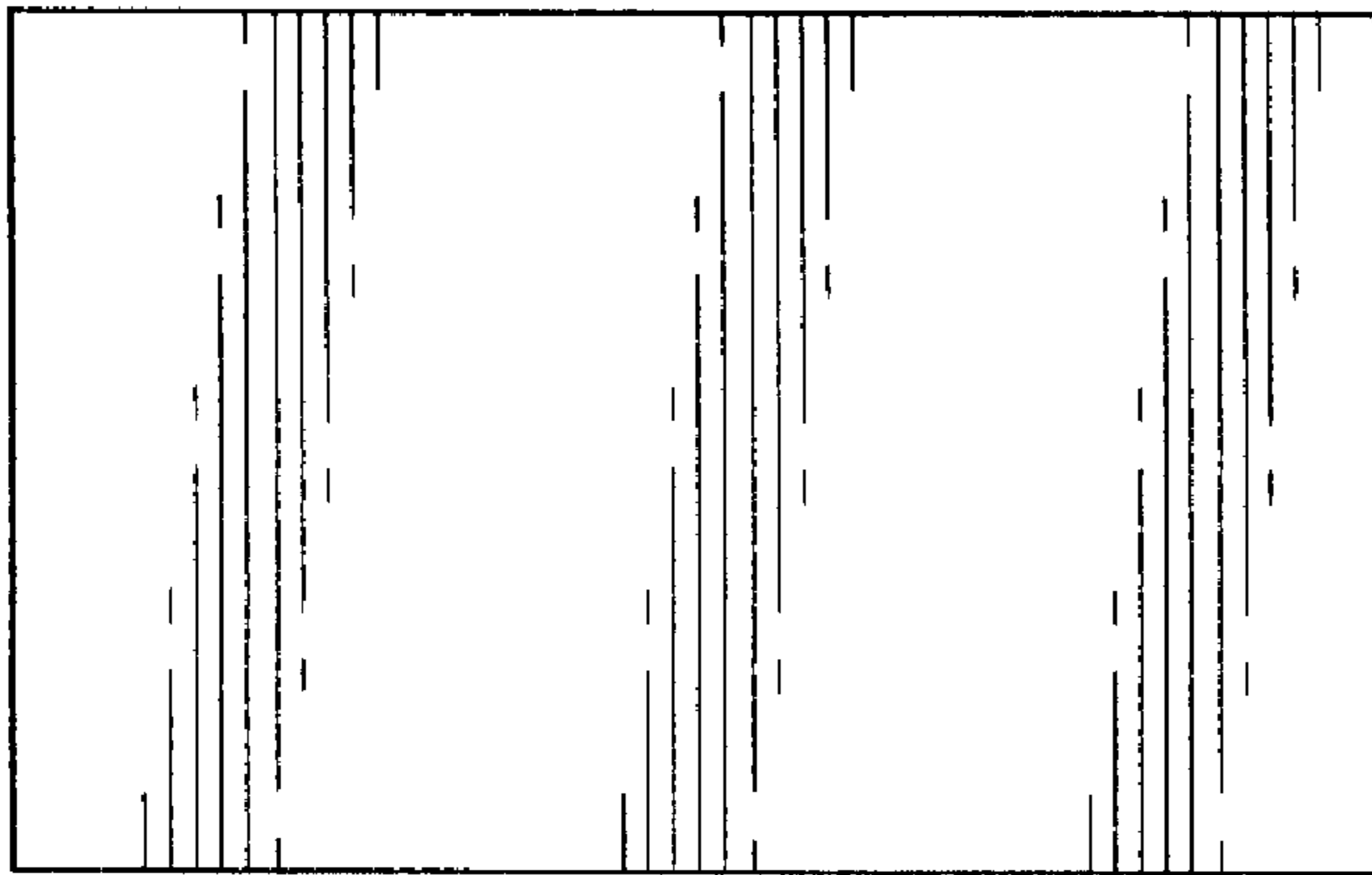


Fig. 3

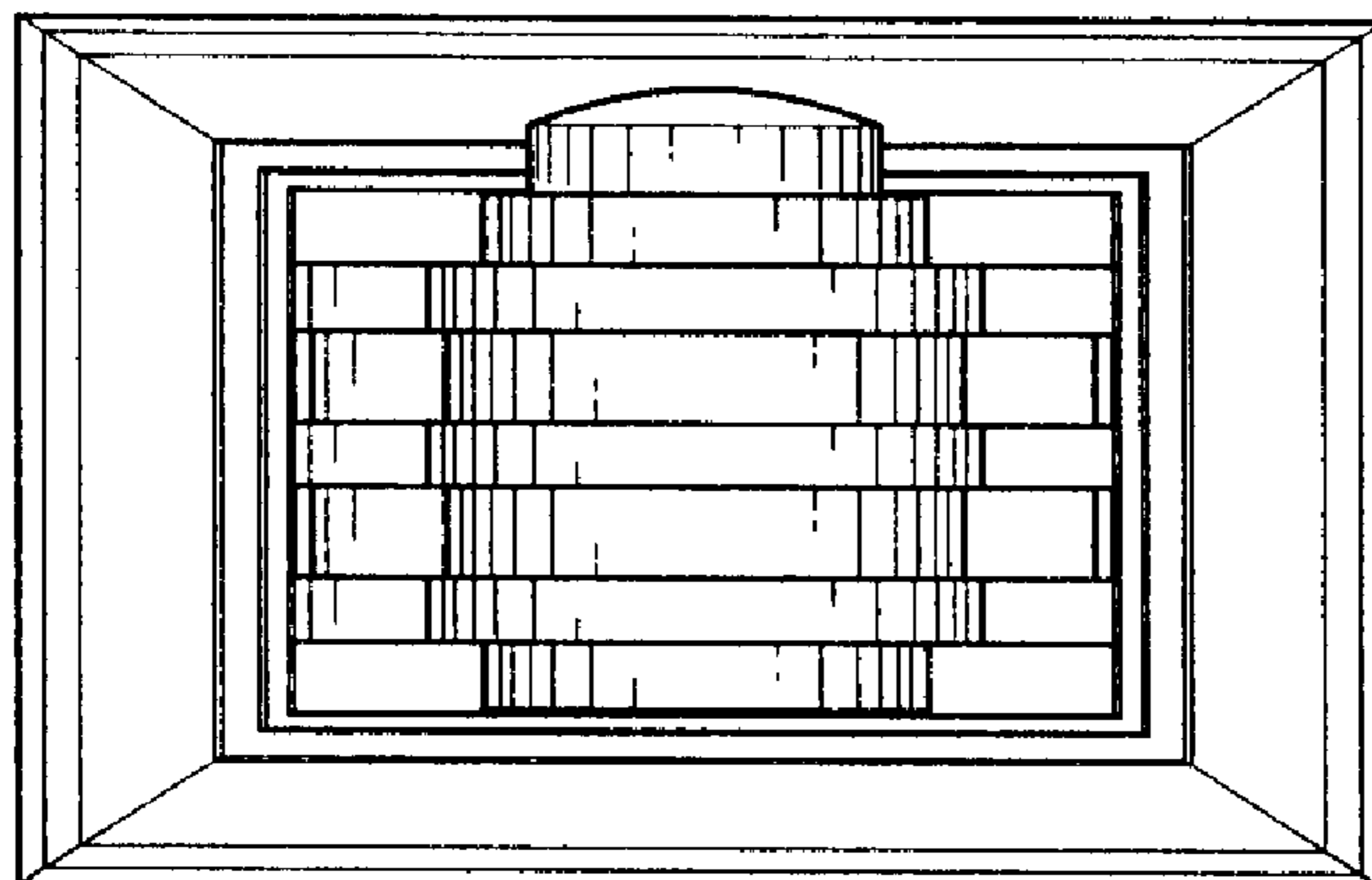


Fig. 2

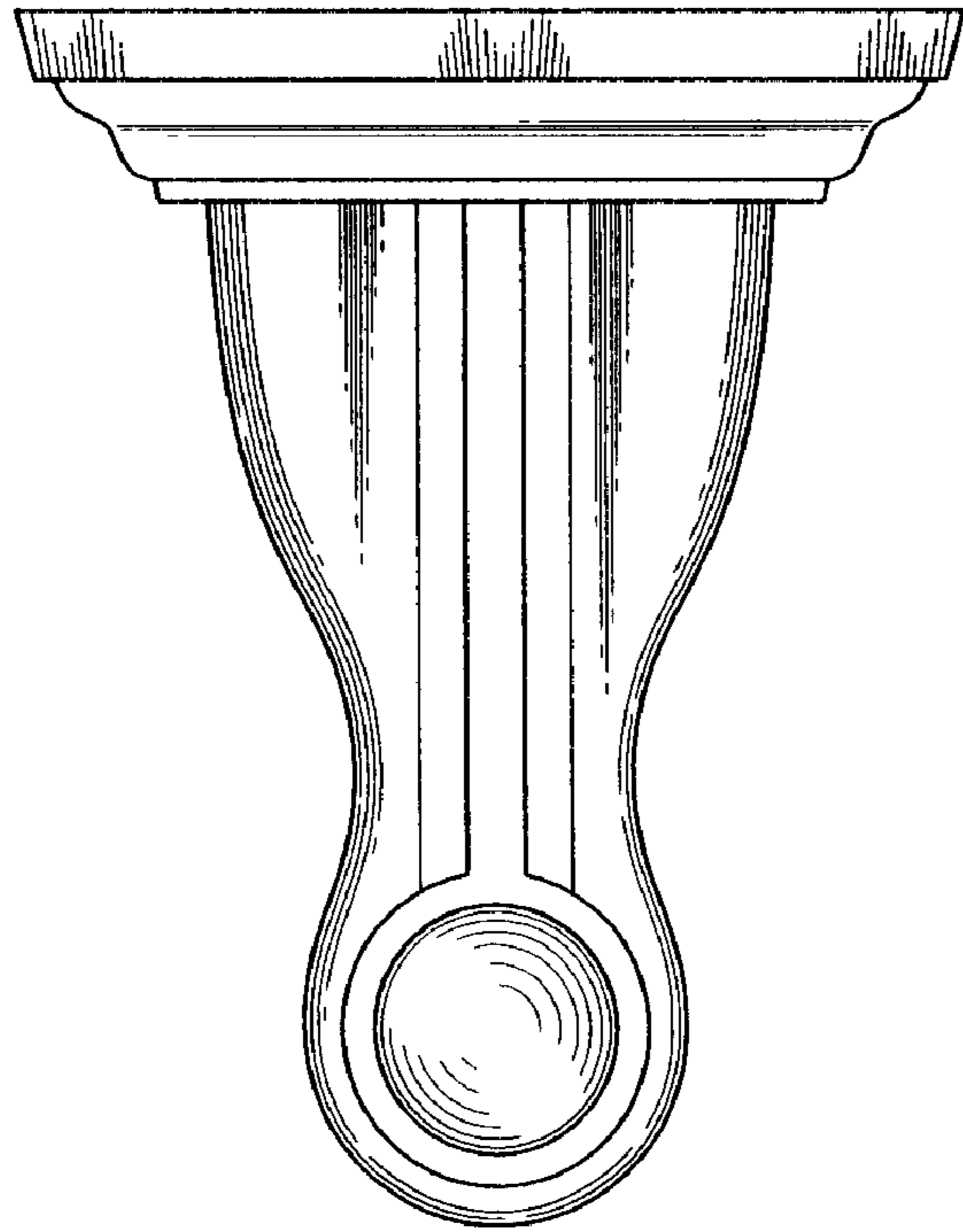


Fig. 5

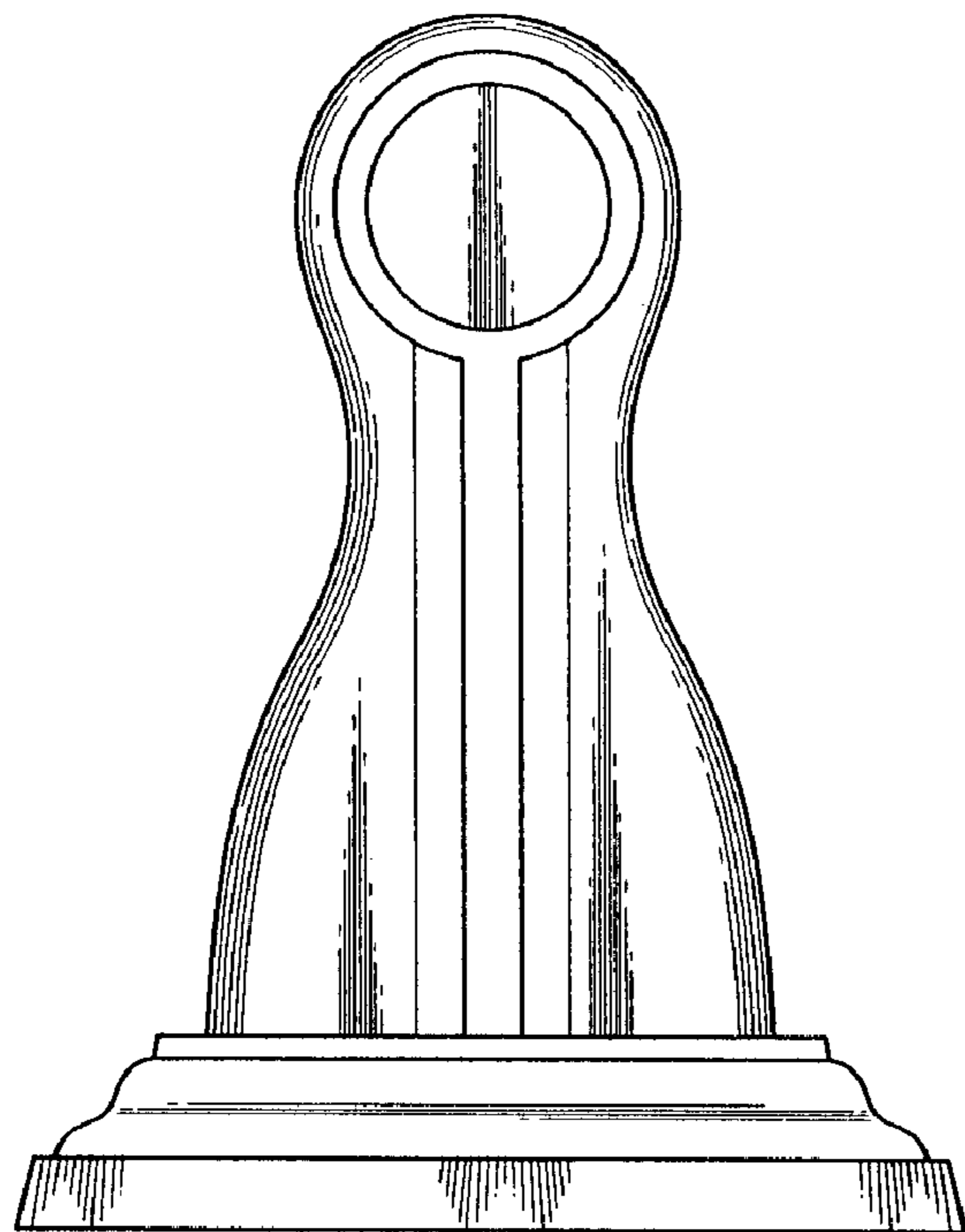


Fig. 4

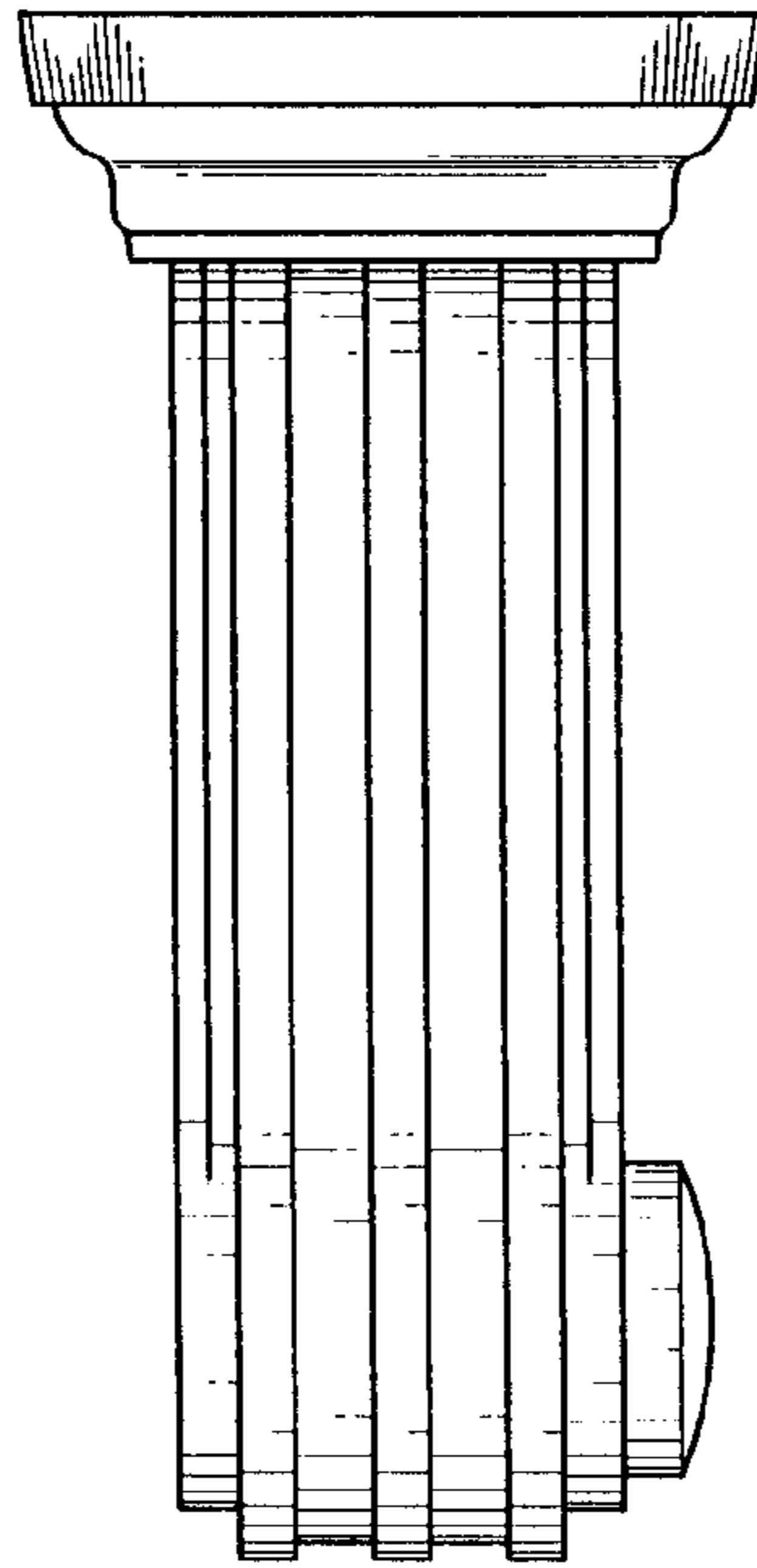


Fig. 6

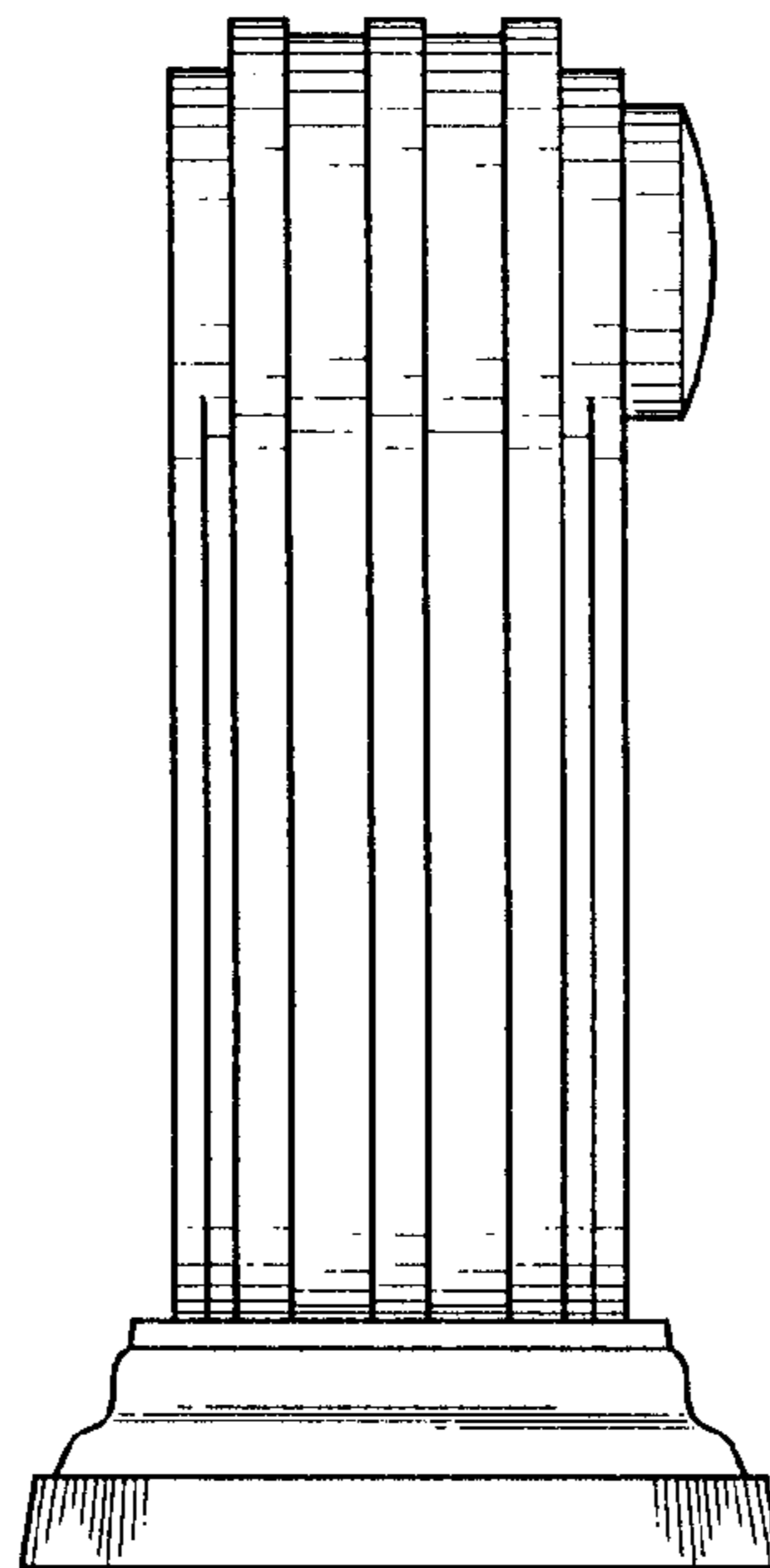


Fig. 7