



US00D516850S

(12) **United States Design Patent**
Shieh

(10) **Patent No.:** **US D516,850 S**
(45) **Date of Patent:** **** Mar. 14, 2006**

(54) **TOWEL RACK**

(75) **Inventor:** **Ming Yun Shieh, Changhua Hsien (TW)**

(73) **Assignee:** **Horng Lai Industrial Co., LTD, Changhua Hsien (TW)**

(**) **Term:** **14 Years**

(21) **Appl. No.:** **29/219,685**

(22) **Filed:** **Dec. 22, 2004**

(51) **LOC (8) Cl.** **06-04**

(52) **U.S. Cl.** **D6/549**

(58) **Field of Classification Search** D6/546-550,
D6/518-519, 522-524; D8/300, 303, 315-321;
108/28-29; 248/175, 176.1, 251, 302; 16/110.1,
16/412, 415; 242/570, 590, 595-598; 211/13.1,
211/16, 60.1, 100, 86.01, 87.01, 88.01, 88.04,
211/105.1, 105.2, 123, 182, 181.1

See application file for complete search history.

(56) **References Cited**

U.S. PATENT DOCUMENTS

D454,742 S * 3/2002 Meck et al. D6/549

D463,935 S * 10/2002 Zhao D6/549
D477,952 S * 8/2003 Gilbert D6/549
D478,448 S * 8/2003 Hoernig D6/549
D479,931 S * 9/2003 Gilbert D6/549
D492,530 S * 7/2004 Chen D6/549

* cited by examiner

Primary Examiner—Brian N Vinson
(74) *Attorney, Agent, or Firm*—Troxell Law Office, PLLC

(57) **CLAIM**

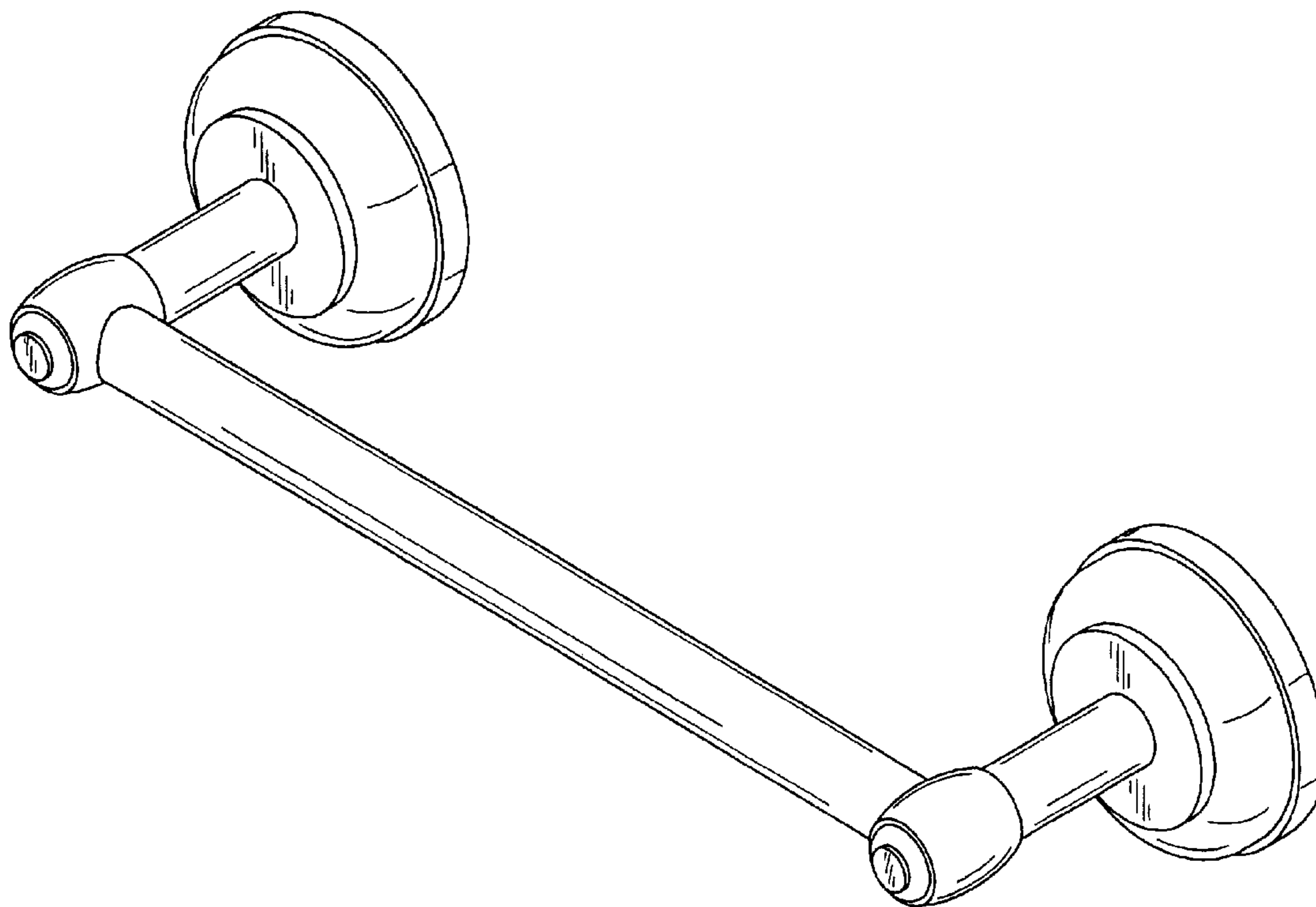
The ornamental design for the “towel rack,” as shown and described.

DESCRIPTION

FIG. 1 is a perspective view of a towel rack showing my new design;
FIG. 2 is a front view thereof;
FIG. 3 is a rear view thereof;
FIG. 4 is a right side and left side view thereof; and,
FIG. 5 is a top and bottom view thereof.

The broken-away towel bar in the views is understood to indicate indeterminate length.

1 Claim, 3 Drawing Sheets



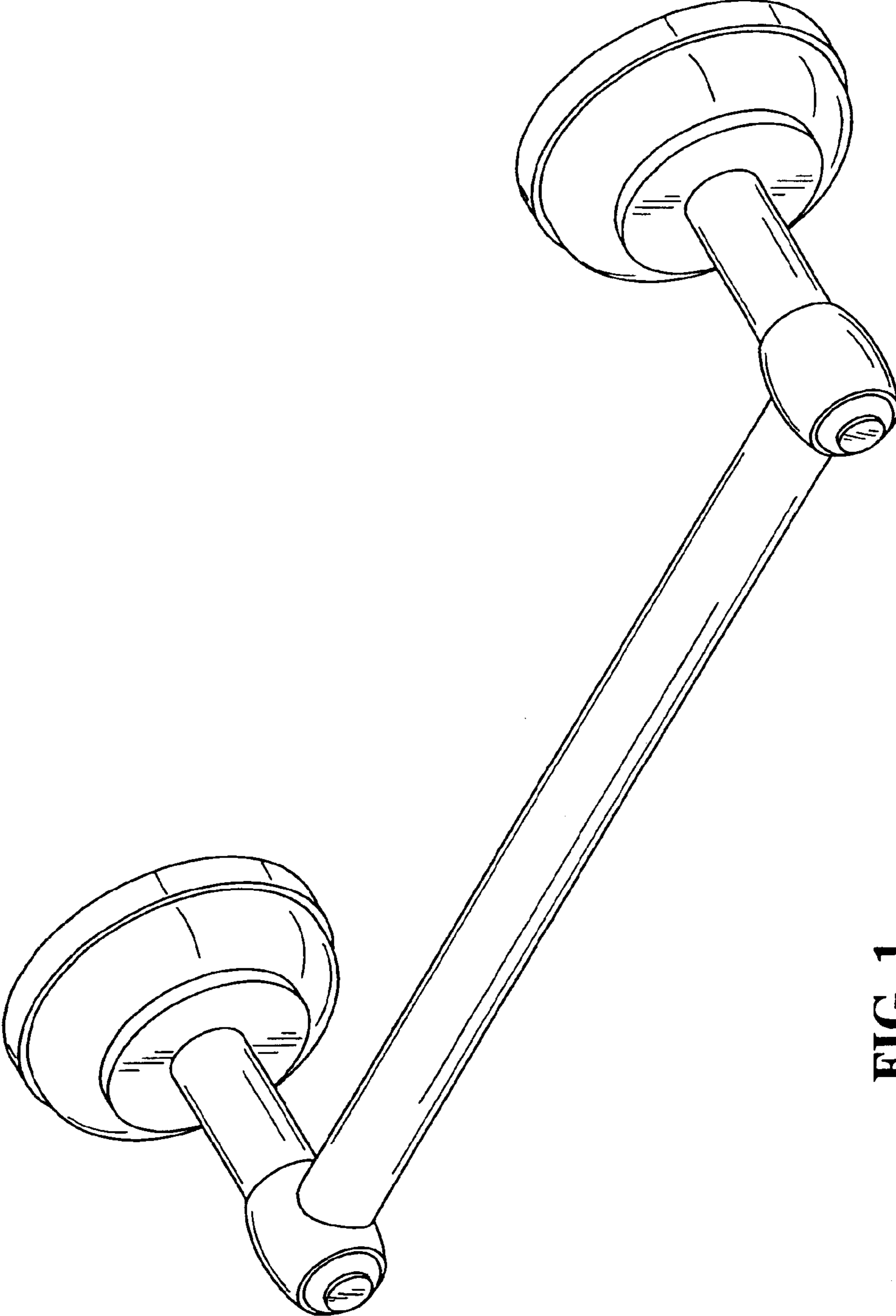


FIG. 1

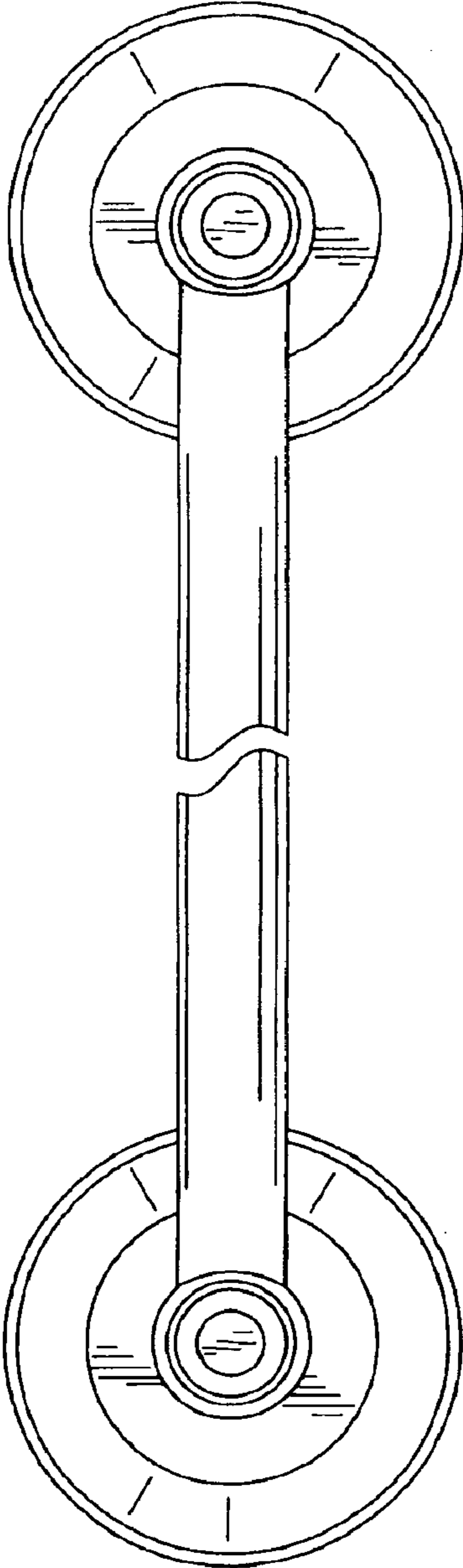


FIG. 2

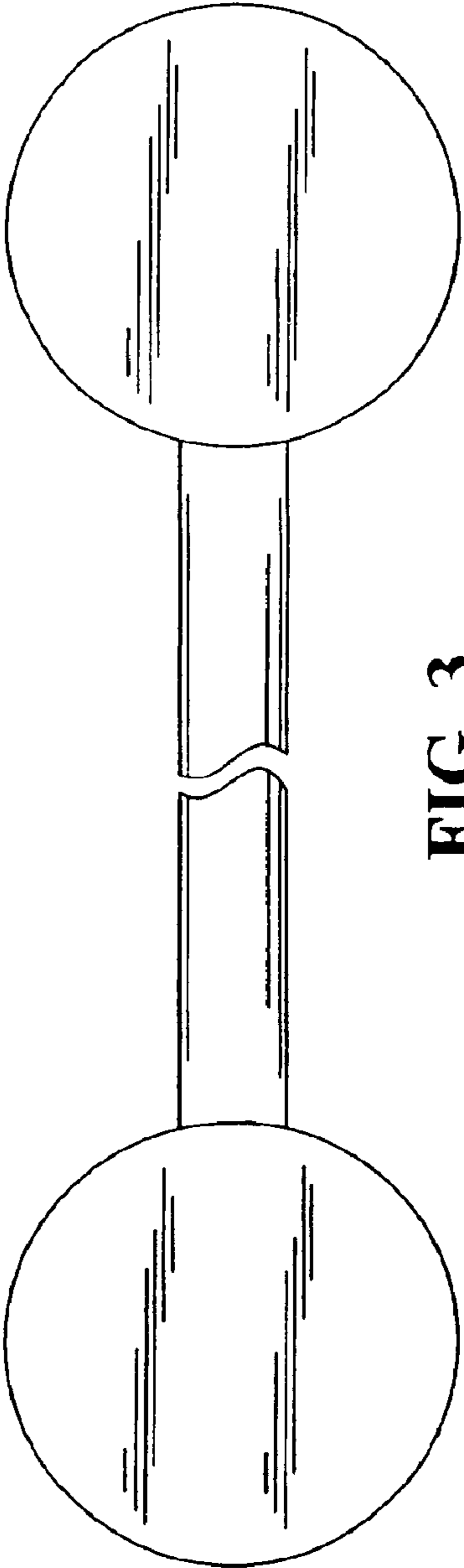


FIG. 3

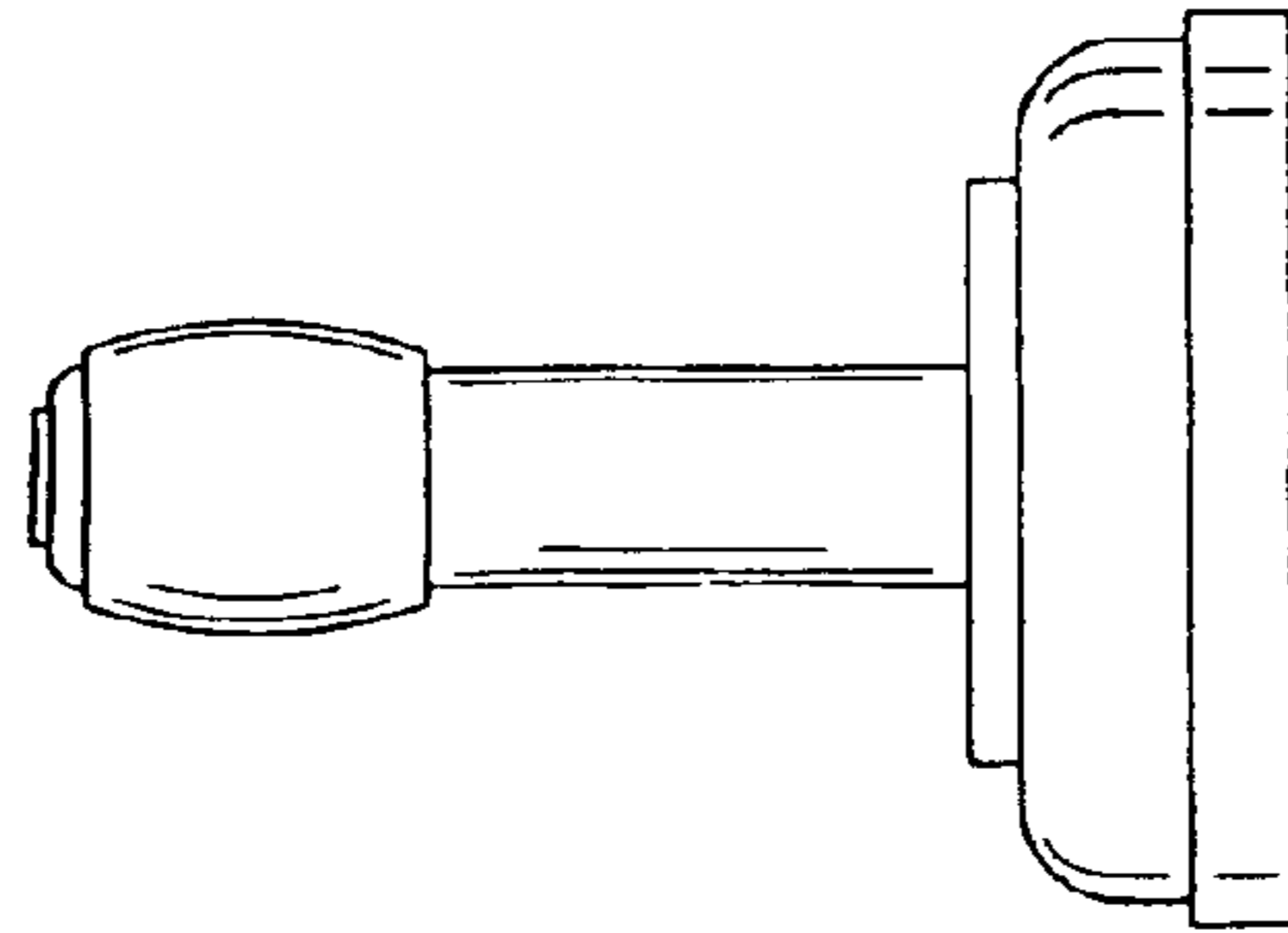


FIG. 4

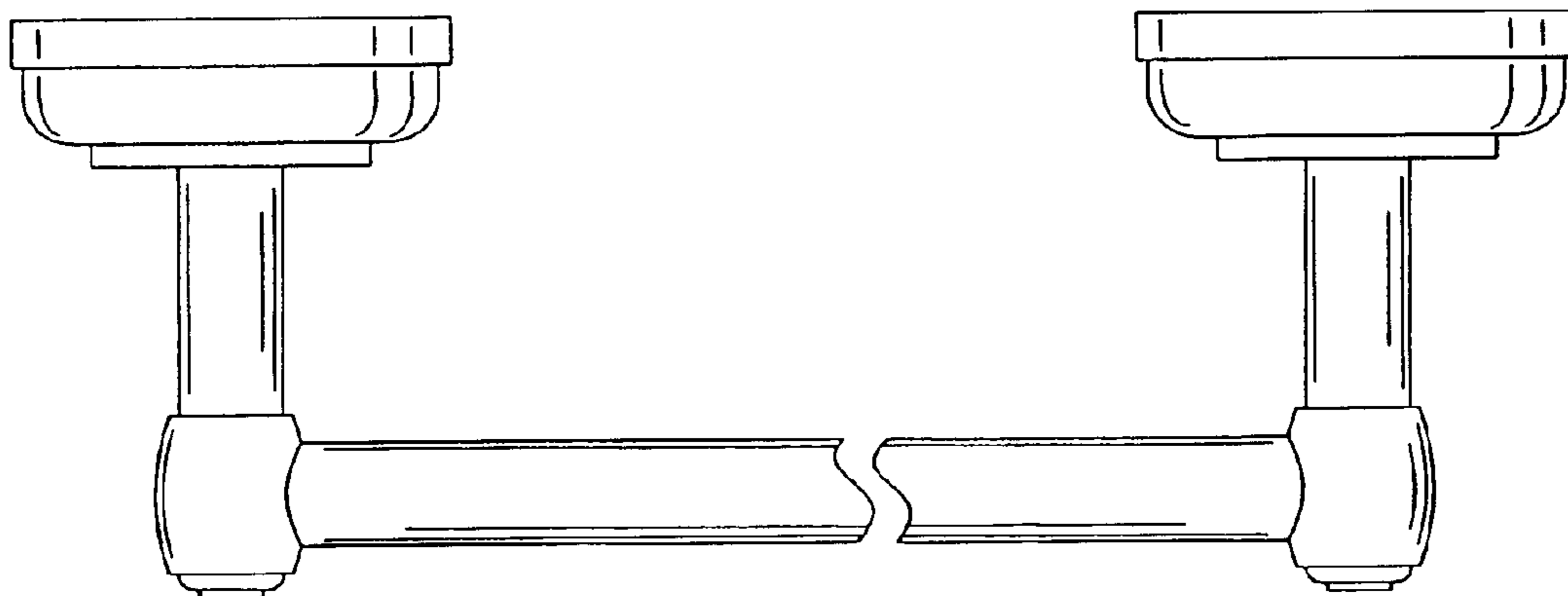


FIG. 5