



US00D516847S

(12) **United States Design Patent**
Stenhouse et al.

(10) **Patent No.: US D516,847 S**
(45) **Date of Patent: ** Mar. 14, 2006**

(54) **MULTI-LEVEL TABLE FRAME FOR MEDIA COMPONENTS**

(75) Inventors: **Brett Stenhouse**, Phoenix, AZ (US);
Zachary Eyman, Phoenix, AZ (US);
Korry Hoglan, Phoenix, AZ (US)

(73) Assignee: **OmniMount Systems, Inc.**, Phoenix, AZ (US)

(**) Term: **14 Years**

(21) Appl. No.: **29/222,580**

(22) Filed: **Jan. 31, 2005**

(51) **LOC (8) Cl.** **06-06**

(52) **U.S. Cl.** **D6/509**

(58) **Field of Classification Search** D6/460,
D6/461, 468, 474, 477-479, 509; 312/7.2,
312/9.1; 108/59, 91, 92, 96; 211/40, 41.12,
211/42, 49.1, 50, 85.2, 90.04, 187, 190, 119.003,
211/134.153, 87.01, 71.01

See application file for complete search history.

(56) **References Cited**

U.S. PATENT DOCUMENTS

D427,459 S * 7/2000 Druebbisch D6/479
D472,074 S * 3/2003 de Carolis D6/479
D483,581 S * 12/2003 Chang D6/479
D491,386 S * 6/2004 Sexton D6/479

D491,753 S * 6/2004 deCarolis D6/479
D495,164 S * 8/2004 Chang D6/479
D496,806 S * 10/2004 Chang D6/477
D496,807 S * 10/2004 deCarolis D6/477
D497,060 S * 10/2004 Chang D6/477
D497,061 S * 10/2004 Decarolis D6/479
D505,573 S * 5/2005 Malizia D6/474

* cited by examiner

Primary Examiner—Cathron C. Brooks

(74) *Attorney, Agent, or Firm*—Perkins Coie LLP

(57) **CLAIM**

The ornamental design for a multi-level table frame for media components, as shown and described.

DESCRIPTION

FIG. 1 is a top, left isometric view of an embodiment of a multi-level table frame for media components showing our design.

FIG. 2 is a left-side elevational view thereof; the right side elevational view is a mirror image of FIG. 2.

FIG. 3 is a top plan view thereof.

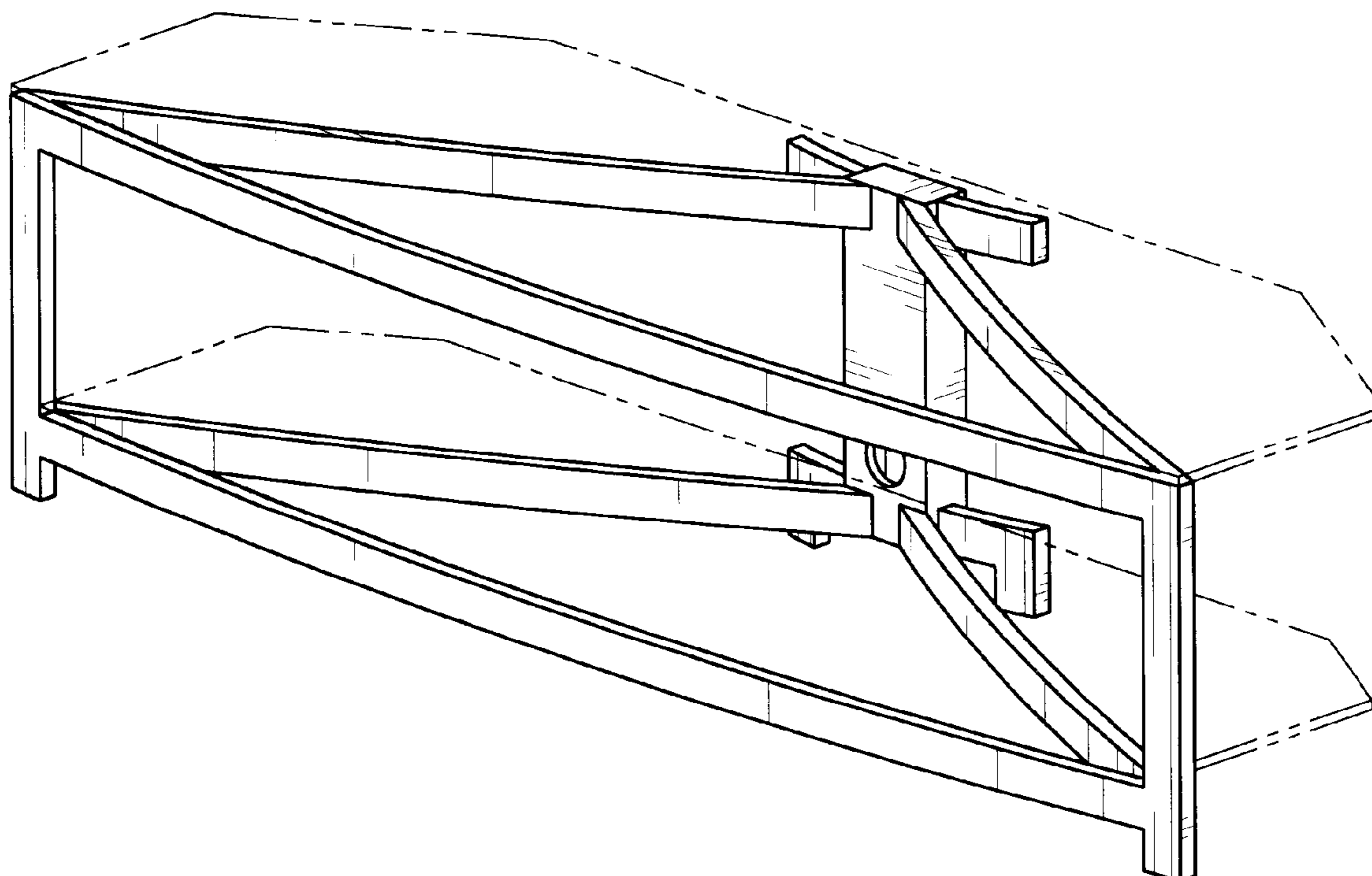
FIG. 4 is a bottom plan view thereof.

FIG. 5 is a front elevational view thereof; and,

FIG. 6 is a rear elevational view thereof.

The broken lines shown are for illustrative purposes only and form no part of the claimed design.

1 Claim, 3 Drawing Sheets



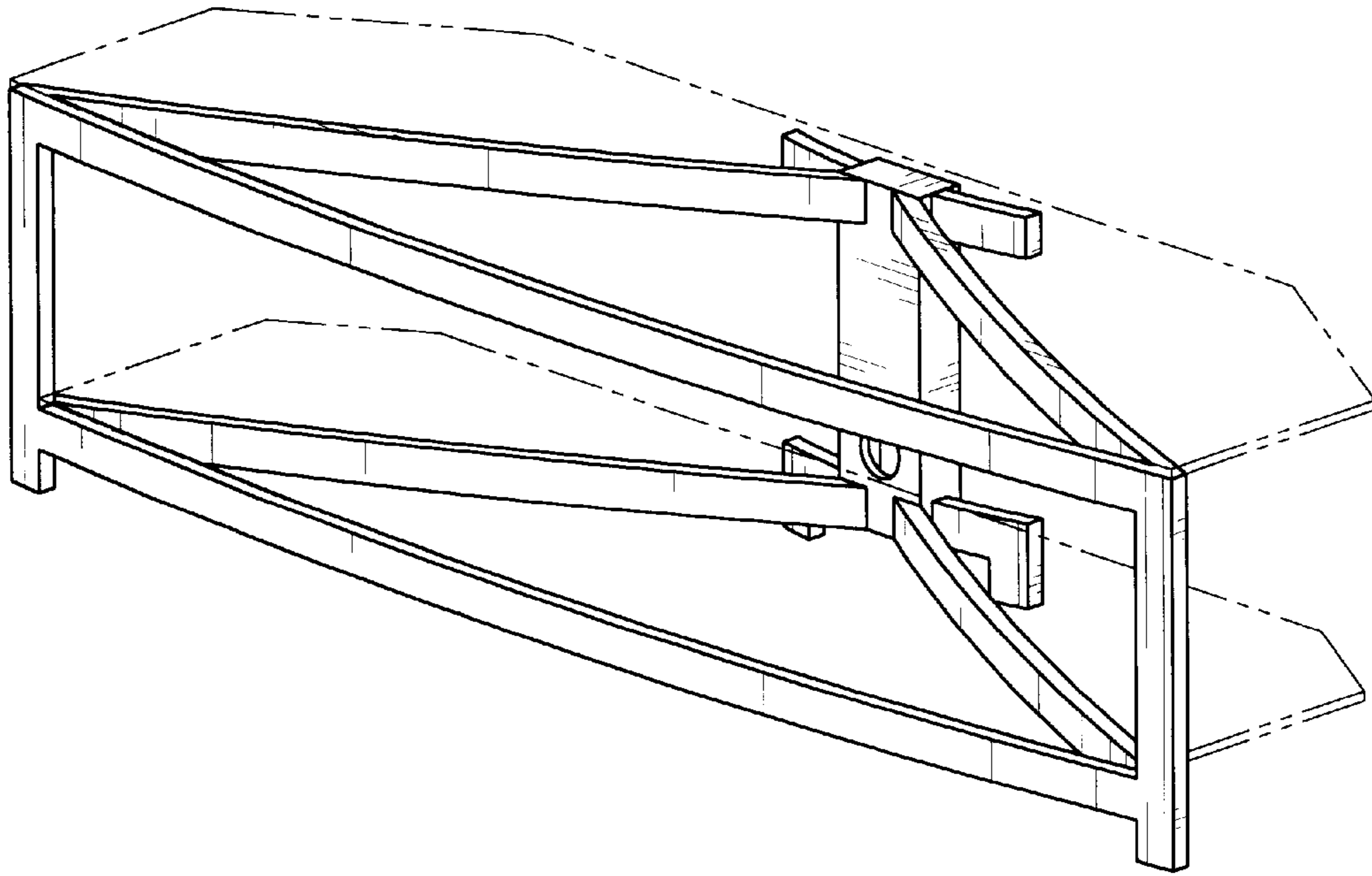


Fig. 1

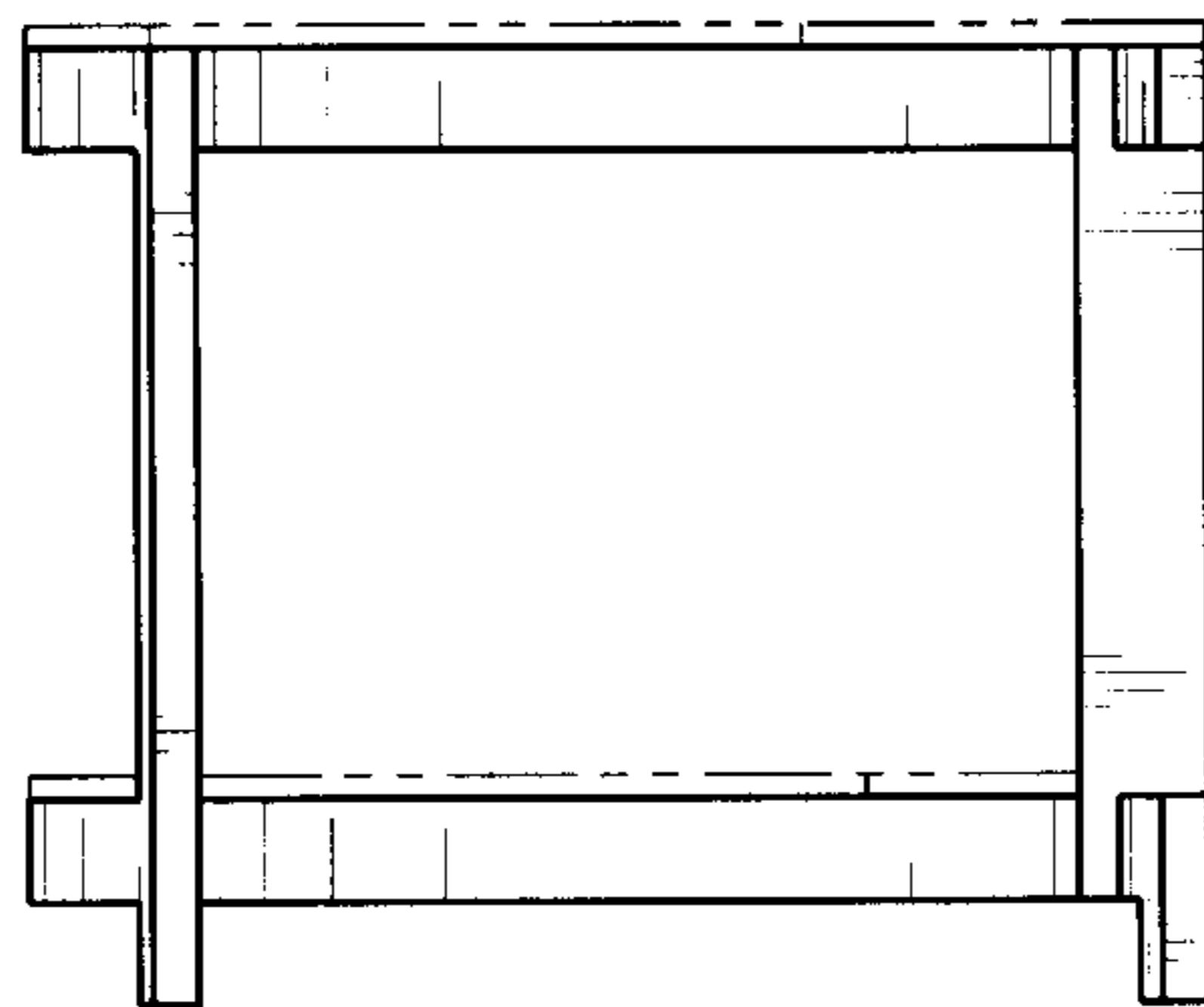


Fig. 2

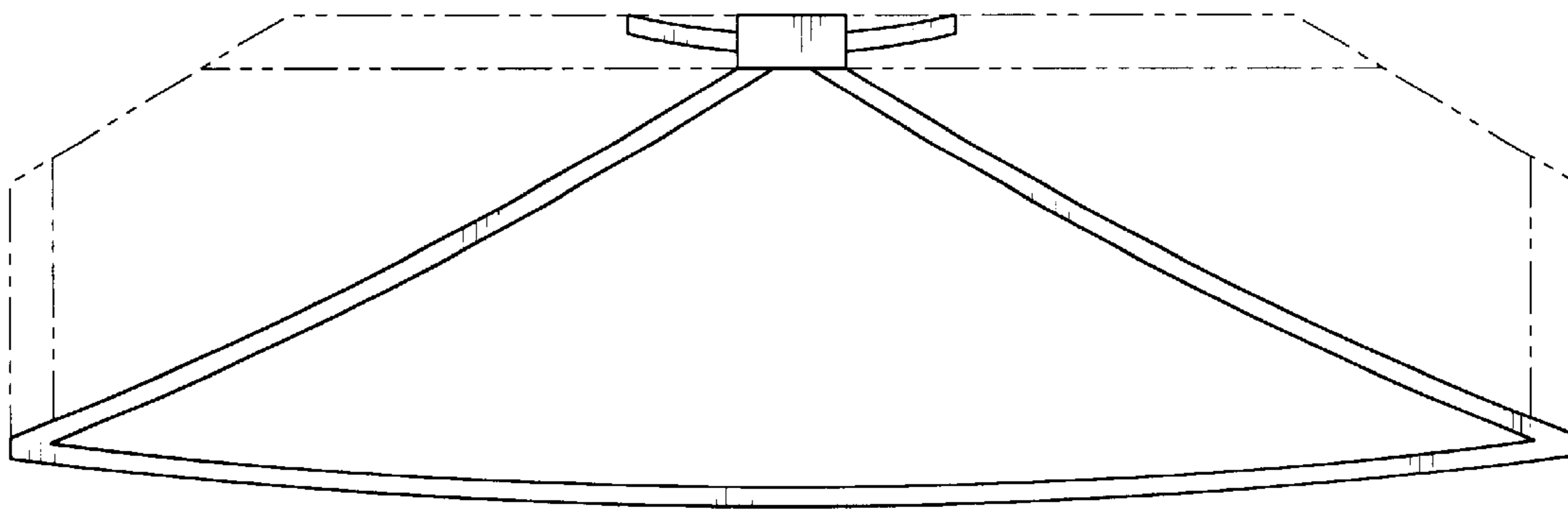


Fig. 3

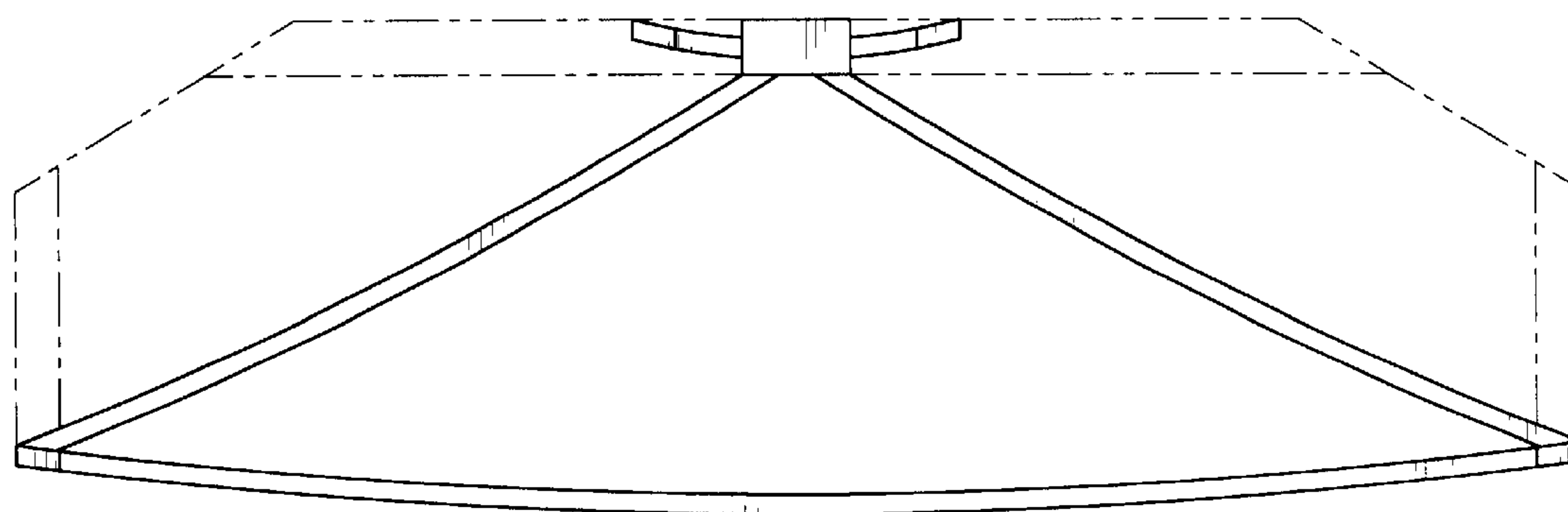


Fig. 4

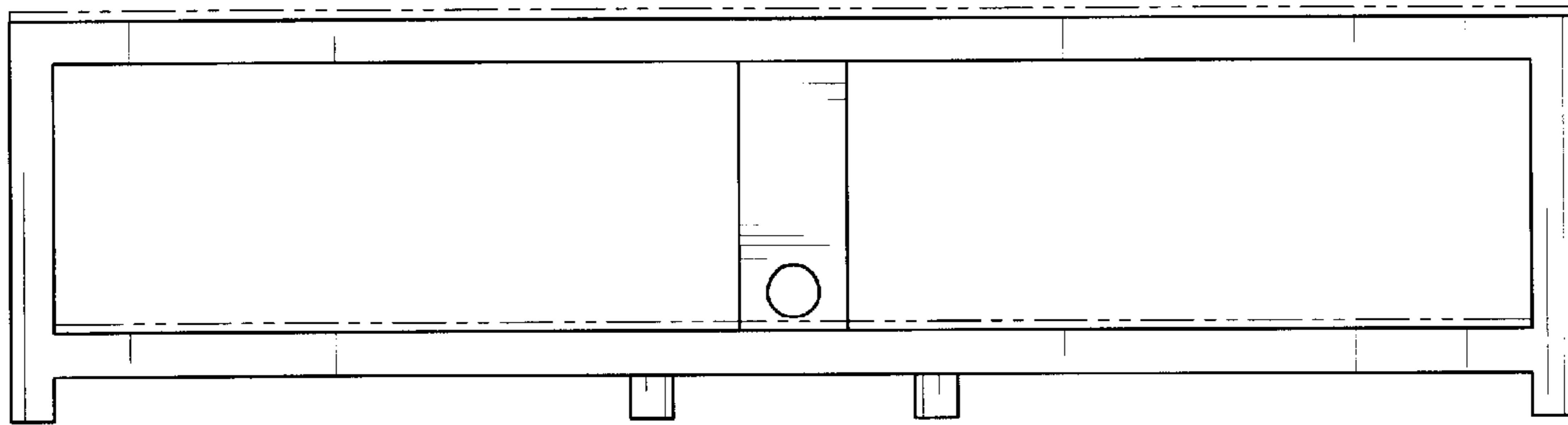


Fig. 5

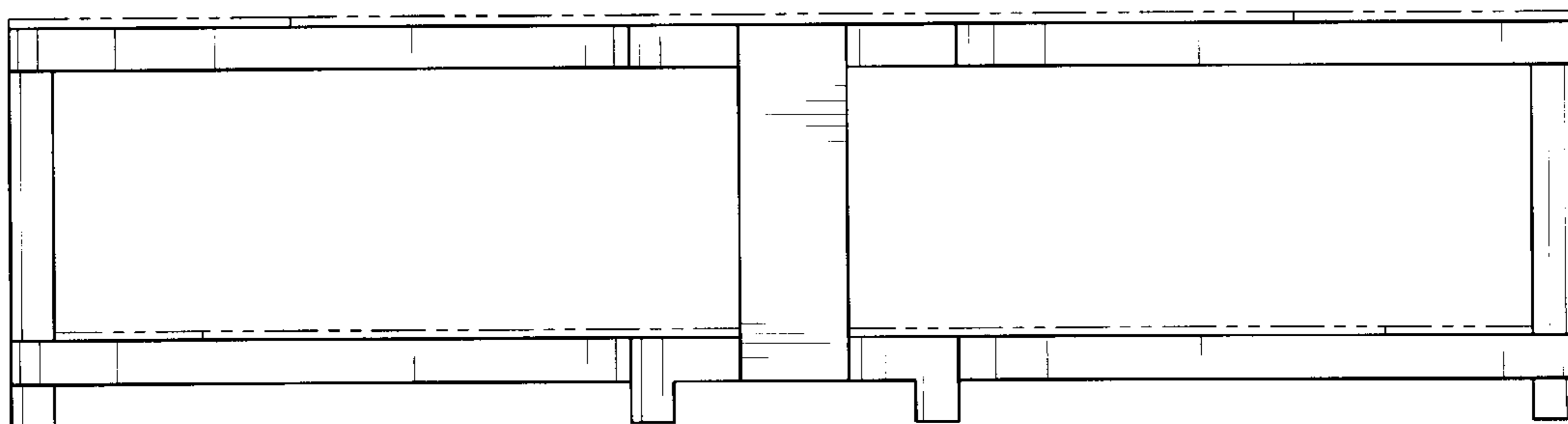


Fig. 6