



US00D516845S

(12) **United States Design Patent** (10) **Patent No.:** **US D516,845 S**
Lenger (45) **Date of Patent:** **** Mar. 14, 2006**

(54) **FURNITURE COMPONENT**

(75) Inventor: **Sidney A. Lenger**, Kernersville, NC (US)

(73) Assignee: **American Signature, Inc.**, Columbus, OH (US)

(**) Term: **14 Years**

(21) Appl. No.: **29/214,479**

(22) Filed: **Oct. 4, 2004**

Related U.S. Application Data

(62) Division of application No. 29/196,268, filed on Dec. 22, 2003, now Pat. No. Des. 503,569, which is a division of application No. 29/190,664, filed on Sep. 24, 2003, now Pat. No. Des. 492,861, which is a division of application No. 29/186,183, filed on Jul. 11, 2003, now Pat. No. Des. 491,384.

(51) **LOC (8) Cl.** **06-06**

(52) **U.S. Cl.** **D6/509**

(58) **Field of Classification Search** D6/405, D6/474, 477-479, 495, 509; 108/59, 60, 108/91, 92, 147.11, 149; 211/42, 149, 153, 211/195, 186, 188, 194, 90.04; 312/9.1, 7.2, 312/223.1; D25/64, 68; D34/30

See application file for complete search history.

(56) **References Cited**

U.S. PATENT DOCUMENTS

D109,291 S 4/1938 Beyrle D6/473
D212,471 S * 10/1968 Wood D25/64

(Continued)

OTHER PUBLICATIONS

Vitrashop Catalog, Leaning Shelves, Innovations '87 Box, Dec. 1987.

Crate and Barrel Catalog, Leaning Bookcase, p. 36, Fall 2002.

Spiegel Catalog, Picket Fence Shelf, p. 390, Spr. Sum. 2000.

Primary Examiner—Cathron C. Brooks

(74) *Attorney, Agent, or Firm*—Wood, Herron & Evans, L.L.P.

(57) **CLAIM**

The ornamental design for the furniture component, as shown and described.

DESCRIPTION

FIG. 1 is a perspective view of a first embodiment of a furniture component incorporating my new design; FIG. 2 is a front elevational view thereof; FIG. 3 is a right-side elevational view thereof; FIG. 4 is a rear elevational view thereof; FIG. 5 is a left-side elevational view thereof; FIG. 6 is a top plan view thereof; and FIG. 7 is a bottom plan view thereof.

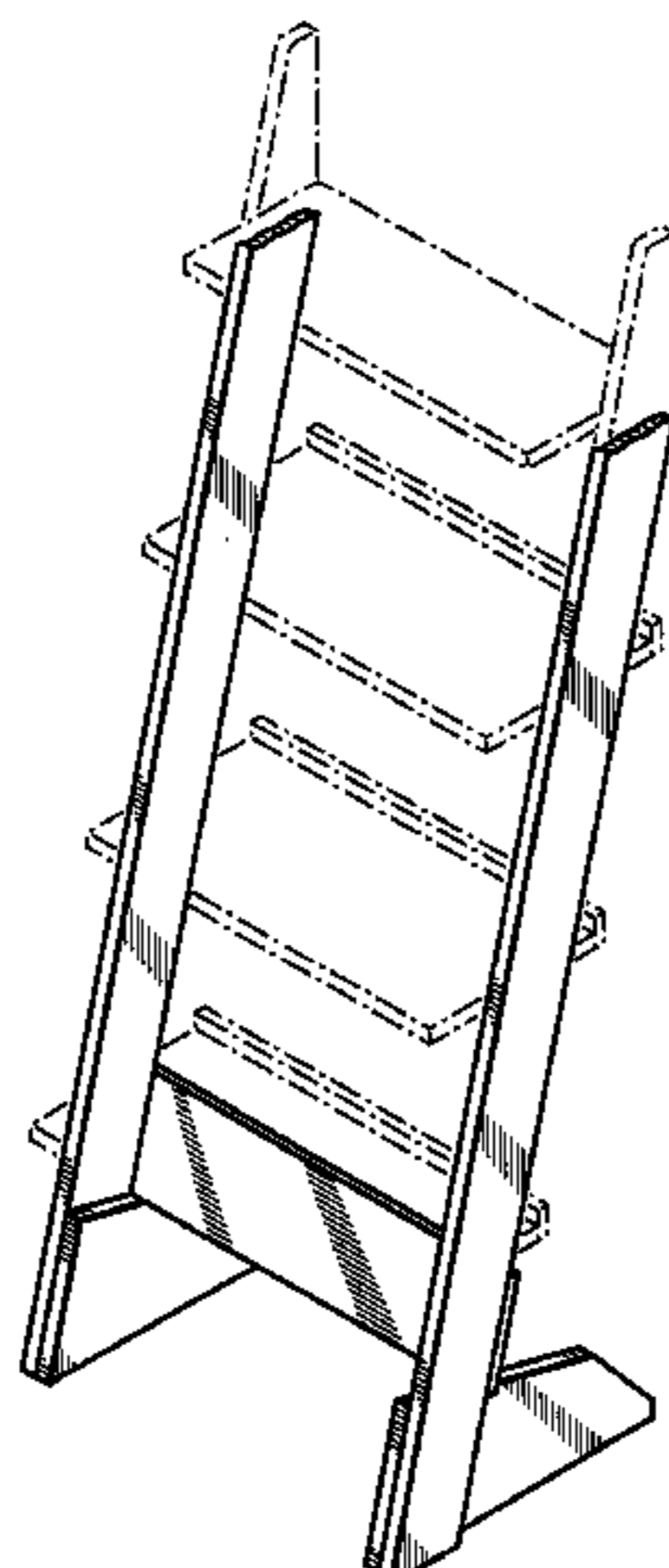
FIG. 8 is a perspective view of a second embodiment of a furniture component incorporating my new design; FIG. 9 is a front elevational view thereof; FIG. 10 is a right-side elevational view thereof; FIG. 11 is a rear elevational view thereof; FIG. 12 is a left-side elevational view thereof; FIG. 13 is a top plan view thereof; and FIG. 14 is a bottom plan view thereof.

FIG. 15 is a perspective view of a third embodiment of a furniture component incorporating my new design. FIG. 16 is a front elevational view thereof; FIG. 17 is a right-side elevational view thereof; FIG. 18 is a rear elevational view thereof; FIG. 19 is a left-side elevational view thereof; FIG. 20 is a top plan view thereof; and FIG. 21 is a bottom plan view thereof.

FIG. 22 is a perspective view of a fourth embodiment of a furniture component incorporating my new design. FIG. 23 is a front elevational view thereof; FIG. 24 is a right-side elevational view thereof; FIG. 25 is a rear elevational view thereof; FIG. 26 is a left-side elevational view thereof; FIG. 27 is a top plan view thereof; and, FIG. 28 is a bottom plan view thereof.

The dotted line structure is to depict environment, and forms no part of the claimed design.

1 Claim, 8 Drawing Sheets



US D516,845 S

Page 2

U.S. PATENT DOCUMENTS

D248,290 S	*	6/1978	Guerette	D34/30	D459,117 S		6/2002	Singh	D6/474
D262,076 S		12/1981	Pracon	D6/407	D489,548 S	*	5/2004	Malizia	D6/477
D302,083 S		7/1989	Walter	D6/413	D490,163 S	*	5/2004	Thurston	D25/64
4,917,250 A	*	4/1990	Barbieri et al.	211/149	D491,384 S	*	6/2004	Lenger	D6/474
D347,129 S	*	5/1994	Zinke et al.	D6/468	D491,749 S	*	6/2004	Malizia	D6/474
D364,763 S		12/1995	Sielaff	D6/479	D492,861 S	*	7/2004	Lenger	D6/474
D382,513 S	*	8/1997	Bozzone	D11/157	D503,569 S	*	4/2005	Lenger	D6/474
D401,084 S	*	11/1998	Martin	D6/474	2004/0118792 A1	*	6/2004	Herring	211/42
D433,846 S		11/2000	Chang	D6/474						

* cited by examiner

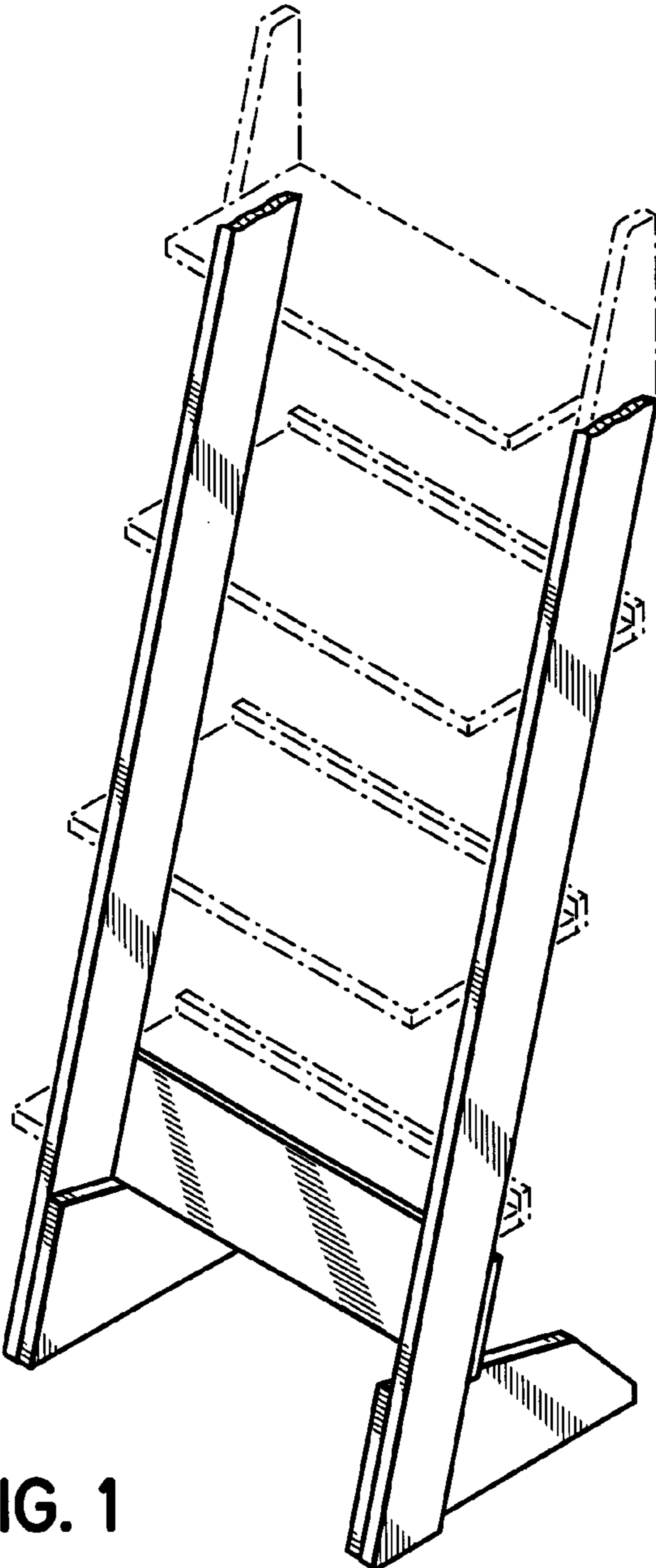


FIG. 1

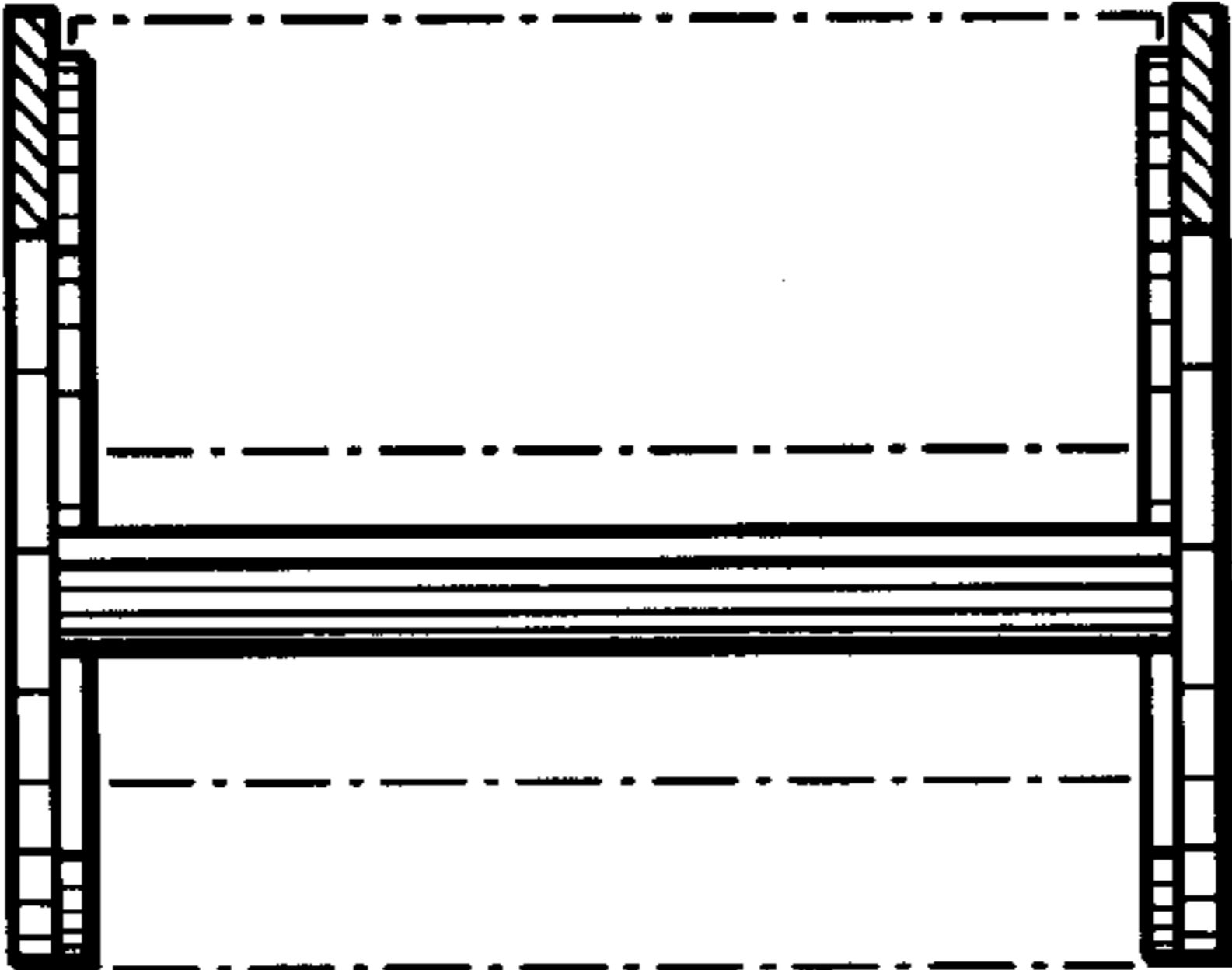


FIG. 6

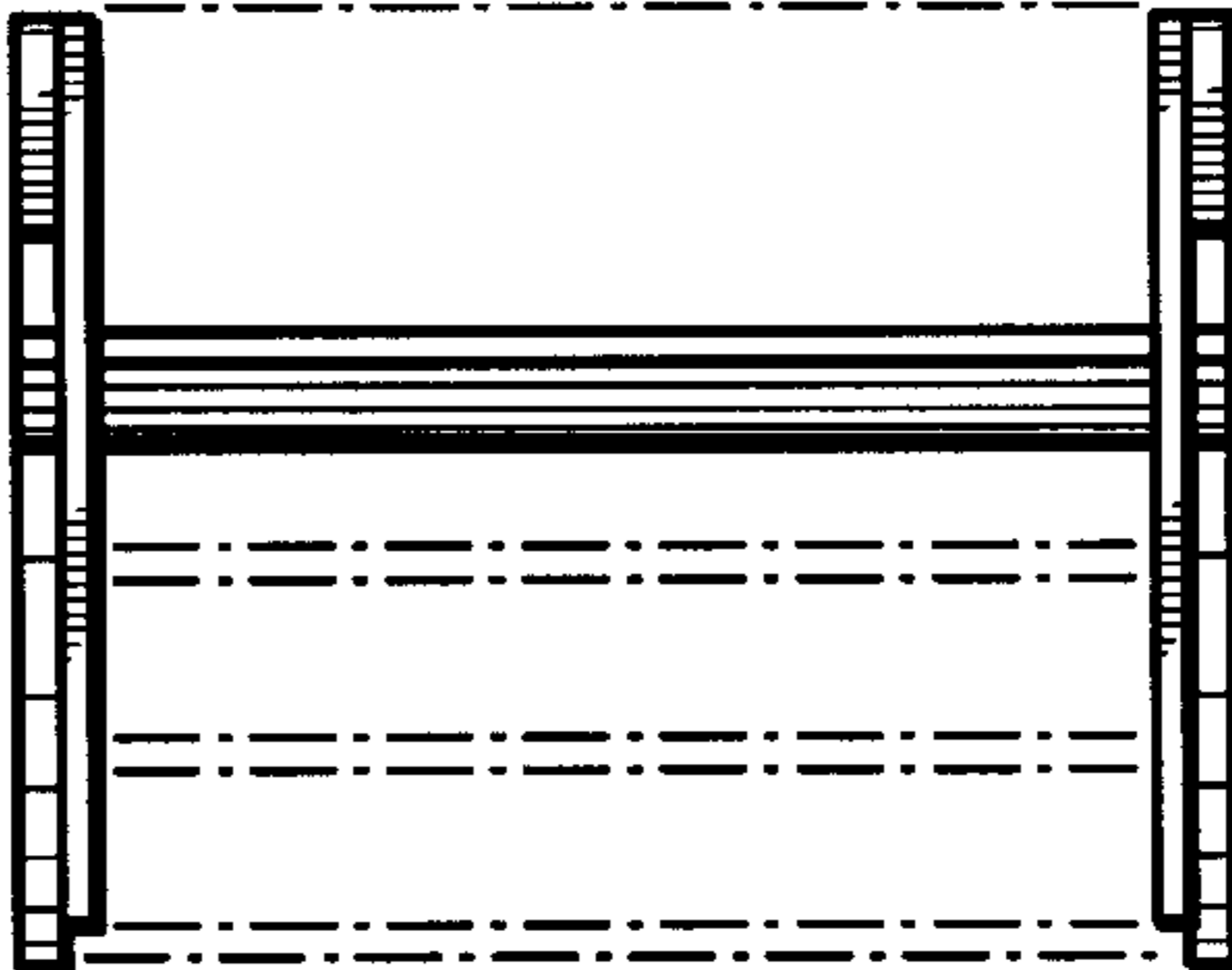


FIG. 7

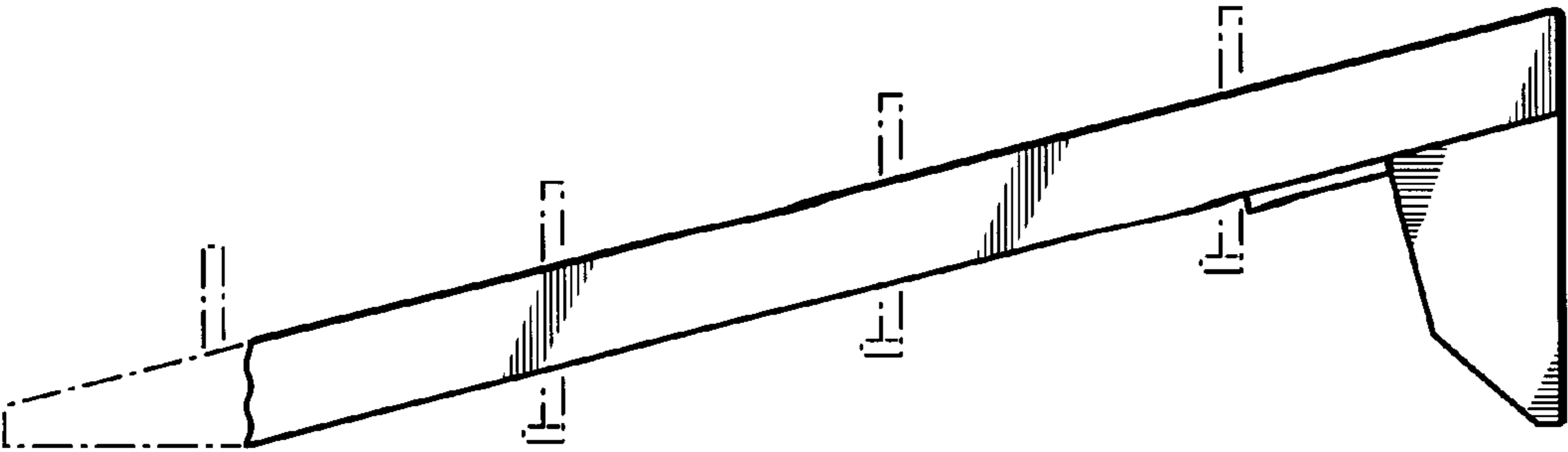


FIG. 5

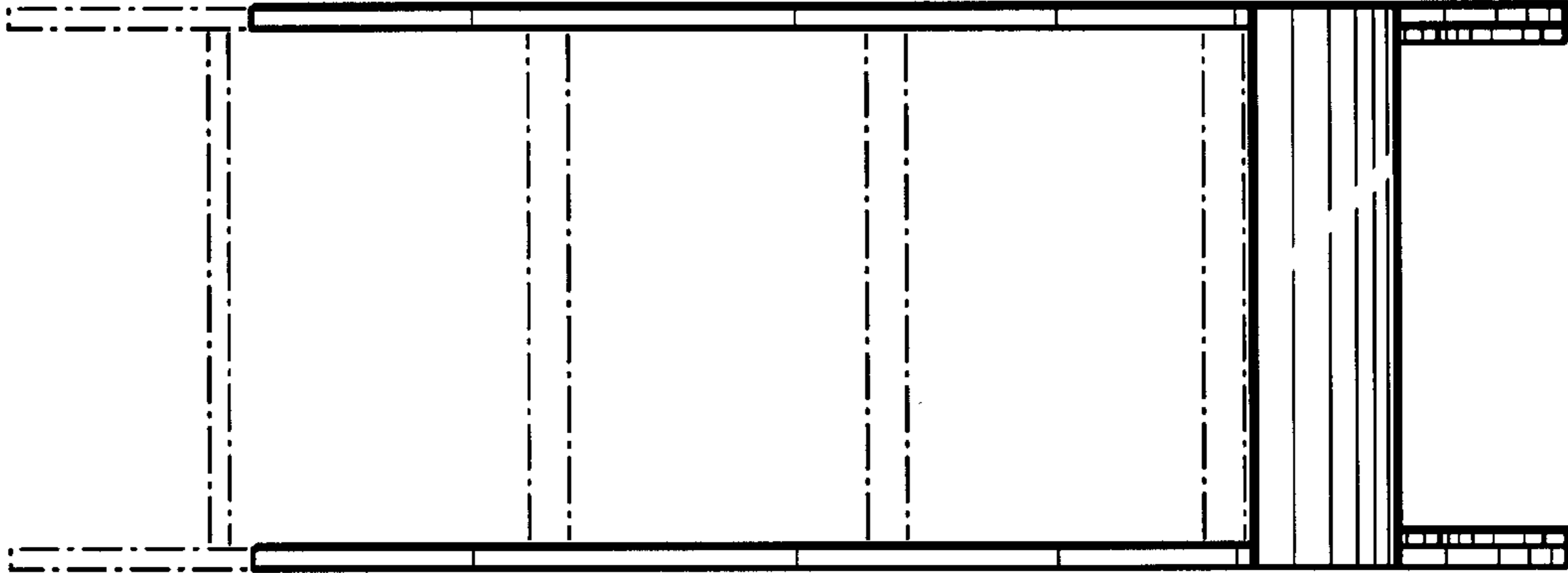


FIG. 4

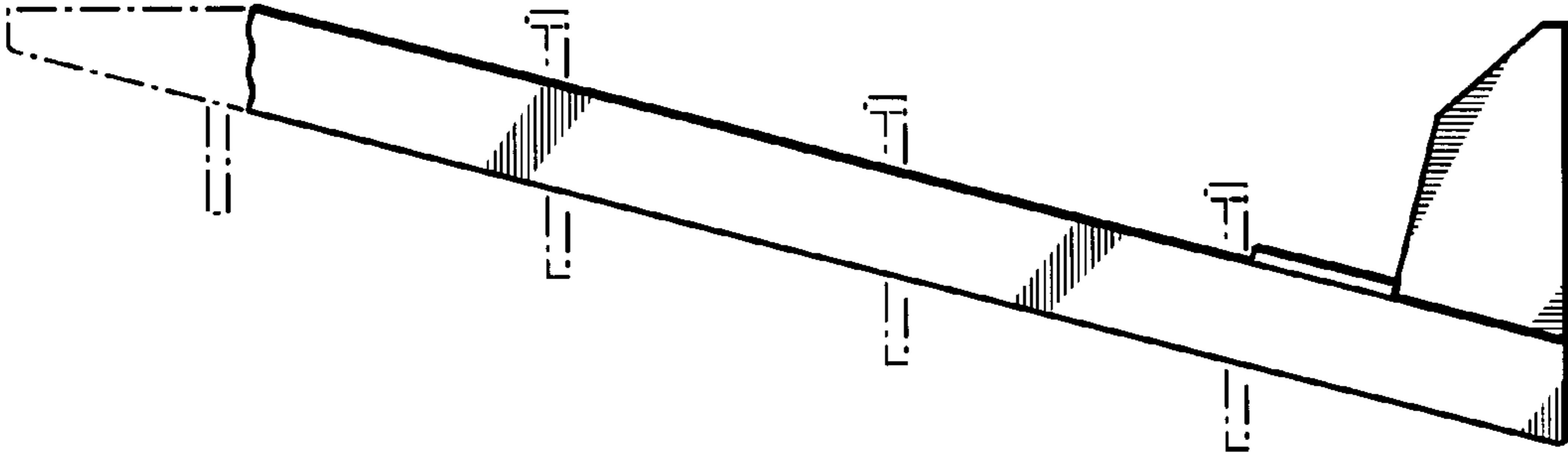


FIG. 3

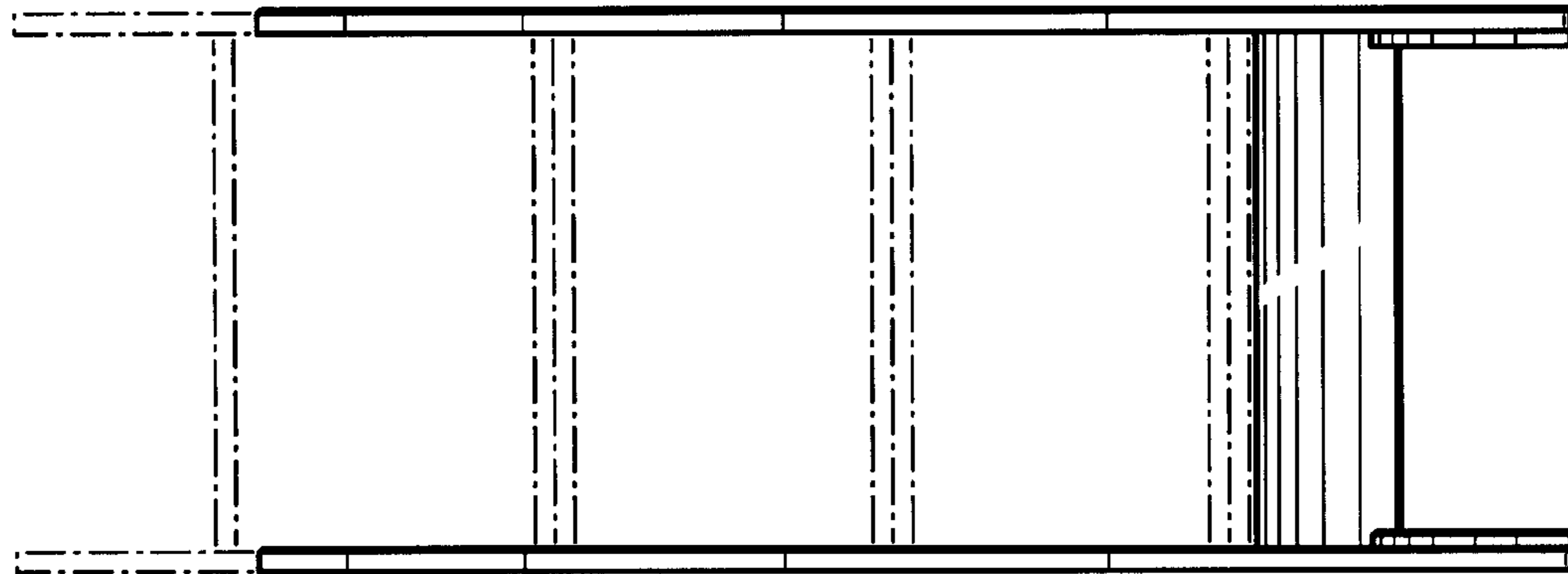


FIG. 2

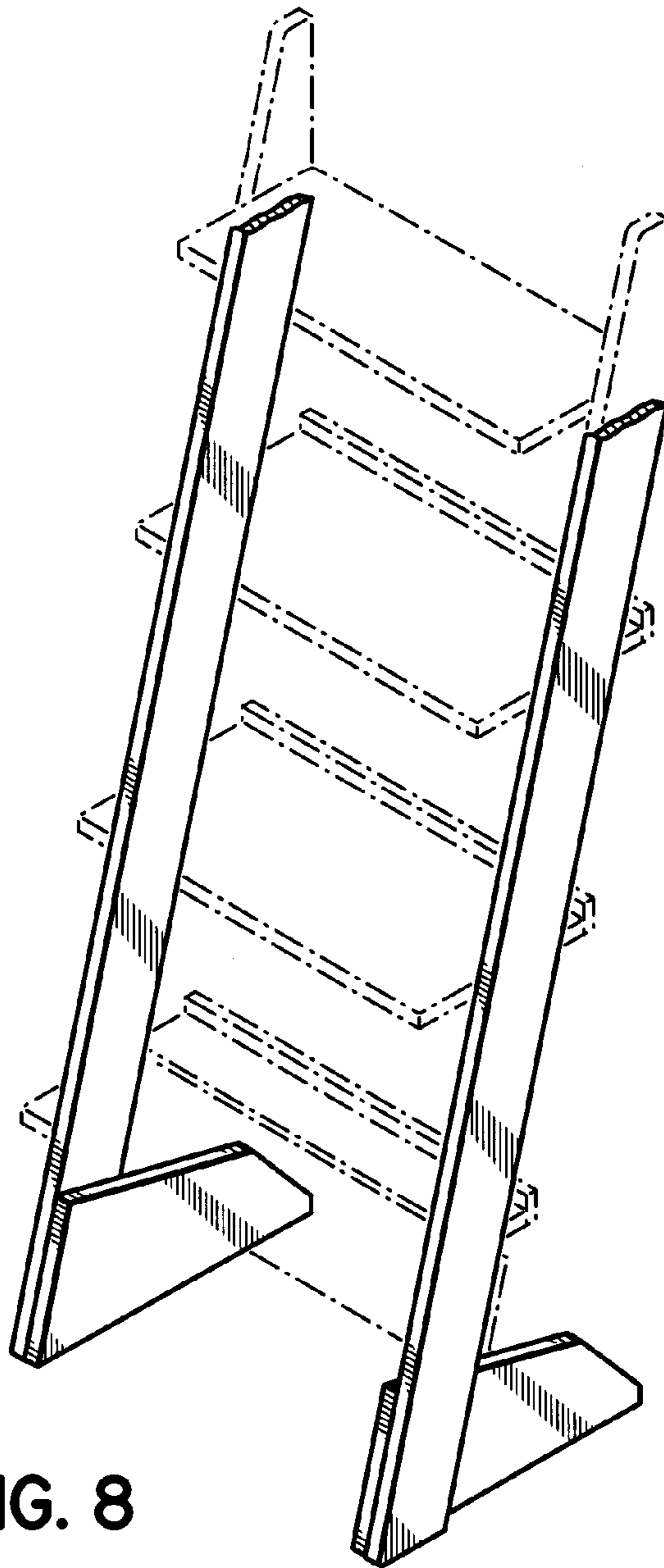


FIG. 8

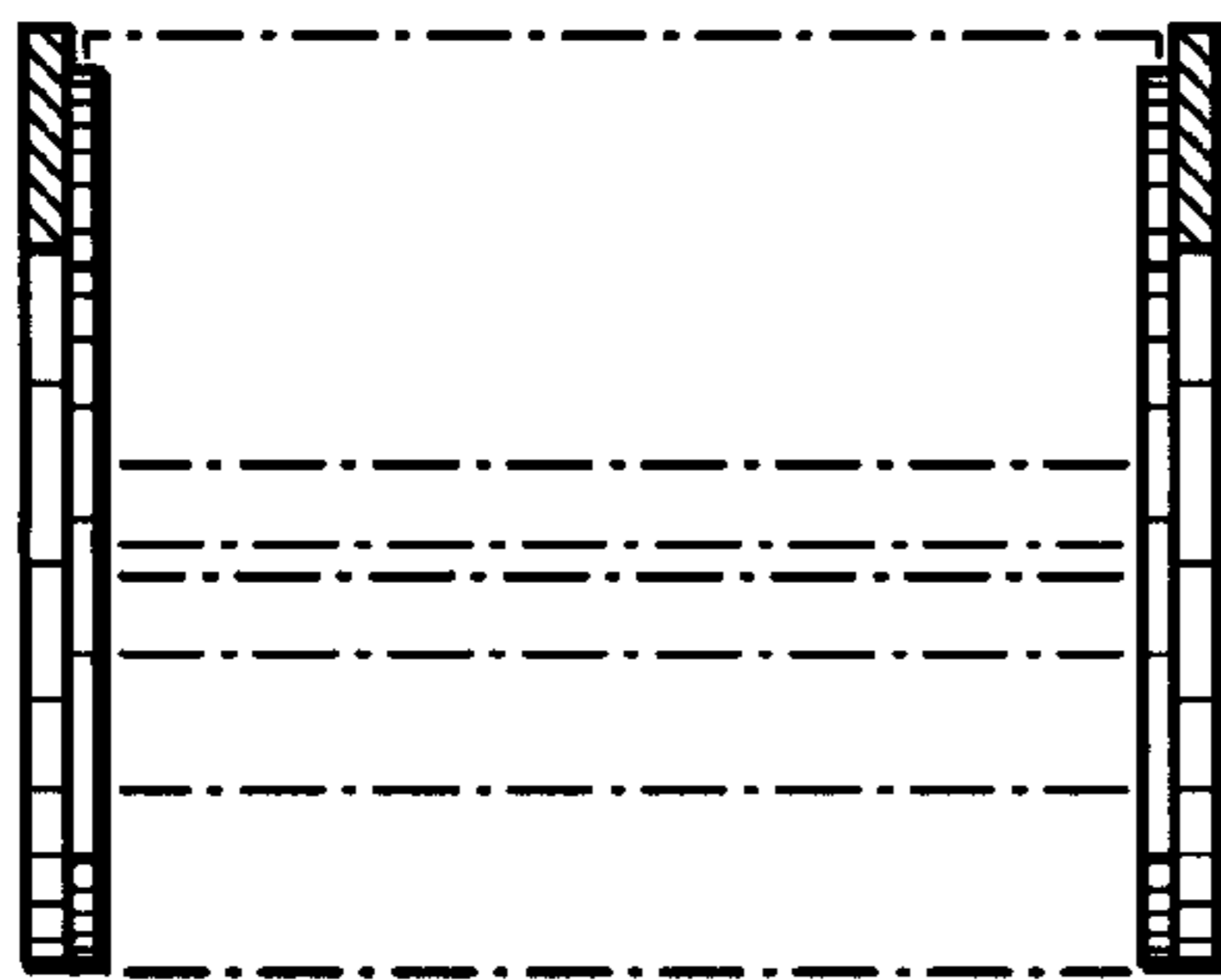


FIG. 13

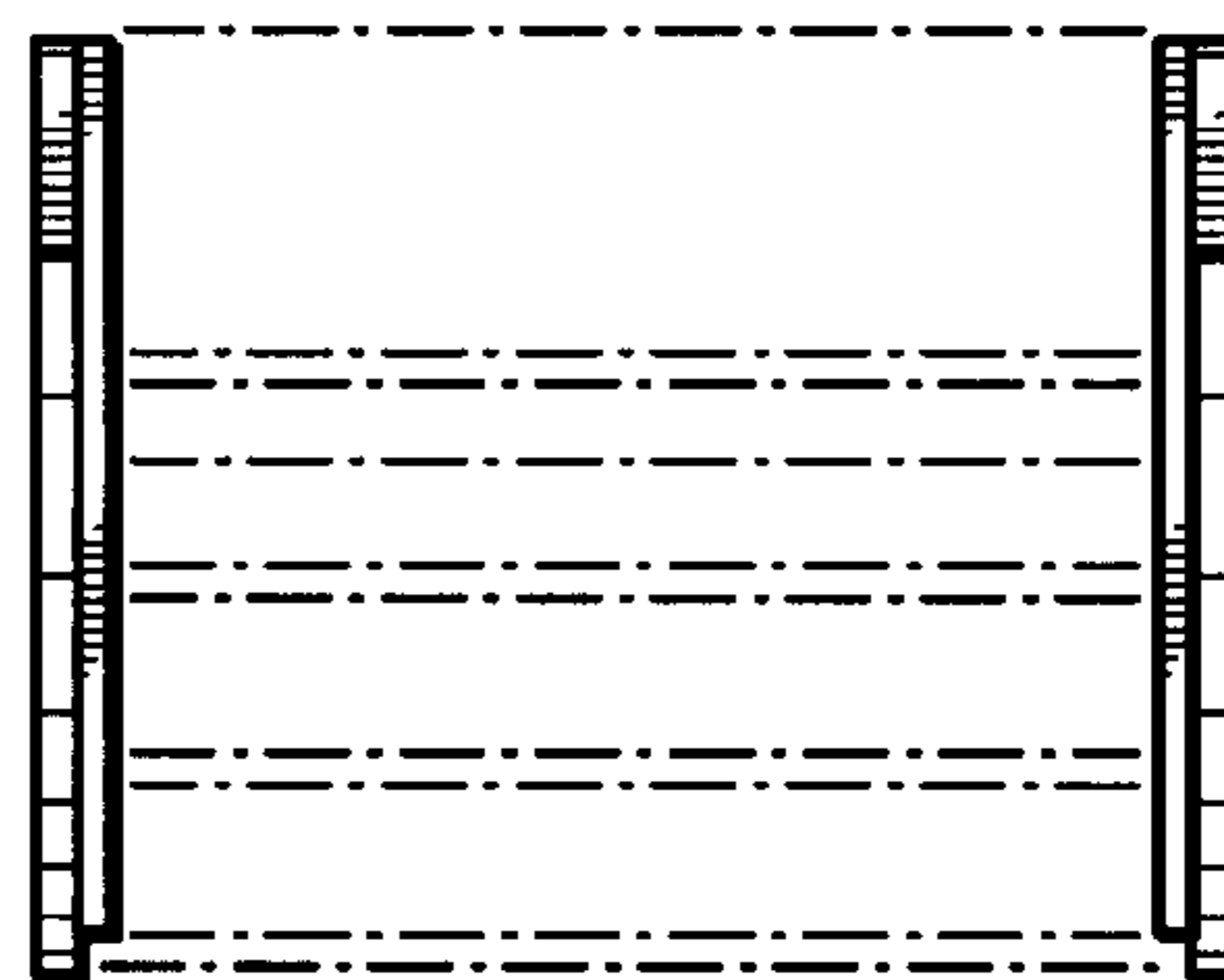


FIG. 14

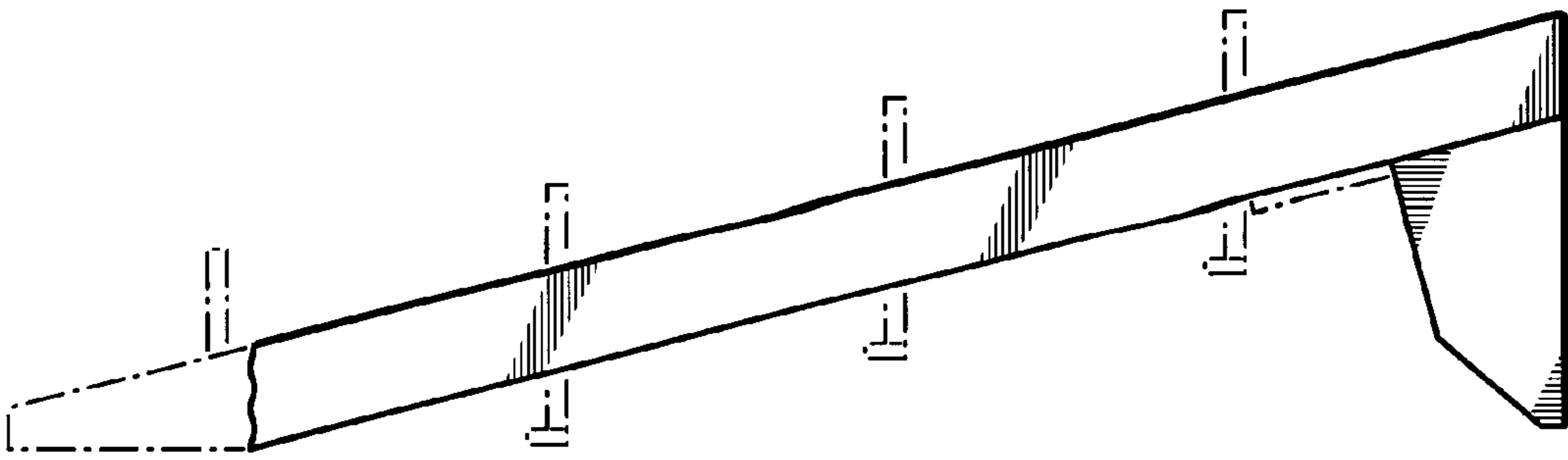


FIG. 12

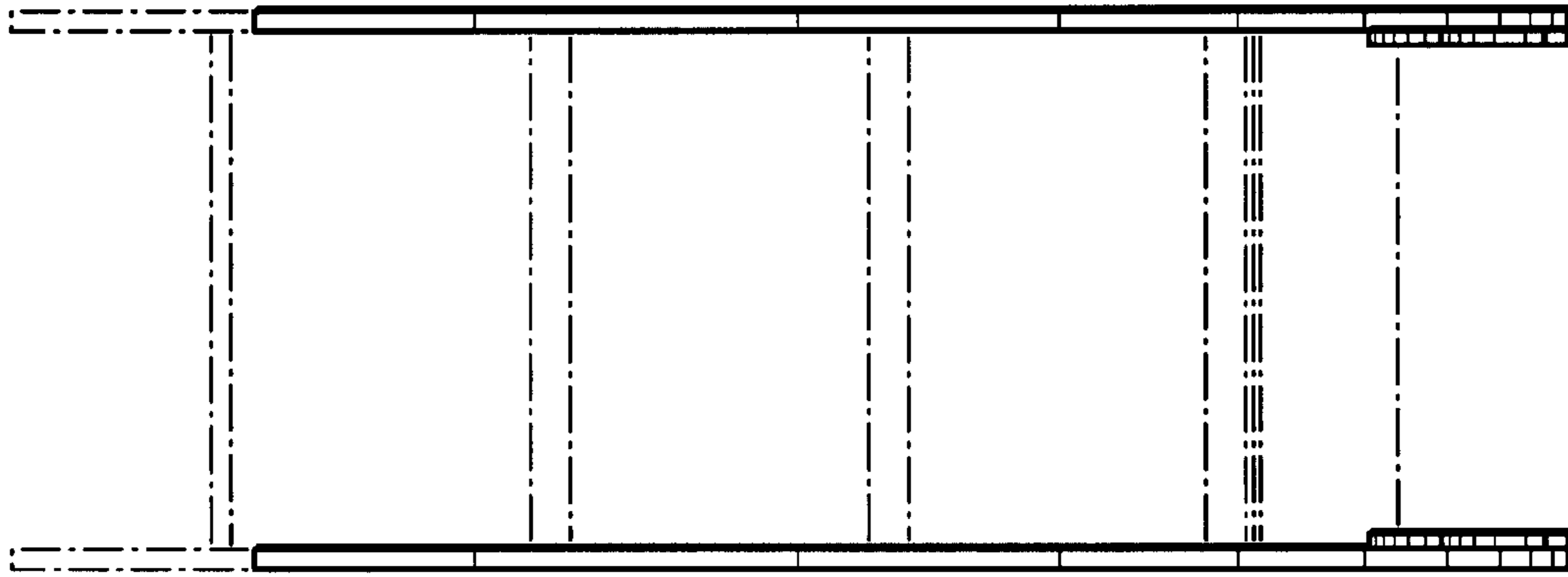


FIG. 11

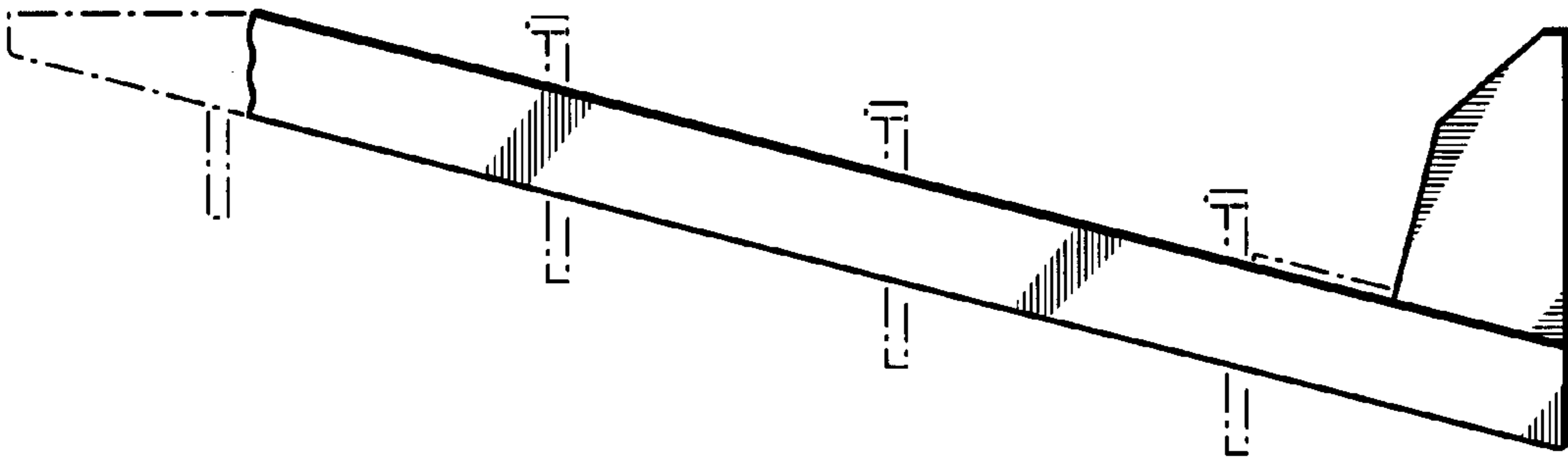


FIG. 10

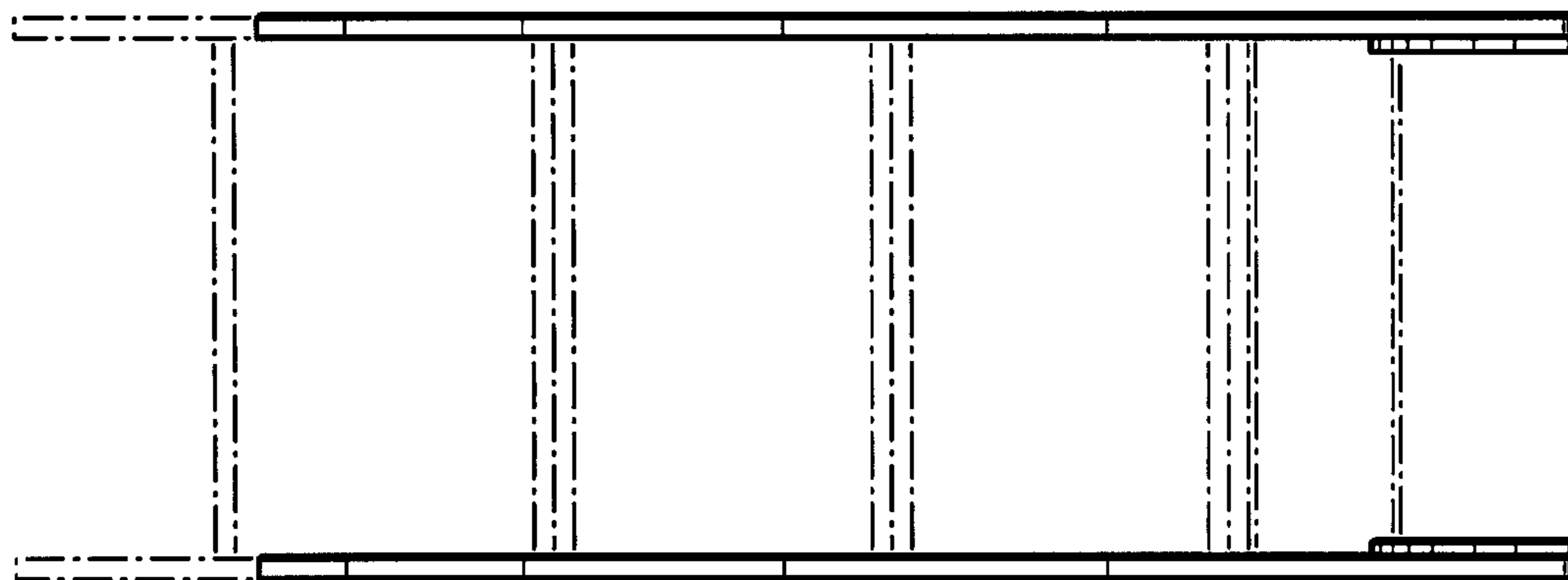


FIG. 9

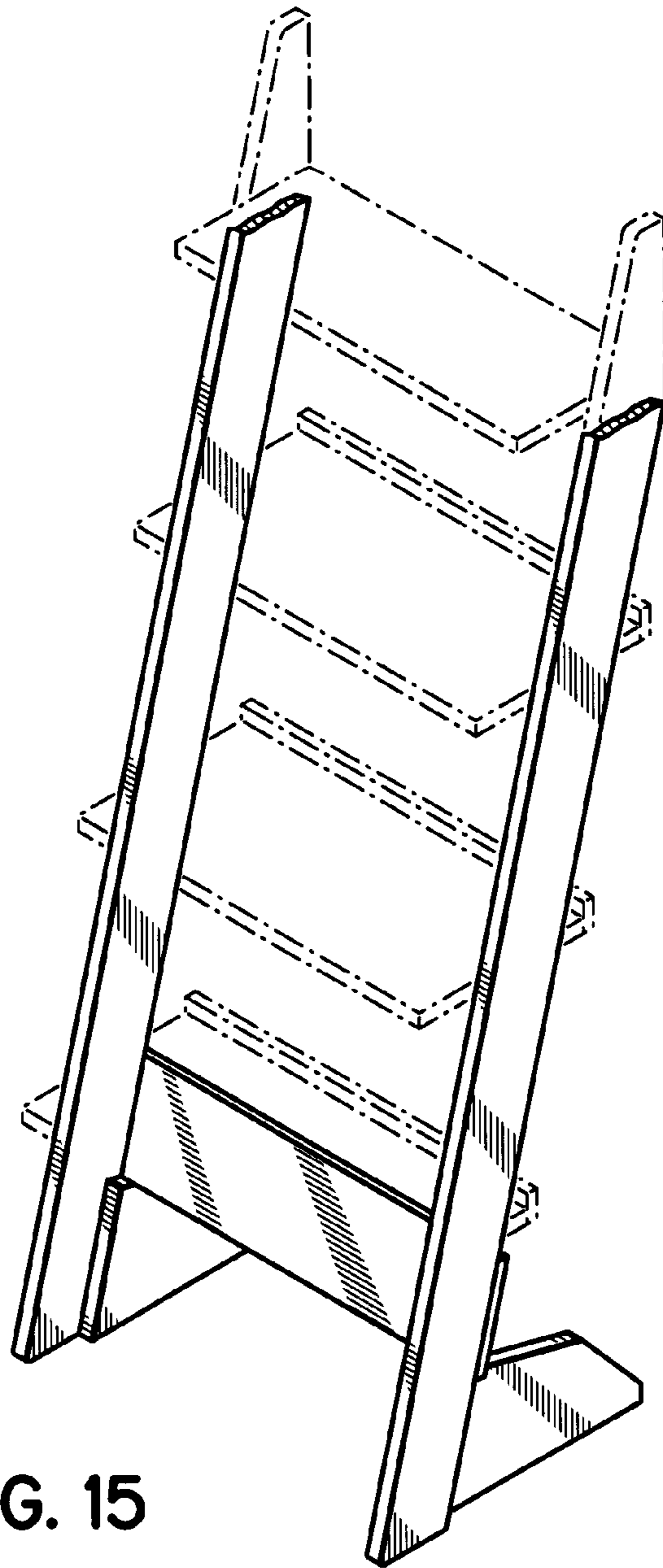


FIG. 15

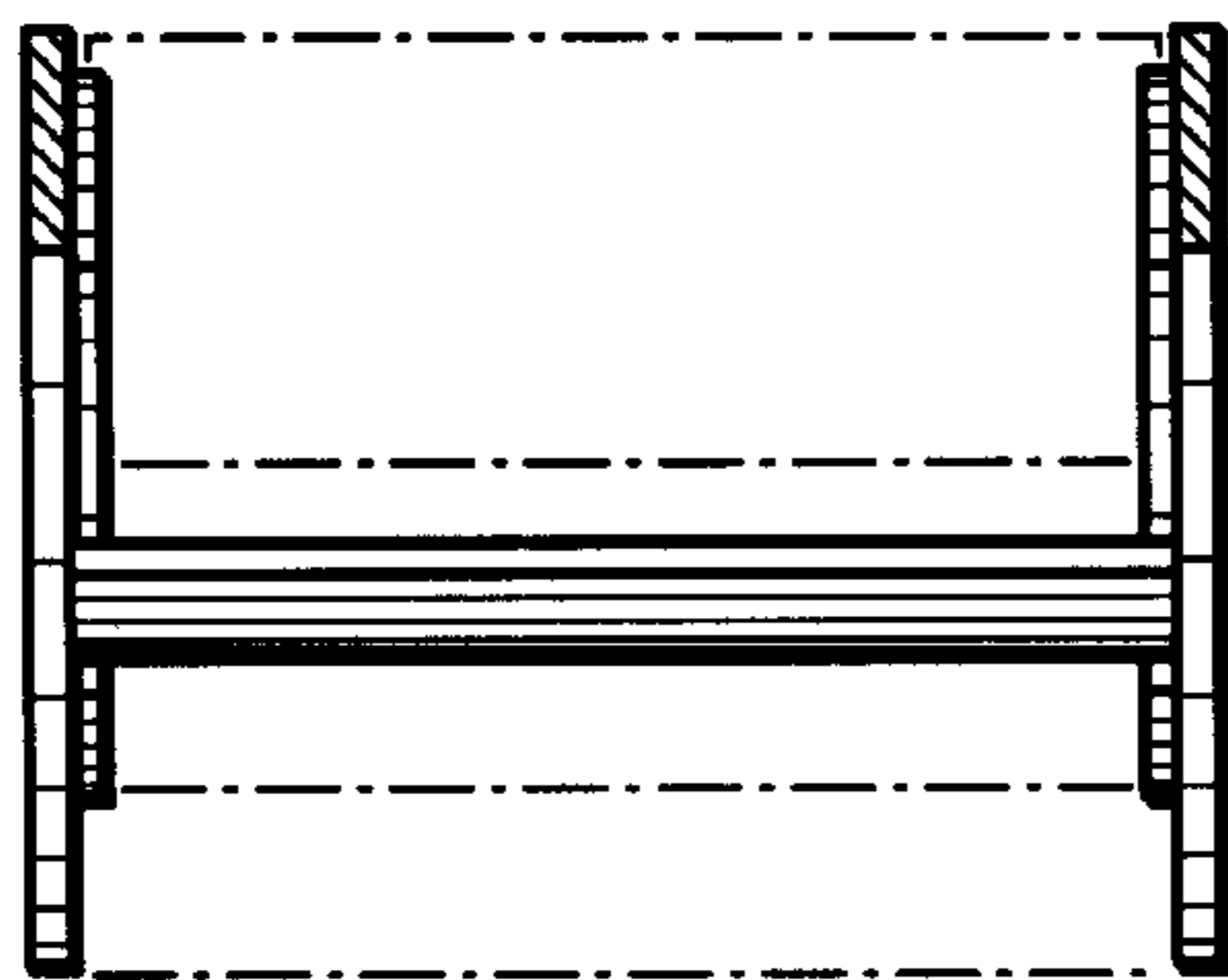


FIG. 20

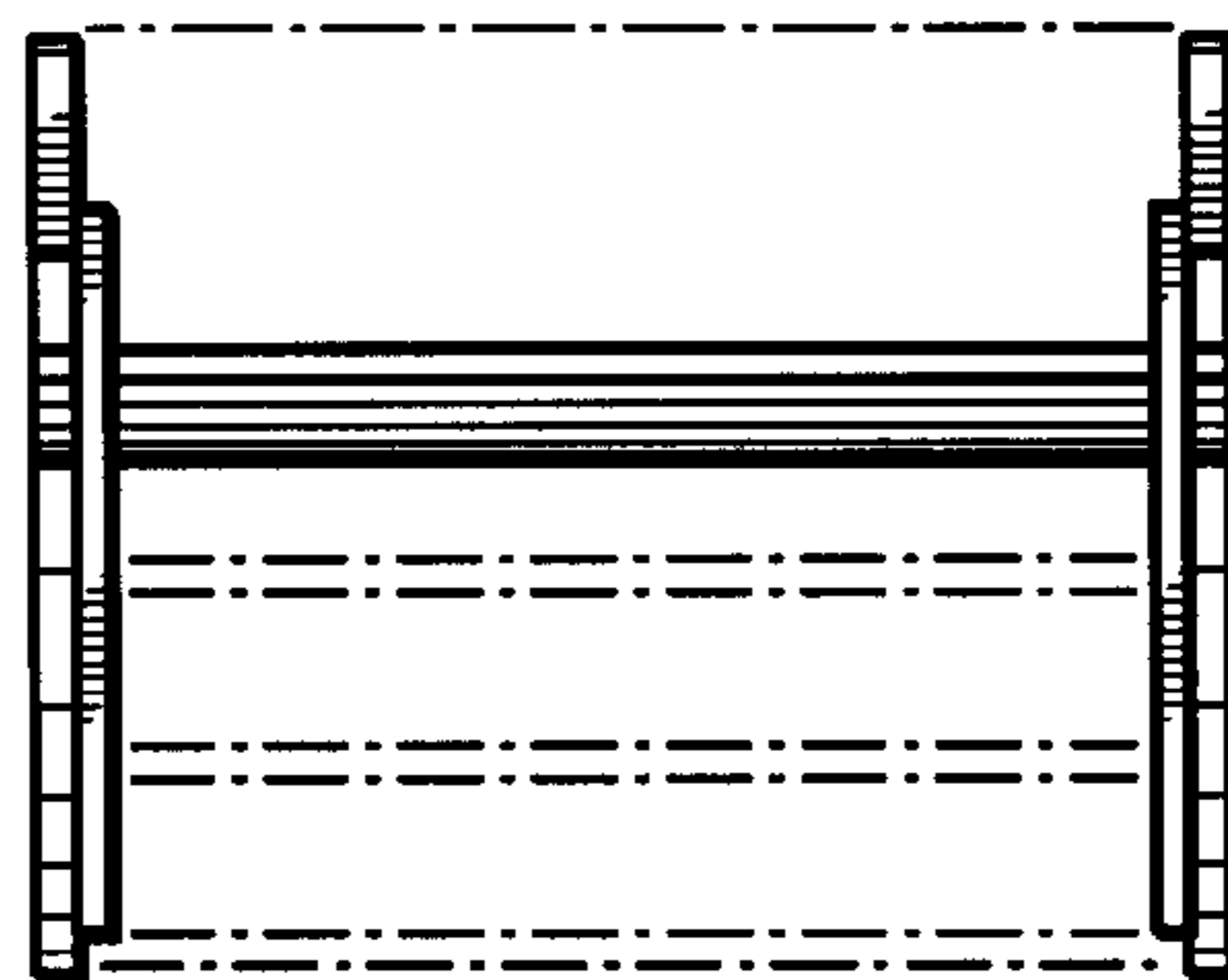


FIG. 21

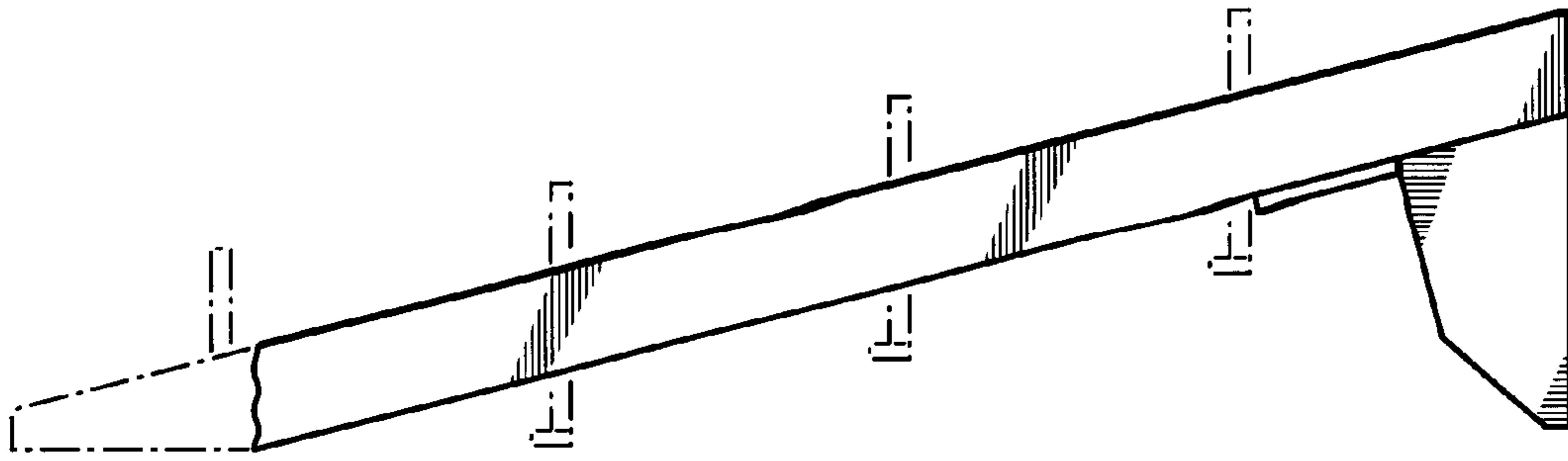


FIG. 19

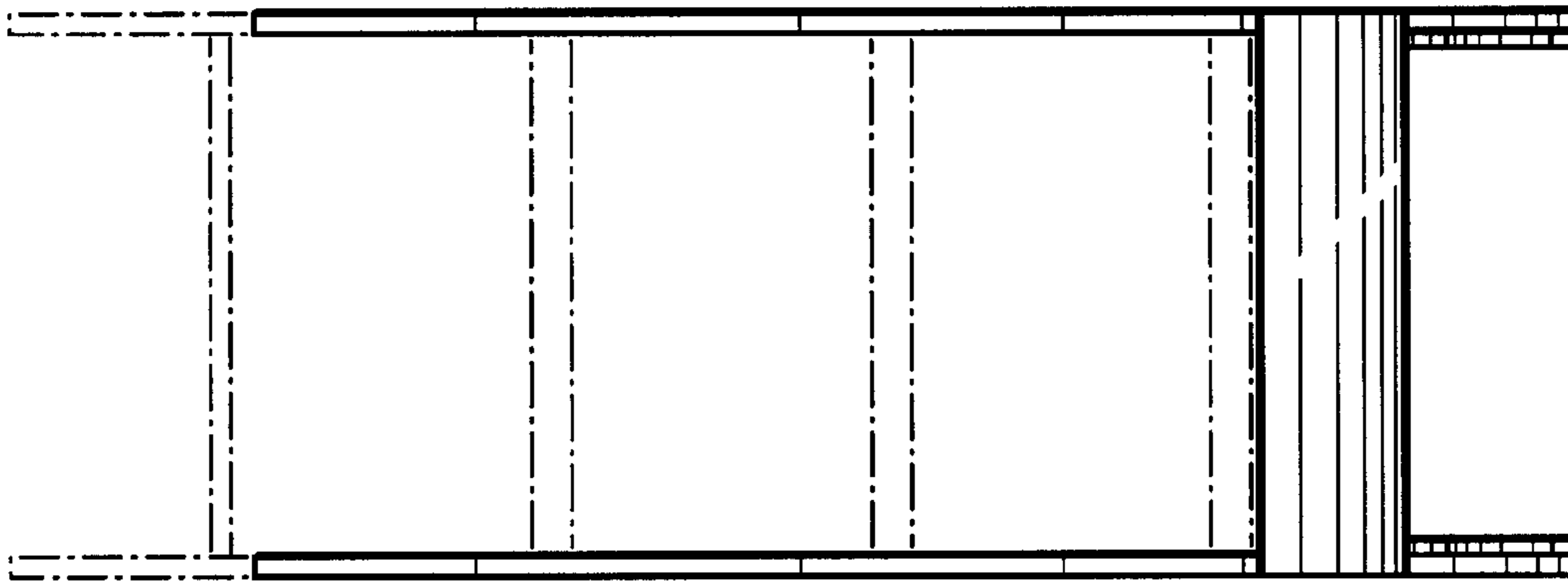


FIG. 18

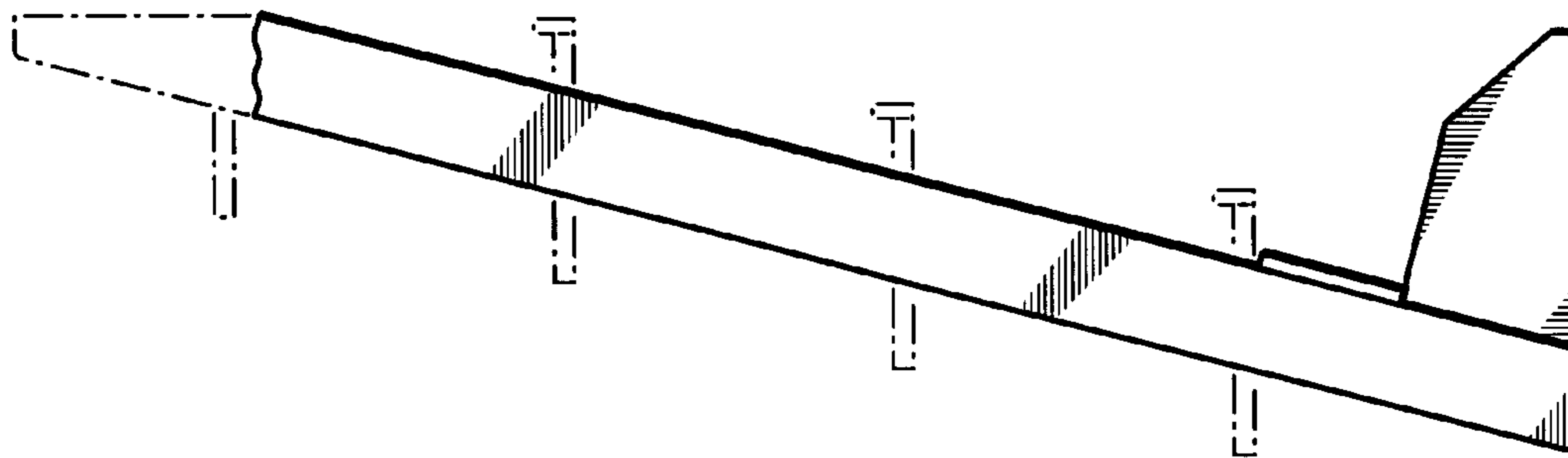


FIG. 17

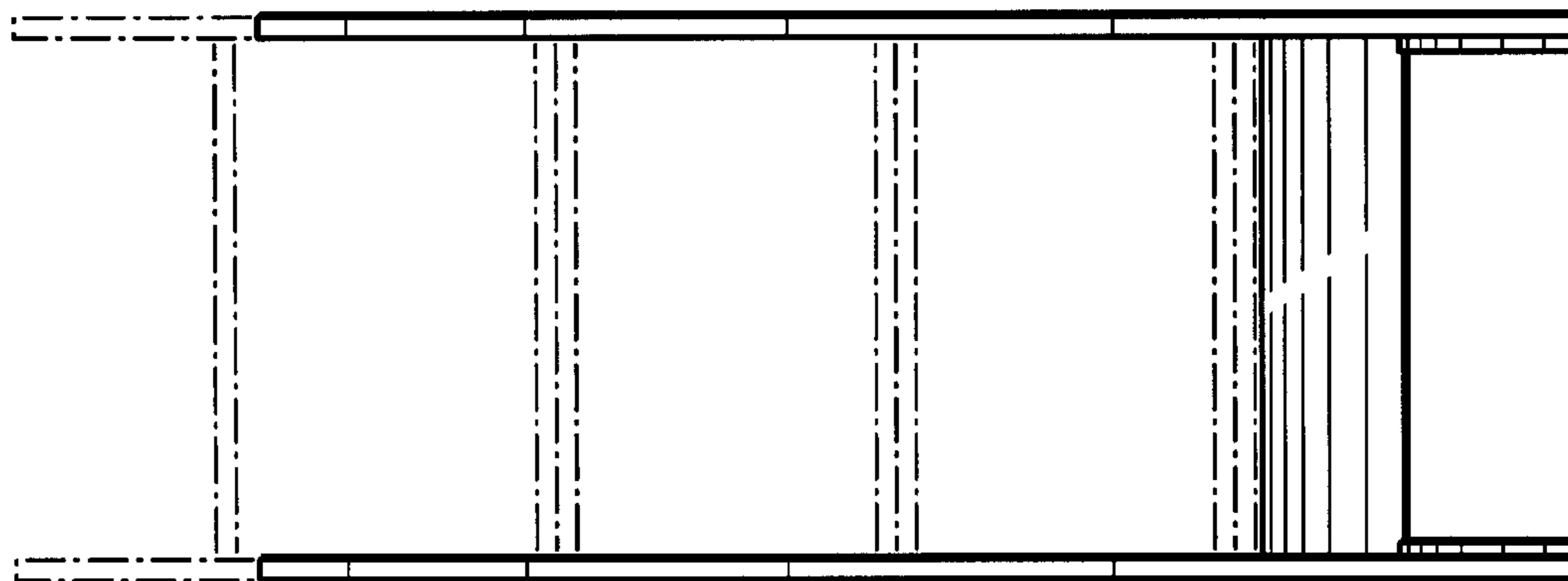


FIG. 16

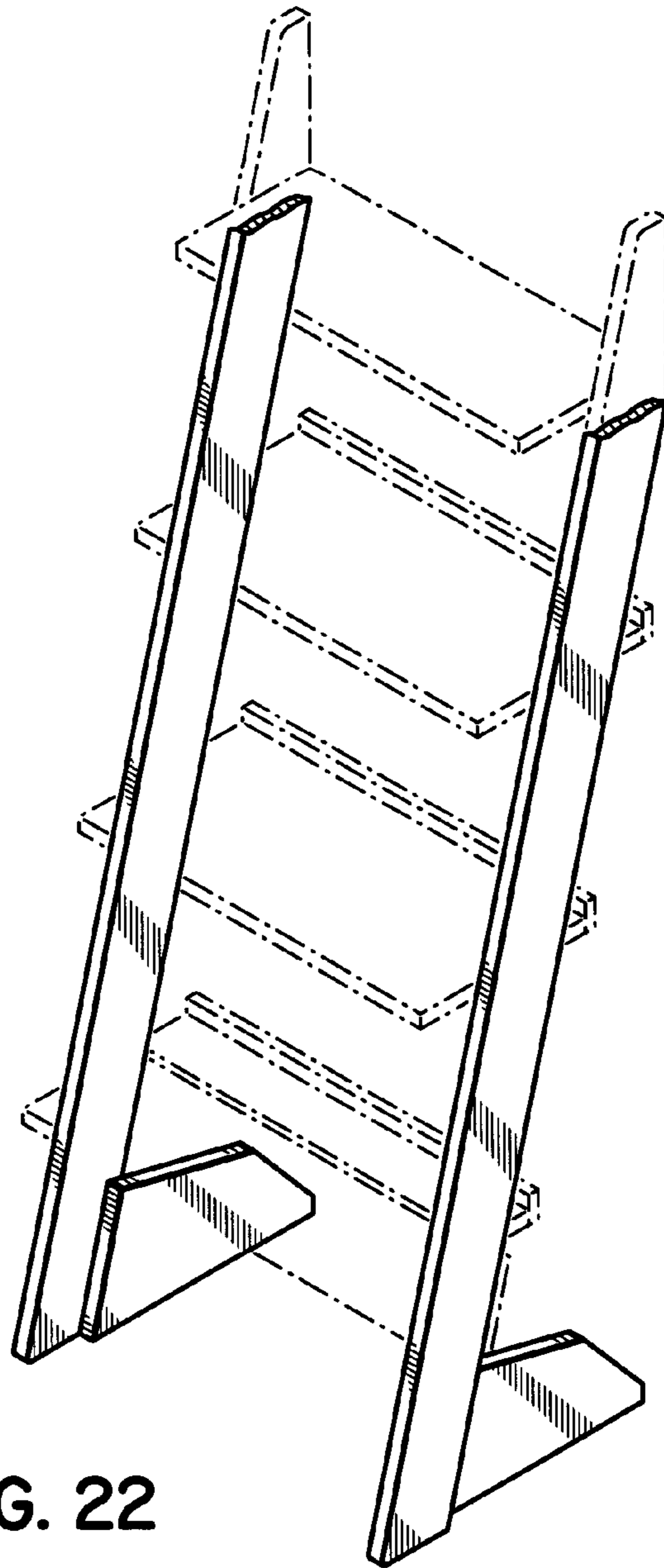


FIG. 22

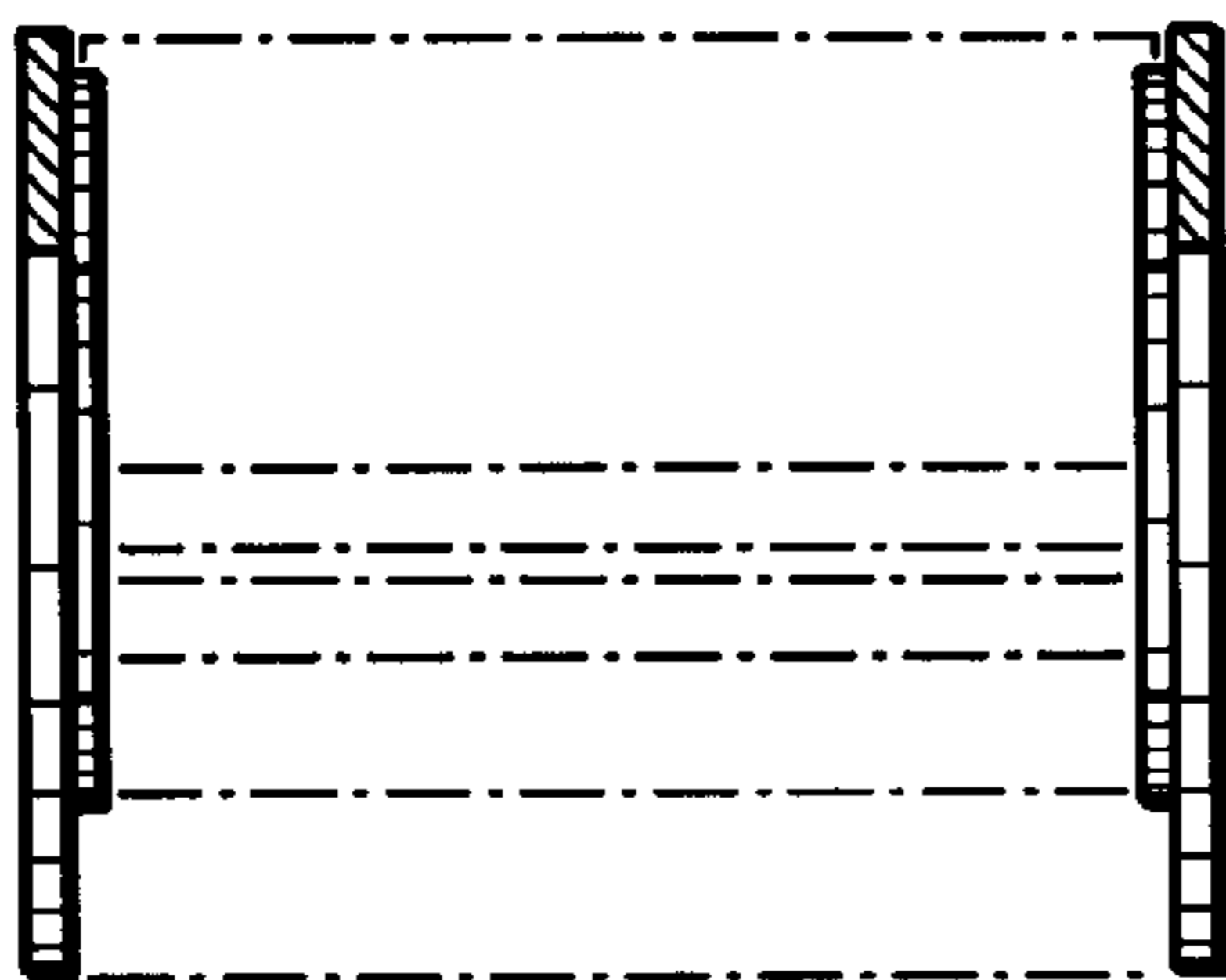


FIG. 27

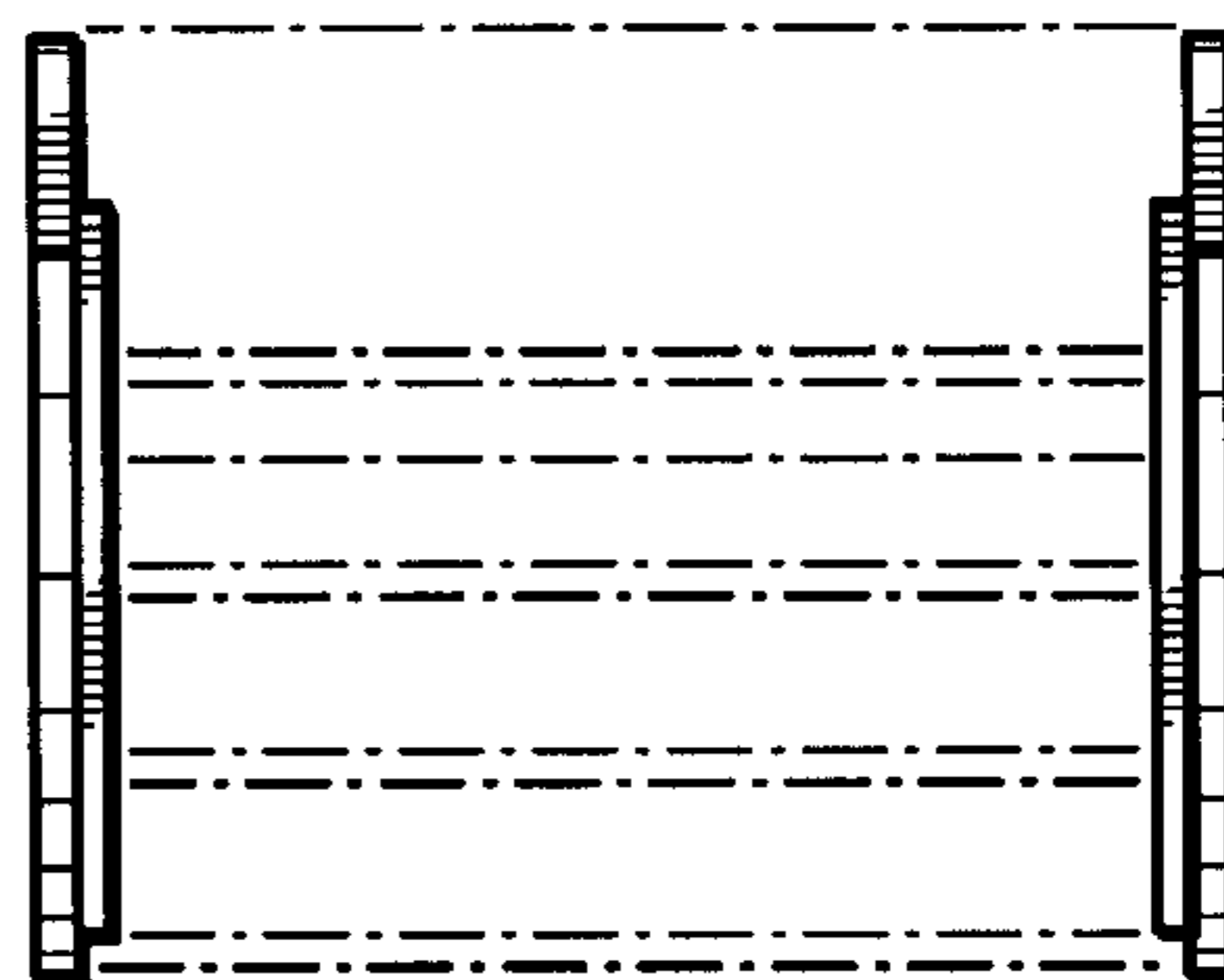


FIG. 28

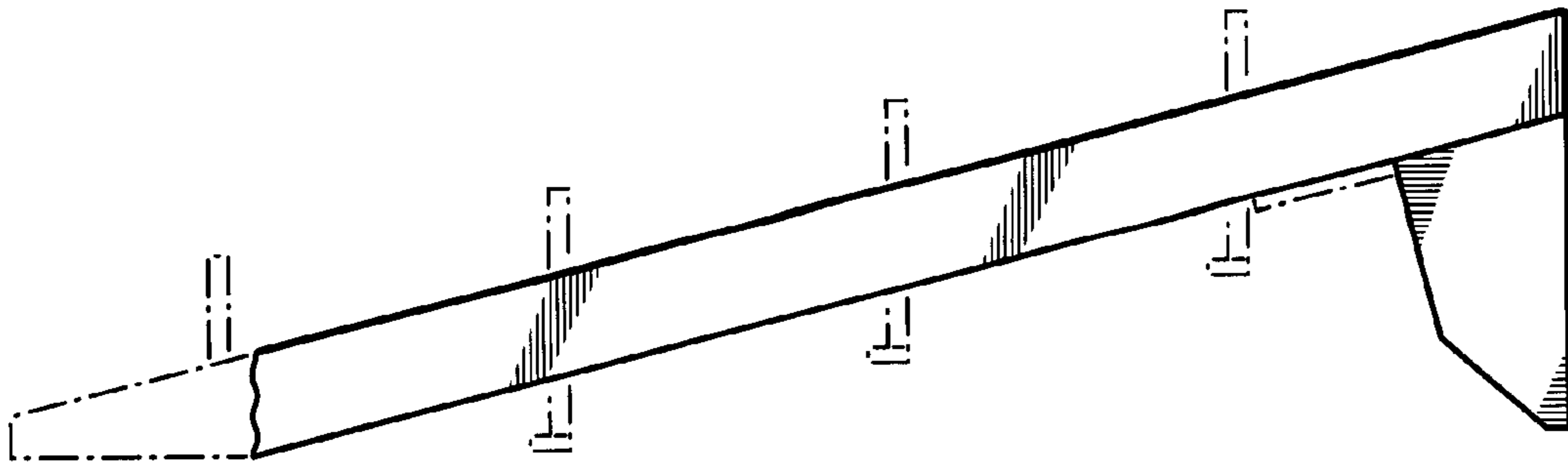


FIG. 26

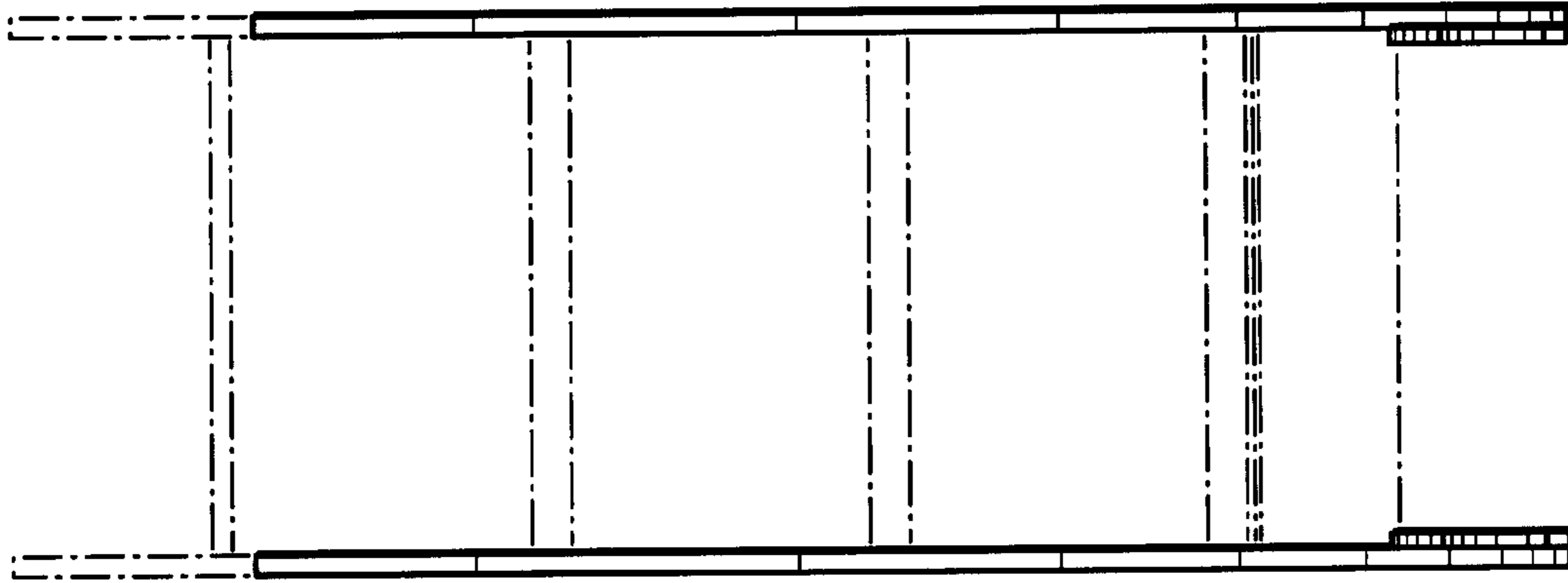


FIG. 25

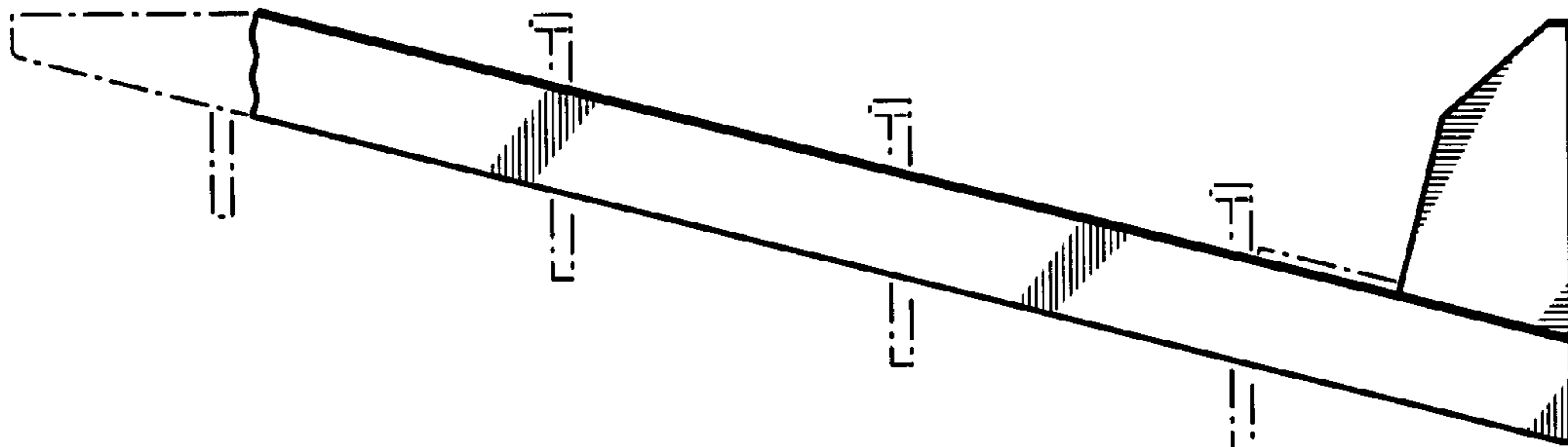


FIG. 24

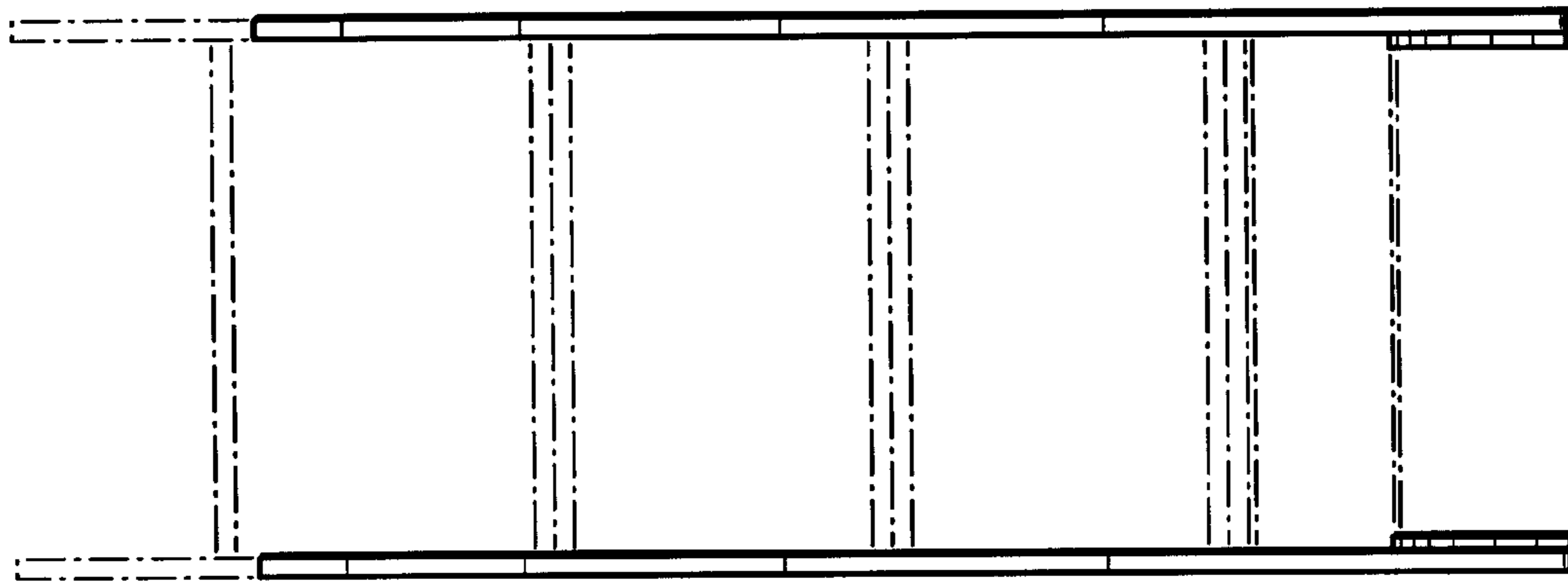


FIG. 23