



US00D516844S

(12) **United States Design Patent**  
**Mohundro**

(10) **Patent No.:** **US D516,844 S**  
(45) **Date of Patent:** **\*\* Mar. 14, 2006**

(54) **BED HEADBOARD**

(75) **Inventor:** **James Glenn Mohundro, Taichung (TW)**

(73) **Assignee:** **Pacific Marketing International (H.K.), Ltd., Taichung (TW)**

(\*\*) **Term:** **14 Years**

(21) **Appl. No.:** **29/213,674**

(22) **Filed:** **Sep. 22, 2004**

(51) **LOC (8) Cl.** ..... **06-06**

(52) **U.S. Cl.** ..... **D6/505**

(58) **Field of Classification Search** ..... **D6/382,**  
**D6/388, 389, 393-395, 505-508; 5/53.1,**  
**5/279.1, 280, 281, 310, 907**  
See application file for complete search history.

(56) **References Cited**

**U.S. PATENT DOCUMENTS**

D139,253 S \* 10/1944 Millington ..... D6/506  
D353,950 S \* 1/1995 Ferguson ..... D6/393

D469,285 S \* 1/2003 Stanton ..... D6/505  
D474,918 S \* 5/2003 Tobin, Jr. .... D6/393  
D475,224 S \* 6/2003 Paus ..... D6/505  
D502,344 S \* 3/2005 Risdon et al. .... D6/503

\* cited by examiner

*Primary Examiner*—Janice E. Seeger

(74) *Attorney, Agent, or Firm*—Rosenberg, Klein & Lee

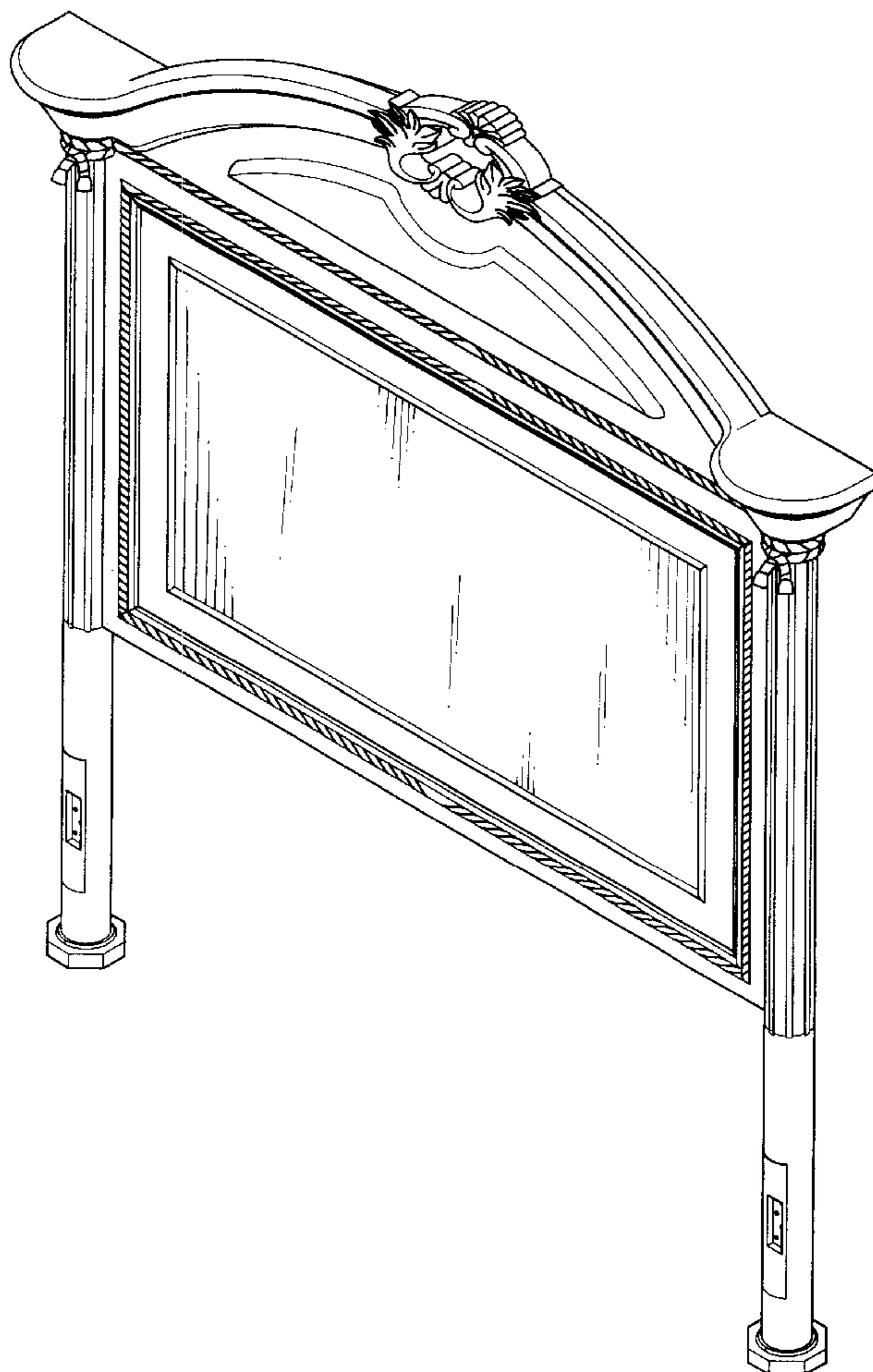
(57) **CLAIM**

The ornamental design for a bed headboard, as shown and described.

**DESCRIPTION**

FIG. 1 is a perspective view of a bead headboard, showing my new design;  
FIG. 2 is a front elevational view thereof;  
FIG. 3 is a rear elevational view thereof;  
FIG. 4 is a left elevational view thereof; and  
FIG. 5 is a right elevational view thereof;  
FIG. 6 is a top plan view thereof; and,  
FIG. 7 is a bottom plan view thereof.

**1 Claim, 5 Drawing Sheets**



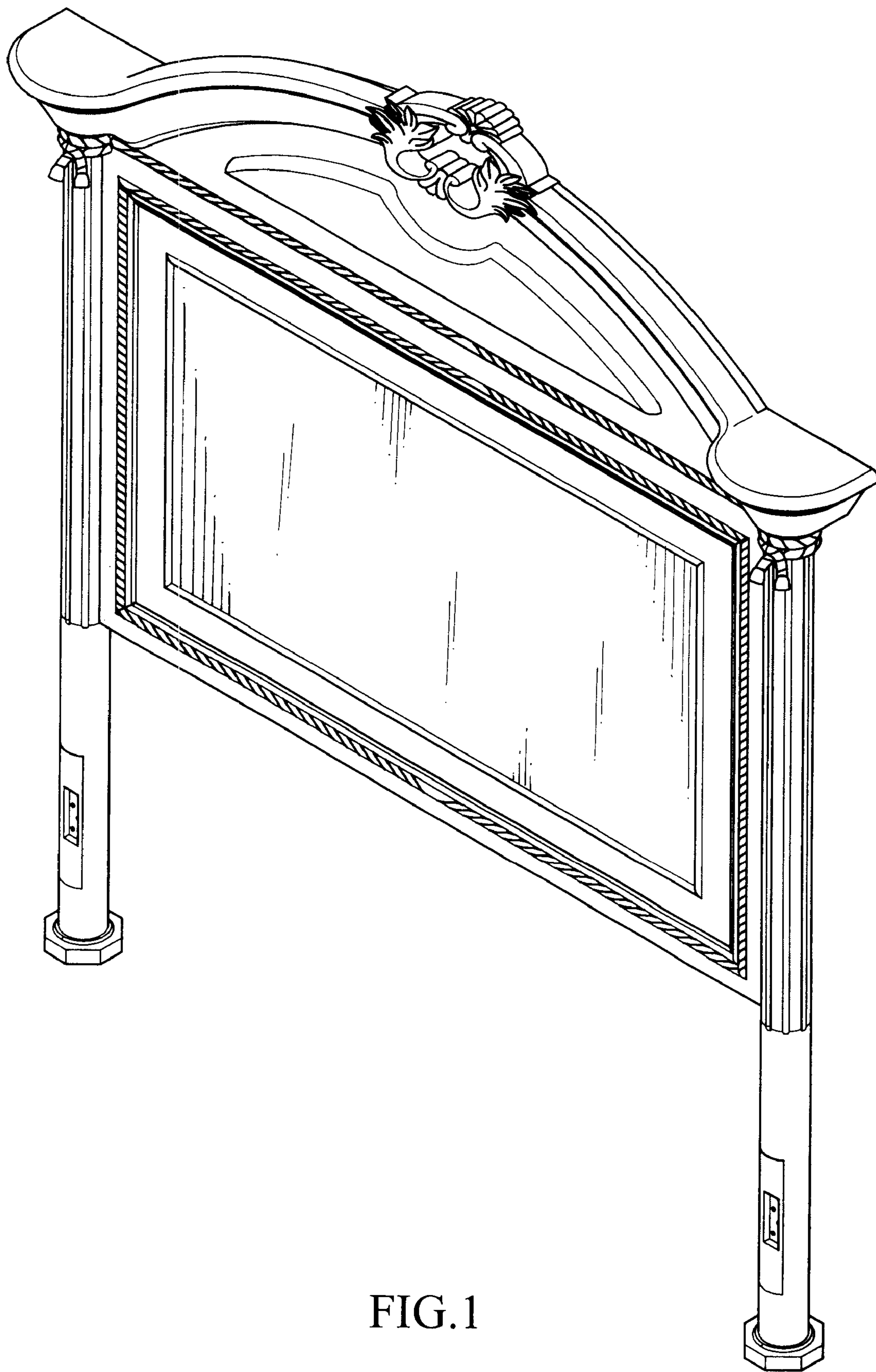


FIG. 1

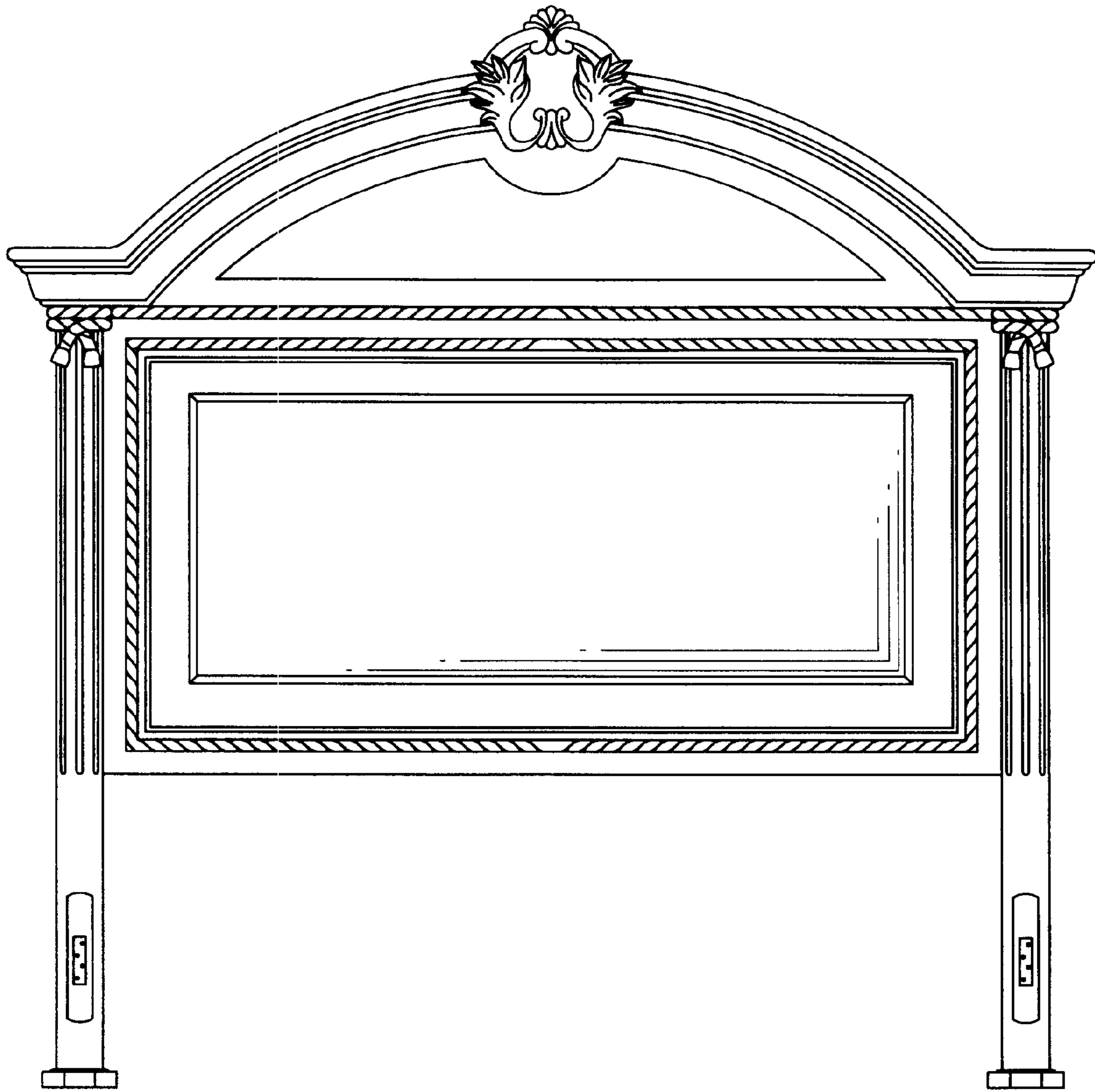


FIG. 2

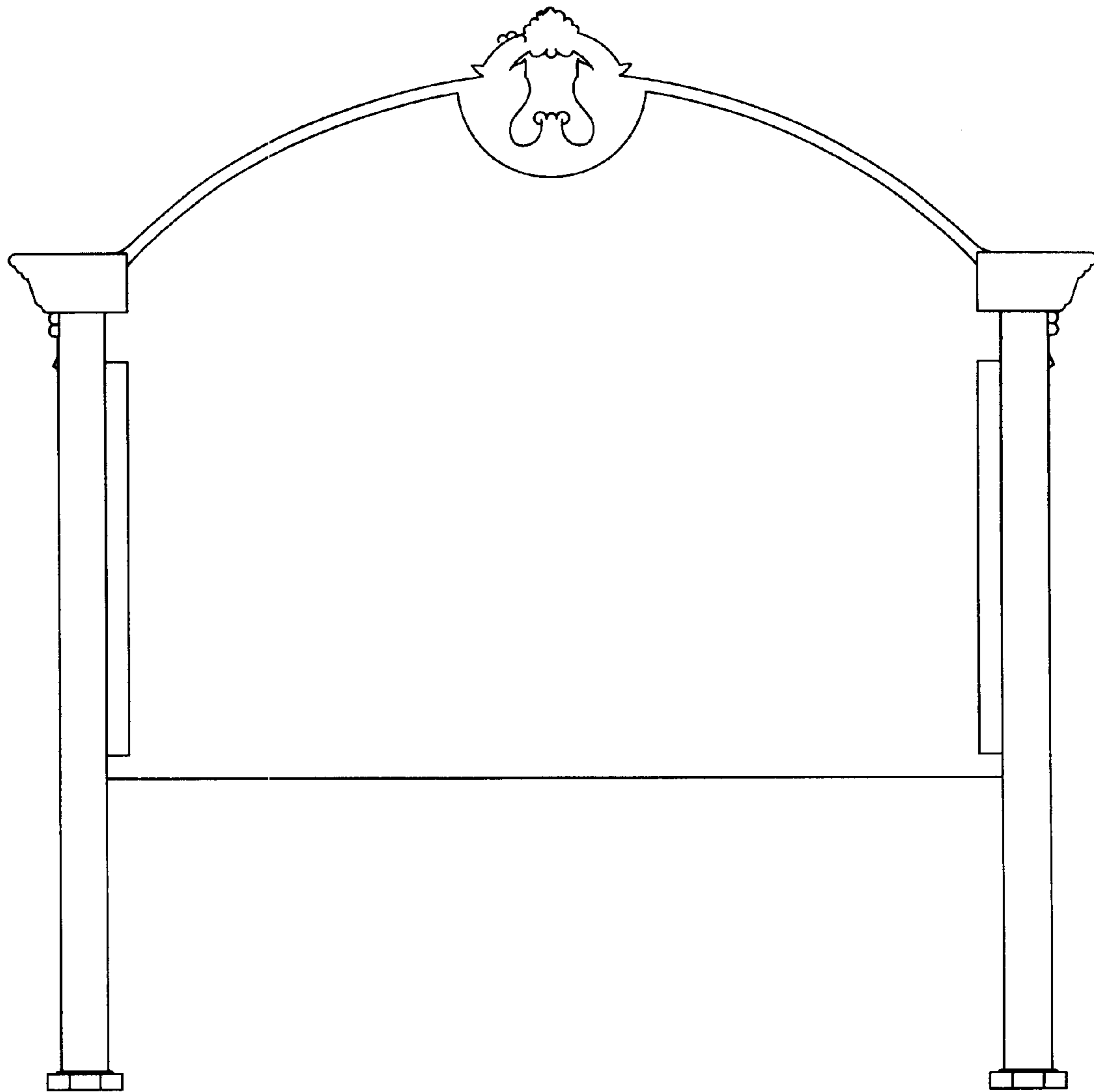


FIG.3

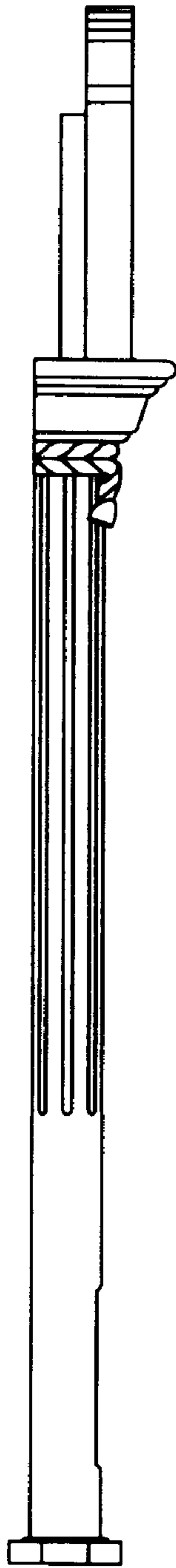


FIG. 4

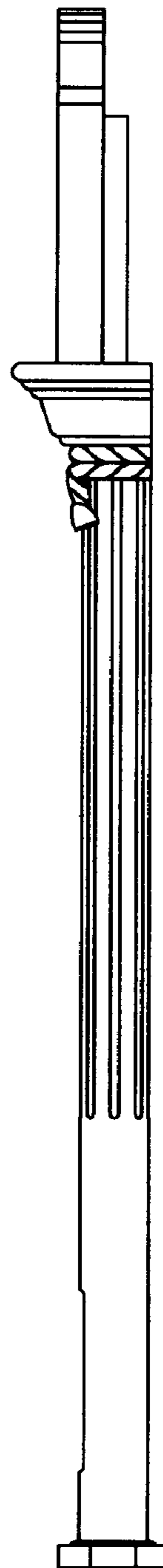


FIG. 5

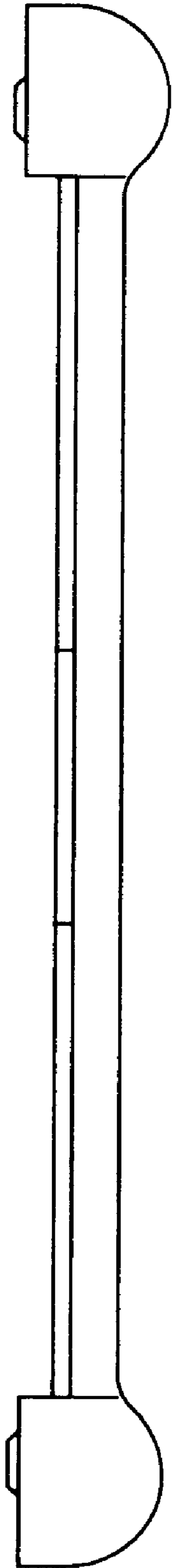


FIG. 6

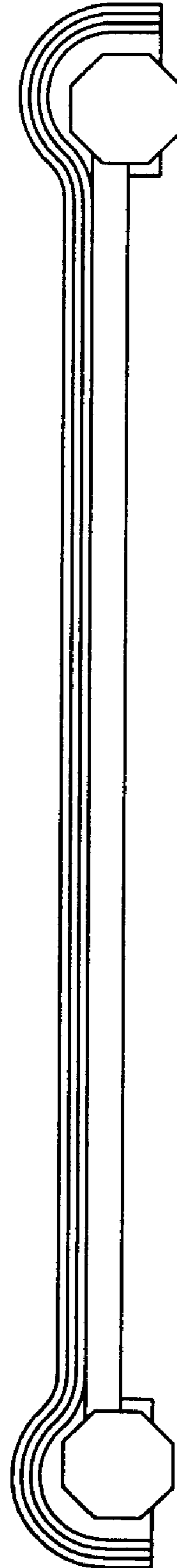


FIG. 7