



US00D516843S

(12) **United States Design Patent**
Mohundro

(10) **Patent No.:** **US D516,843 S**
(45) **Date of Patent:** **** Mar. 14, 2006**

(54) **BED FOOTBOARD**

(75) **Inventor:** **James Glenn Mohundro, Taichung (TW)**

(73) **Assignee:** **Pacific Marketing International (H.K.), Ltd., Taichung (TW)**

(**) **Term:** **14 Years**

(21) **Appl. No.:** **29/213,666**

(22) **Filed:** **Sep. 22, 2004**

(51) **LOC (8) Cl.** **06-06**

(52) **U.S. Cl.** **D6/505**

(58) **Field of Classification Search** **D6/382, D6/388, 389, 393-395, 505-508; 5/53.1, 5/279.1, 280, 281, 310, 907**

See application file for complete search history.

(56) **References Cited**

U.S. PATENT DOCUMENTS

D139,253 S * 10/1944 Millington D6/506

D353,950 S * 1/1995 Ferguson D6/393
D475,862 S * 6/2003 McDaniel et al. D6/393
D485,696 S * 1/2004 Risdon et al. D6/393
D502,344 S * 3/2005 Risdon et al. D6/503

* cited by examiner

Primary Examiner—Janice E. Seeger

(74) *Attorney, Agent, or Firm*—Rosenberg, Klein & Lee

(57) **CLAIM**

The ornamental design for a bed footboard, as shown and described.

DESCRIPTION

FIG. 1 is a perspective view of a bed footboard, showing my new design;

FIG. 2 is a front elevational view thereof;

FIG. 3 is a rear elevational view thereof;

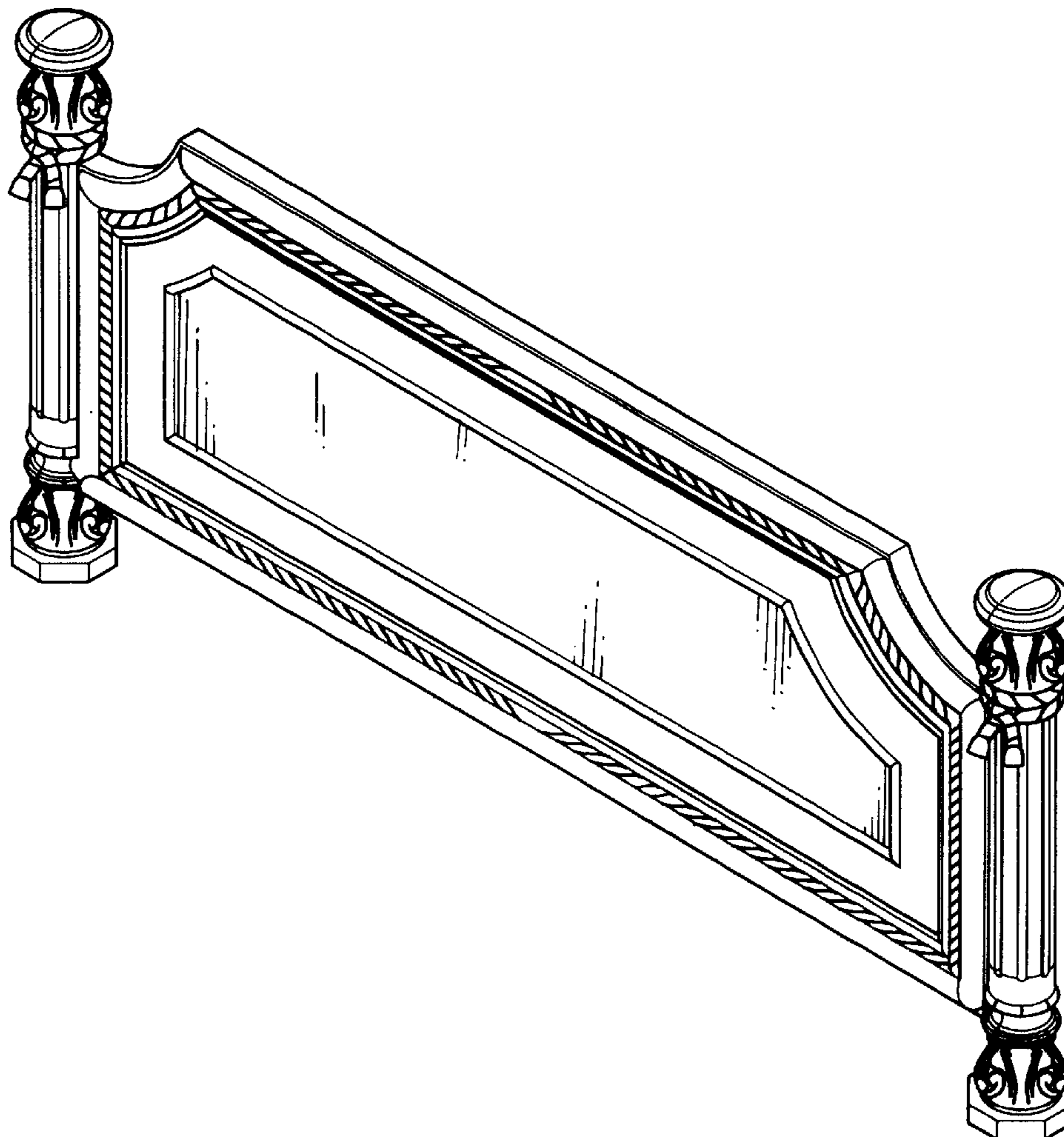
FIG. 4 is a left elevational view thereof; and

FIG. 5 is a right elevational view thereof;

FIG. 6 is a top plan view thereof; and,

FIG. 7 is a bottom plan view thereof.

1 Claim, 5 Drawing Sheets



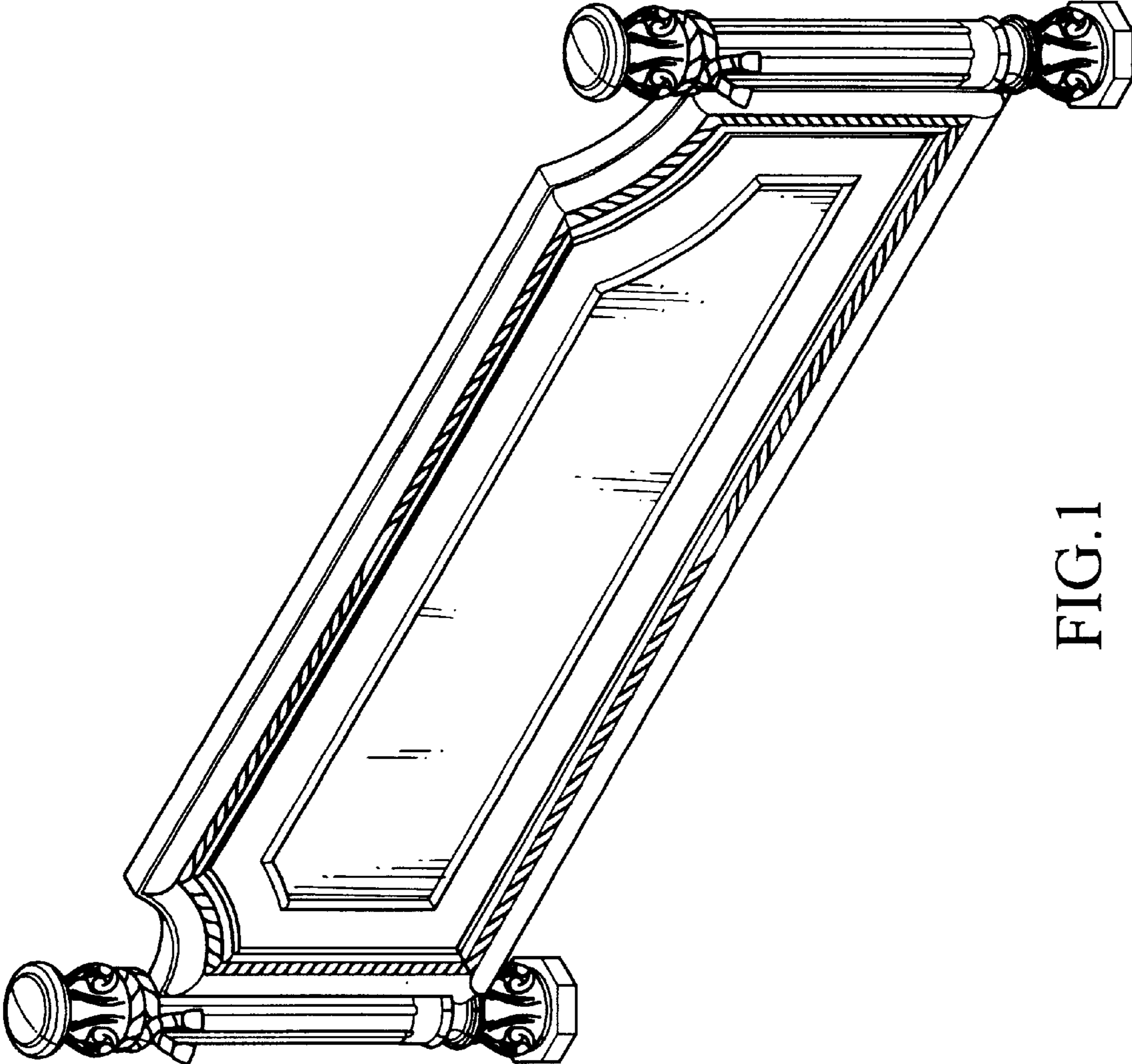


FIG.1

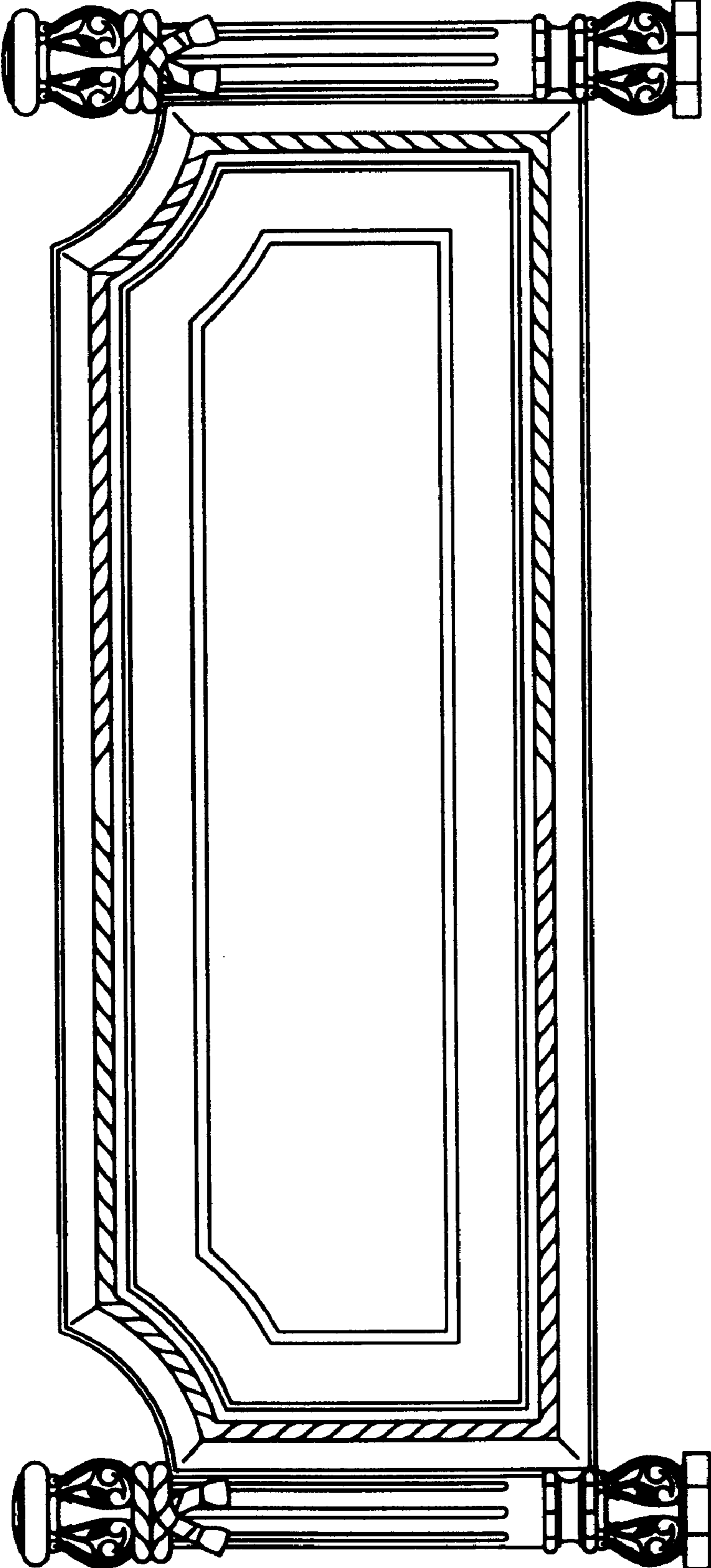


FIG. 2

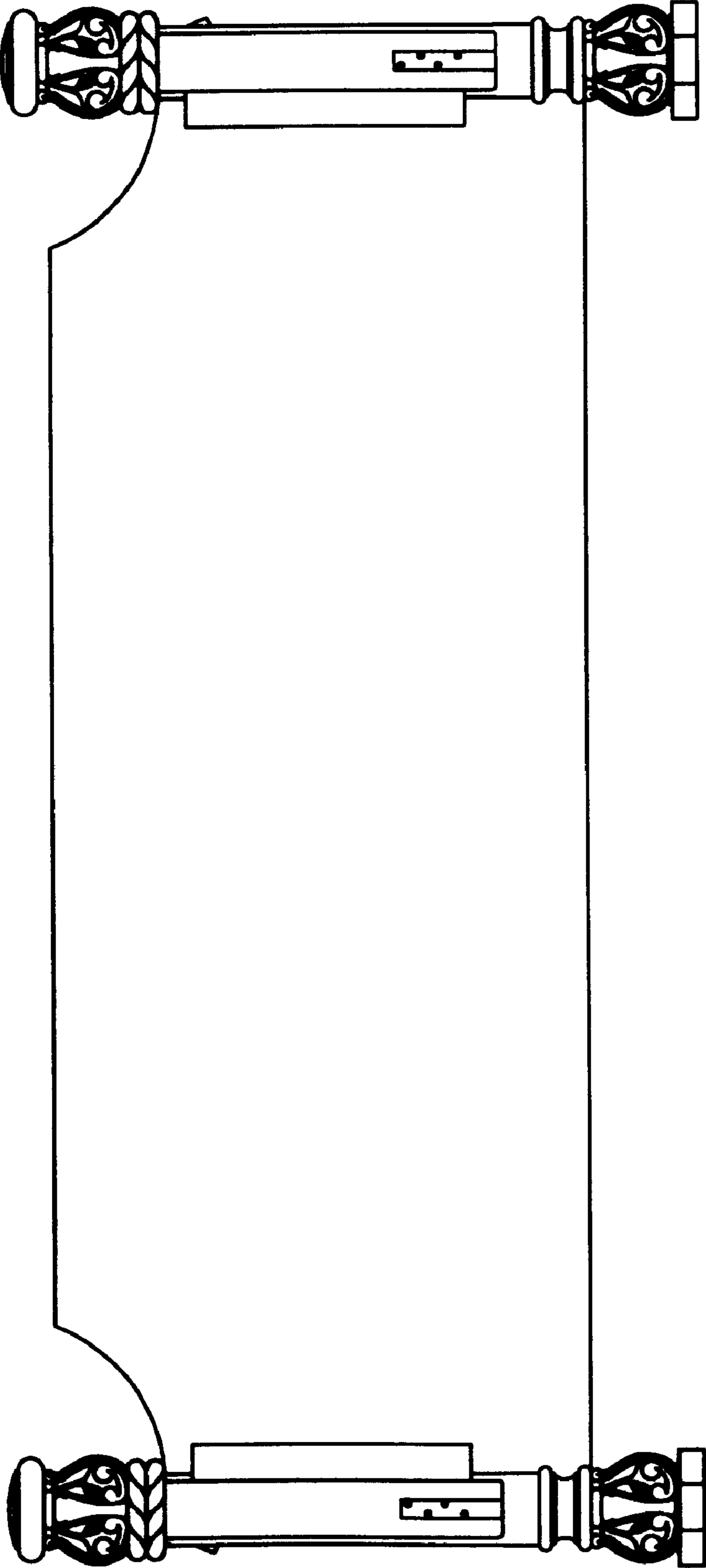


FIG.3

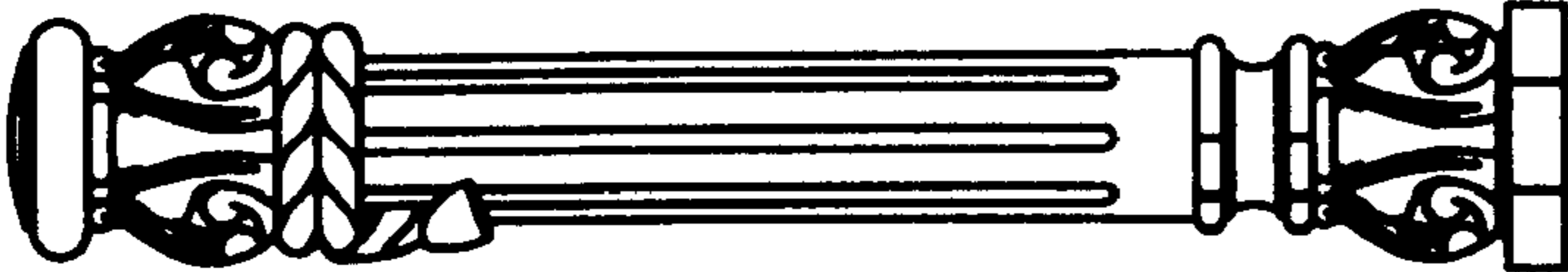


FIG.5

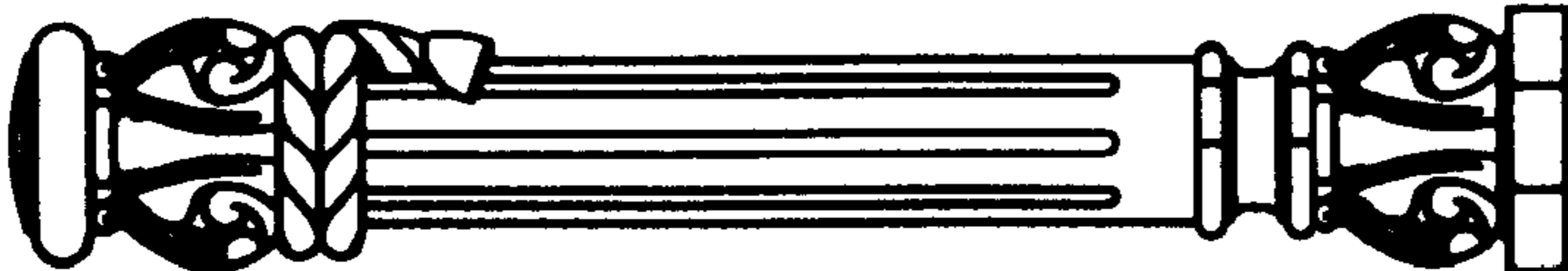


FIG.4

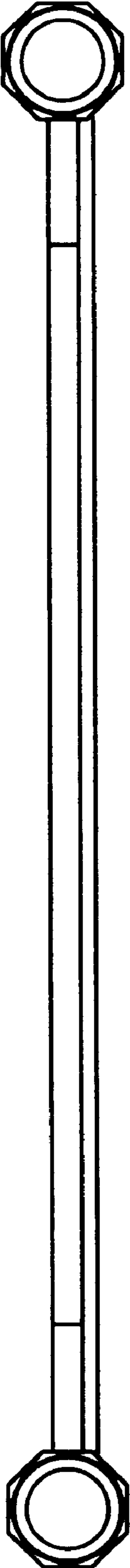


FIG. 6

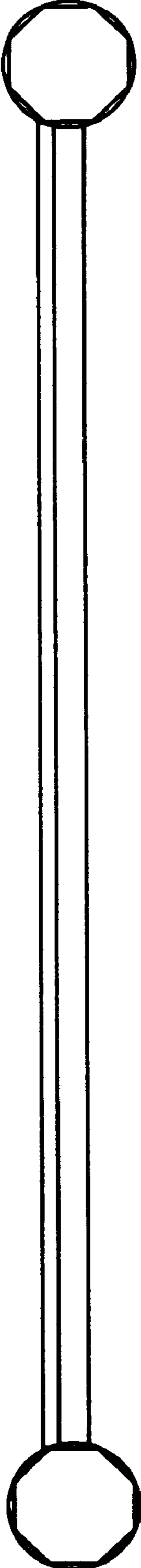


FIG. 7