



US00D516842S

(12) **United States Design Patent** (10) **Patent No.:** **US D516,842 S**
Cross (45) **Date of Patent:** **** Mar. 14, 2006**

(54) **LOW TABLE**

(75) **Inventor:** **Curtis L. Cross**, 3663 Columbiaville Rd., Columbiaville, MI (US) 48421

(73) **Assignee:** **Curtis L. Cross**, Columbiaville, MI (US)

(**) **Term:** **14 Years**

(21) **Appl. No.:** **29/206,012**

(22) **Filed:** **May 24, 2004**

(51) **LOC (8) Cl.** **06-03**

(52) **U.S. Cl.** **D6/480**

(58) **Field of Classification Search** D6/480-489, D6/495, 497-499, 511, 349; 108/151, 153.1, 108/155, 156, 157.1, 161; 248/188, 188.1, 248/188.7, 188.8

See application file for complete search history.

(56) **References Cited**

U.S. PATENT DOCUMENTS

D239,684 S	*	4/1976	Robertson	D6/485
D249,312 S	*	9/1978	Taber	D6/484
D406,708 S	*	3/1999	Hilton	D6/480

OTHER PUBLICATIONS

Lister by Geebro Oct. 1, 1991, stool at right and 2nd from bottom.*

Kingsley-Bate Oct. 1, 1991, p. 9, stool.*

* cited by examiner

Primary Examiner—Janice E. Seeger

(74) *Attorney, Agent, or Firm*—Reising, Ethington, Barnes, Kisselle & Learman, P.C.

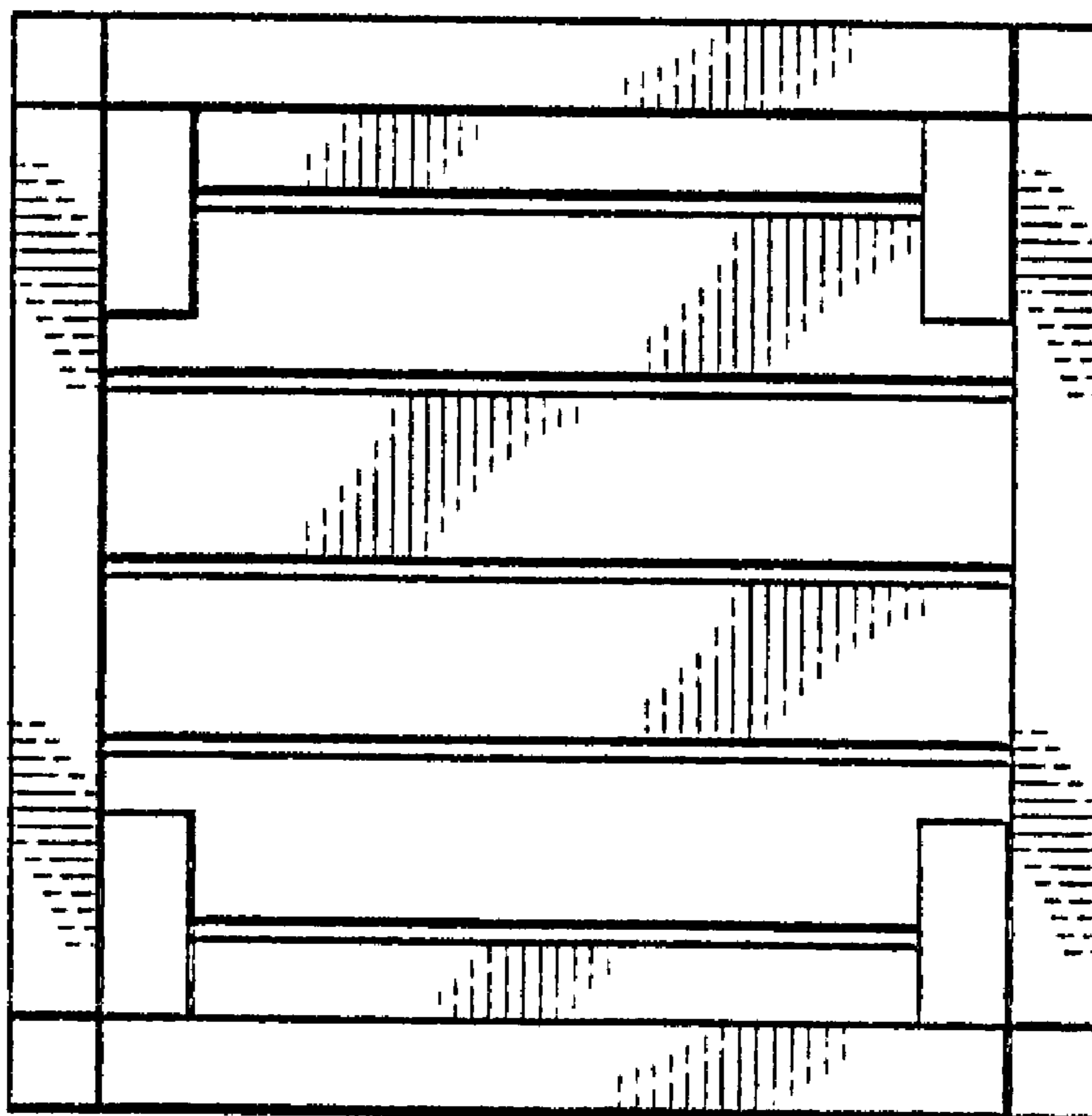
(57) **CLAIM**

The ornamental design for a low table, as shown and described.

DESCRIPTION

FIG. 1 is a perspective view of the low table;
FIG. 2 is an end elevational view of the low table;
FIG. 3 is a top plan view of the low table;
FIG. 4 is a side elevational view of the low table;
FIG. 5 is a bottom plan view of the low table;
FIG. 6 is a perspective plan view of an elongated low table showing an alternate embodiment of my new design;
FIG. 7 is an end elevational view of the elongated low table;
FIG. 8 is a top plan view of the elongated low table;
FIG. 9 is a front elevational view of the elongated low table; and,
FIG. 10 is a bottom plan view of the elongated low table.

1 Claim, 4 Drawing Sheets



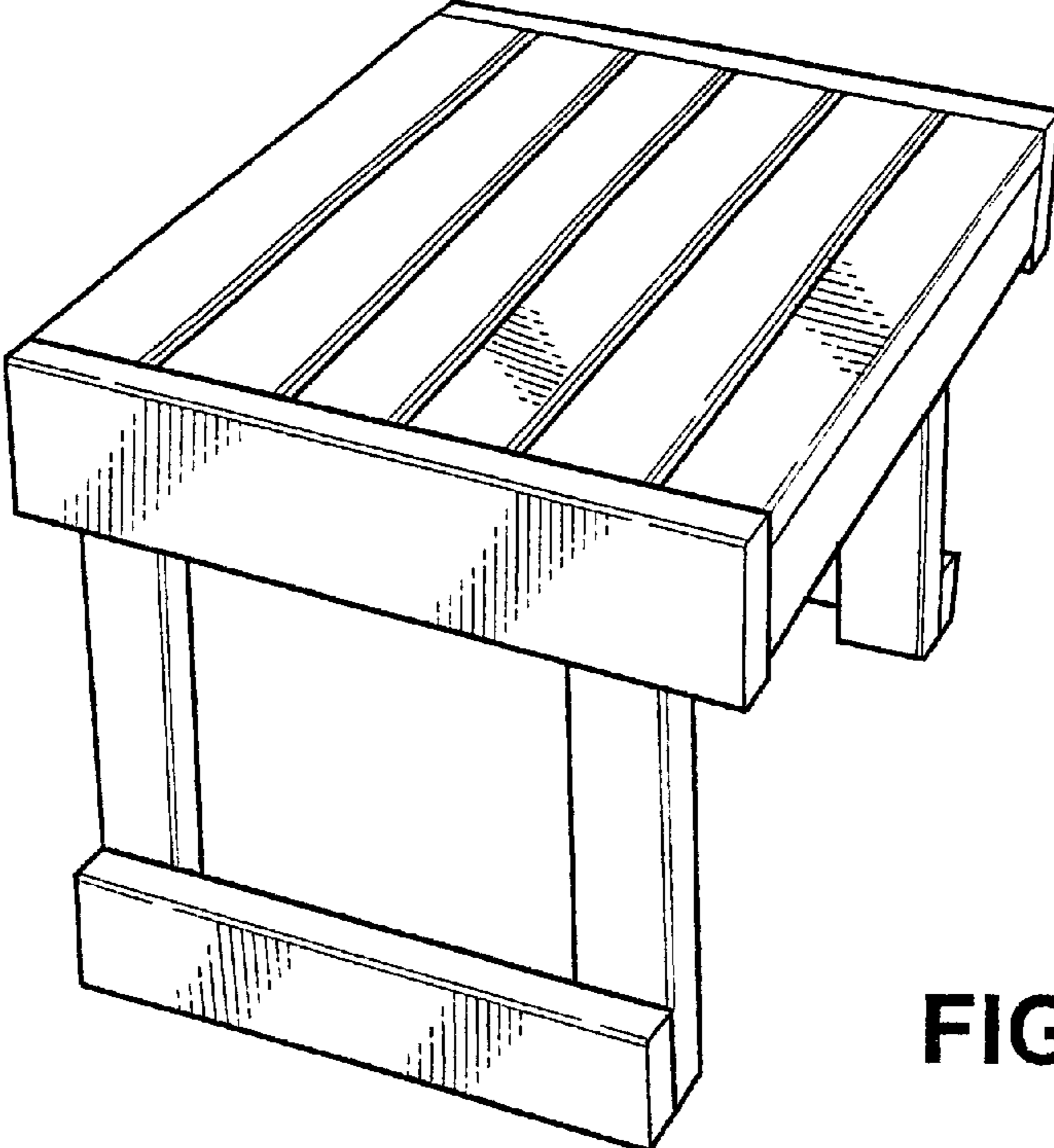


FIG - 1

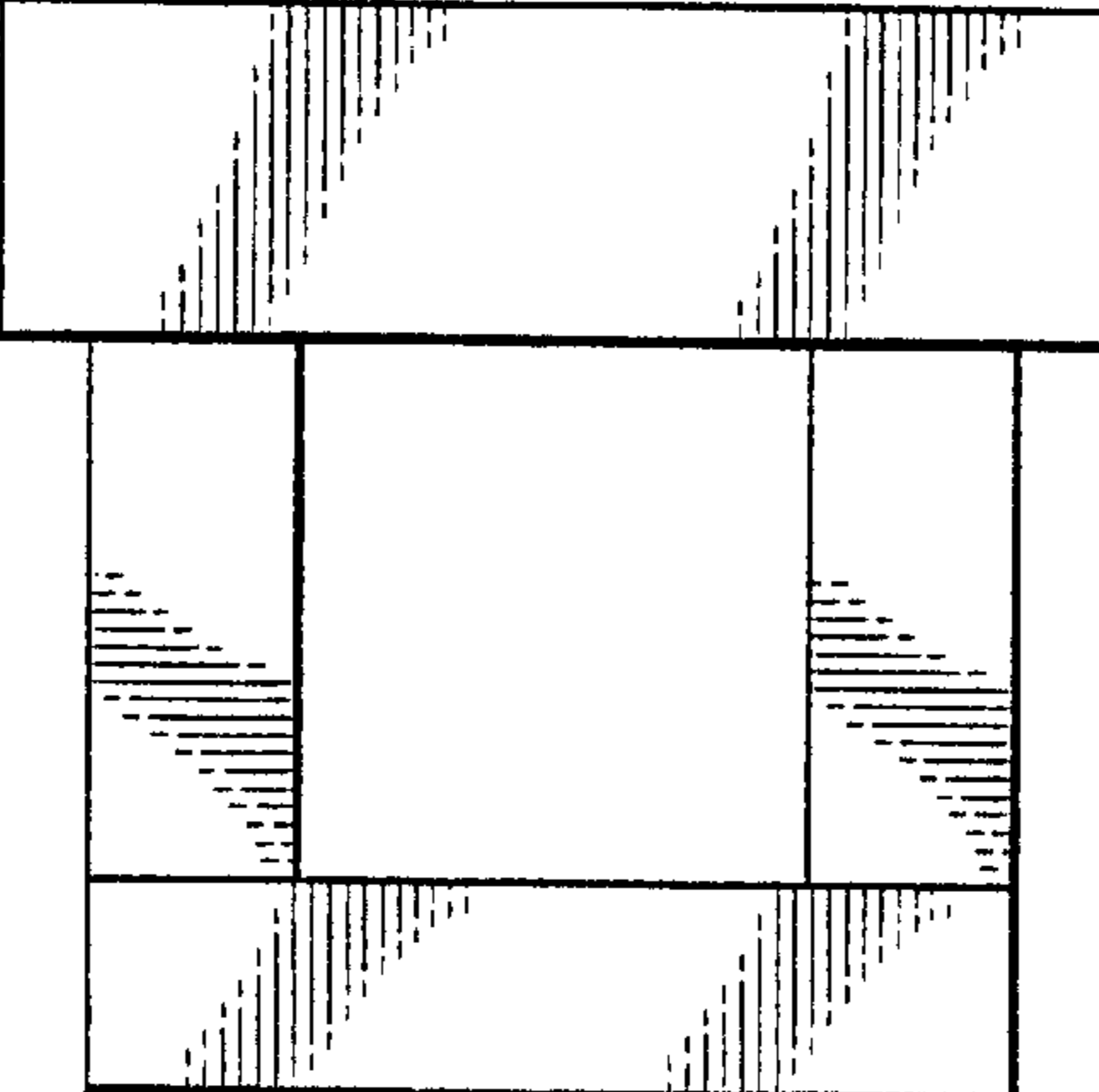


FIG - 2

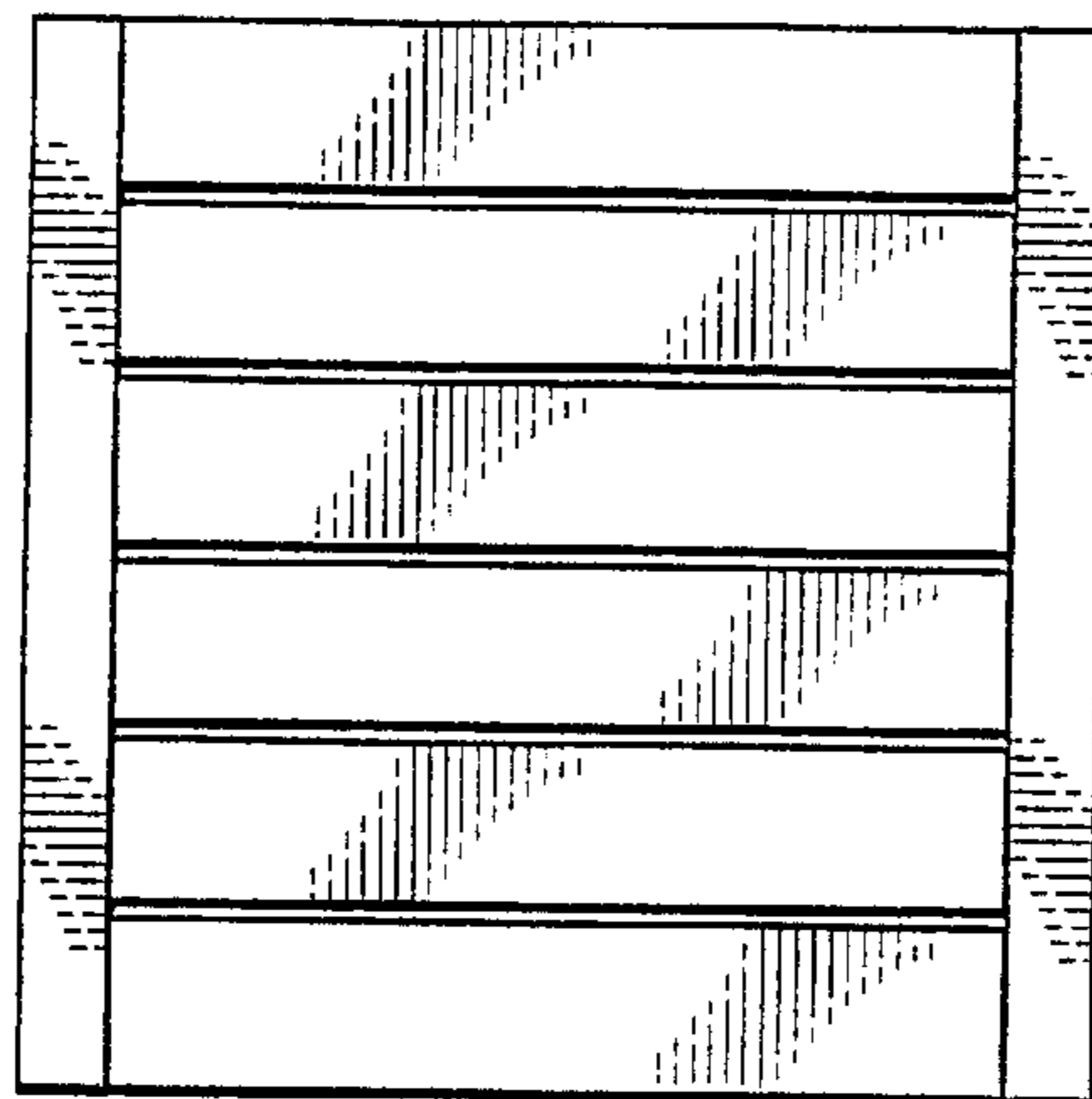


FIG - 3

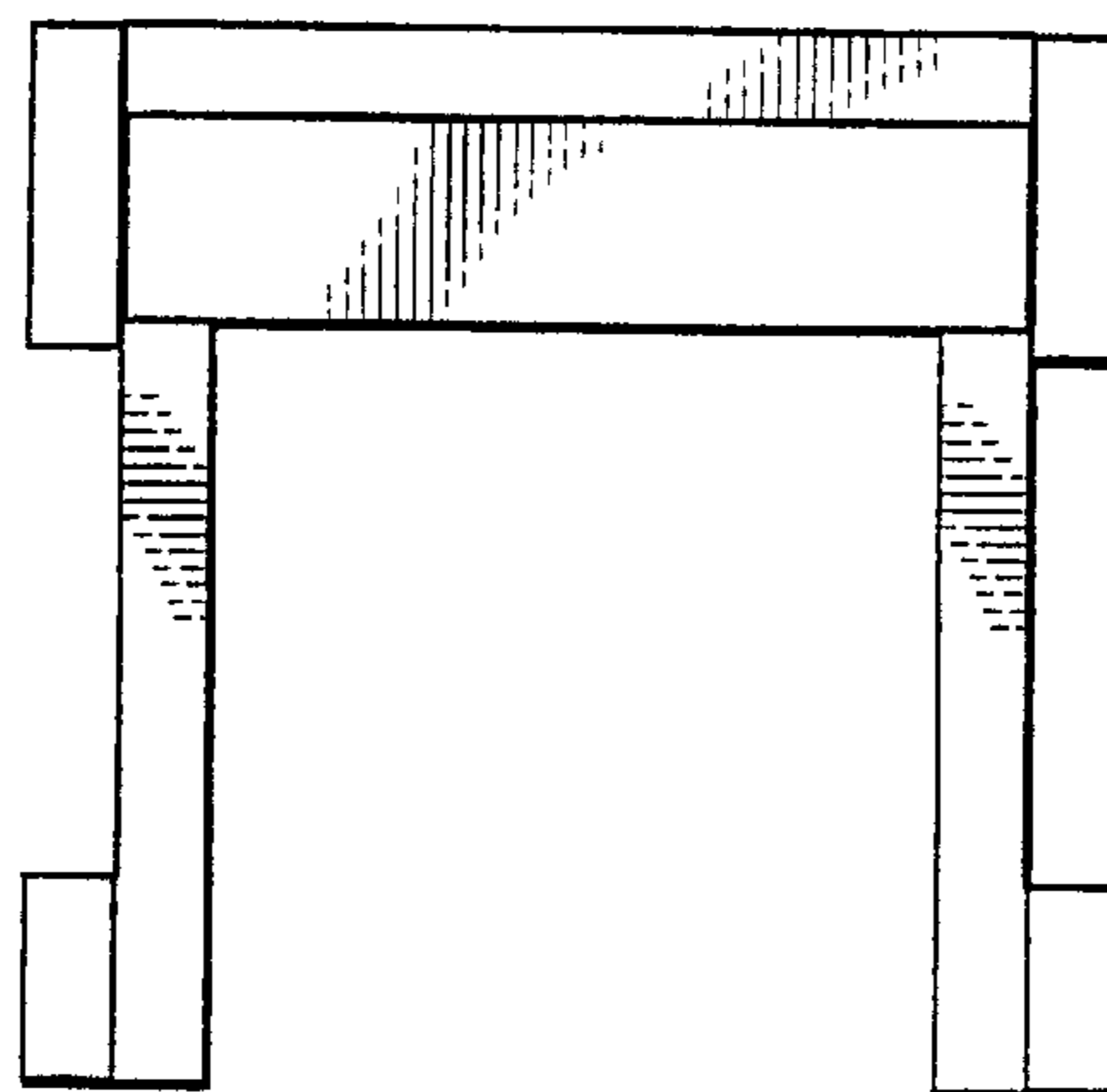


FIG - 4

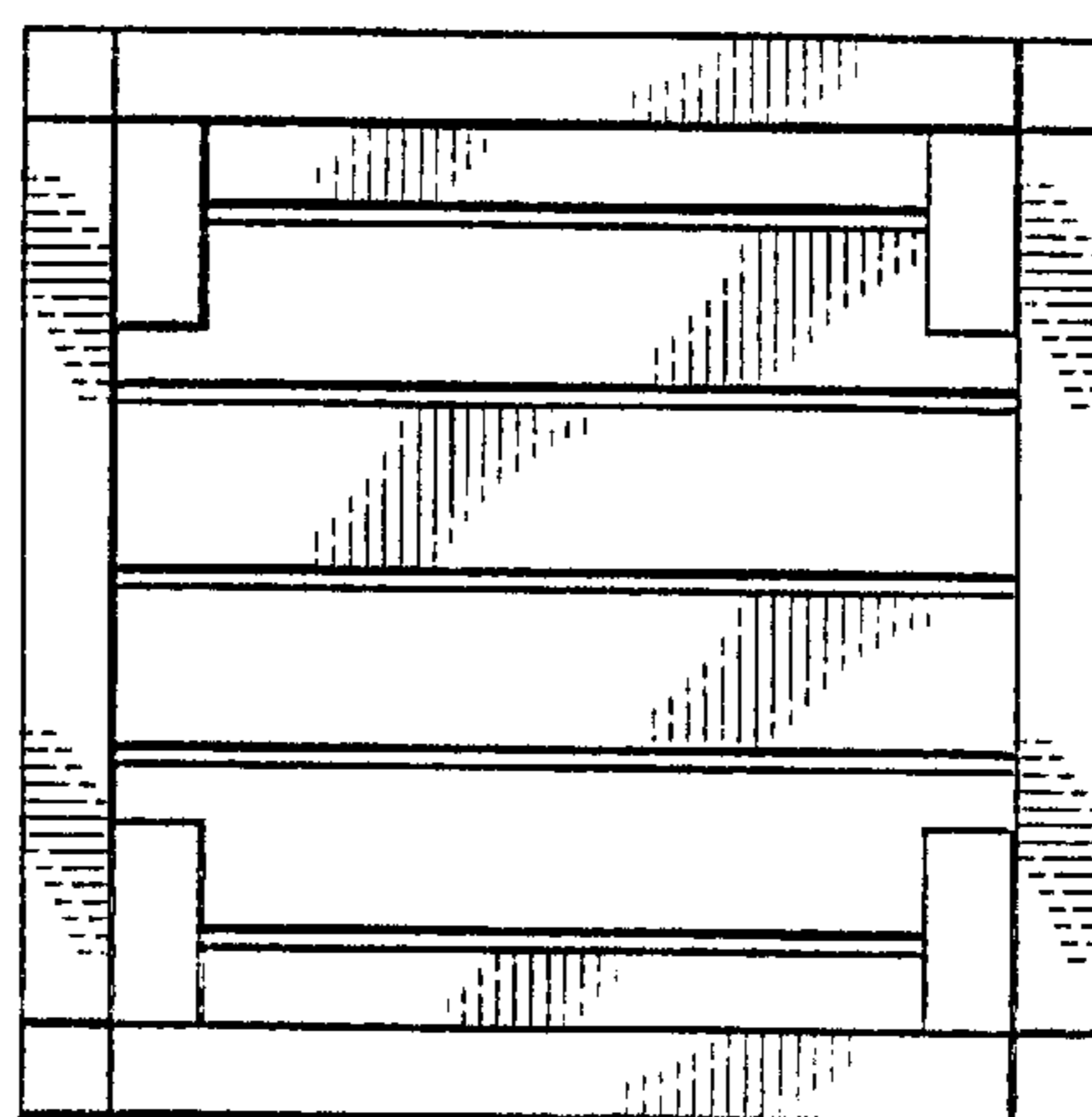


FIG - 5

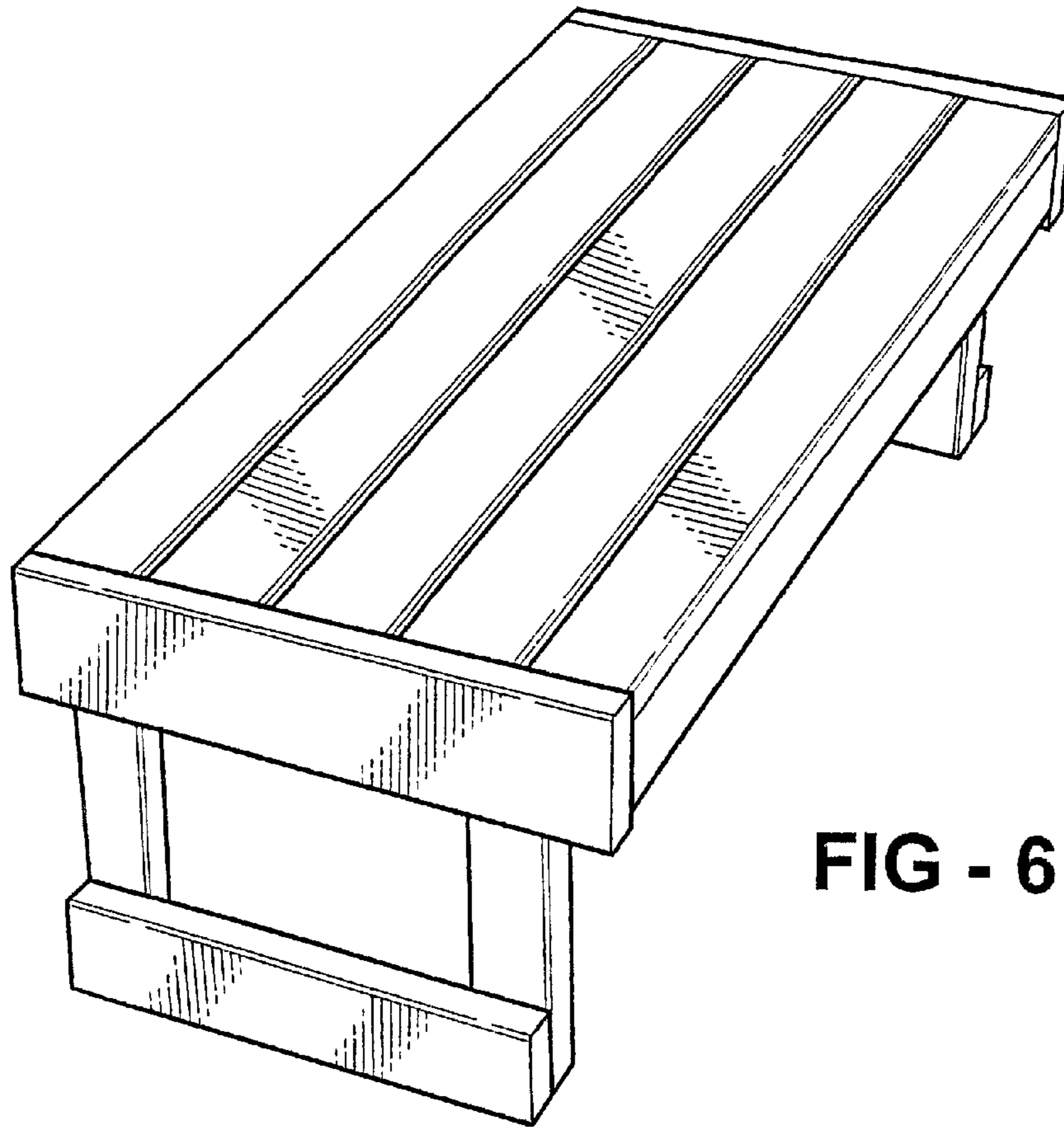


FIG - 6

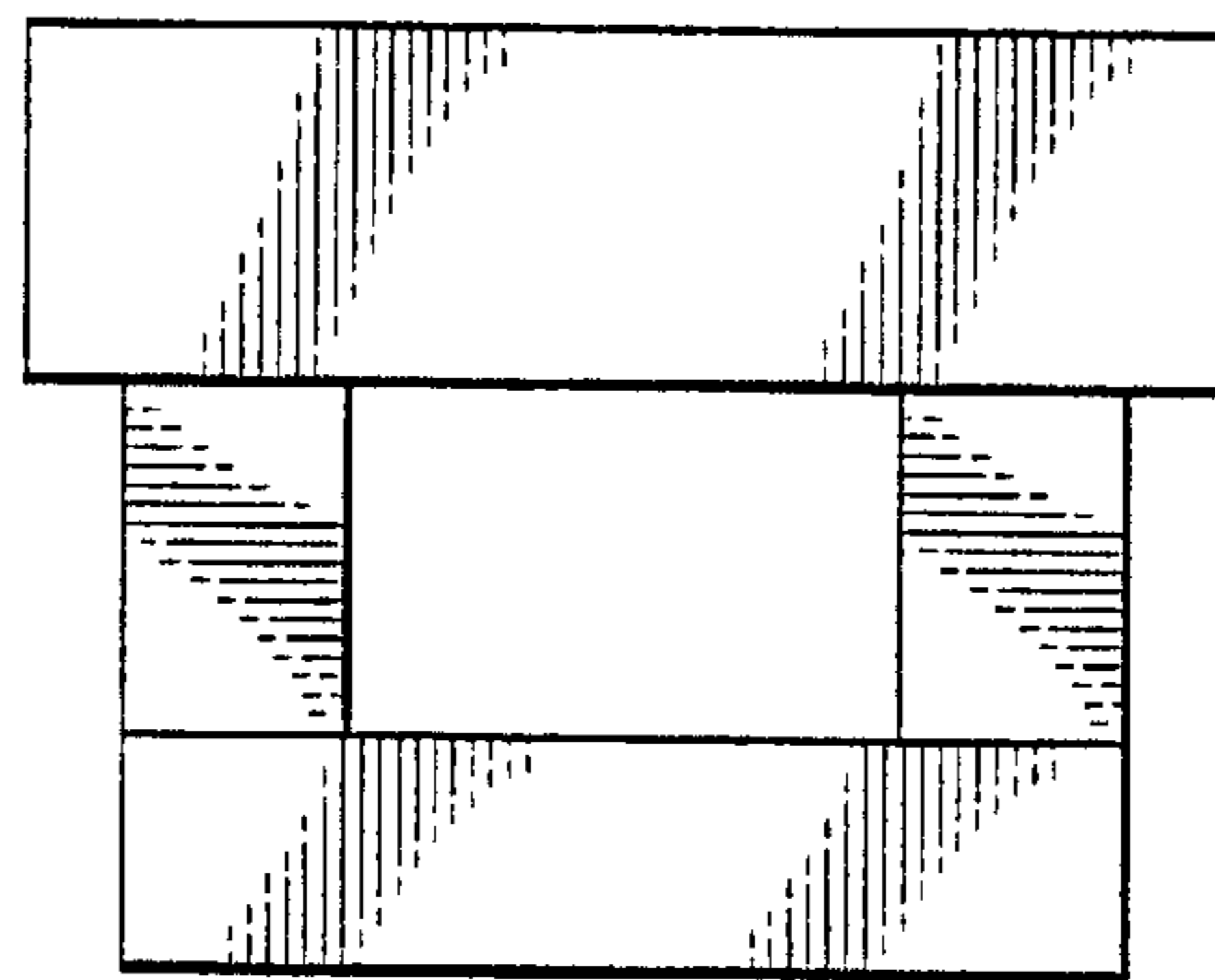


FIG - 7

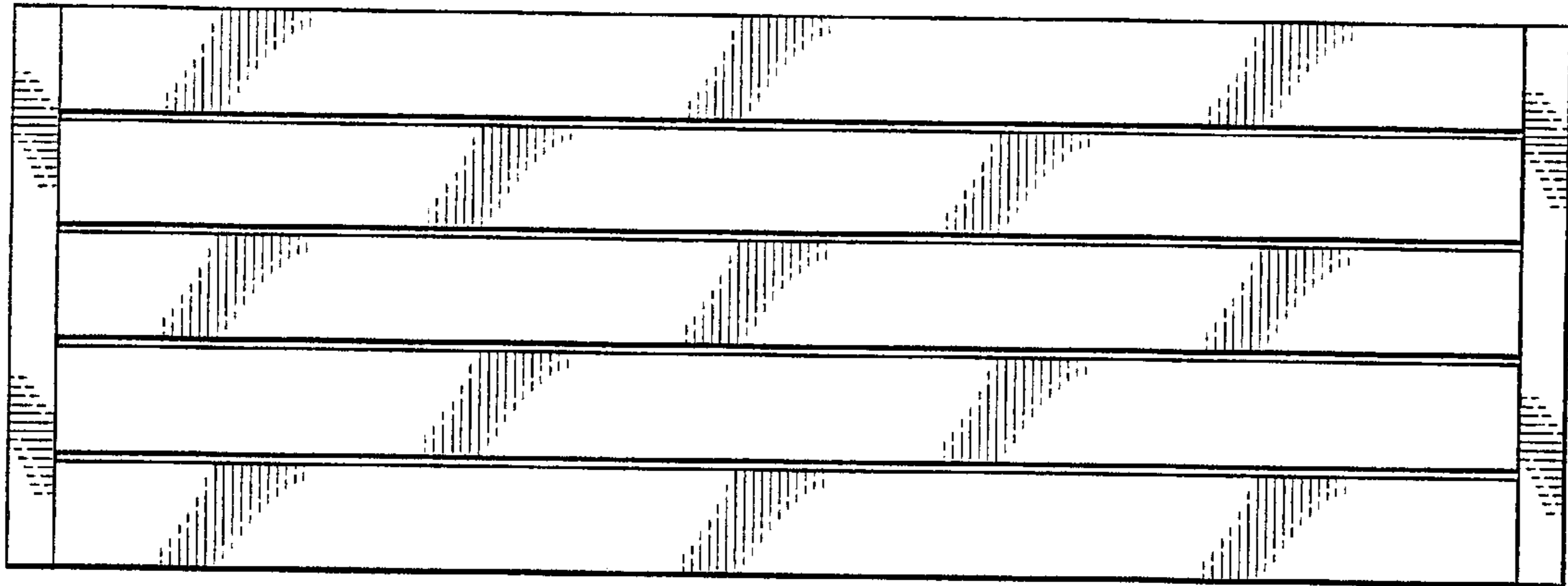


FIG - 8

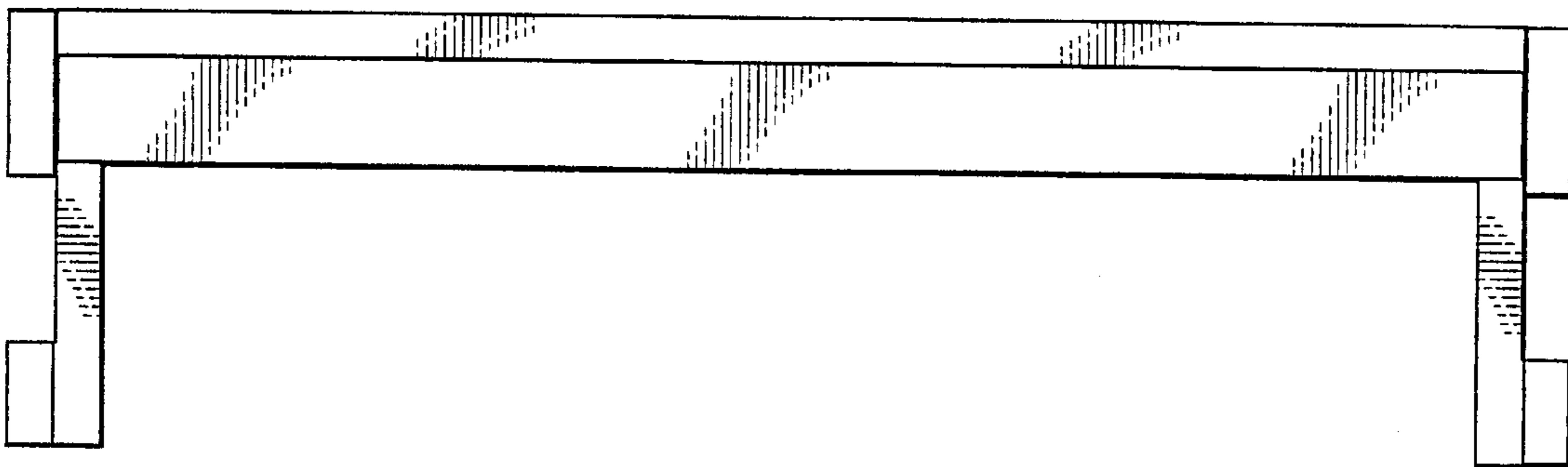


FIG - 9

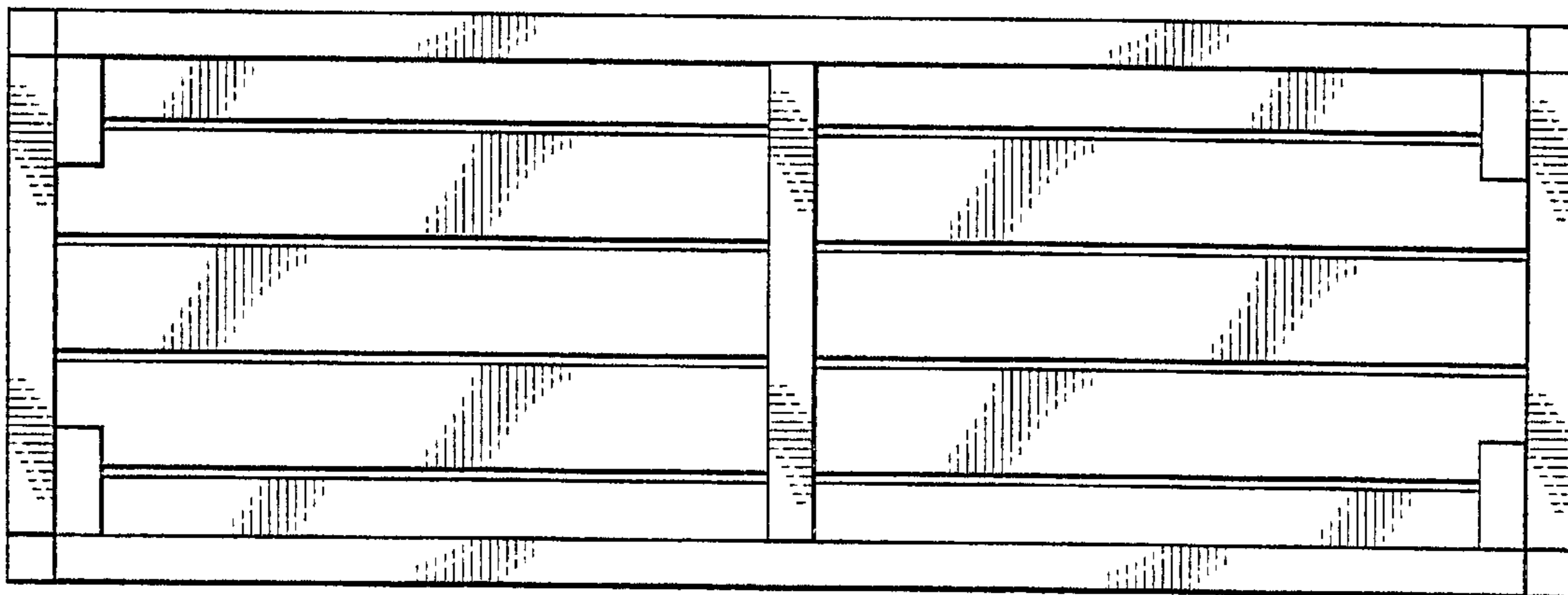


FIG - 10