



US00D516840S

(12) **United States Design Patent**
deCarolis

(10) **Patent No.:** **US D516,840 S**
(45) **Date of Patent:** **** Mar. 14, 2006**

(54) **AUDIO VIDEO SHELVING UNIT**
(75) **Inventor:** **Phil deCarolis**, Northport, NY (US)
(73) **Assignee:** **Bell'O International, L.L.C.**,
Morganville, NJ (US)
(**) **Term:** **14 Years**

D477,292 S 7/2003 Inoue et al.
D483,966 S 12/2003 Forlenza et al.
D485,539 S 1/2004 Goto et al.
D491,753 S * 6/2004 deCarolis D6/479
D496,806 S * 10/2004 Chang D6/477
D497,061 S * 10/2004 Decarolis D6/479
D508,172 S * 8/2005 Malizia D6/477

(21) **Appl. No.:** **29/233,001**
(22) **Filed:** **Jun. 24, 2005**
(51) **LOC (8) Cl.** **06-04**
(52) **U.S. Cl.** **D6/477**
(58) **Field of Classification Search** D6/460,
D6/461, 468, 474, 477-479; 312/7.2, 9.1;
108/59, 91, 92, 96; 211/40, 41.12, 42, 49.1,
211/50, 85.2, 90.04, 187, 190, 119.003, 134.153,
211/87.01, 71.01

See application file for complete search history.

(56) **References Cited**
U.S. PATENT DOCUMENTS

D236,054 S 7/1975 Ginat
D371,259 S 7/1996 Herbst
5,584,595 A 12/1996 Gantitano et al.
D378,175 S 2/1997 Hamami
D402,486 S 12/1998 Wada et al.
D405,630 S 2/1999 Wohlford
D441,217 S 5/2001 Pepin et al.
D451,307 S 12/2001 Dong
D467,099 S 12/2002 Antonioni
D472,073 S 3/2003 de Carolis
D472,074 S 3/2003 de Carolis
D472,075 S 3/2003 de Carolis
D477,159 S 7/2003 Niitsu

OTHER PUBLICATIONS

Bell'O 2002 International Catalog, selected pages.

* cited by examiner

Primary Examiner—Cathron C. Brooks
(74) *Attorney, Agent, or Firm*—Lerner, David, Littenberg,
Krumholz & Mentlik, LLP

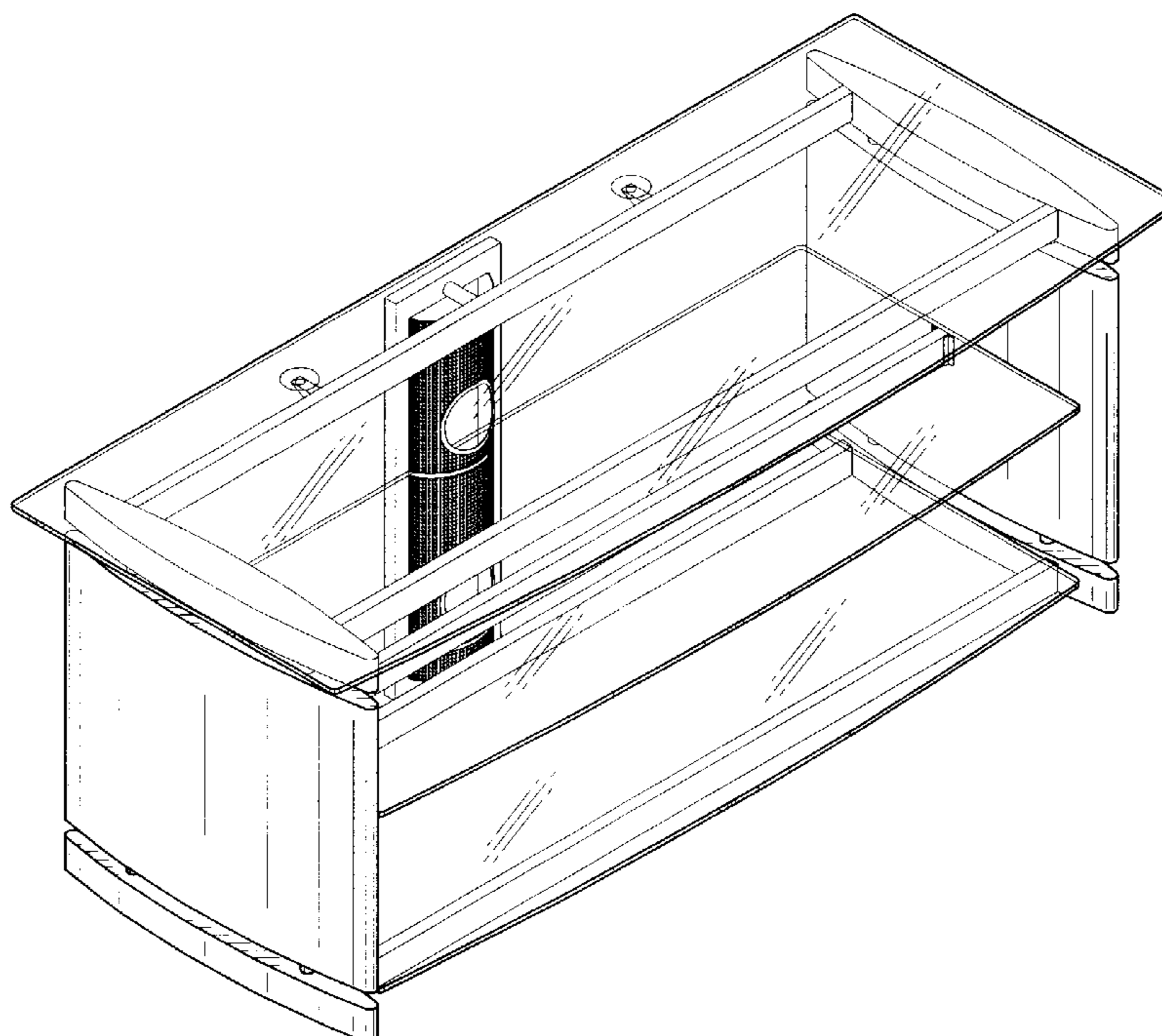
(57) **CLAIM**

The ornamental design for audio video shelving unit, as shown and described.

DESCRIPTION

FIG. 1 is a top perspective view of a first embodiment of the subject audio video shelving unit;
FIG. 2 is a front plan view thereof;
FIG. 3 is a rear view thereof;
FIG. 4 is a right side view thereof (the left side being a mirror image of the right side view);
FIG. 5 is a top plan view thereof;
FIG. 6 is a perspective view of a second embodiment of the subject audio video system; and,
FIG. 7 is a top plan view of the embodiment shown in FIG. 6 (all other views of the second embodiment having the same appearance as FIGS. 2, 3 and 4).

1 Claim, 7 Drawing Sheets



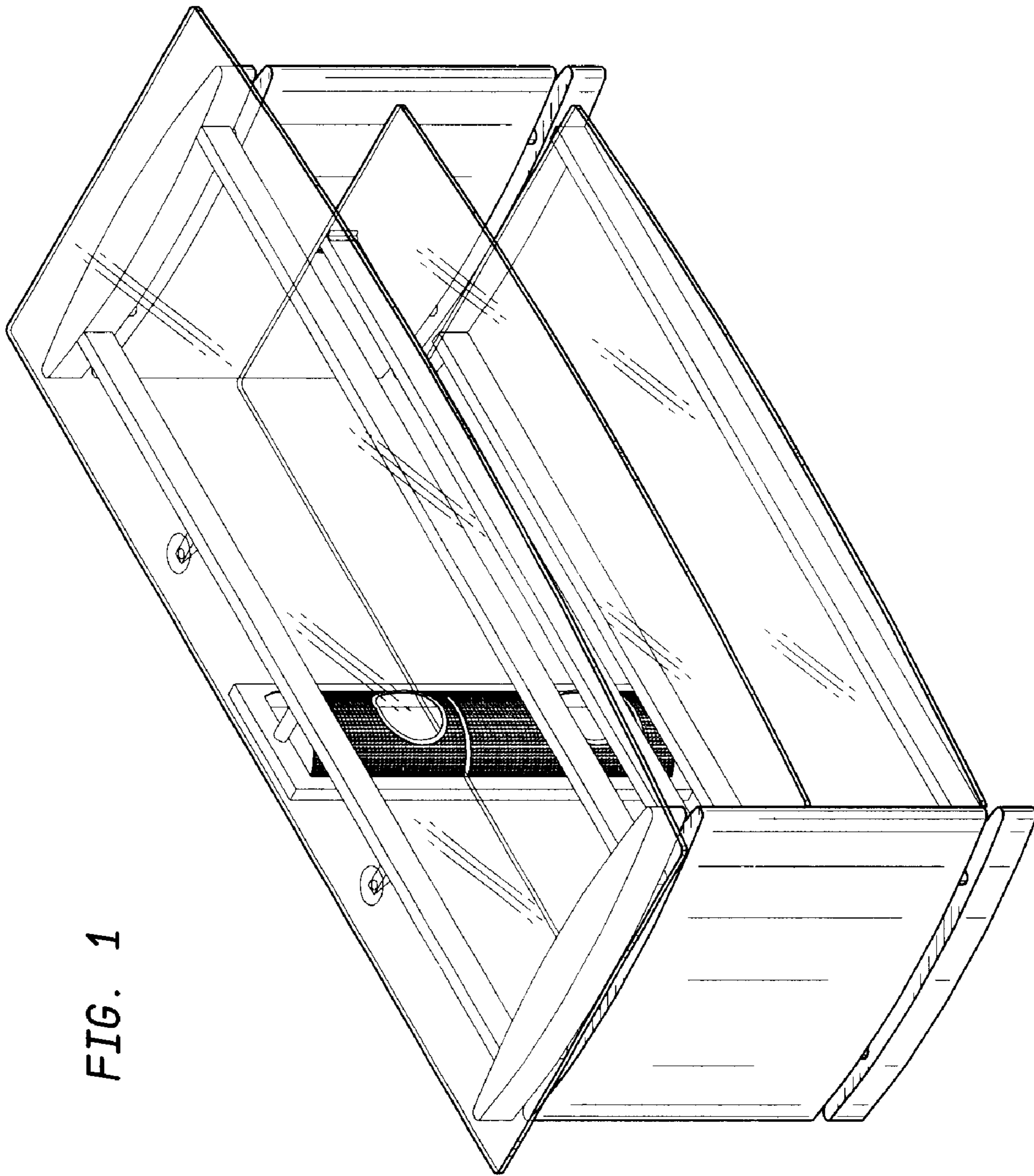


FIG. 1

FIG. 2

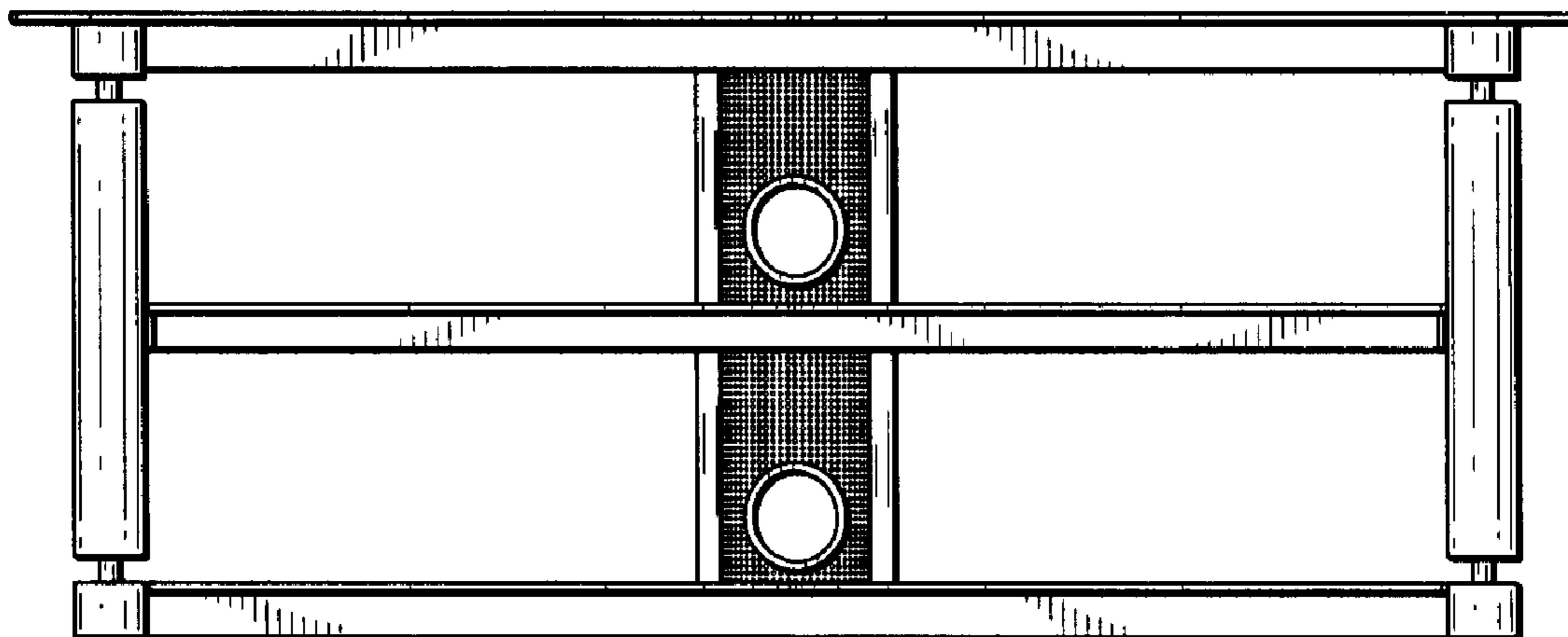


FIG. 3

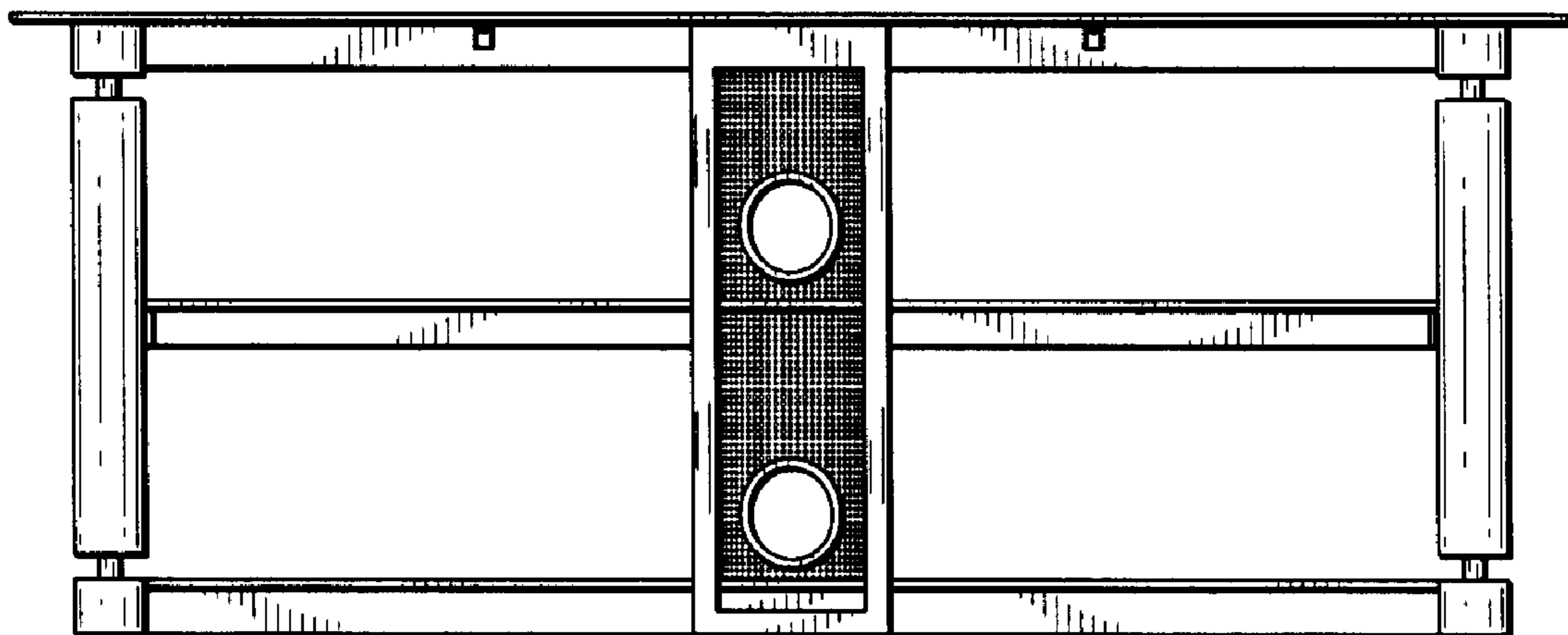


FIG. 4

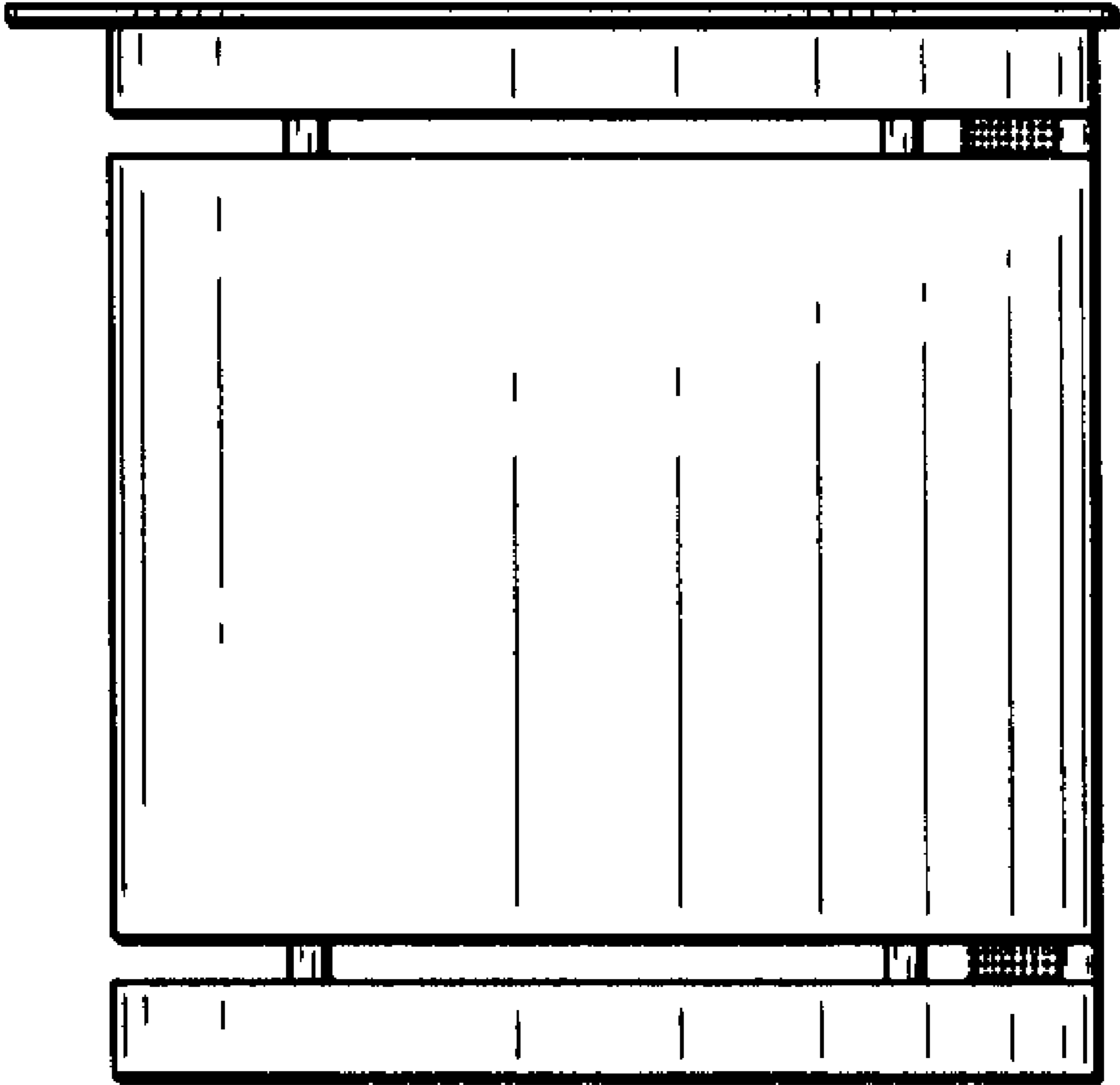


FIG. 5

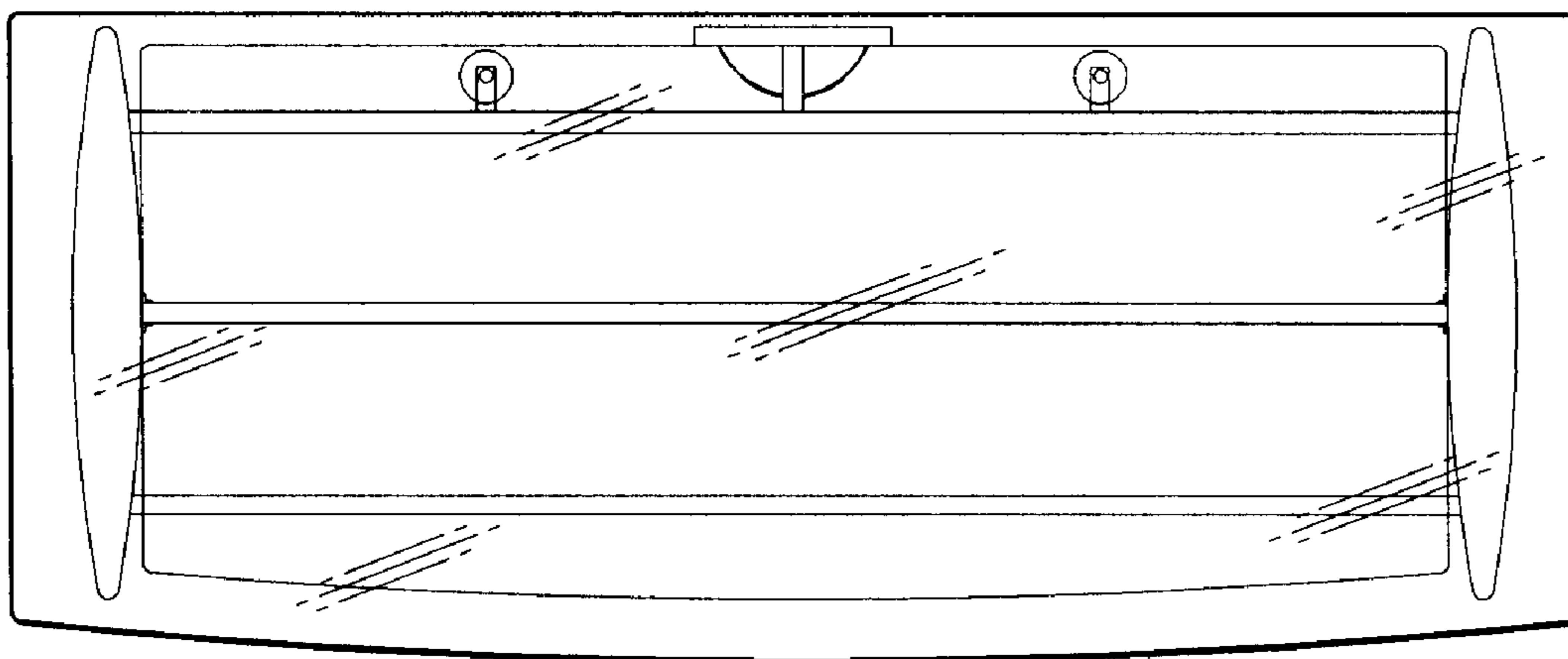


FIG. 6

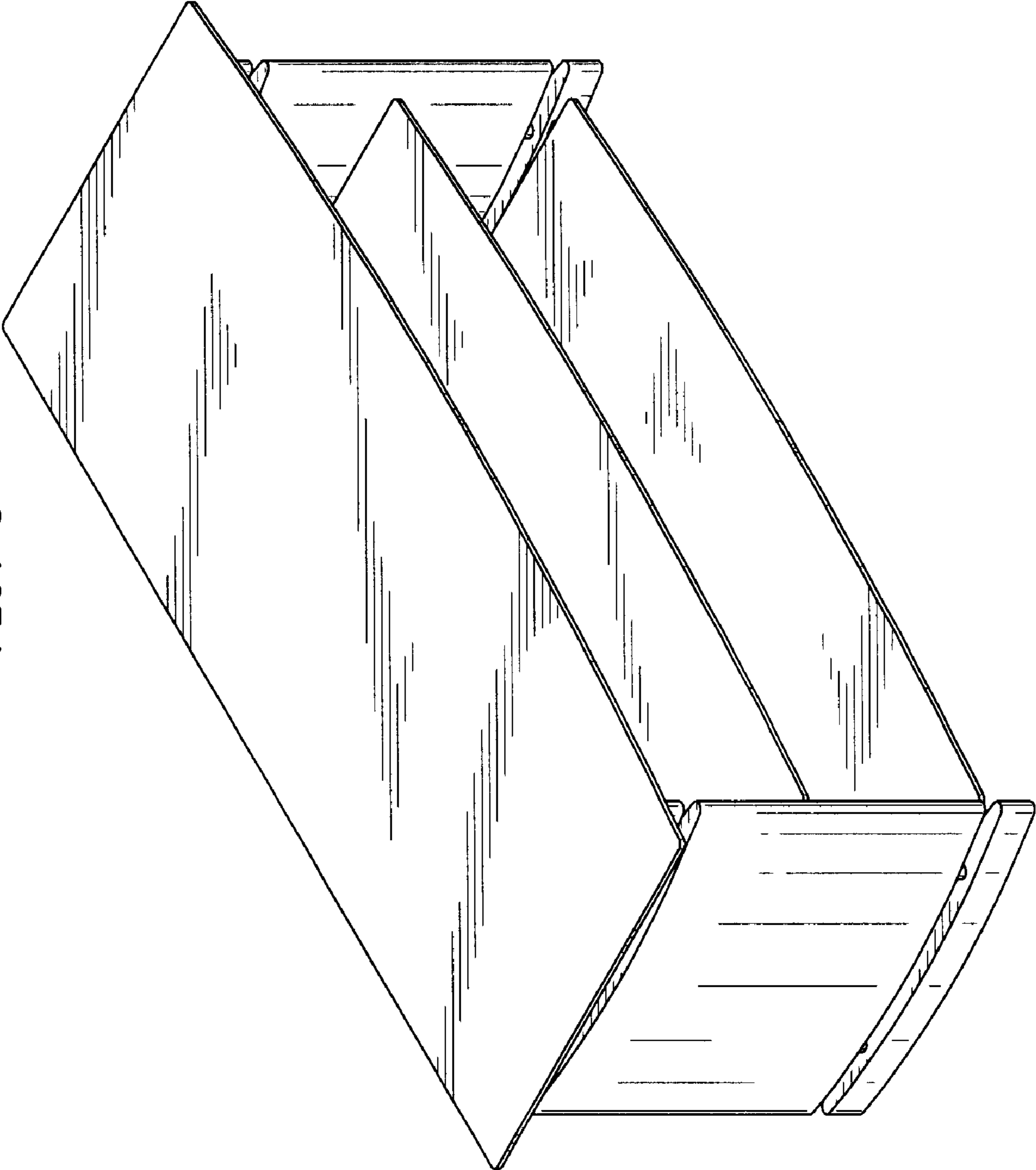


FIG. 7

