



US00D516835S

(12) **United States Design Patent**
Netto et al.

(10) **Patent No.:** **US D516,835 S**
(45) **Date of Patent:** **** Mar. 14, 2006**

(54) **WARDROBE**

D441,988 S 5/2001 Hutton
D446,408 S * 8/2001 Mathieu et al. D6/446
D461,653 S * 8/2002 Brinkmann D6/446

(75) Inventors: **David Netto**, New York, NY (US);
William A. McClave, New York, NY (US)

* cited by examiner

(73) Assignee: **NettoCollection LLC**, New York, NY (US)

Primary Examiner—Cathron C. Brooks
(74) *Attorney, Agent, or Firm*—White, Redway & Brown LLP

(**) **Term:** **14 Years**

(57) **CLAIM**

(21) **Appl. No.:** **29/222,911**

The ornamental design for a wardrobe, as shown and described.

(22) **Filed:** **Feb. 7, 2005**

DESCRIPTION

(51) **LOC (8) Cl.** **06-04**
(52) **U.S. Cl.** **D6/446**
(58) **Field of Classification Search** D6/434,
D6/436–447, 470; 312/114, 204, 224, 227
See application file for complete search history.

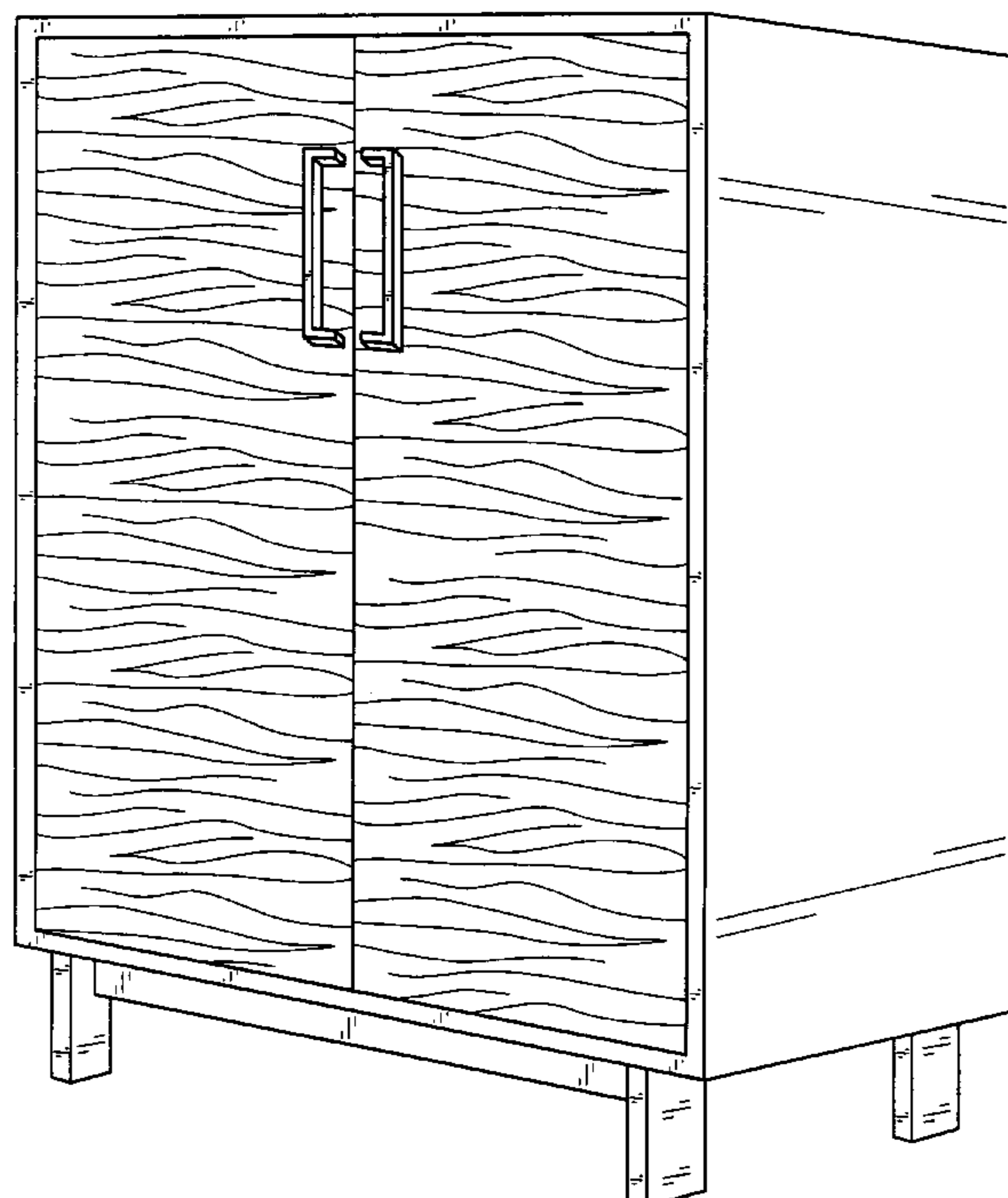
FIG. 1 is a perspective view of a wardrobe according to an embodiment of the present invention;
FIG. 2 is a front view of the wardrobe according to an embodiment of the present invention;
FIG. 3 is a rear view of the wardrobe according to an embodiment of the present invention;
FIG. 4 is a right-side view of the wardrobe according to an embodiment of the present invention;
FIG. 5 is a left-side view of the wardrobe according to an embodiment of the present invention;
FIG. 6 is a top view of the wardrobe according to an embodiment of the present invention;
FIG. 7 is a bottom view of the wardrobe according to an embodiment of the present invention;
FIG. 8 is a front view of a wardrobe shown with its front doors open according to an embodiment of the present invention; and,
FIG. 9 is a perspective view of a wardrobe shown with its front doors open according to an embodiment of the present invention.

(56) **References Cited**

U.S. PATENT DOCUMENTS

D240,986 S * 8/1976 Young D6/446
D242,968 S * 1/1977 Gulick D6/446
D248,435 S * 7/1978 Densen D6/446
D277,150 S * 1/1985 Tebbe et al. D6/446
D283,184 S 4/1986 Saporiti
D306,665 S * 3/1990 Wright D6/440
D334,674 S 4/1993 Wheelless et al.
D360,088 S 7/1995 Walters, III et al.
D397,262 S * 8/1998 Thomas D6/446
D401,783 S 12/1998 Schubert
D402,825 S 12/1998 Zaidman
D405,983 S 2/1999 Zaidman
D432,281 S * 10/2000 LaZar et al. D32/6
D439,441 S * 3/2001 Mathieu et al. D6/446

1 Claim, 9 Drawing Sheets



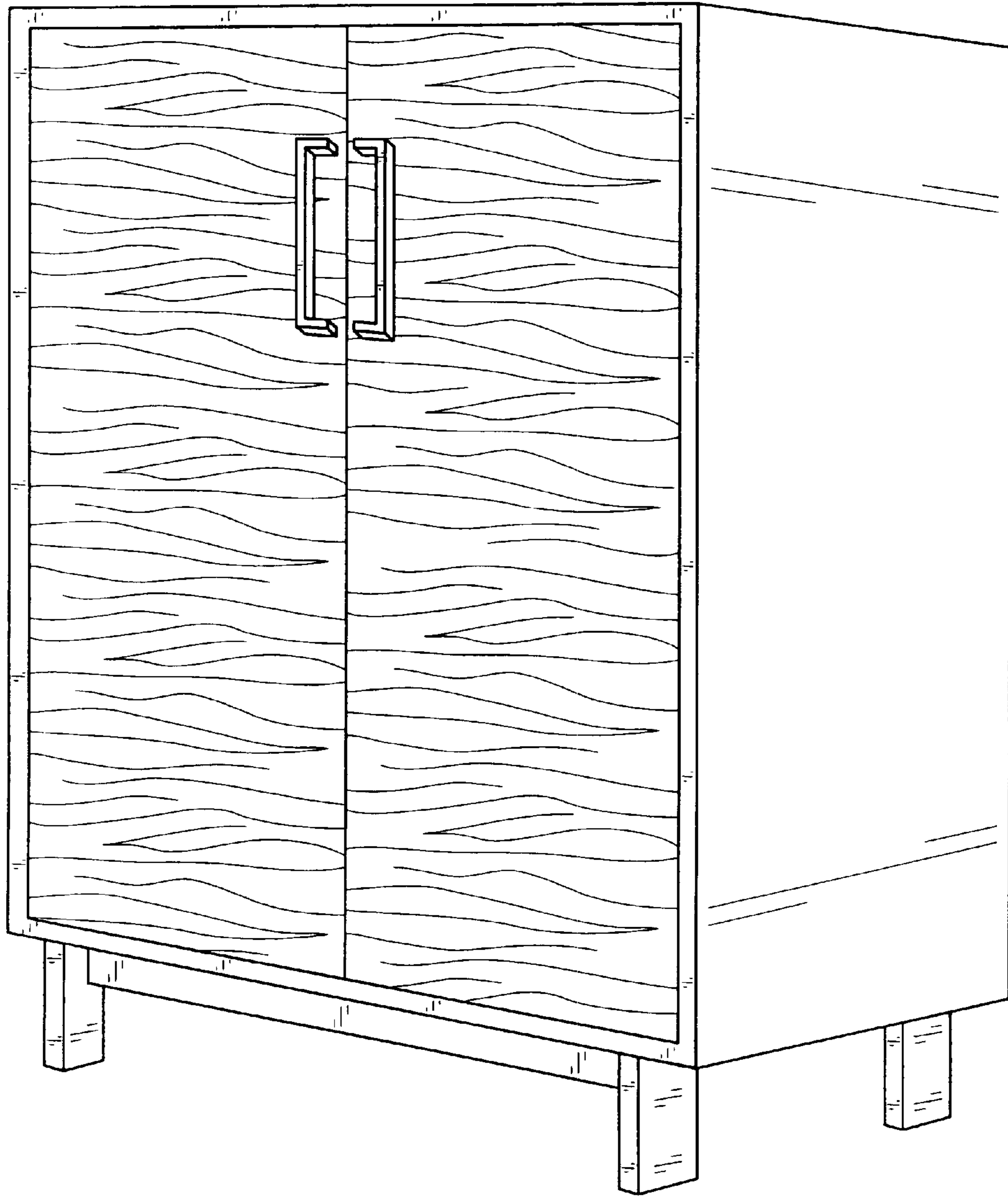


FIG. 1

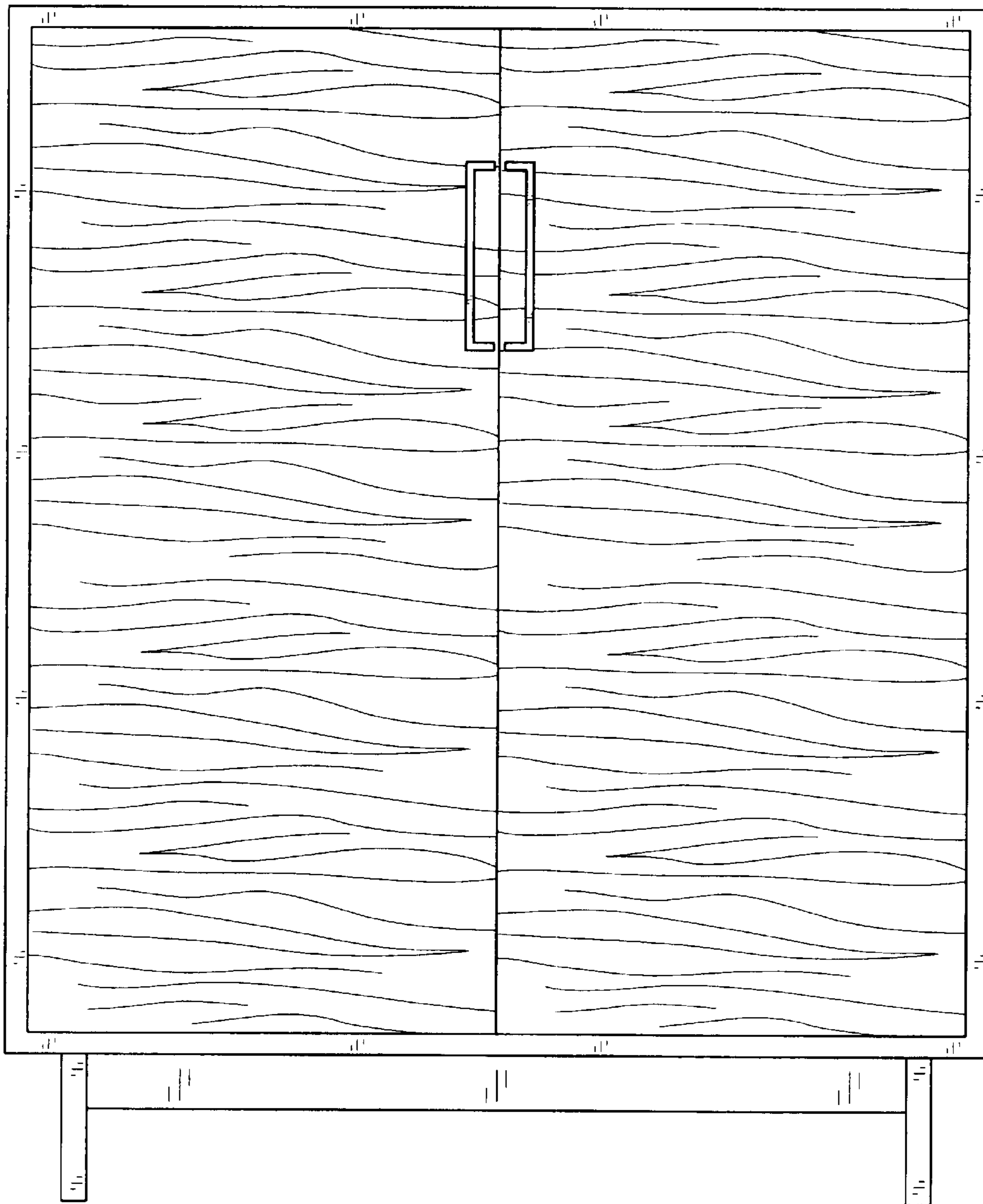


FIG. 2

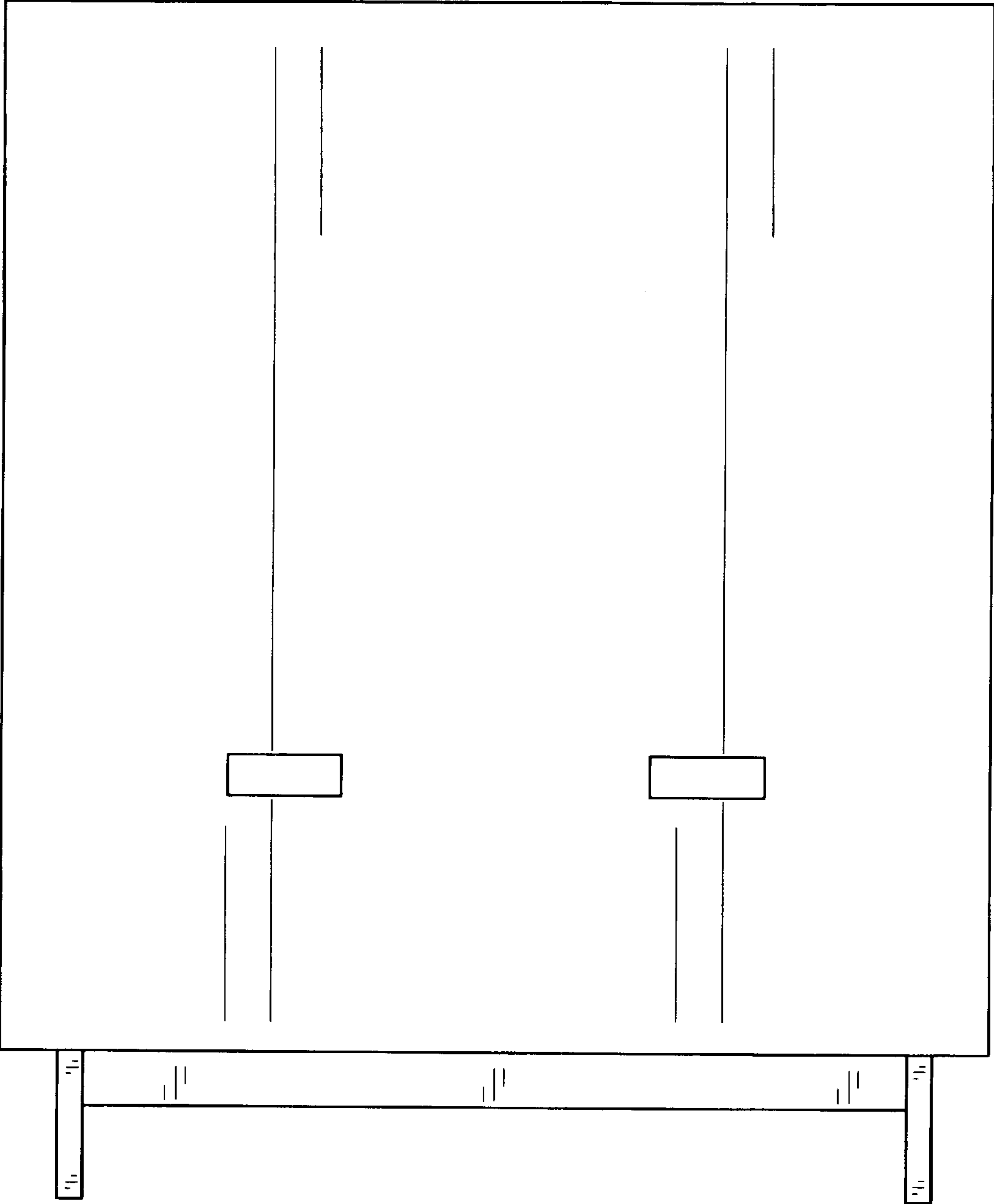


FIG. 3

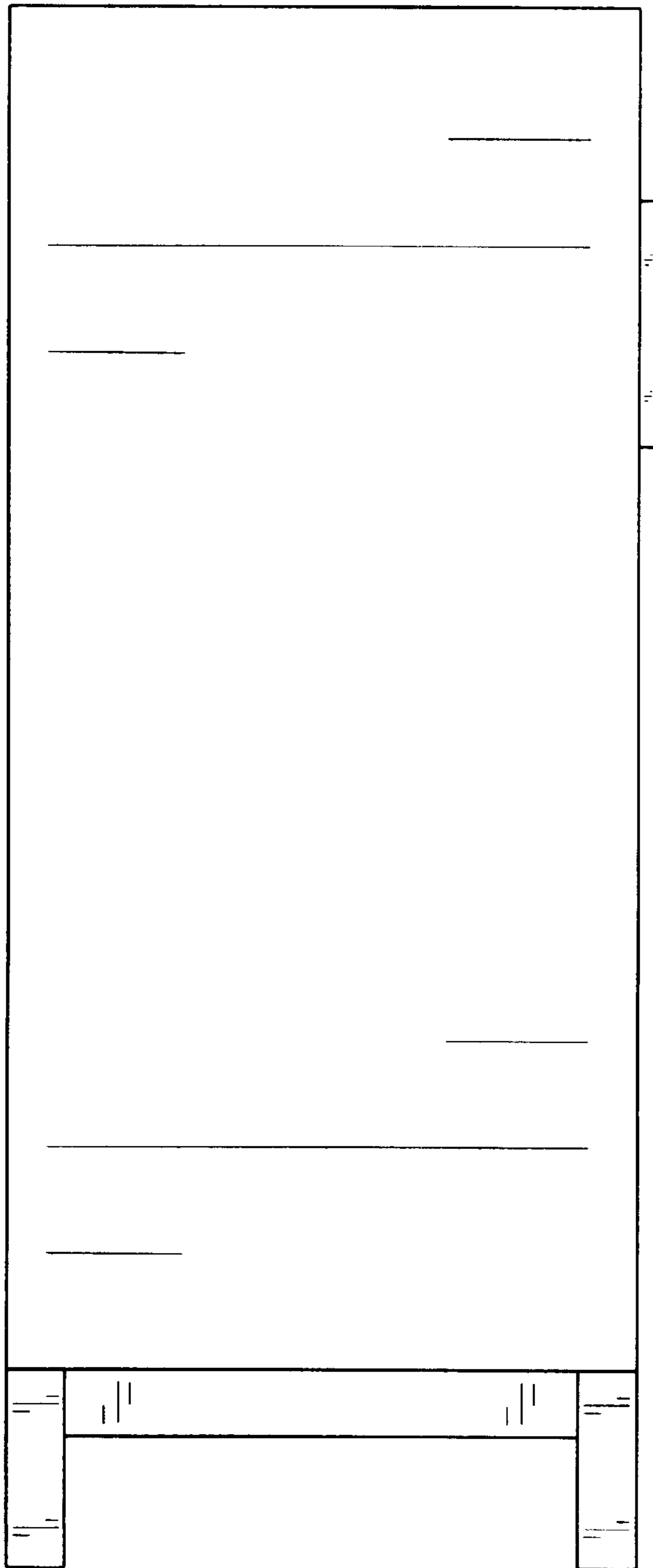


FIG. 4

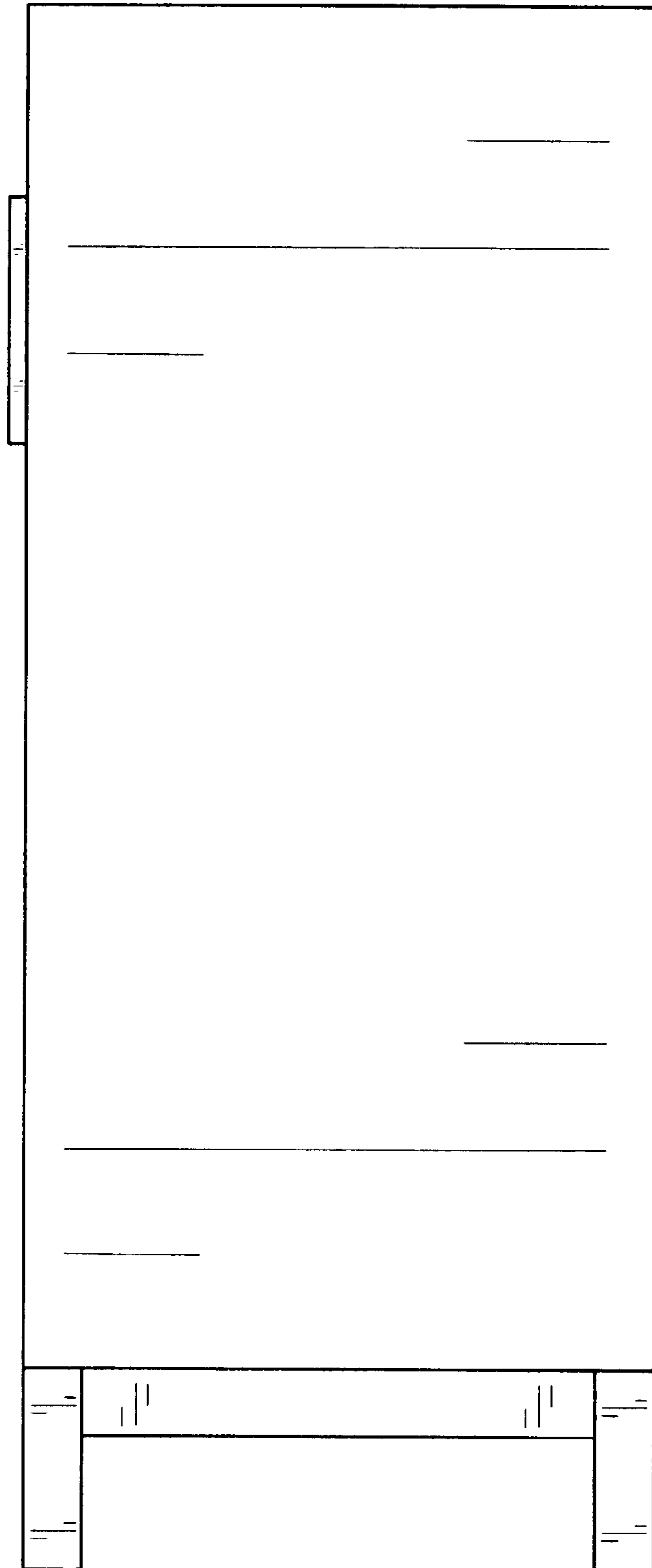


FIG. 5

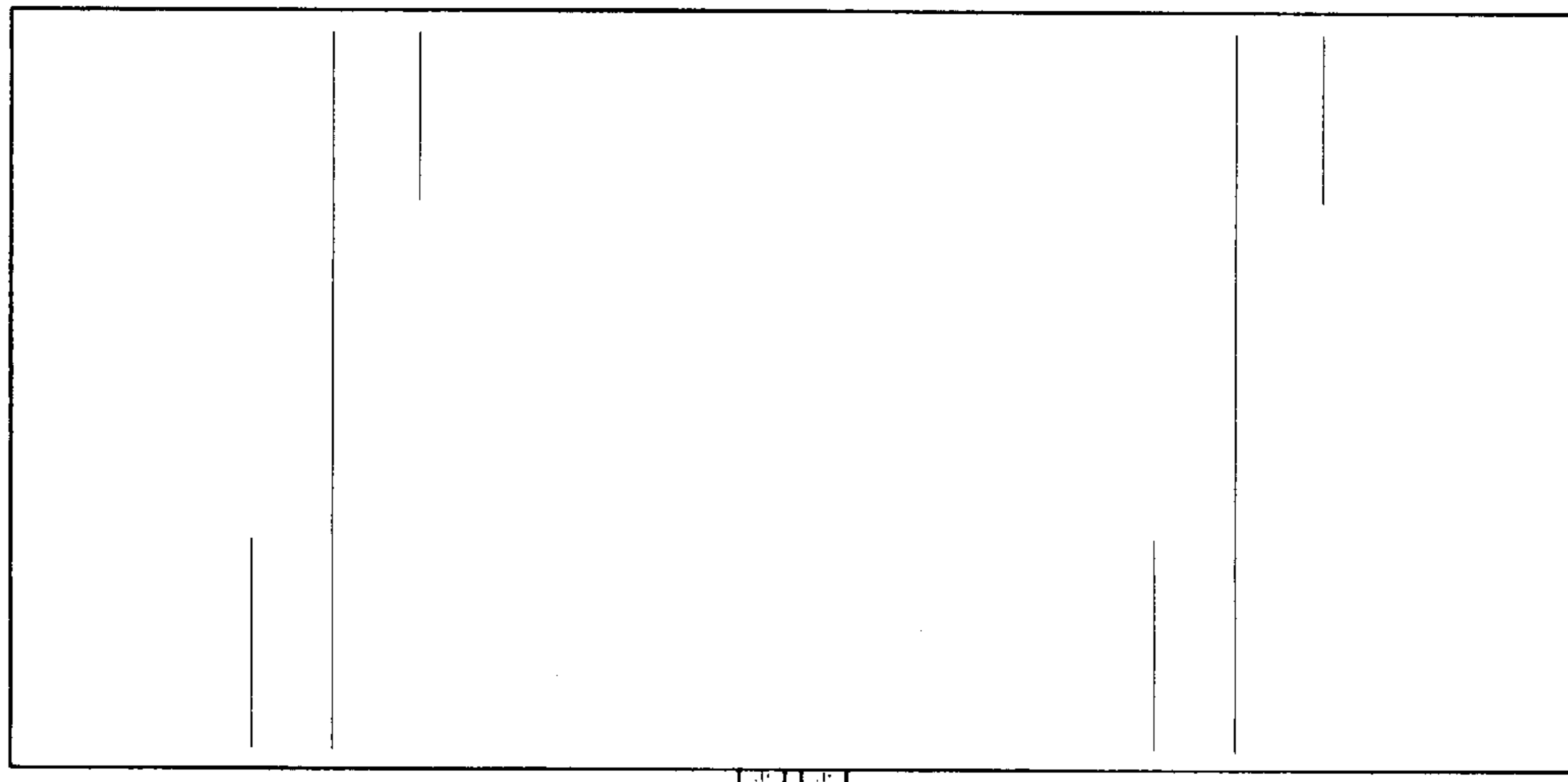


FIG. 6

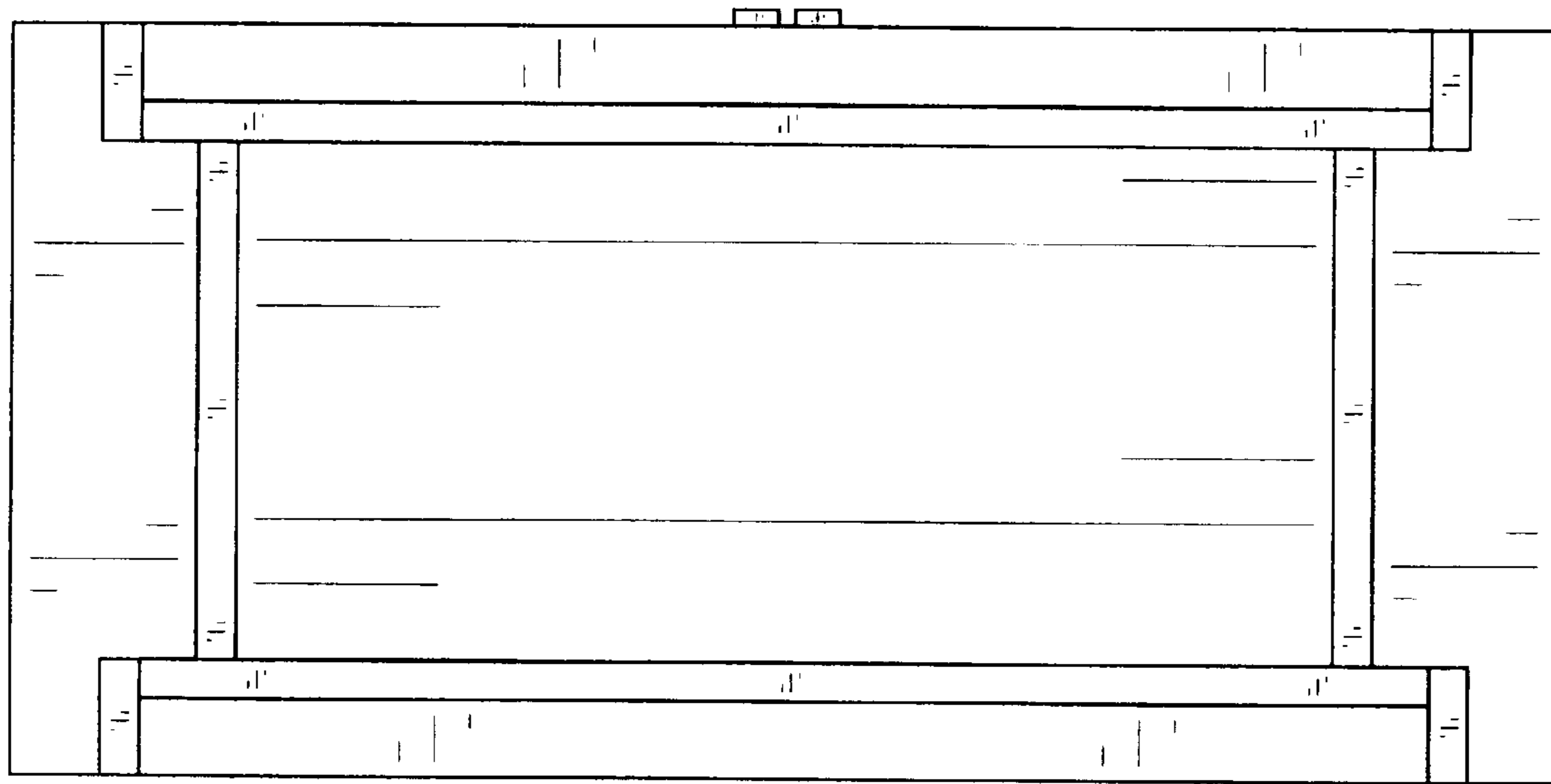


FIG. 7

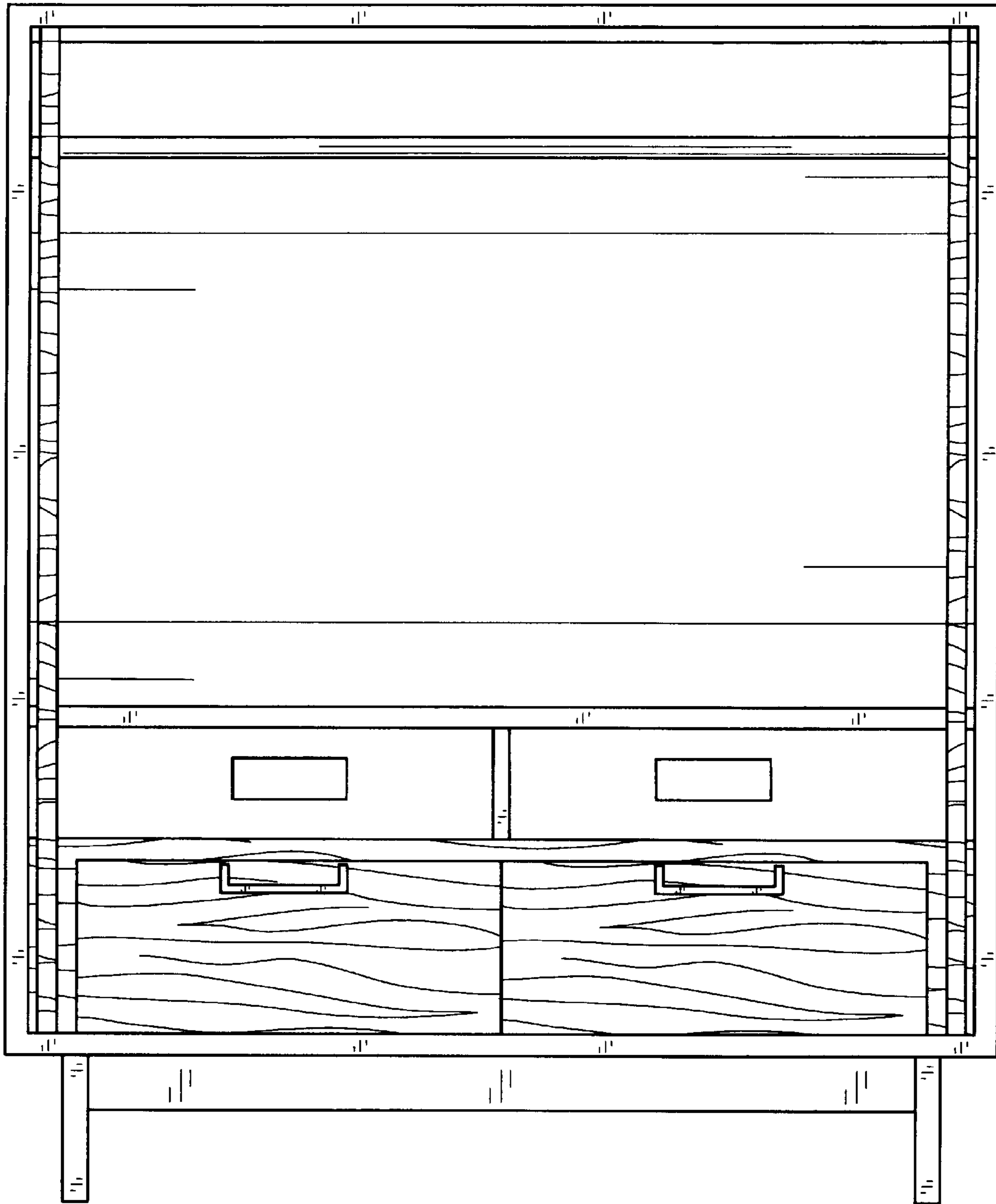


FIG. 8

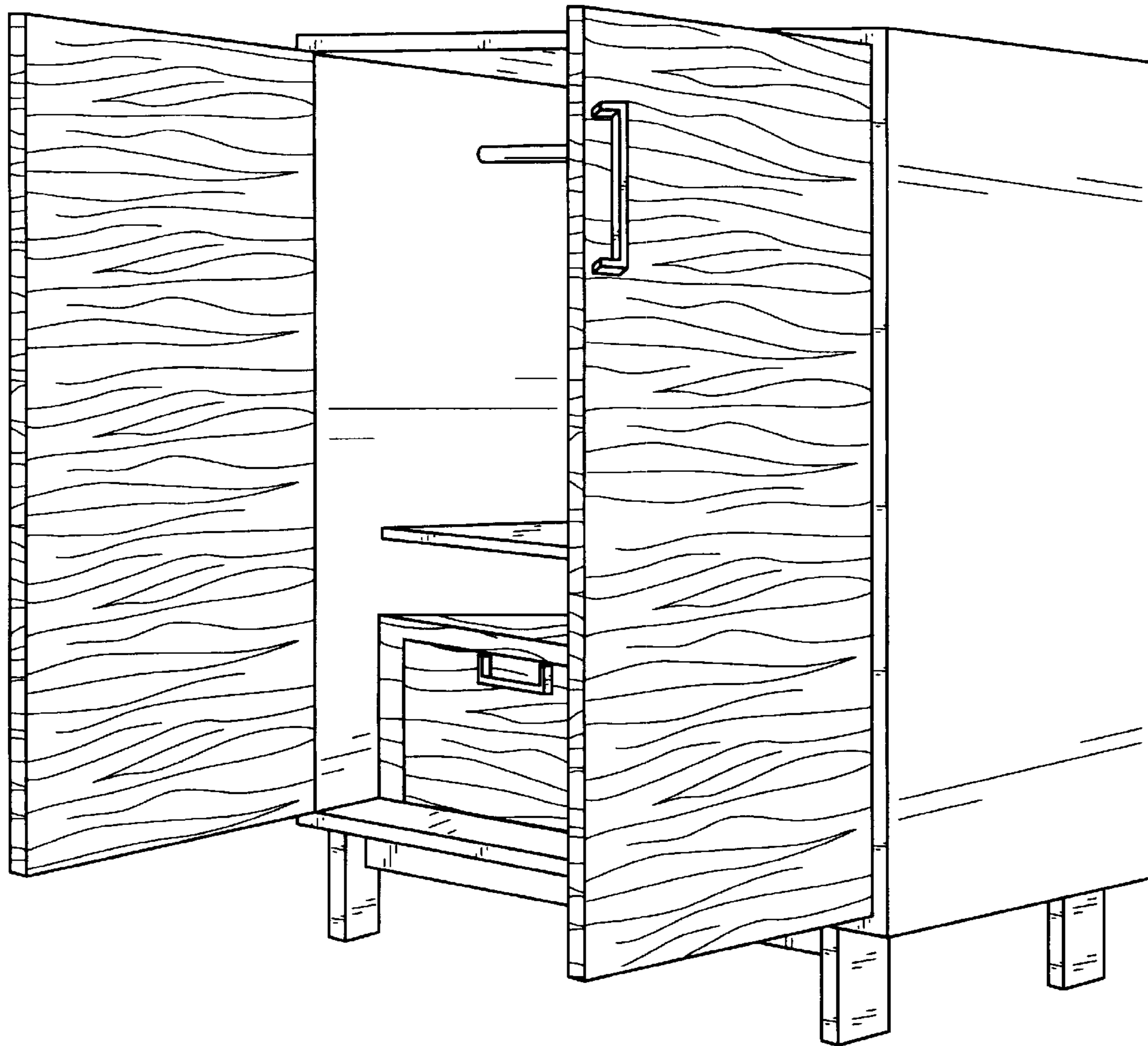


FIG. 9