



US00D516829S

(12) **United States Design Patent**
Mohundro

(10) **Patent No.:** **US D516,829 S**
(45) **Date of Patent:** **** Mar. 14, 2006**

(54) **LIVING ROOM CHAIR**

(76) **Inventor:** **James Glenn Mohundro**, 3F-4 No.
161, Kung-I Road., Taichung City (TW)

(**) **Term:** **14 Years**

(21) **Appl. No.:** **29/229,571**

(22) **Filed:** **May 10, 2005**

(51) **LOC (8) Cl.** **06-01**

(52) **U.S. Cl.** **D6/370; D6/379; D6/380**

(58) **Field of Classification Search** **D6/334,**
D6/335, 369, 370, 374, 375, 379, 380, 381,
D6/500-502; 297/445.1, 446.1, 452.63
See application file for complete search history.

(56) **References Cited**

U.S. PATENT DOCUMENTS

D74,384 S	*	2/1928	Nahon	D6/379
D86,290 S	*	2/1932	Vander Ley	D6/379
D94,779 S	*	3/1935	Raventos	D6/379
D105,011 S	*	6/1937	Hines et al.	D6/381
D177,072 S	*	3/1956	Smillow	D6/379
D183,887 S	*	11/1958	Jensen	D6/370
D251,880 S	*	5/1979	Beall	D6/381
D264,901 S	*	6/1982	Friedman	D6/381
D369,919 S	*	5/1996	Lenger	D6/370

D395,174 S	*	6/1998	Diaz-Azcuy	D6/369
D421,853 S	*	3/2000	Black	D6/369
D443,770 S	*	6/2001	Corella	D6/381
D447,883 S	*	9/2001	Meier et al.	D6/334
D453,426 S	*	2/2002	Juhasz	D6/379
D455,023 S	*	4/2002	Lee	D6/381
D459,904 S	*	7/2002	Hutton	D6/370
D499,572 S	*	12/2004	Mohundro	D6/381
D503,293 S	*	3/2005	Schmitt	D6/379

* cited by examiner

Primary Examiner—Mimosa De

(74) *Attorney, Agent, or Firm*—Bacon & Thomas PLLC

(57) **CLAIM**

The ornamental design for a living room chair, as shown and described.

DESCRIPTION

FIG. 1 is a perspective view of a living room chair, showing my new design;

FIG. 2 is a reduced front elevational view thereof;

FIG. 3 is a reduced rear elevational view thereof;

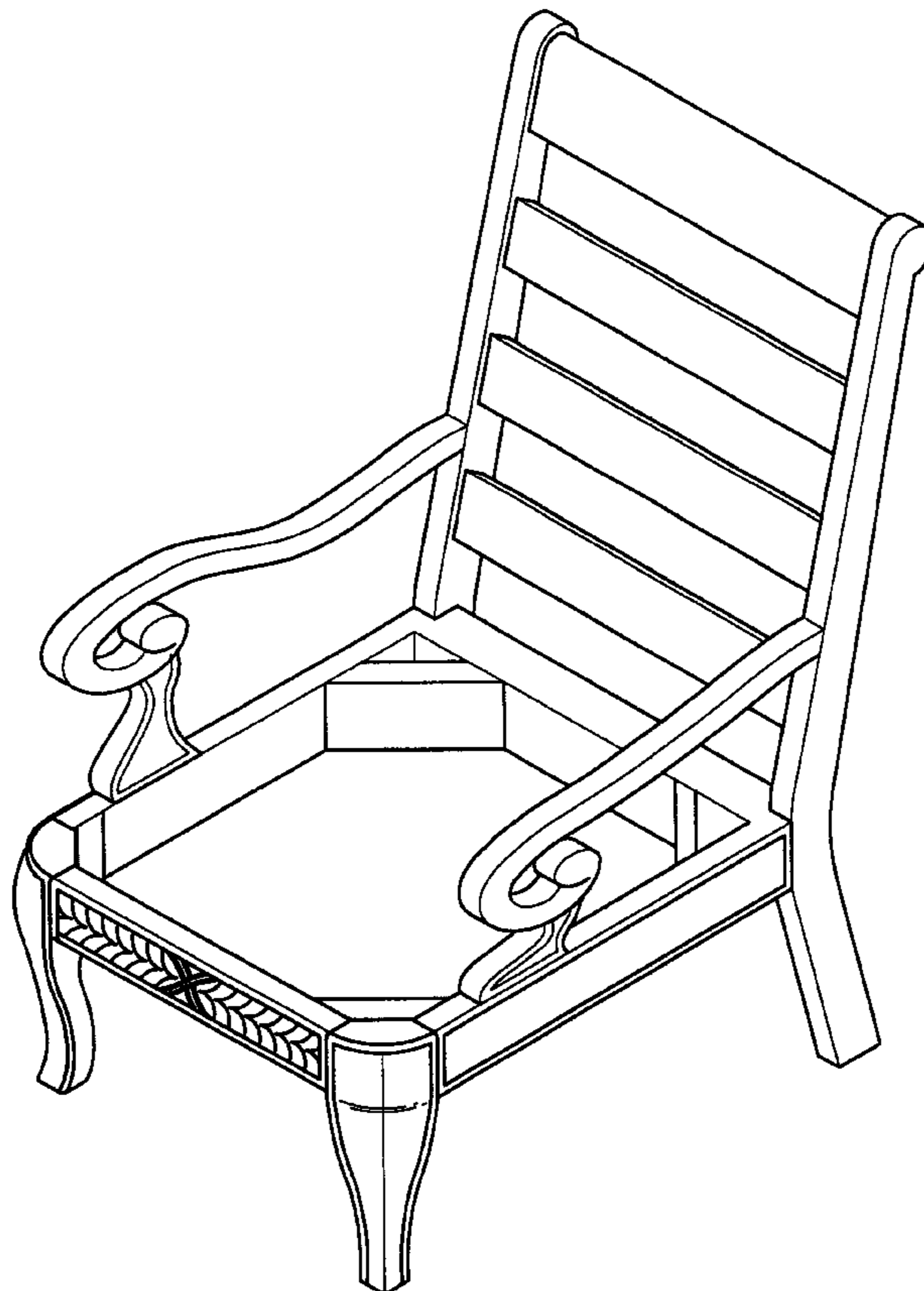
FIG. 4 is a reduced left elevational view thereof; and

FIG. 5 is a reduced right elevational view thereof;

FIG. 6 is a reduced top plan view thereof; and,

FIG. 7 is a reduced bottom plan view thereof.

1 Claim, 7 Drawing Sheets



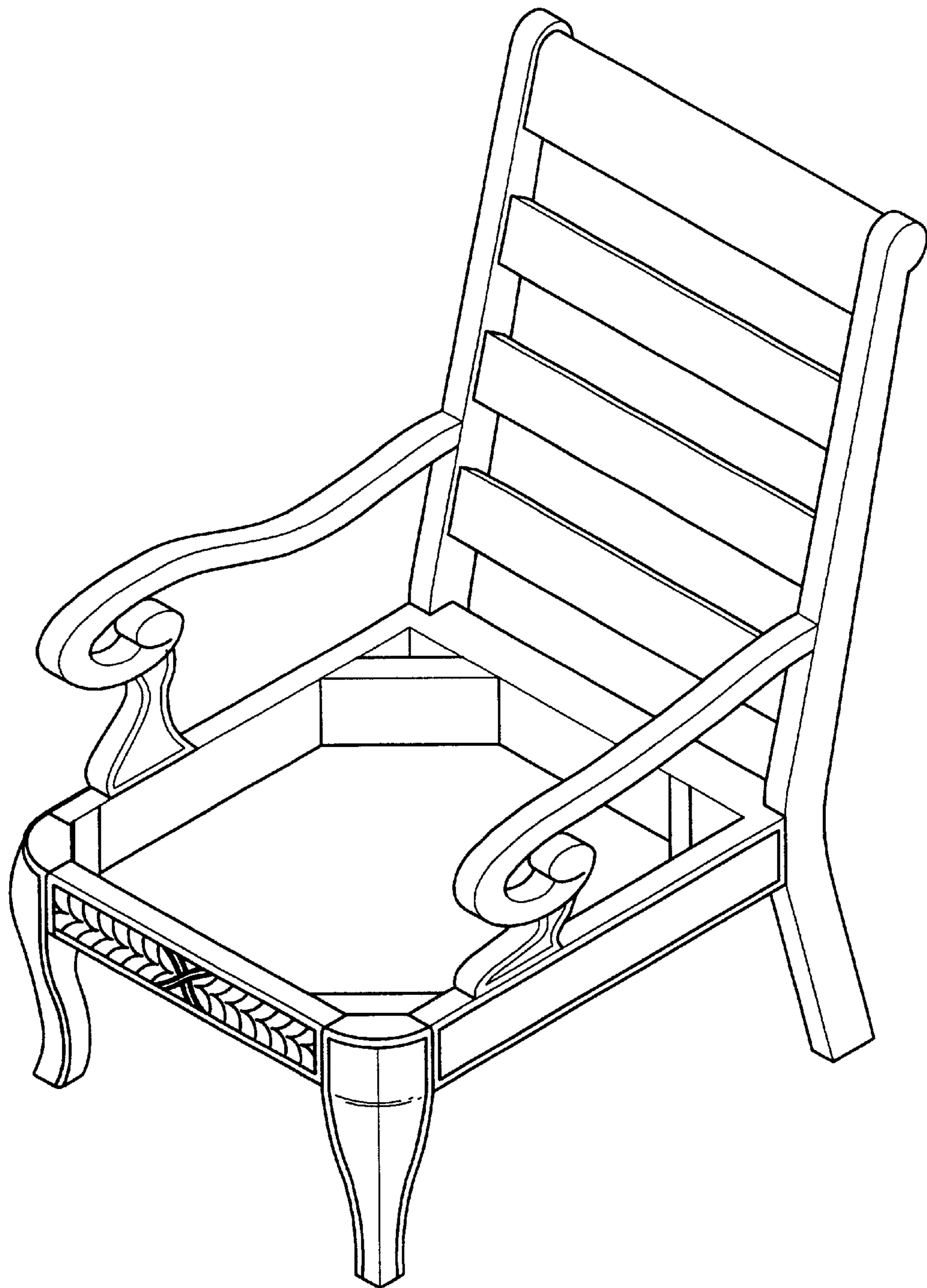


FIG. 1

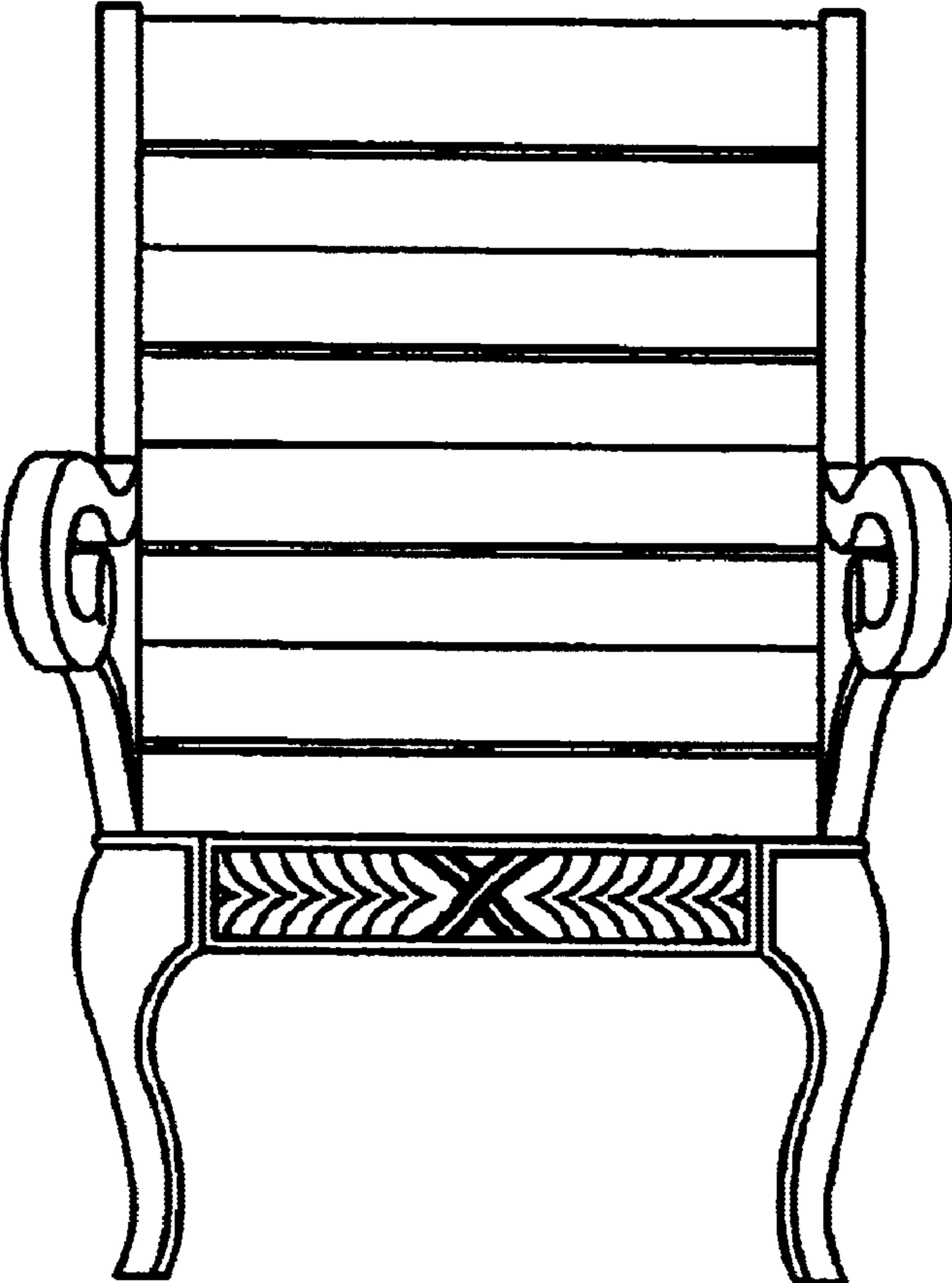


FIG.2

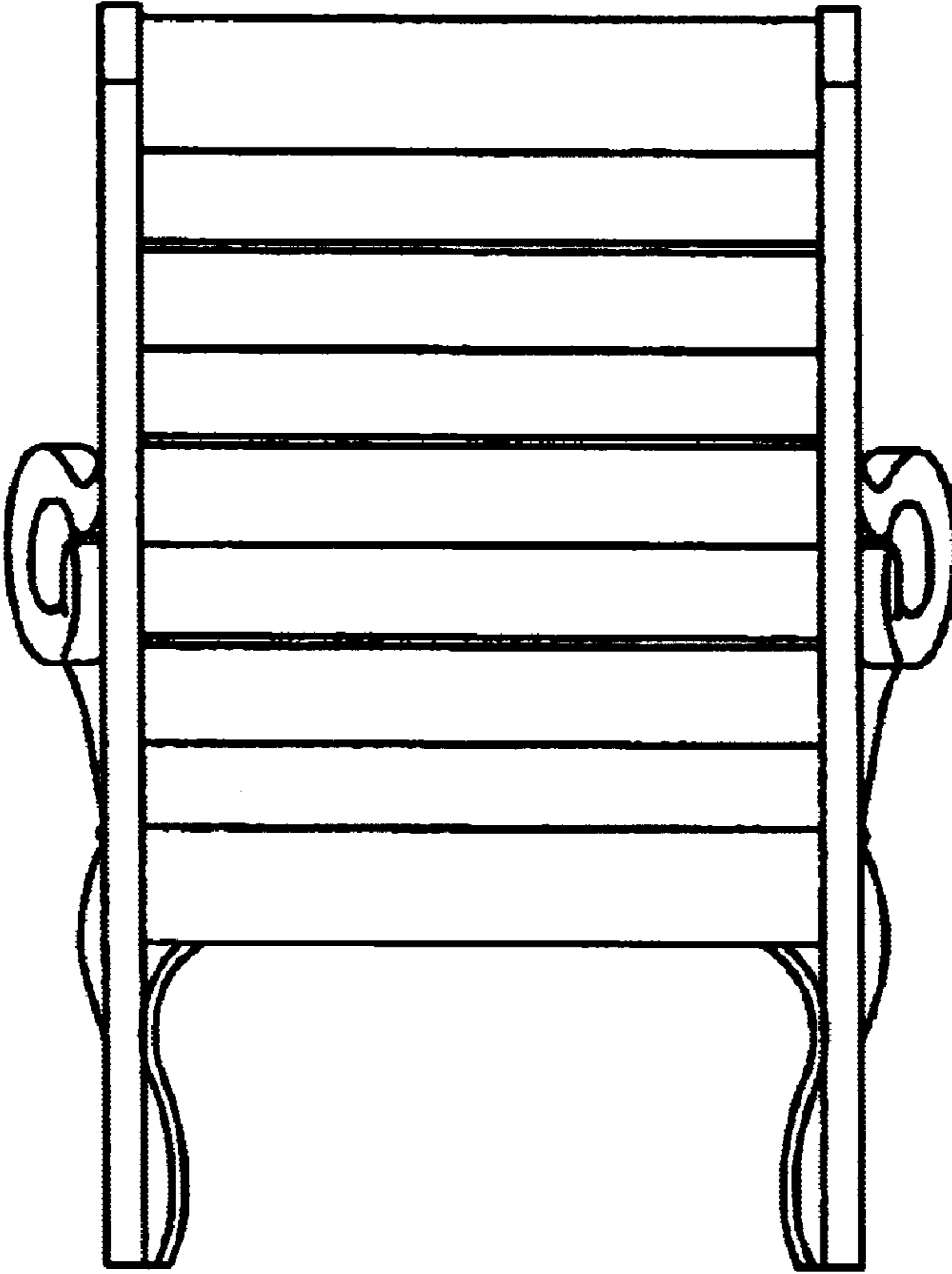


FIG.3

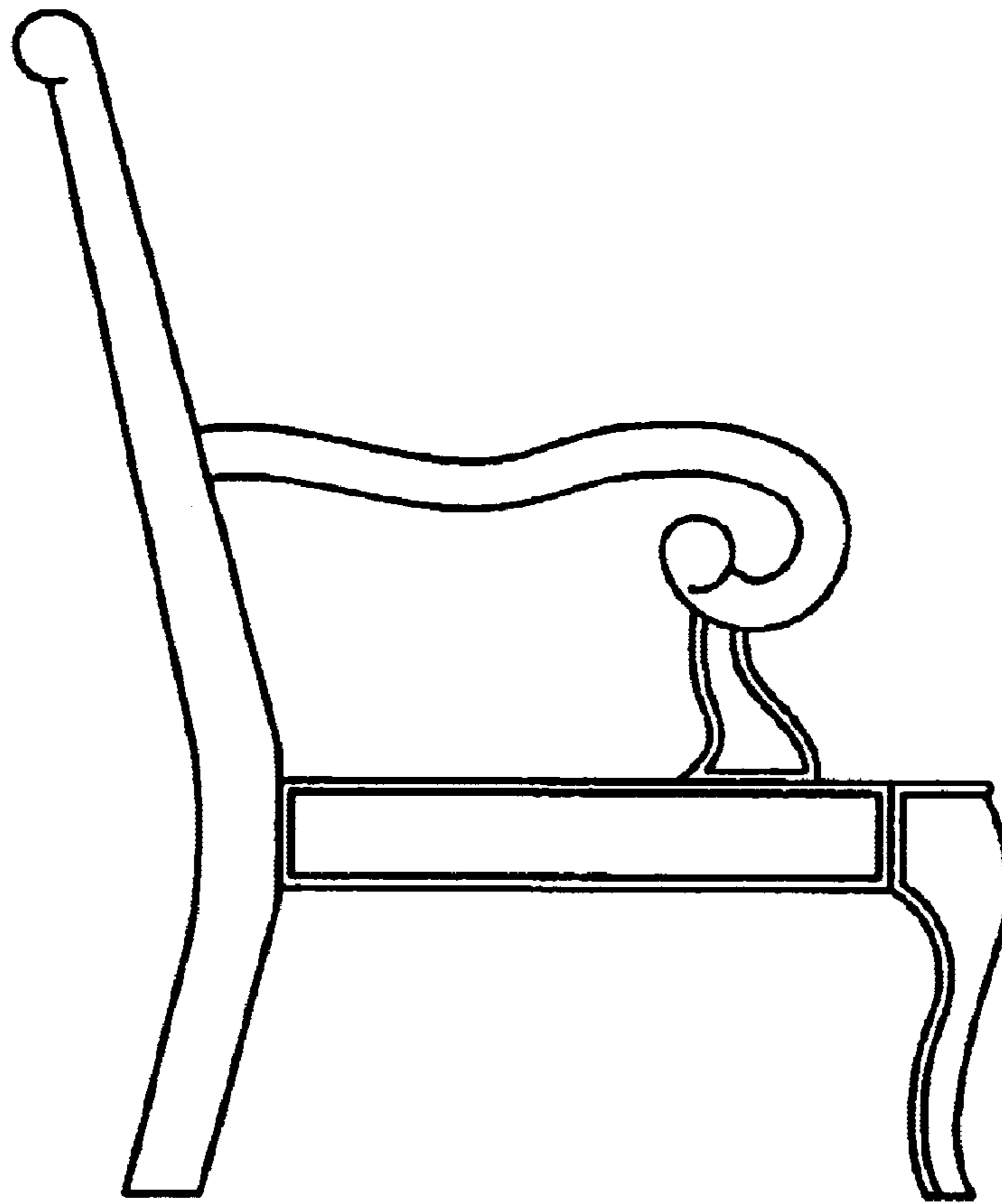


FIG.4

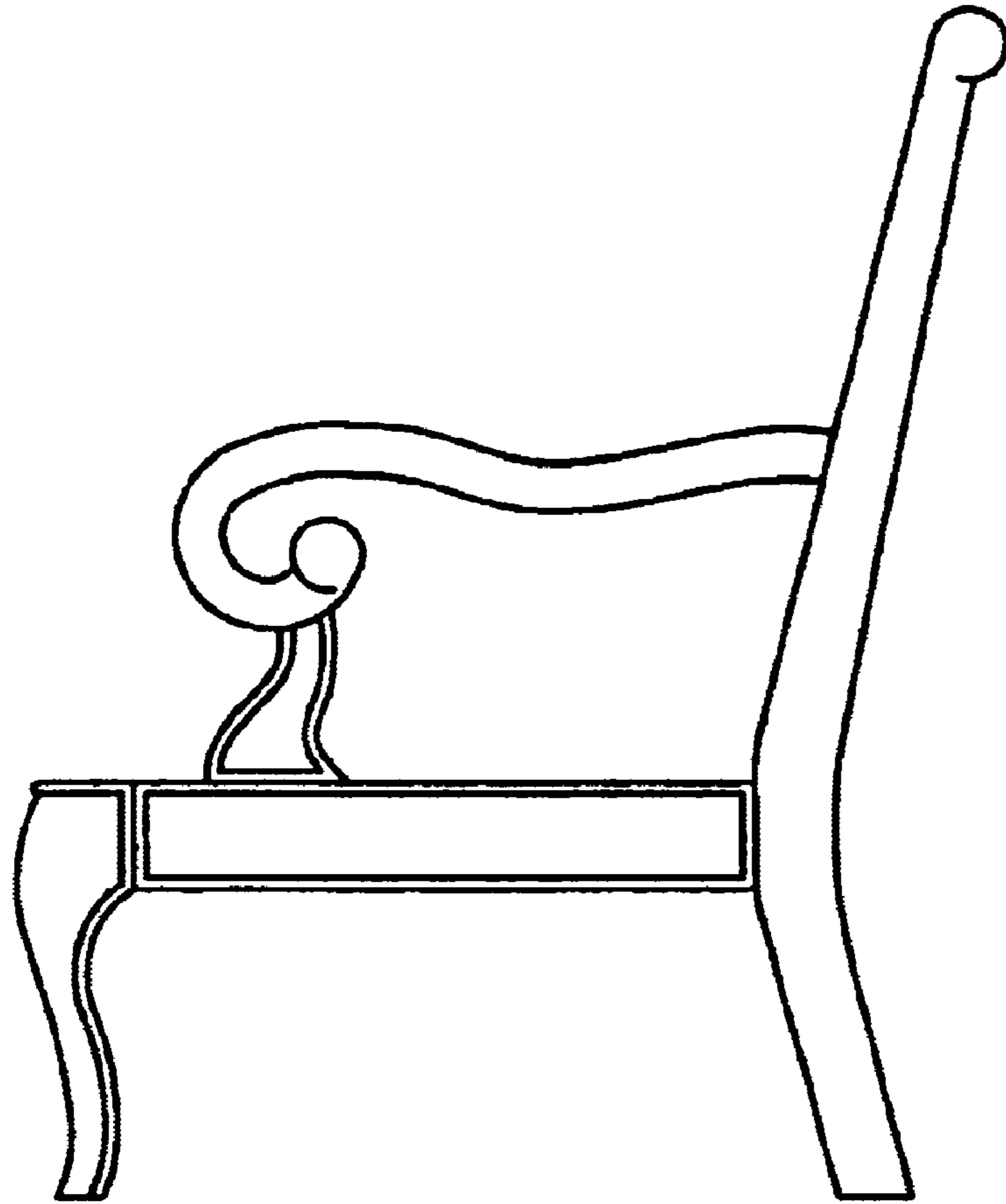


FIG.5

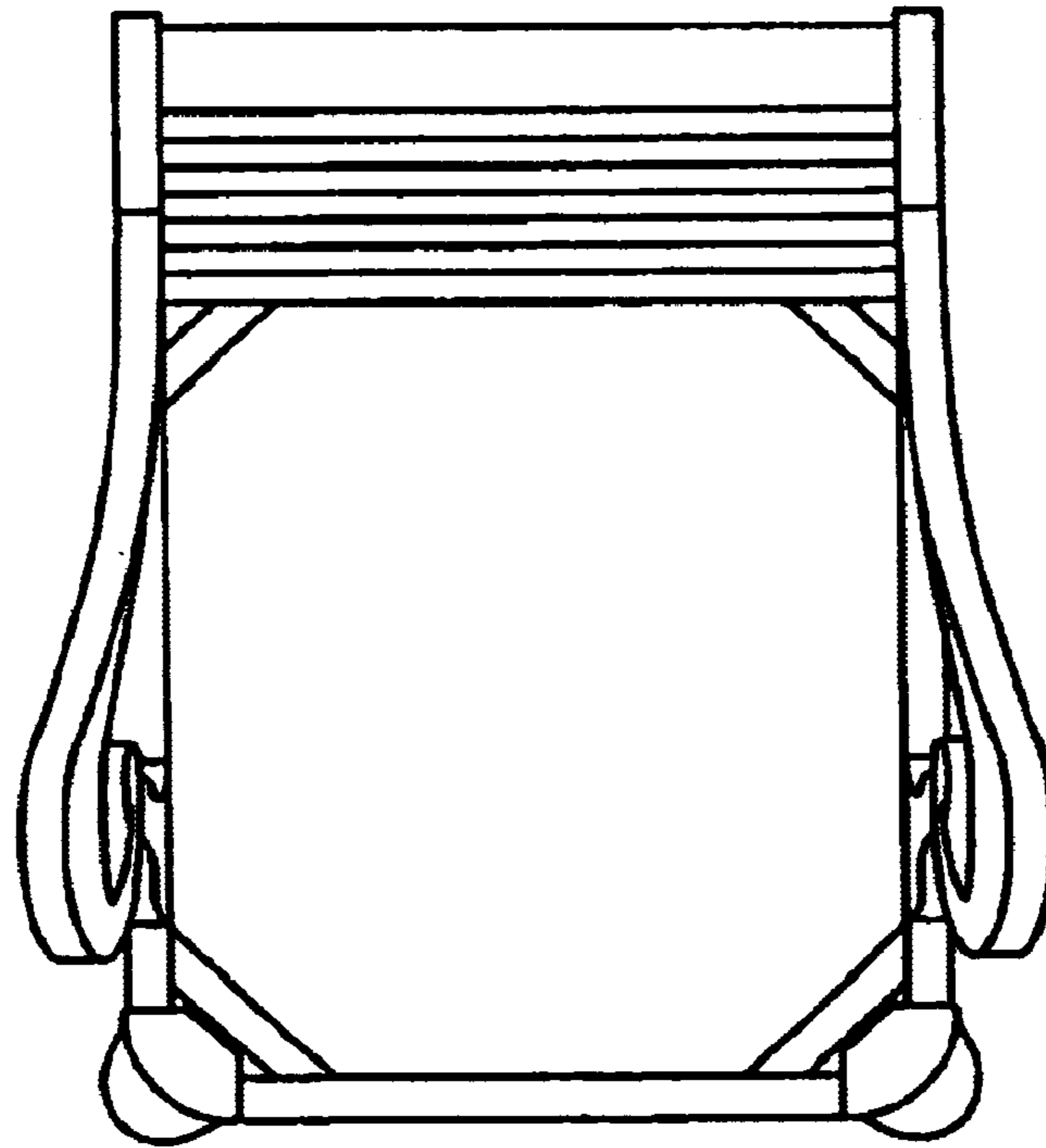


FIG.6

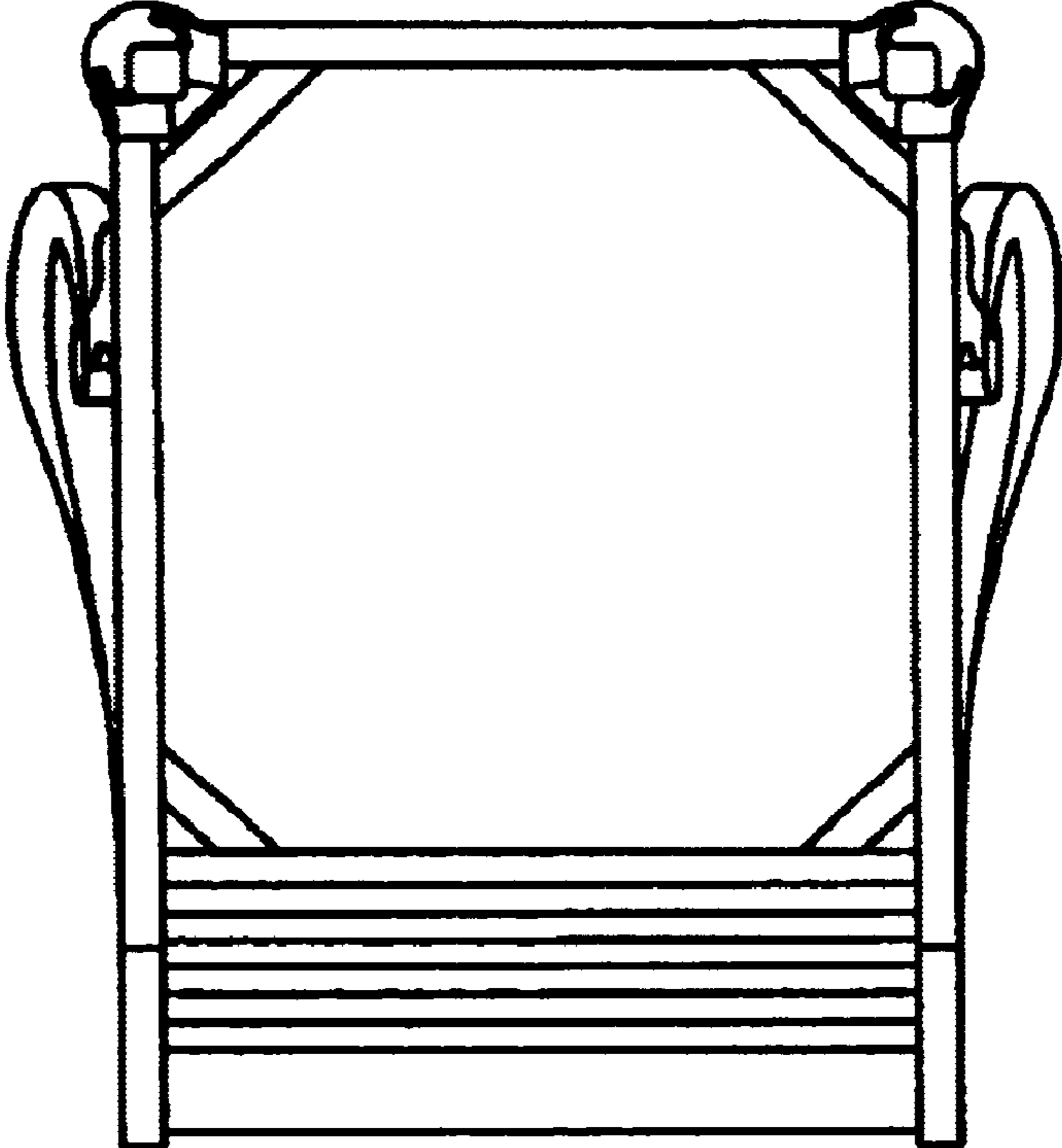


FIG. 7