



US00D516826S

(12) **United States Design Patent** (10) **Patent No.:** **US D516,826 S**  
**Zheng** (45) **Date of Patent:** **\*\* Mar. 14, 2006**

(54) **COLLAPSIBLE SOCCER SPORTS CHAIR**  
(75) Inventor: **Edward Zheng**, Chino Hills, CA (US)  
(73) Assignee: **Tofasco of America, Inc.**, LaVerne, CA (US)  
(\*\*) Term: **14 Years**  
(21) Appl. No.: **29/227,333**  
(22) Filed: **Apr. 8, 2005**

6,899,383 B1 \* 5/2005 Hwang ..... 297/45  
D507,892 S \* 8/2005 Zheng ..... D6/358  
2002/0074834 A1 \* 6/2002 Summar et al. .... 297/45  
2003/0052518 A1 \* 3/2003 Zheng ..... 297/16.2  
2003/0057741 A1 \* 3/2003 Zheng ..... 297/16.2  
2003/0127885 A1 \* 7/2003 Tang ..... 297/16.2  
2004/0007903 A1 \* 1/2004 Chang ..... 297/45  
2004/0036323 A1 \* 2/2004 Hwang ..... 297/16.2  
2004/0066075 A1 \* 4/2004 Yeh ..... 297/354.1  
2004/0113476 A1 \* 6/2004 Chang ..... 297/16.2

\* cited by examiner

**Related U.S. Application Data**

(62) Division of application No. 29/200,735, filed on Mar. 2, 2004, now Pat. No. Des. 507,892.  
(51) **LOC (8) Cl.** ..... **06-01**  
(52) **U.S. Cl.** ..... **D6/358; D6/368**  
(58) **Field of Classification Search** ..... D6/334-336, D6/351, 358, 367, 368, 374, 375, 379, 500-502; 297/16.2, 45, 46, 55-57, 181, 354.1, 452.13; D21/825; 473/604  
See application file for complete search history.

*Primary Examiner*—Mimosa De  
(74) *Attorney, Agent, or Firm*—Rutan & Tucker, LLP

(57) **CLAIM**

The ornamental design for a collapsible soccer sports chair, as shown and described.

**DESCRIPTION**

FIG. 1 is a perspective view of one collapsible soccer sports chair.  
FIG. 2 is a top view of the collapsible soccer sports chair of FIG. 1.  
FIG. 3 is a front view of the collapsible soccer sports chair of FIG. 1.  
FIG. 4 is a left side view of the collapsible soccer sports chair of FIG. 1.  
FIG. 5 is a rear view of the collapsible soccer sports chair of FIG. 1.  
FIG. 6 is a right side view of the collapsible soccer sports chair of FIG. 1; and,  
FIG. 7 is a bottom view of the collapsible soccer sports chair of FIG. 1.

(56) **References Cited**  
**U.S. PATENT DOCUMENTS**

D273,967 S \* 5/1984 Budde ..... D21/825  
D374,127 S \* 10/1996 Diaz ..... D6/358  
5,893,605 A \* 4/1999 Chang ..... 297/16.2  
D422,155 S \* 4/2000 Rougie ..... D6/358  
6,644,731 B1 \* 11/2003 Tang ..... 297/16.2  
6,682,135 B1 \* 1/2004 Zheng ..... 297/45  
6,733,070 B1 \* 5/2004 Chang ..... 297/45  
6,755,462 B1 \* 6/2004 Zheng ..... 297/16.2  
D500,605 S \* 1/2005 Schmidt et al. .... D6/336  
D501,610 S \* 2/2005 Hightower ..... D6/358

**1 Claim, 4 Drawing Sheets**



*FIG. 1*



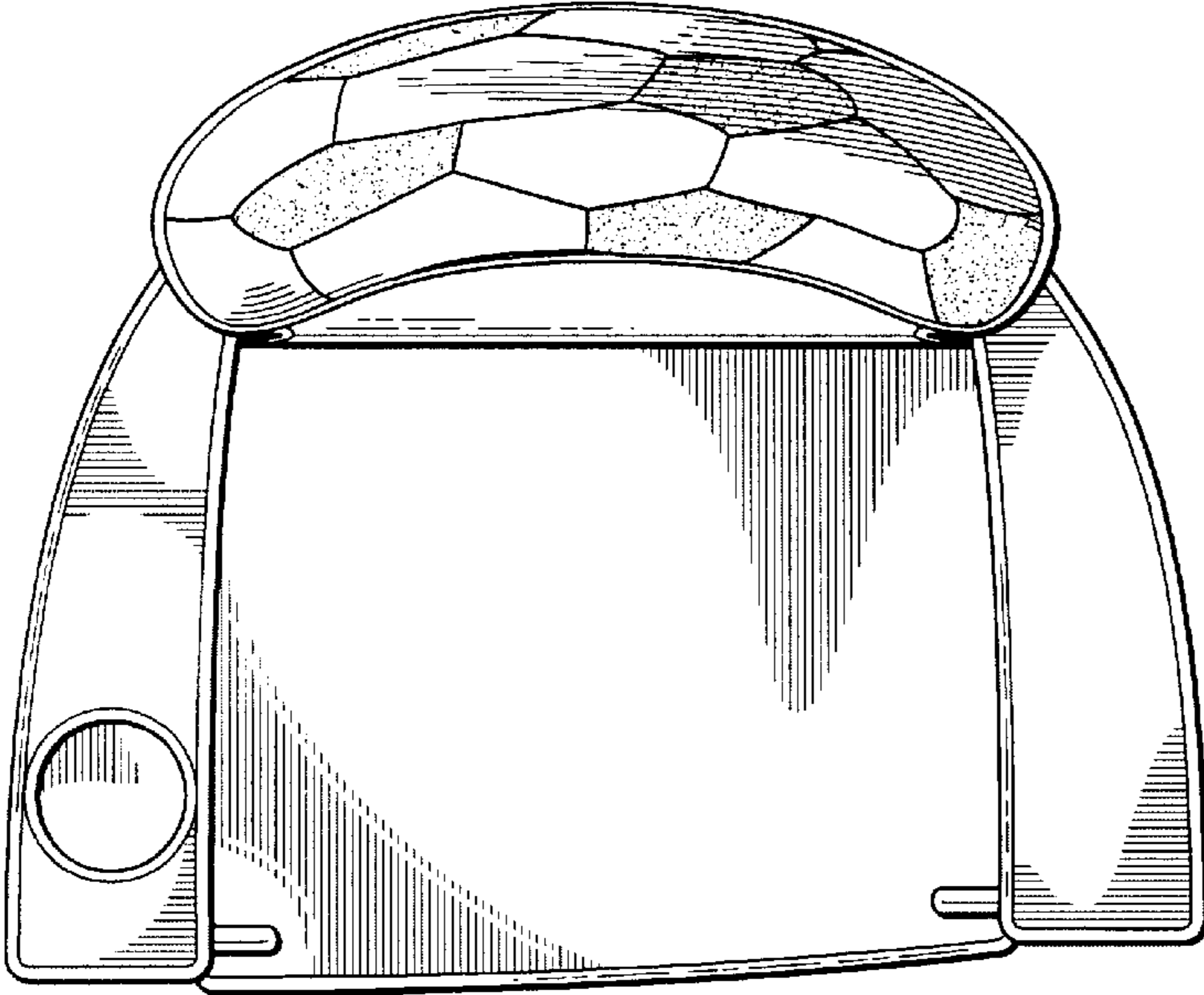


FIG. 2

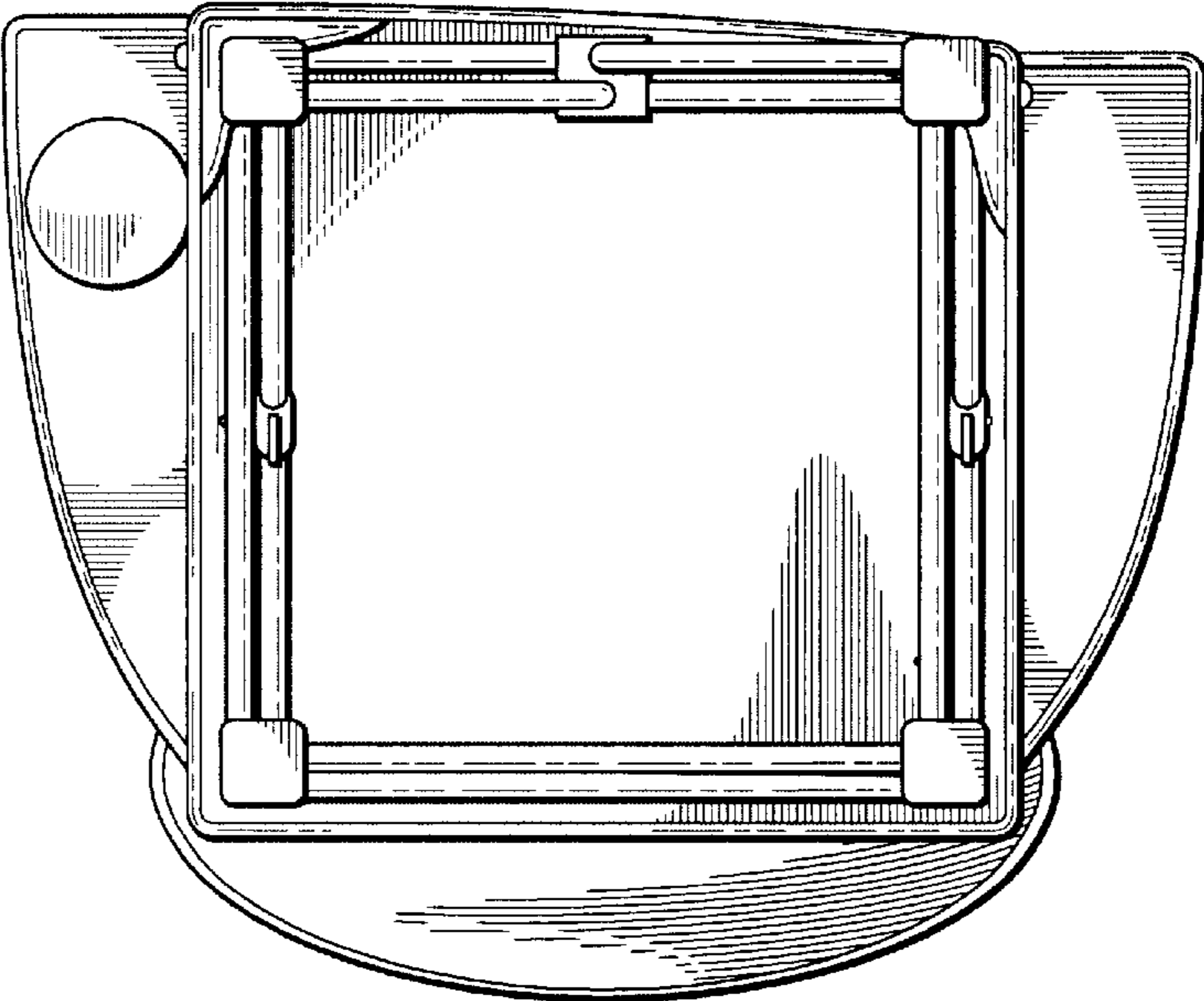


FIG. 7



FIG. 3

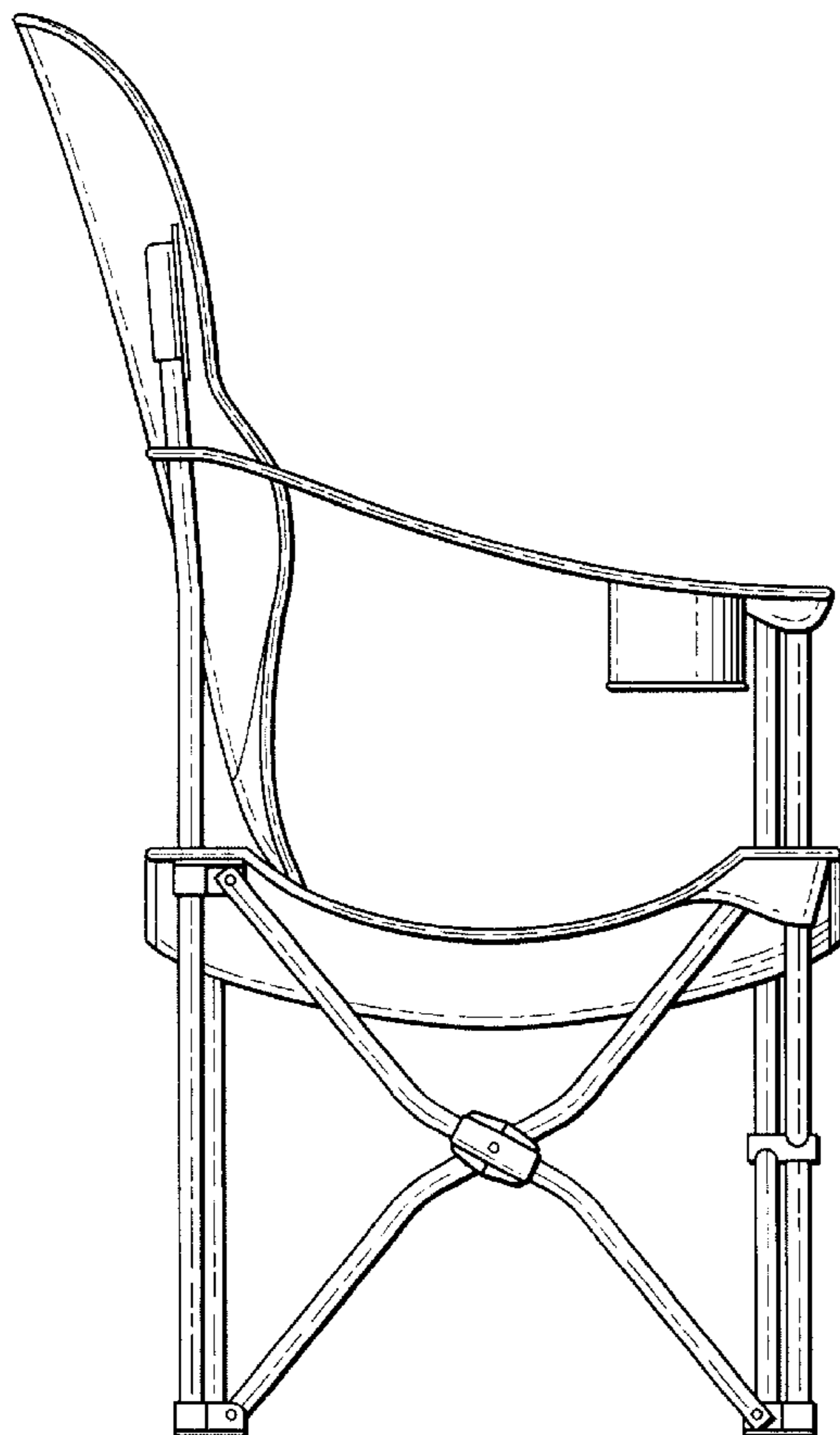
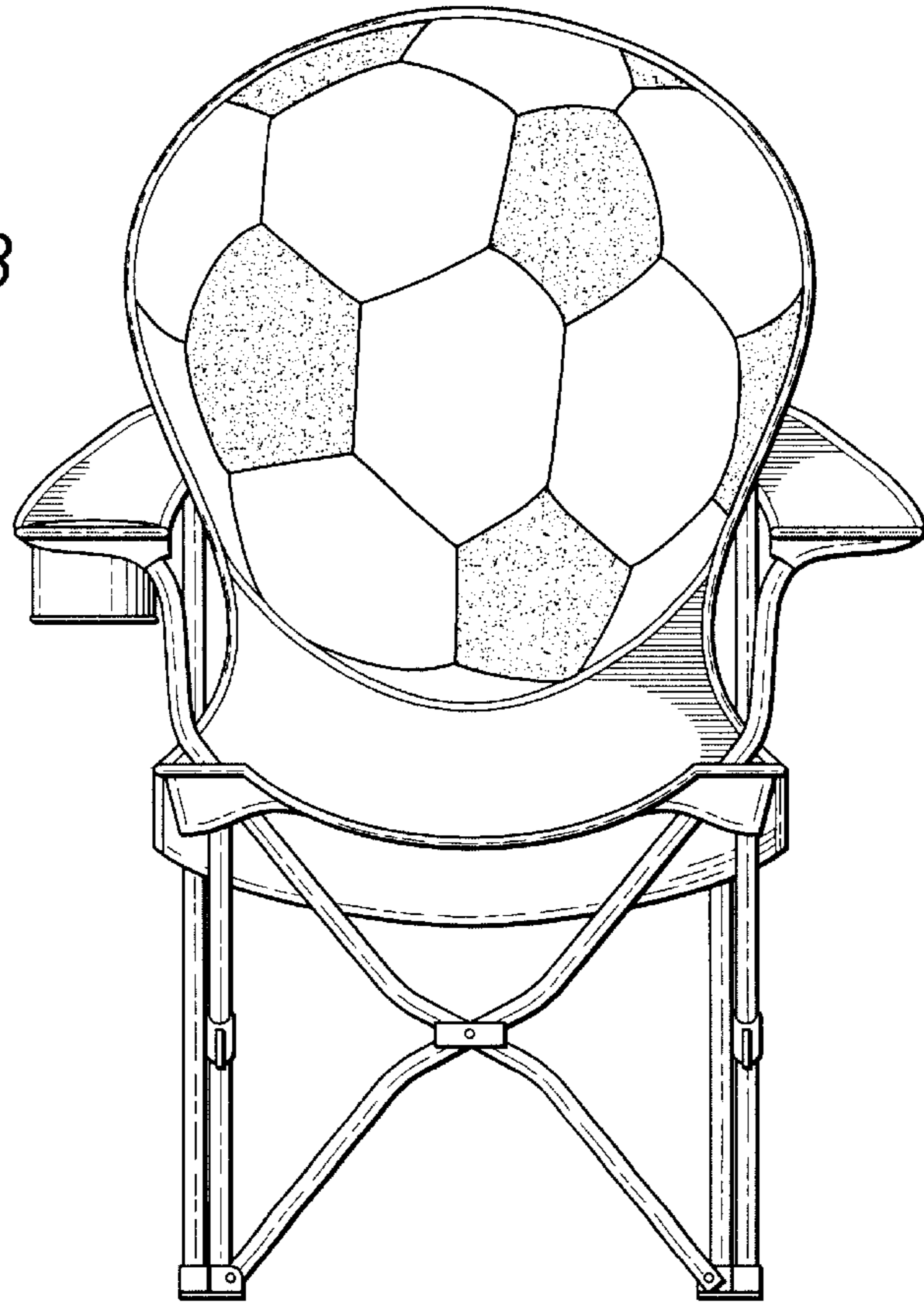


FIG. 4

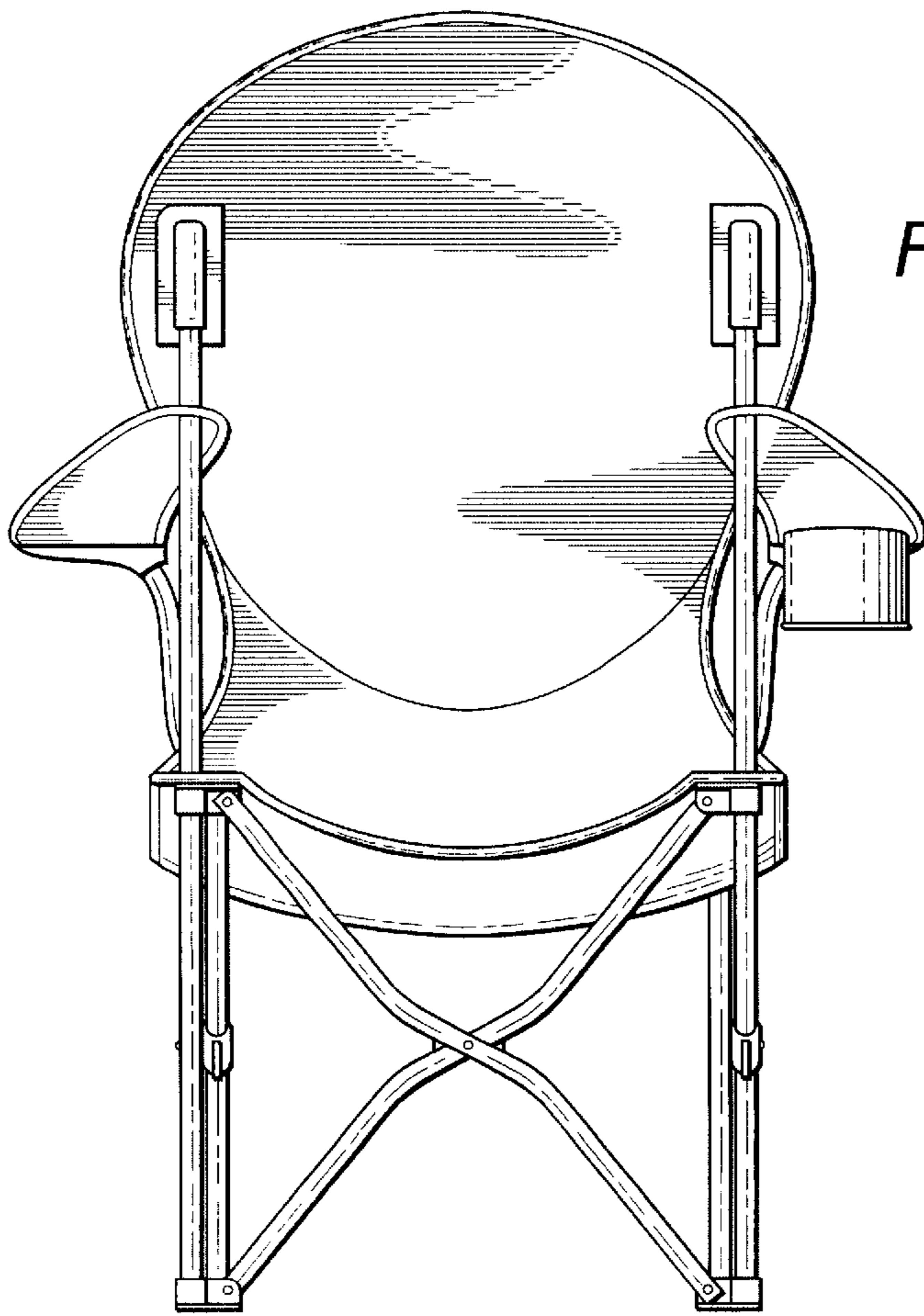


FIG. 5

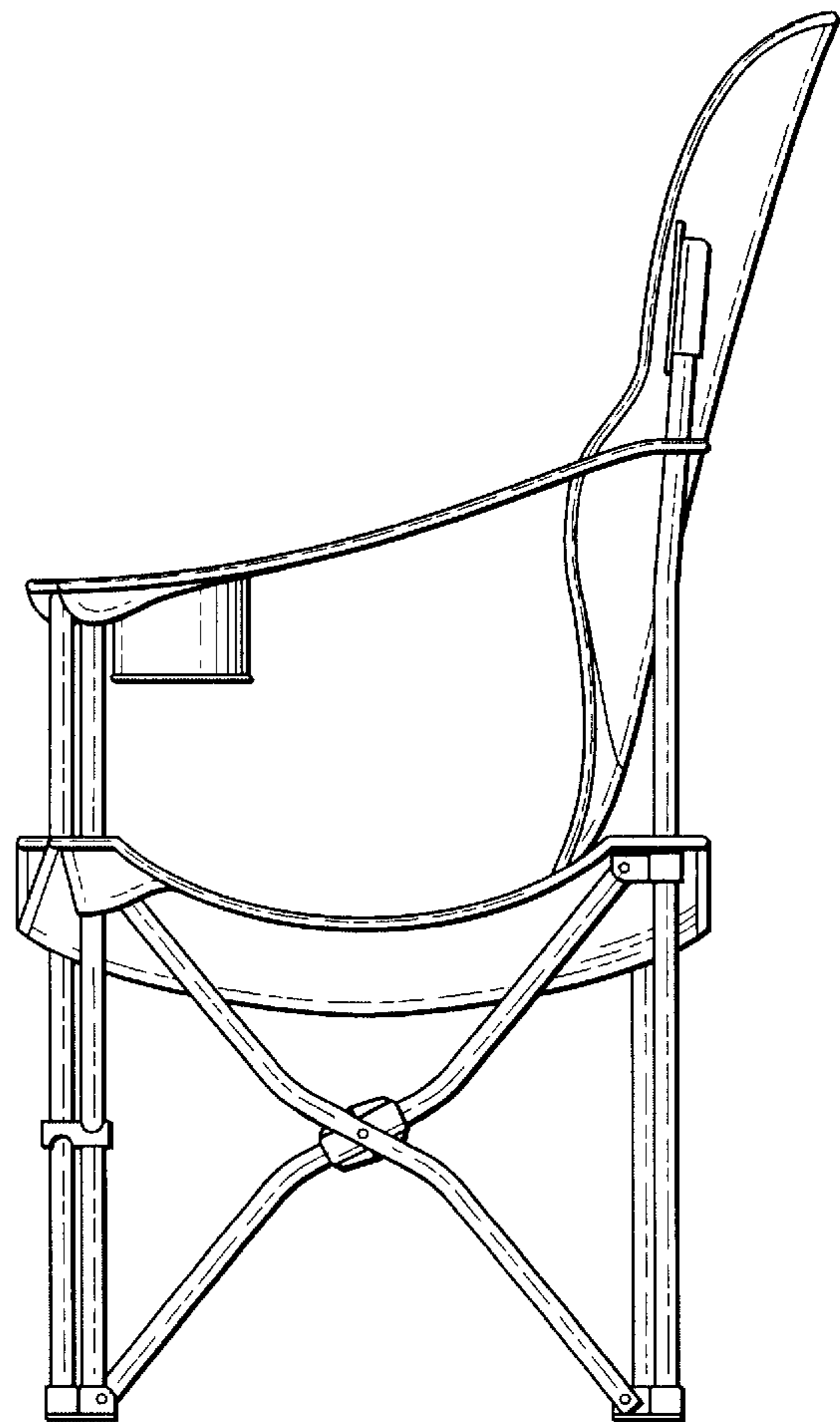


FIG. 6