



US00D516825S

(12) **United States Design Patent**  
**Zheng**

(10) **Patent No.:** **US D516,825 S**  
(45) **Date of Patent:** **\*\* Mar. 14, 2006**

(54) **COLLAPSIBLE FOOTBALL SPORTS CHAIR**

(75) Inventor: **Edward Zheng**, Chino Hills, CA (US)

(73) Assignee: **Tofasco of America, Inc.**, LaVerne, CA (US)

(\*\*) Term: **14 Years**

(21) Appl. No.: **29/227,292**

(22) Filed: **Apr. 8, 2005**

(51) **LOC (8) Cl.** ..... **06-01**

(52) **U.S. Cl.** ..... **D6/358; D6/368**

(58) **Field of Classification Search** ..... D6/334-336,  
D6/351, 358, 367, 368, 374, 375, 379, 500-502;  
297/16.2, 45, 46, 55-57, 181, 354.1, 452.13;  
D21/825; D2/869, 870; D29/106; 473/604  
See application file for complete search history.

(56) **References Cited**

**U.S. PATENT DOCUMENTS**

D233,381	S	*	10/1974	Wright	.....	D6/351
3,843,197	A	*	10/1974	Wright	.....	297/181
D235,940	S	*	7/1975	Stock	.....	D2/870
D255,297	S	*	6/1980	Miller	.....	D6/358
D312,915	S	*	12/1990	Gilfert et al.	.....	D29/106
D338,546	S	*	8/1993	Barker	.....	D2/870
5,893,605	A	*	4/1999	Chang	.....	297/16.2
6,644,731	B1	*	11/2003	Tang	.....	297/16.2
6,682,135	B1	*	1/2004	Zheng	.....	297/45
6,733,070	B1	*	5/2004	Chang	.....	297/45
6,755,462	B1	*	6/2004	Zheng	.....	297/16.2
D500,605	S	*	1/2005	Schmidt et al.	.....	D6/368
D503,554	S	*	4/2005	Kay	.....	D6/358
6,899,383	B1	*	5/2005	Hwang	.....	297/45

D507,892	S	*	8/2005	Zheng	.....	D6/358
2002/0074834	A1	*	6/2002	Summar et al.	.....	297/45
2003/0052518	A1	*	3/2003	Zheng	.....	297/16.2
2003/0057741	A1	*	3/2003	Zheng	.....	297/16.2
2003/0127885	A1	*	7/2003	Tang	.....	297/16.2
2004/0007903	A1	*	1/2004	Chang	.....	297/45
2004/0036323	A1	*	2/2004	Hwang	.....	297/16.2
2004/0066075	A1	*	4/2004	Yeh	.....	297/354.1
2004/0113476	A1	*	6/2004	Chang	.....	297/16.2

\* cited by examiner

*Primary Examiner*—Mimosa De

(74) *Attorney, Agent, or Firm*—Rutart & Tucker, LLP

(57) **CLAIM**

The ornamental design for a collapsible football sports chair, as shown and described.

**DESCRIPTION**

FIG. 1 is a perspective view of one collapsible football sports chair.

FIG. 2 is a top view of the collapsible football sports chair of FIG. 1.

FIG. 3 is a front view of the collapsible football sports chair of FIG. 1.

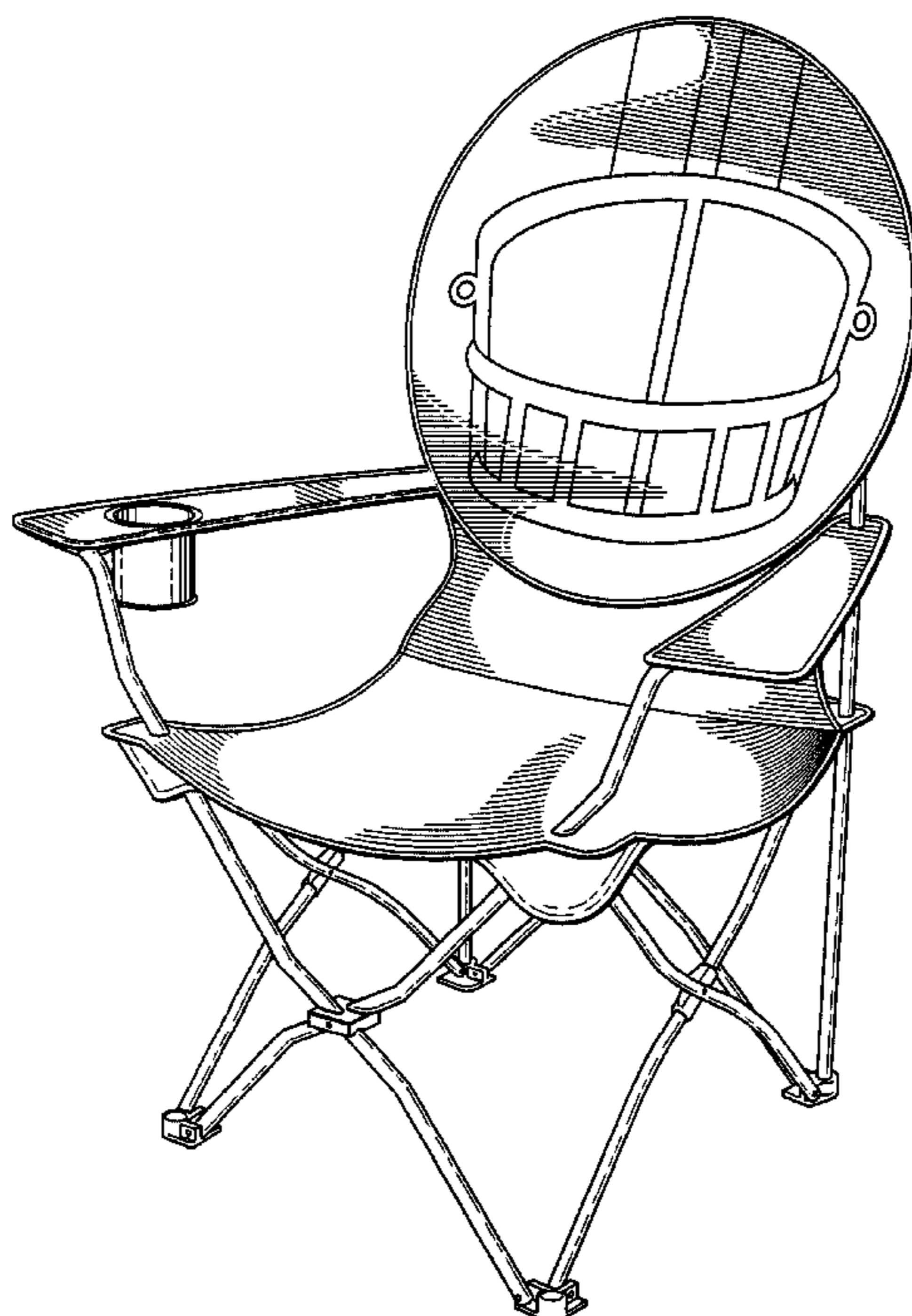
FIG. 4 is a left side view of the collapsible football sports chair of FIG. 1.

FIG. 5 is a rear view of the collapsible football sports chair of FIG. 1.

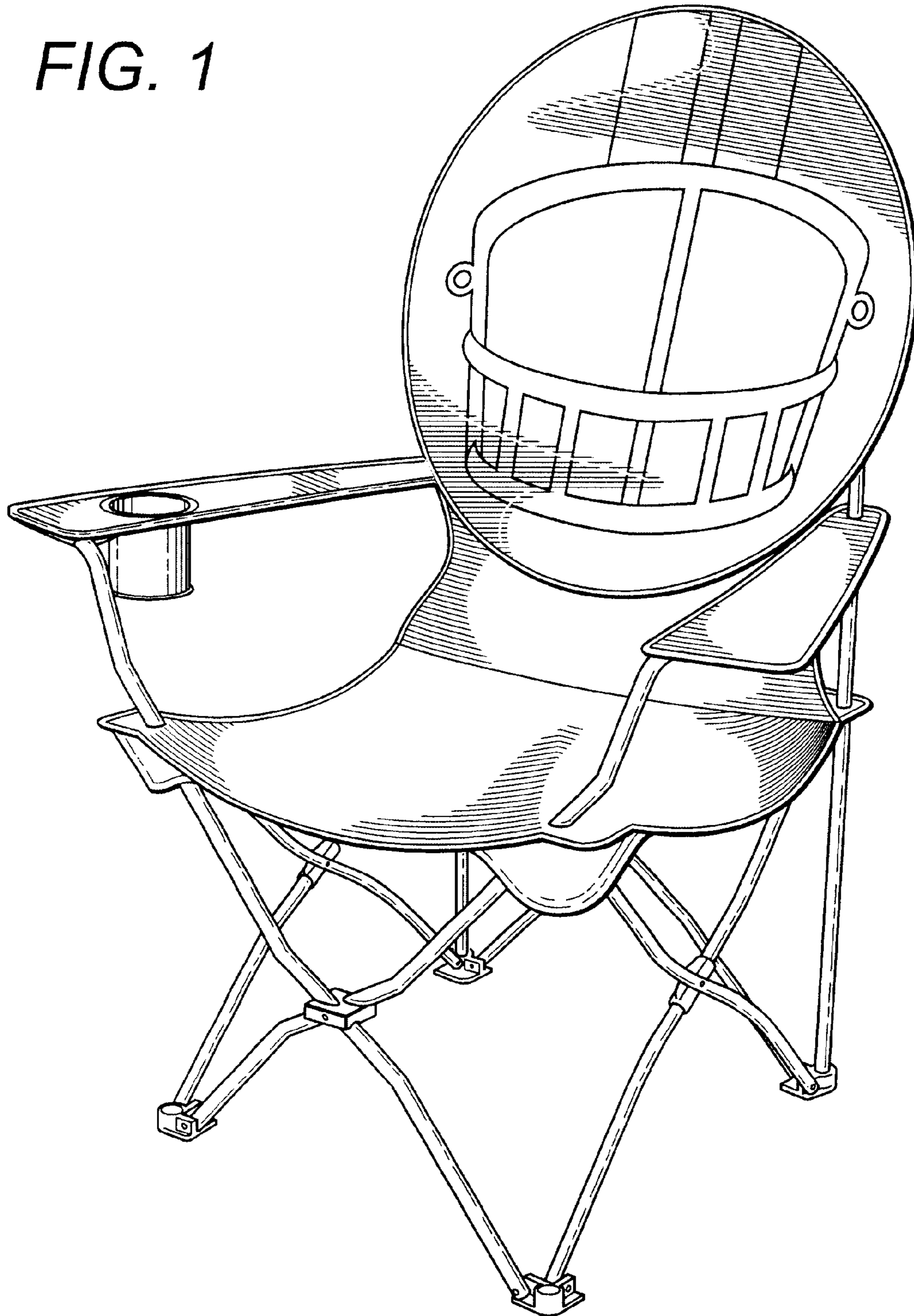
FIG. 6 is a right side view of the collapsible football sports chair of FIG. 1; and,

FIG. 7 is a bottom view of the collapsible football sports chair of FIG. 1.

**1 Claim, 4 Drawing Sheets**



*FIG. 1*



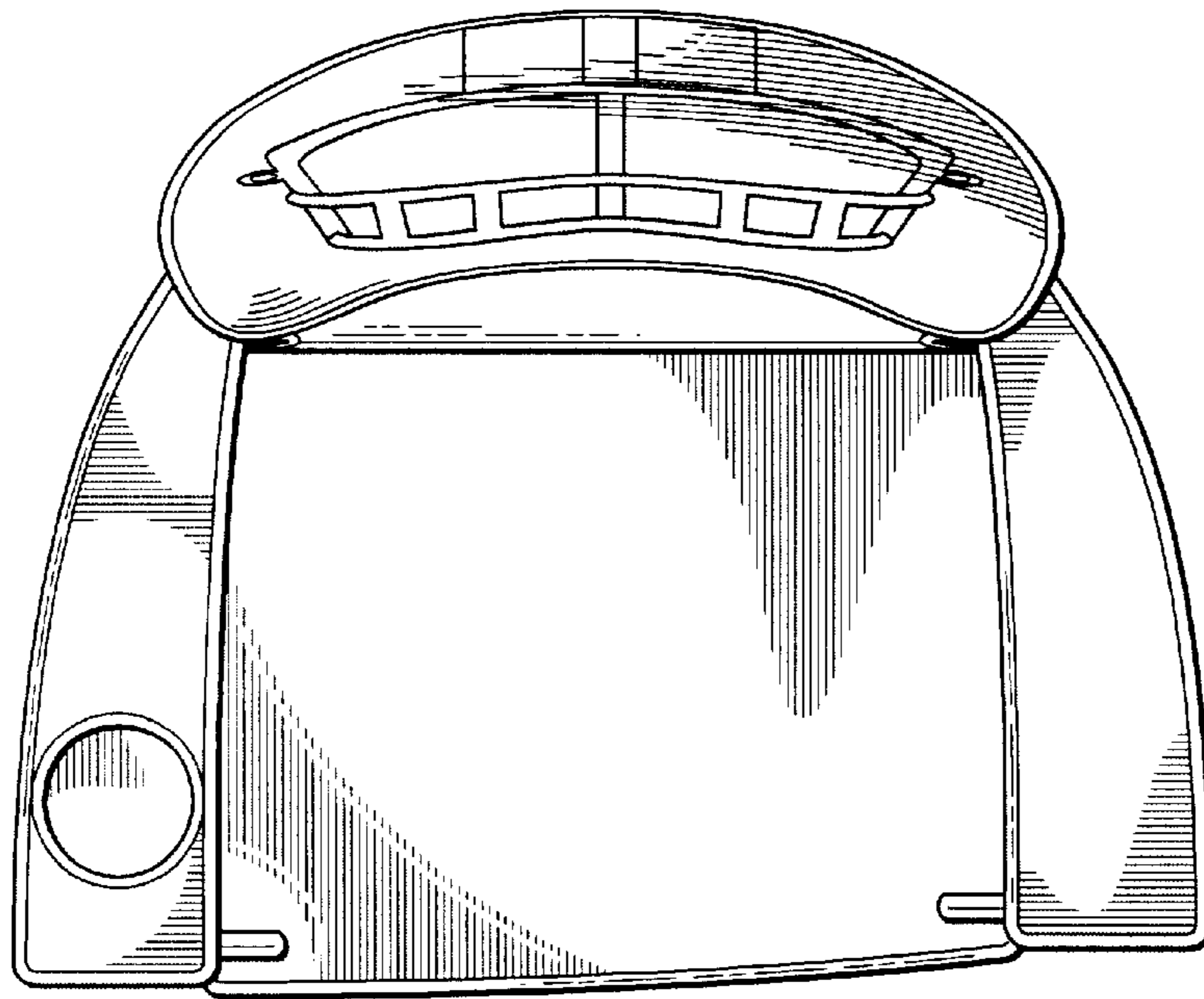


FIG. 2

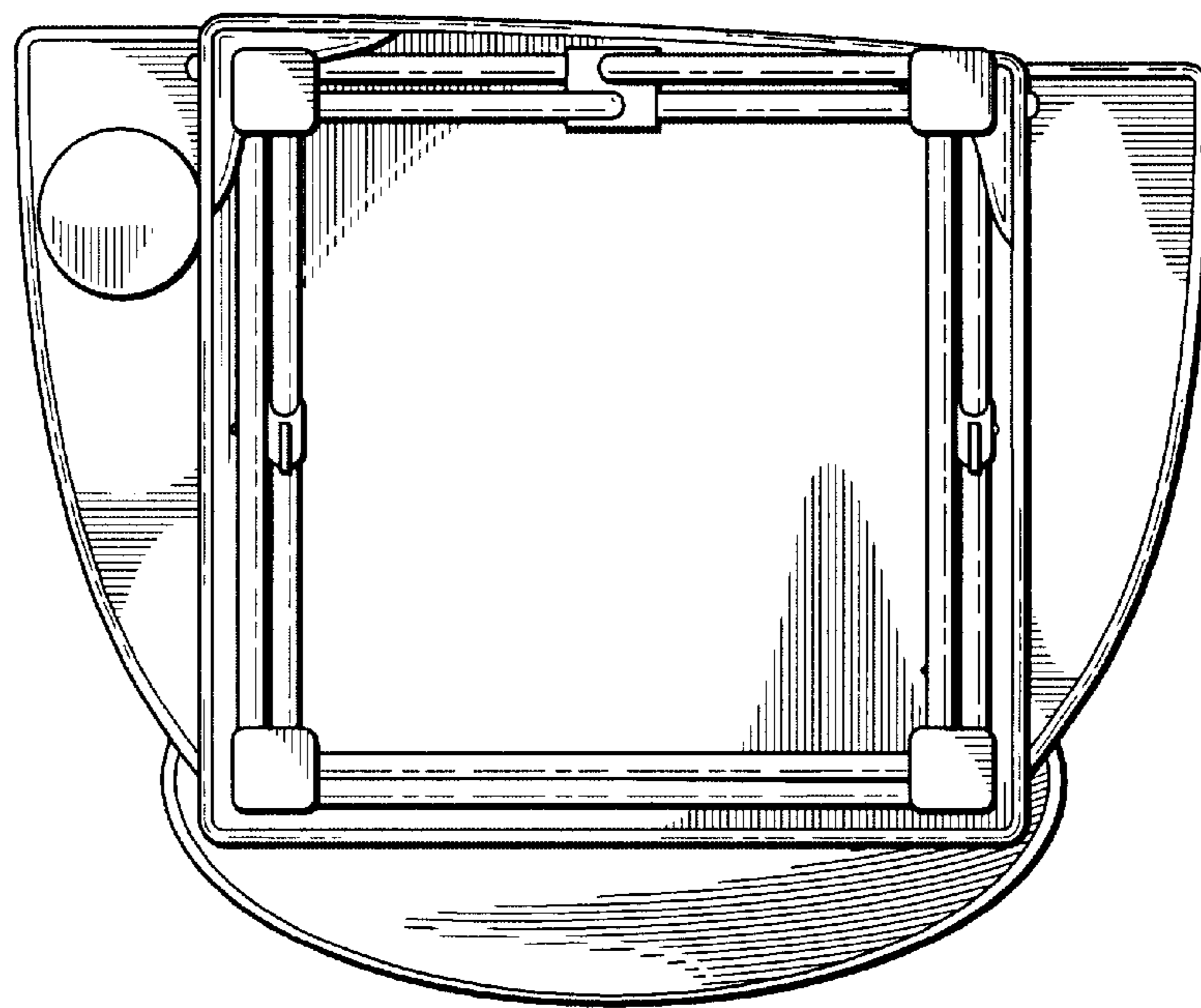


FIG. 7

FIG. 3

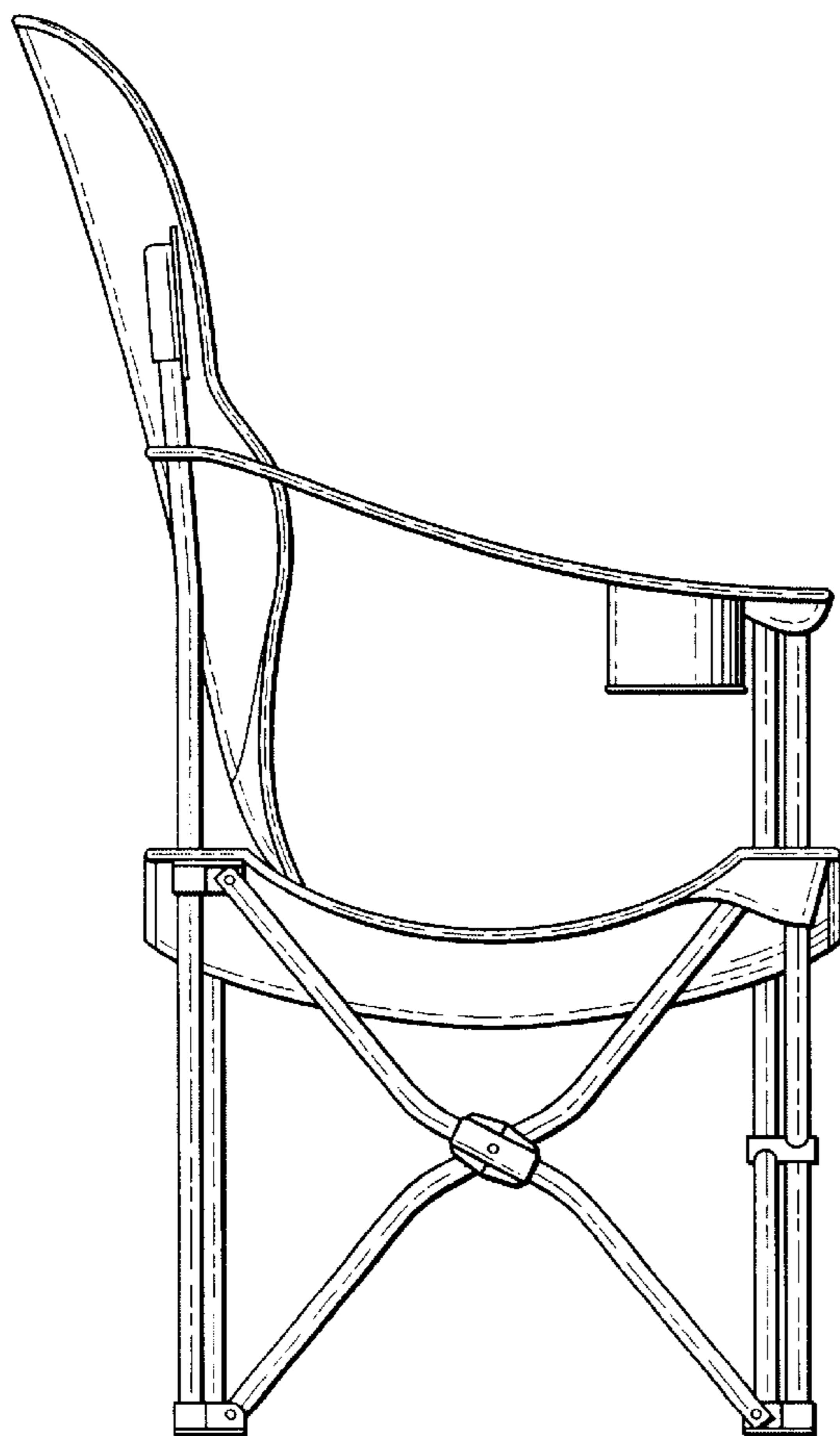
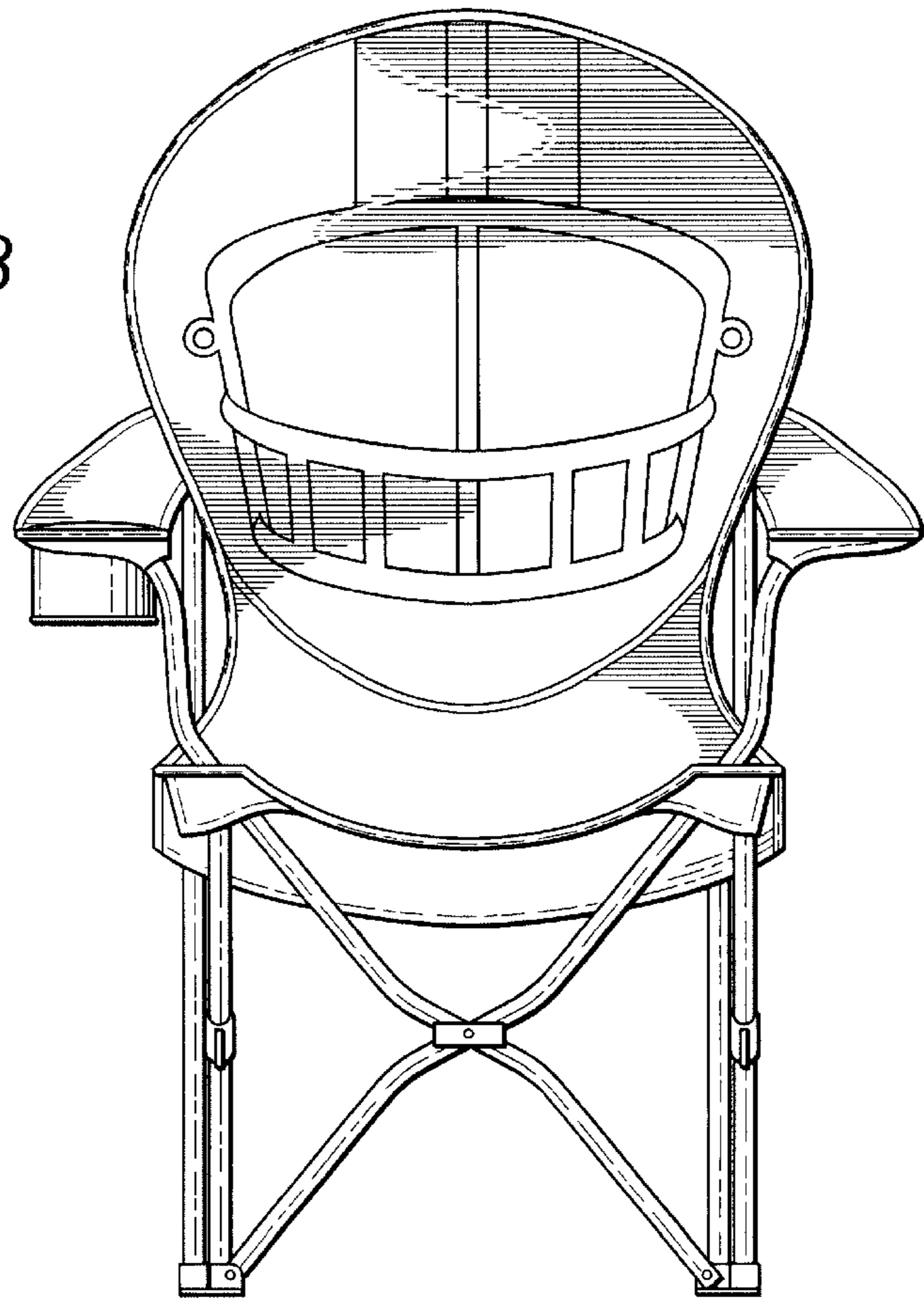


FIG. 4

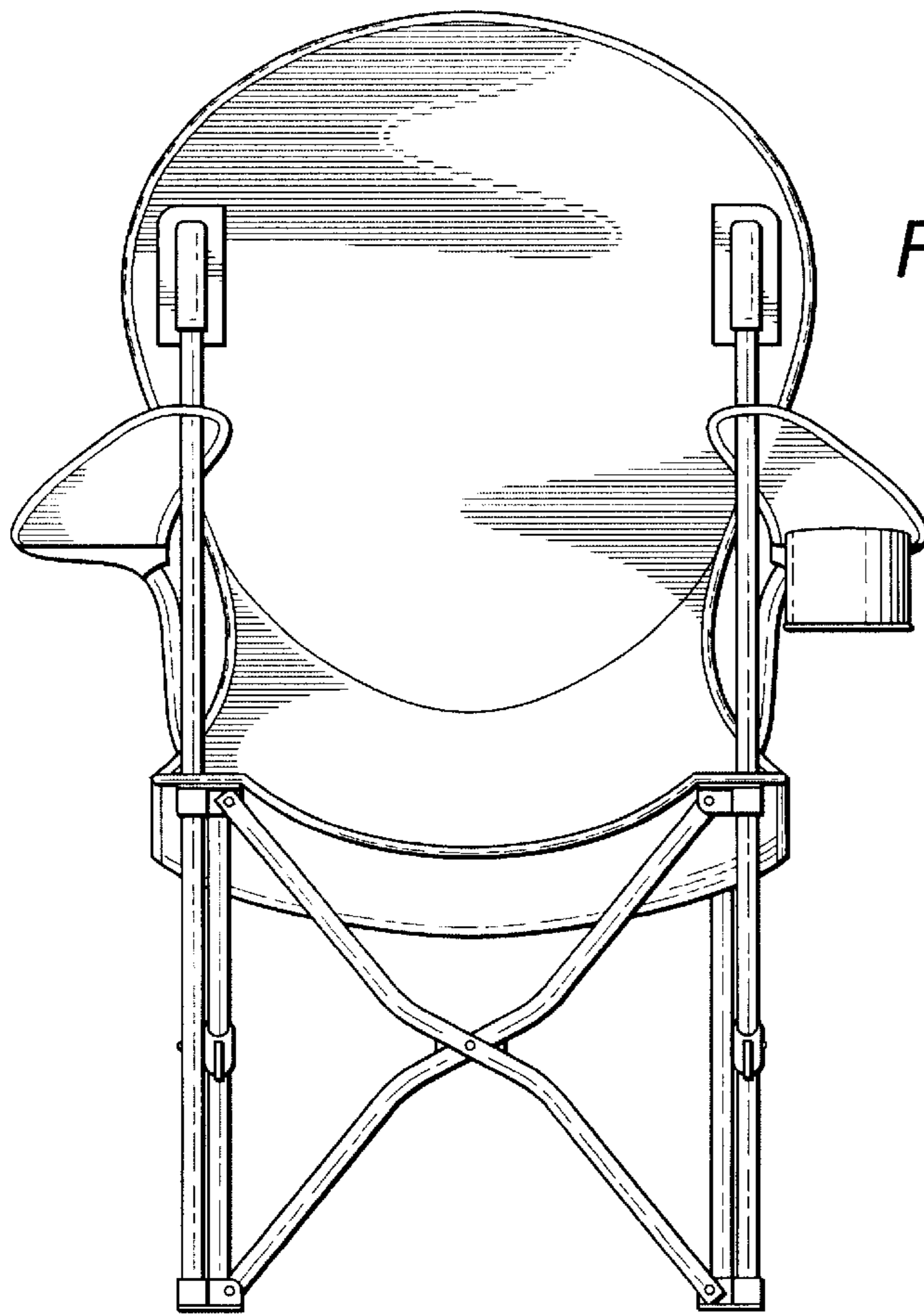


FIG. 5

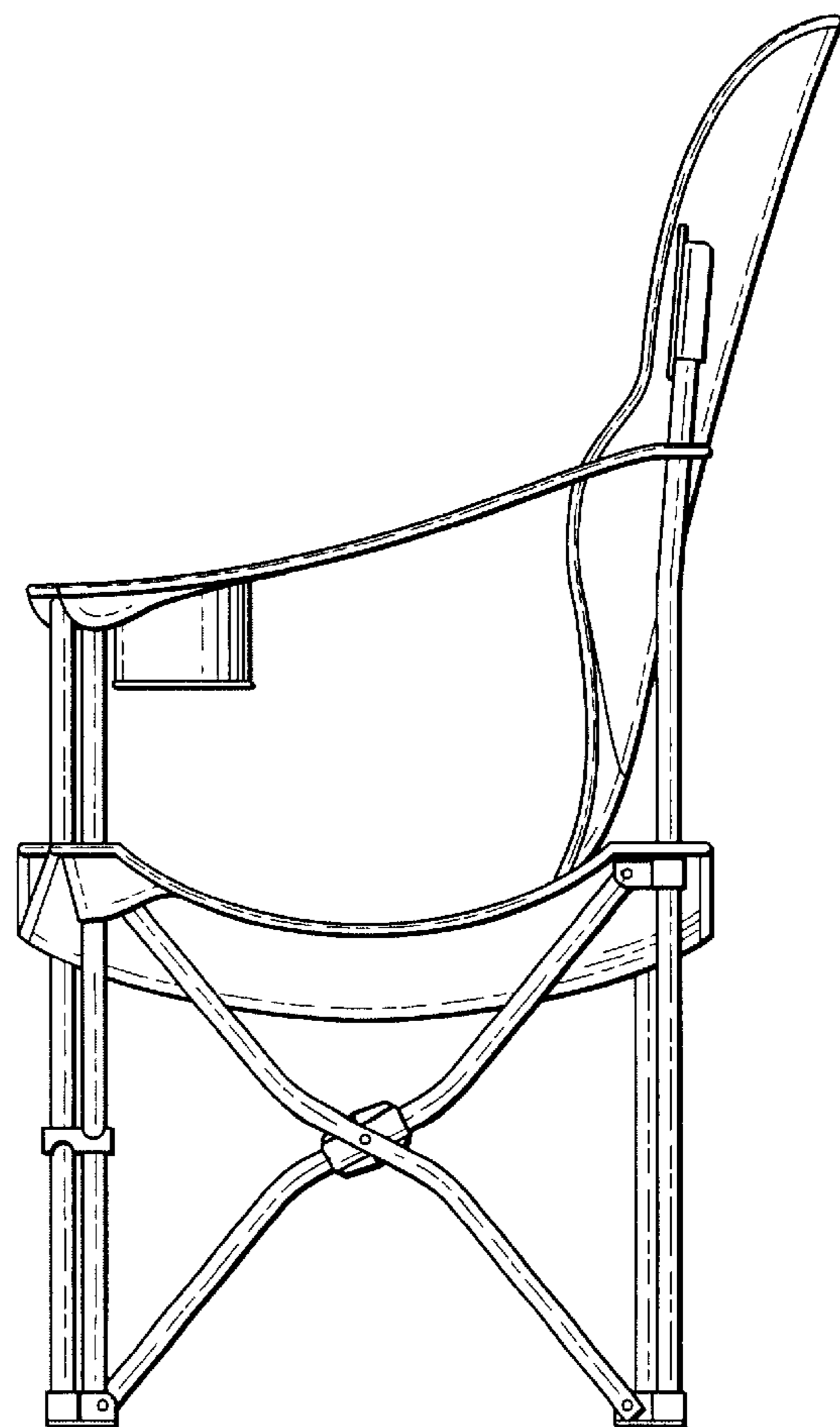


FIG. 6

UNITED STATES PATENT AND TRADEMARK OFFICE  
**CERTIFICATE OF CORRECTION**

PATENT NO. : Des. 516,825 S  
DATED : March 14, 2006  
INVENTOR(S) : Edward Zheng

Page 1 of 1

It is certified that error appears in the above-identified patent and that said Letters Patent is hereby corrected as shown below:

Title page.

Item [74], *Attorney, Agent, or Firm*, replace "Rutart & Tucker, LLP" with -- Rutan & Tucker, LLP --.

Signed and Sealed this

Sixth Day of June, 2006

A handwritten signature in black ink on a light gray dotted background. The signature reads "Jon W. Dudas" in a cursive style.

JON W. DUDAS

*Director of the United States Patent and Trademark Office*