



US00D516812S

(12) **United States Design Patent**
Pangerc et al.

(10) **Patent No.:** **US D516,812 S**
(45) **Date of Patent:** **** Mar. 14, 2006**

(54) **TOOL BIT CONTAINER**

(75) Inventors: **James E. Pangerc**, Baltimore, MD (US); **Robert P. Welsh**, Hunt Valley, MD (US); **William Bredlow**, Bel Air, MD (US); **Carlo Massobrio**, Fort Gratiot, MI (US)

(73) Assignee: **Black & Decker Inc.**, Newark, DE (US)

(**) Term: **14 Years**

(21) Appl. No.: **29/192,701**

(22) Filed: **Oct. 28, 2003**

(Under 37 CFR 1.47)

Related U.S. Application Data

(63) Continuation-in-part of application No. 29/183,329, filed on Jun. 10, 2003.

(51) **LOC (8) Cl.** **03-01**

(52) **U.S. Cl.** **D3/294; D3/905**

(58) **Field of Classification Search** D3/273,
D3/281, 294, 295, 905; 206/349, 372, 373,
206/379, 378

See application file for complete search history.

(56) **References Cited**

U.S. PATENT DOCUMENTS

D291,947 S * 9/1987 Nakata D3/206

D306,519 S * 3/1990 Nakata D3/206
5,108,287 A * 4/1992 Yee et al. 433/77
D374,988 S * 10/1996 Hillinger D3/294
6,050,409 A * 4/2000 Delbeck et al. 206/375
6,405,865 B1 * 6/2002 Lin 206/379
6,547,074 B1 * 4/2003 Chen 206/379

* cited by examiner

Primary Examiner—Philip S. Hyder

(74) *Attorney, Agent, or Firm*—Harness, Dickey & Pierce, P.L.C.

(57) **CLAIM**

The ornamental design for a tool bit container, substantially as shown and described.

DESCRIPTION

FIG. 1 is a perspective view of a tool bit container in accordance with the present invention.

FIG. 2 is a rear perspective view of the tool container of FIG. 1.

FIG. 3 is a top plan view of the tool container of FIG. 1.

FIG. 4 is a front plan view of FIG. 1.

FIG. 5 is a rear plan view of FIG. 1.

FIG. 6 is a side plan view of FIG. 1.

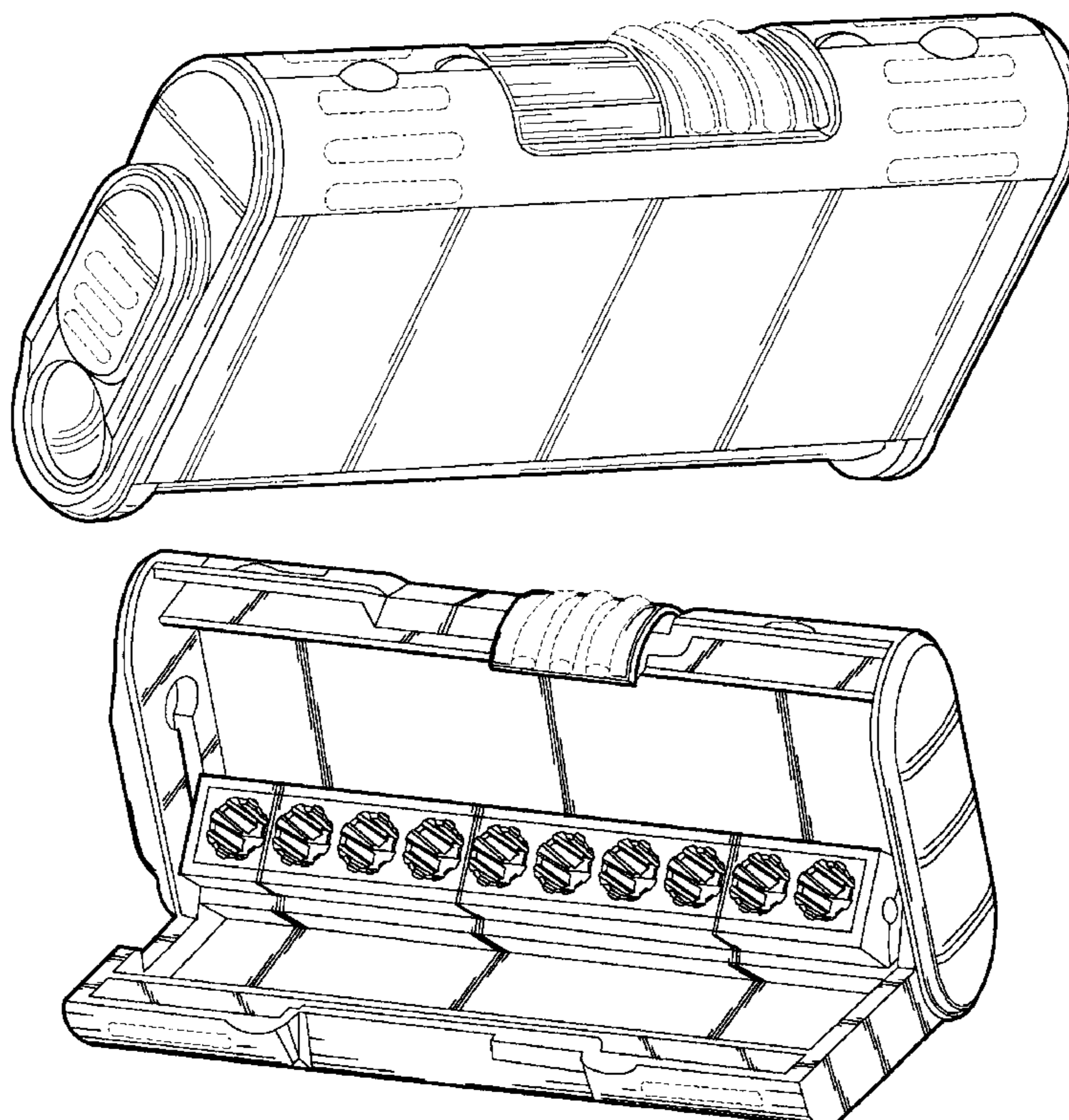
FIG. 7 is the other side view of FIG. 1.

FIG. 8 is a bottom plan view of FIG. 1; and,

FIG. 9 is a perspective view in an open position of the tool container of FIG. 1.

The broken line portions of the disclosure are for illustrative purposes only and form no part of the claimed design.

1 Claim, 5 Drawing Sheets



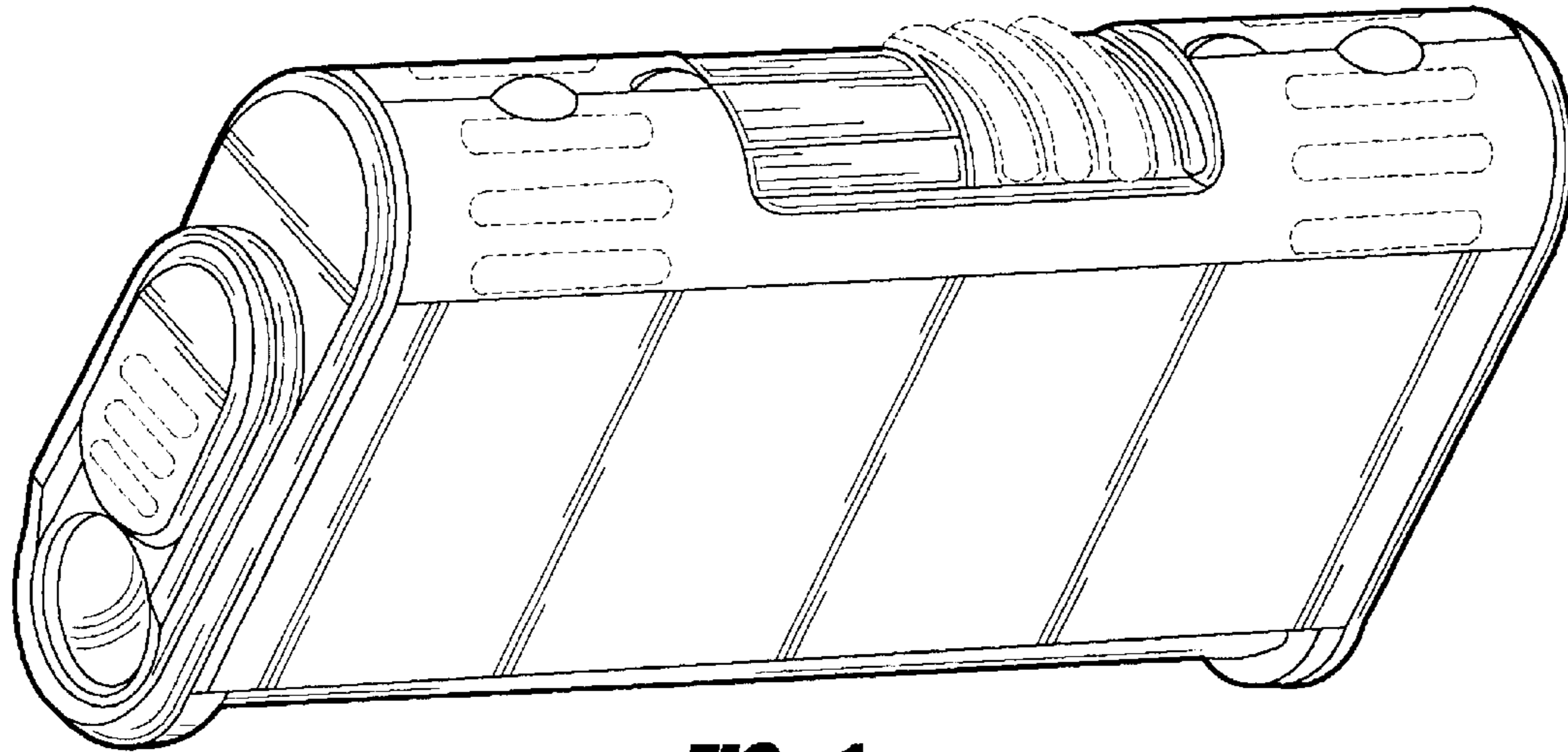


FIG - 1

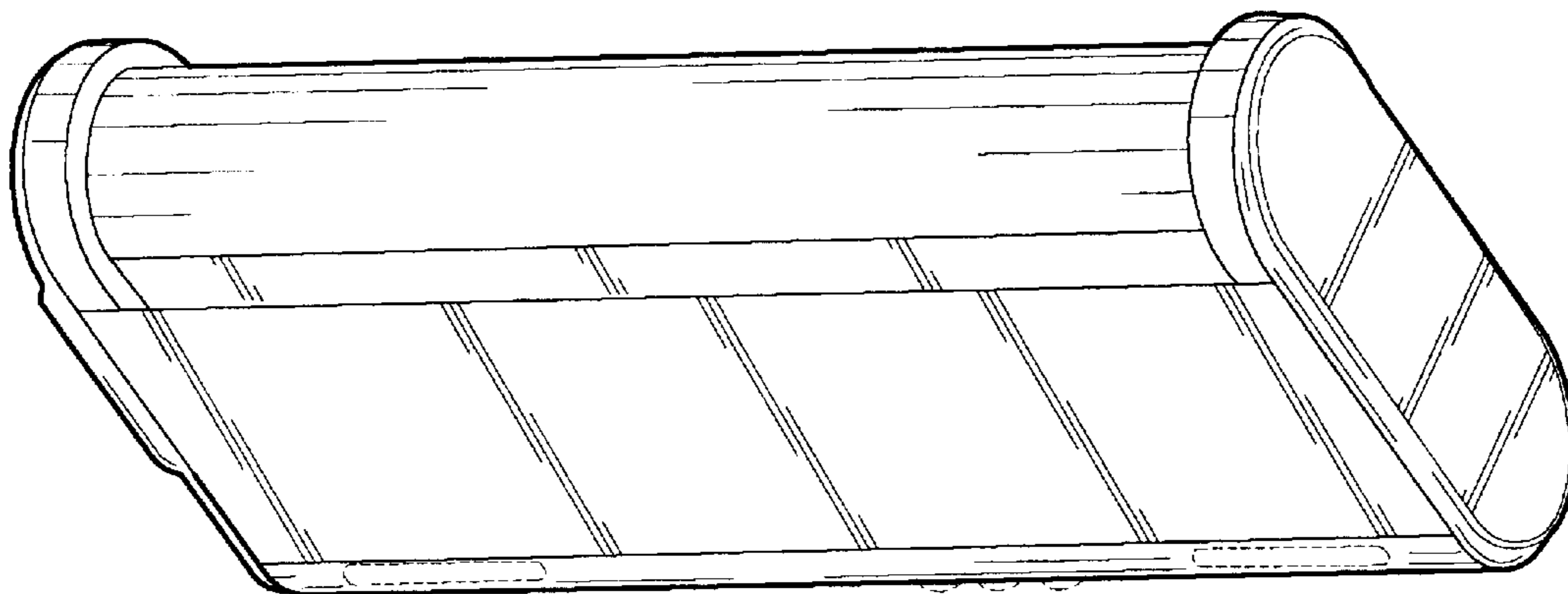


FIG - 2

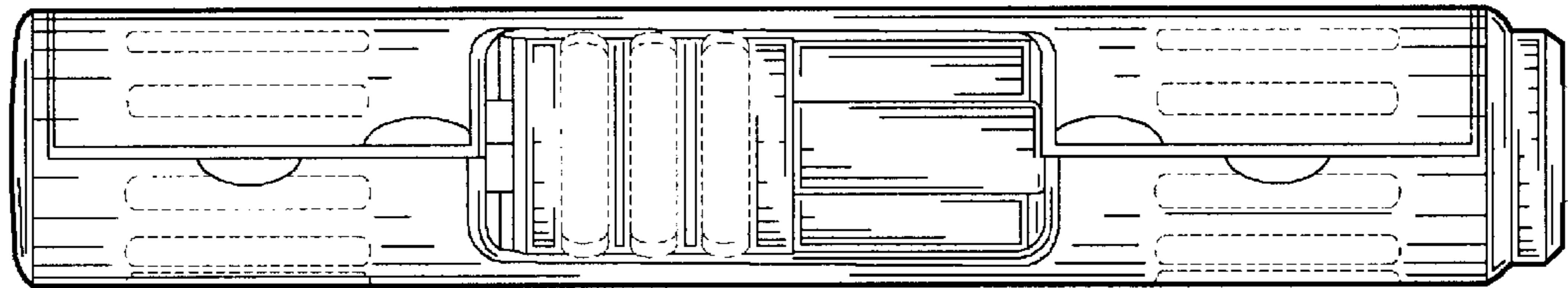


FIG - 3

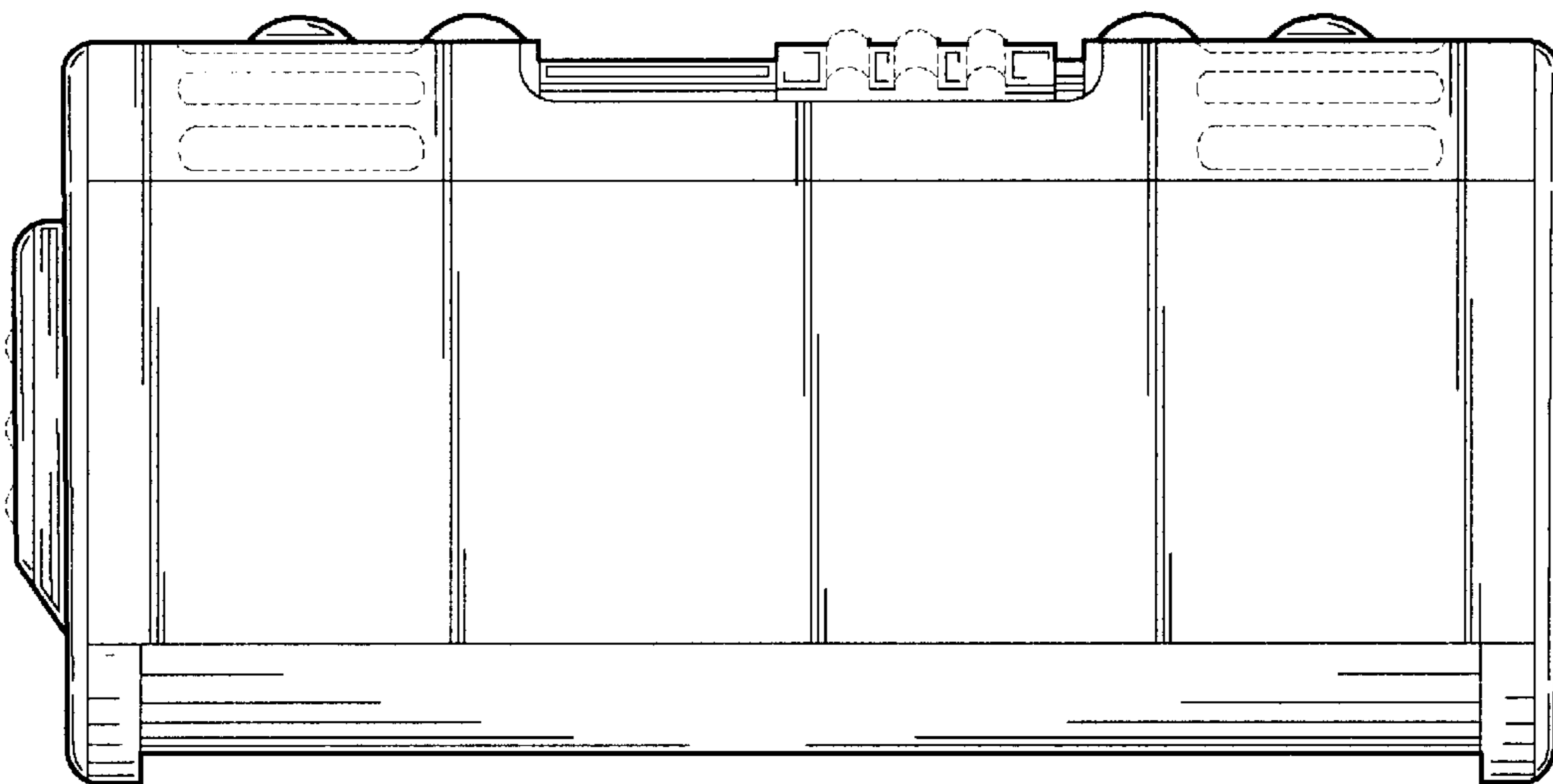


FIG - 4

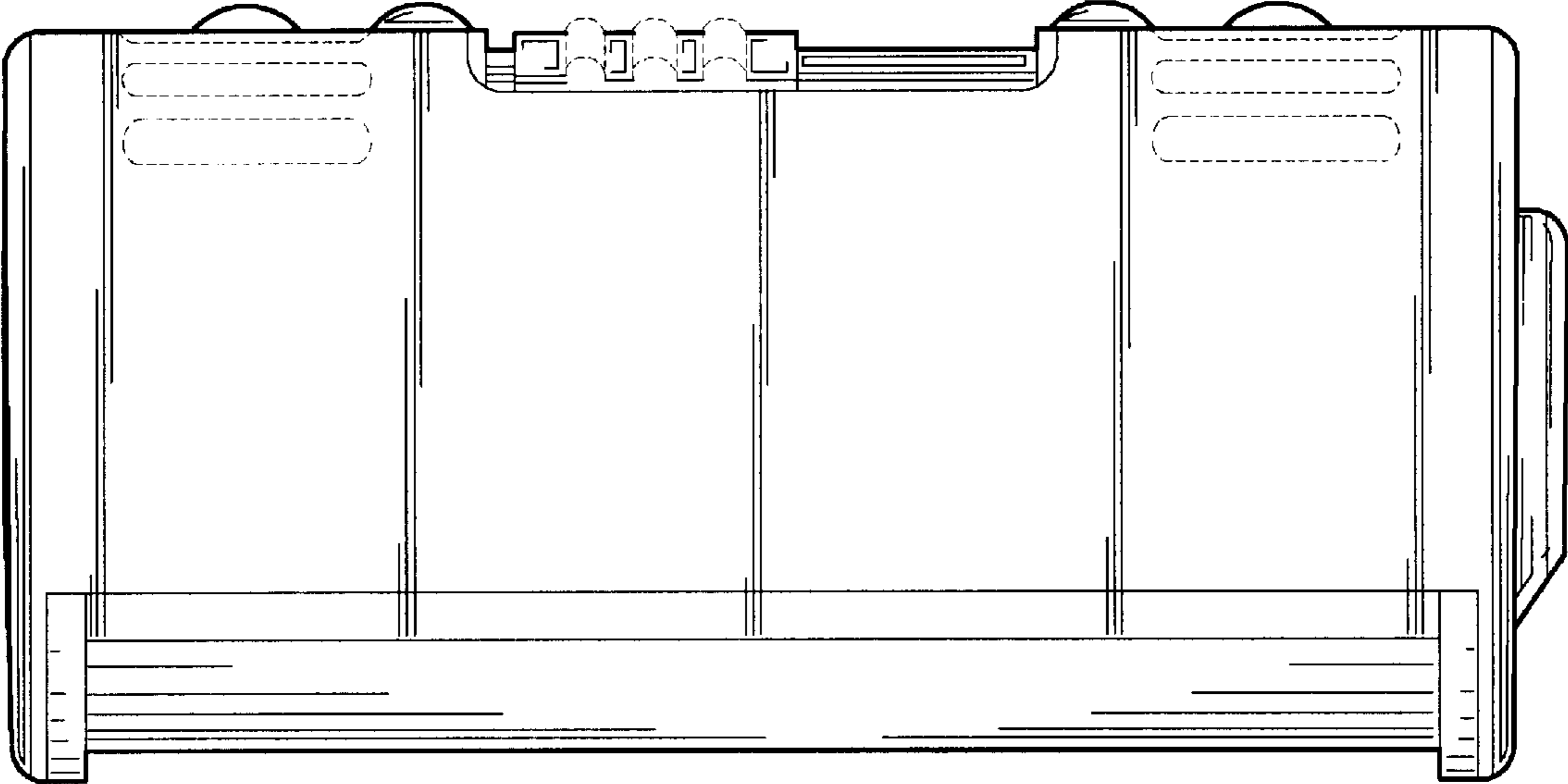


FIG - 5

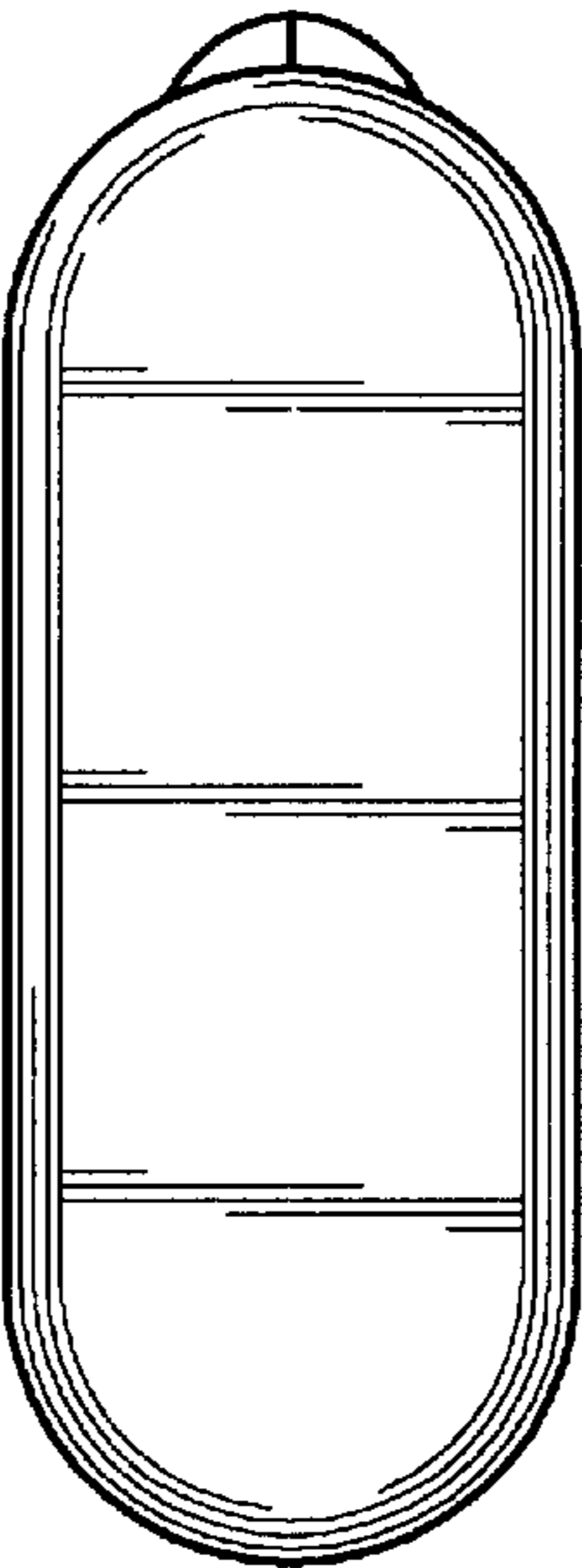


FIG - 6

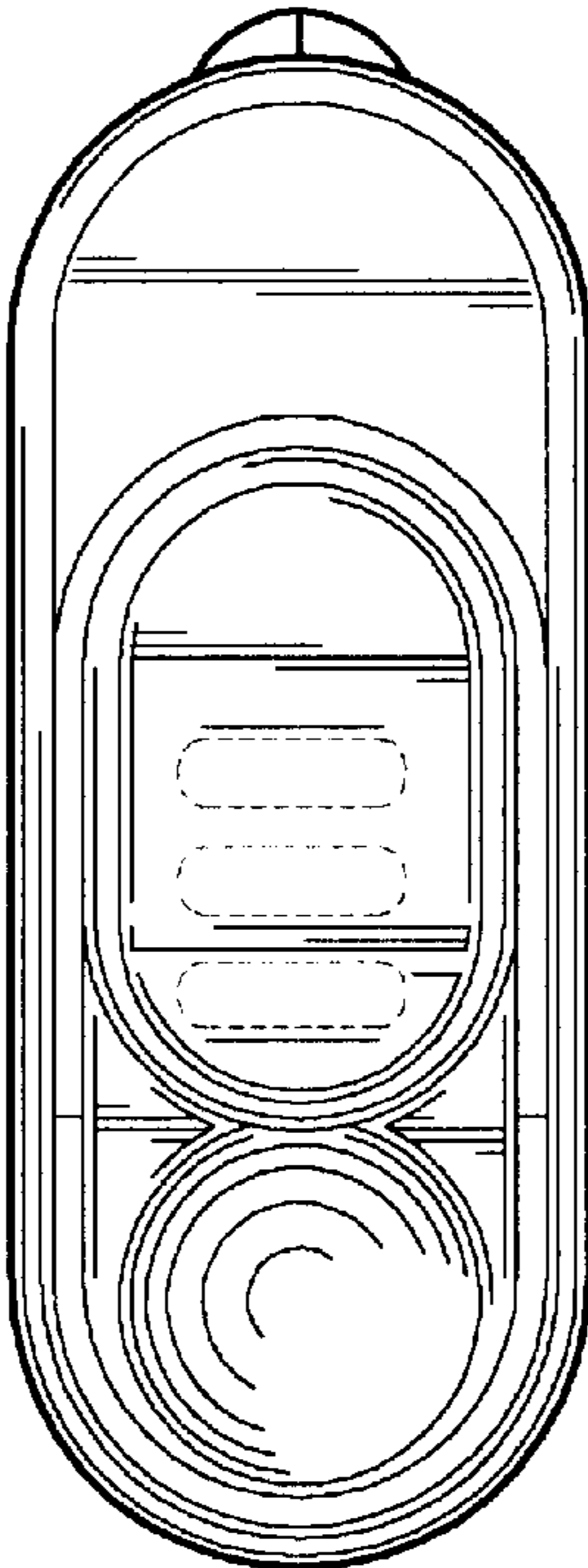


FIG - 7

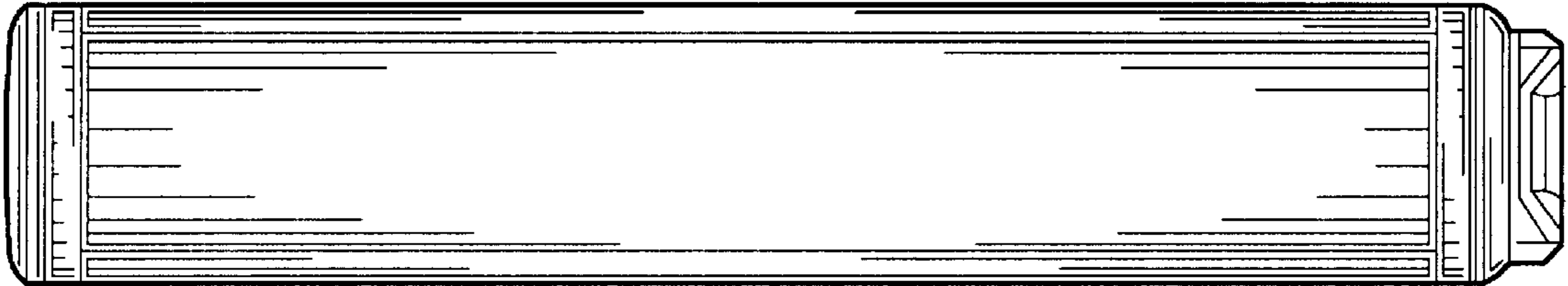


FIG - 8

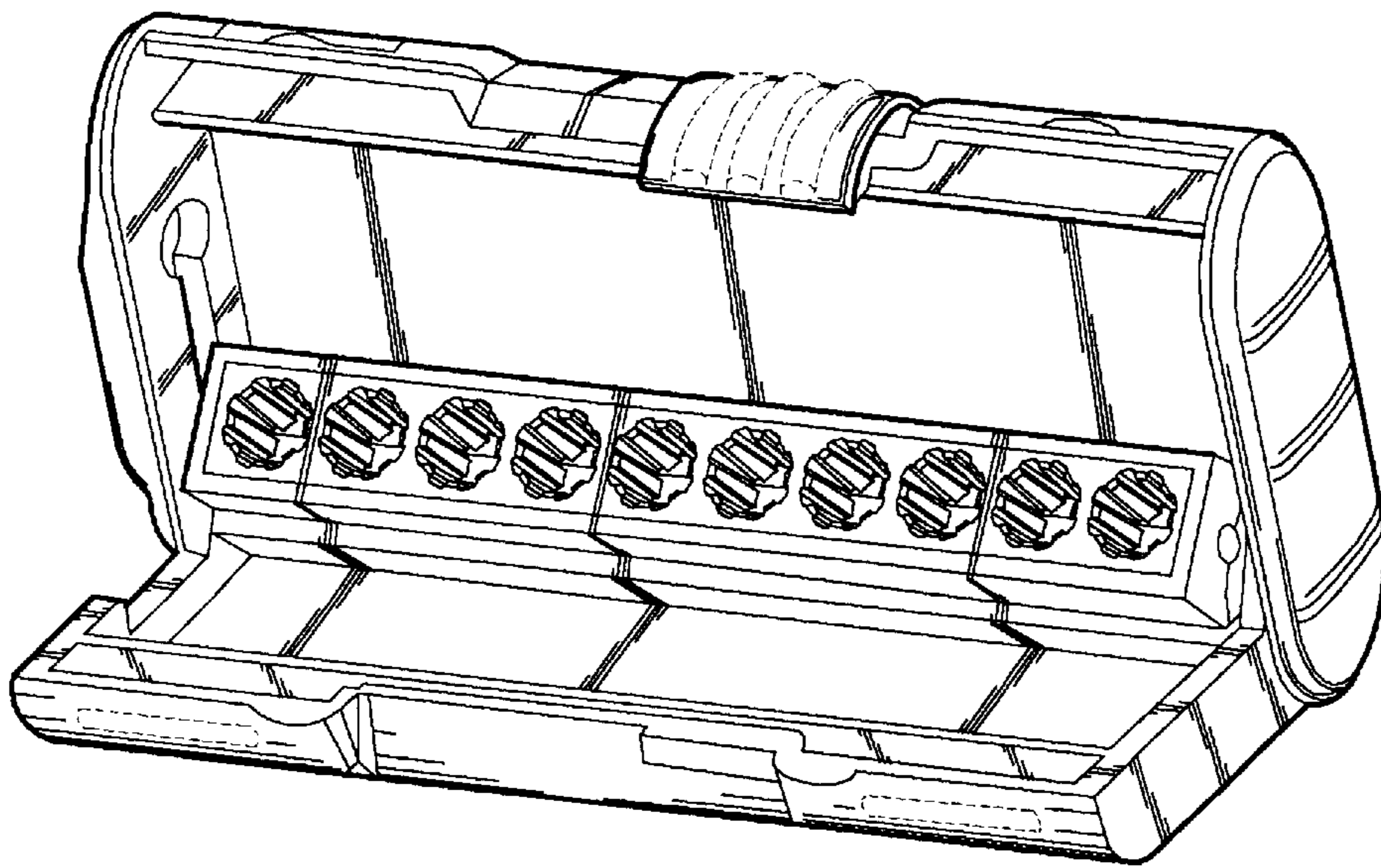


FIG - 9