



US00D516809S

(12) **United States Design Patent**
Tagliati et al.

(10) **Patent No.:** **US D516,809 S**
(45) **Date of Patent:** **** Mar. 14, 2006**

- (54) **INSULATED WINE CARRIER**
- (75) Inventors: **Mario Tagliati**, Thousand Oaks, CA (US); **Kevin Guy**, Simi Valley, CA (US)
- (73) Assignee: **Picnic Time, Inc.**, Moorpark, CA (US)
- (**) Term: **14 Years**
- (21) Appl. No.: **29/224,681**
- (22) Filed: **Mar. 3, 2005**

- 4,428,484 A * 1/1984 Rattay et al. 206/548
- D284,062 S * 6/1986 Ryan, Jr. D7/605
- D351,499 S * 10/1994 Gay et al. D3/201
- D375,660 S * 11/1996 Parris D7/628
- D421,182 S * 2/2000 Lee D3/276
- 6,053,317 A * 4/2000 Morris et al. 206/433

* cited by examiner

Primary Examiner—Philip S. Hyder
(74) *Attorney, Agent, or Firm*—Trojan Law Offices

(57) **CLAIM**

The ornamental design for a insulated wine carrier, substantially as shown and described.

Related U.S. Application Data

- (62) Division of application No. 29/204,594, filed on Apr. 30, 2004.
- (51) **LOC (8) Cl.** **03-01**
- (52) **U.S. Cl.** **D3/273; D3/294**
- (58) **Field of Classification Search** D3/273, D3/276, 281, 291, 294, 269; D7/605, 607; 206/427, 433, 521; 190/100, 109
See application file for complete search history.

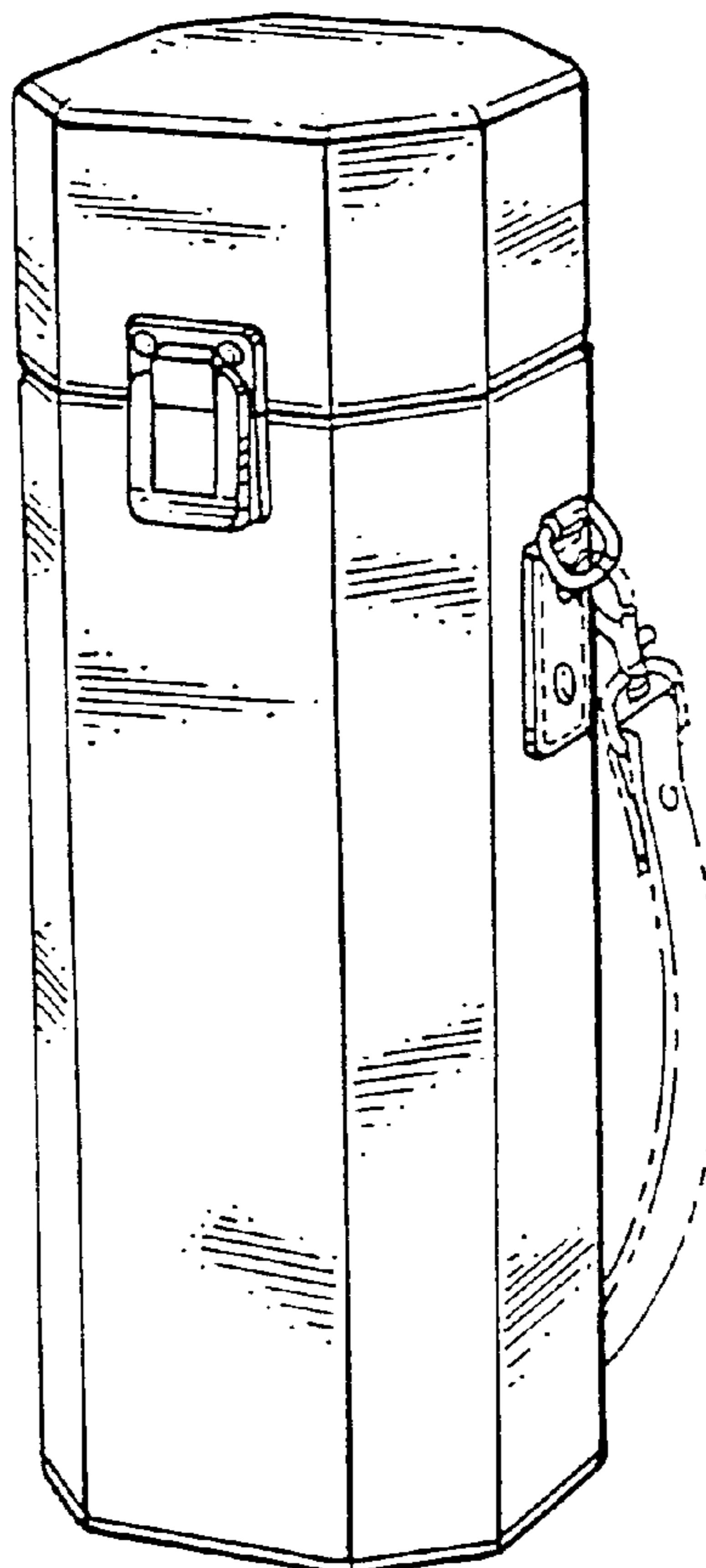
DESCRIPTION

FIG. 1 is a perspective view of an insulated wine carrier showing our new design;
FIG. 2 is a front elevation view thereof;
FIG. 3 is a right side elevation view thereof, the left side being a mirror image thereof;
FIG. 4 is a rear elevation view thereof;
FIG. 5 is a top plan view thereof; and,
FIG. 6 is a bottom plan view thereof.
The broken line showing of the strap in FIG. 1 is for illustrative purposes only and forms no part of the claimed design.

(56) **References Cited**
U.S. PATENT DOCUMENTS

- D263,176 S * 3/1982 Harrington D3/285

1 Claim, 2 Drawing Sheets



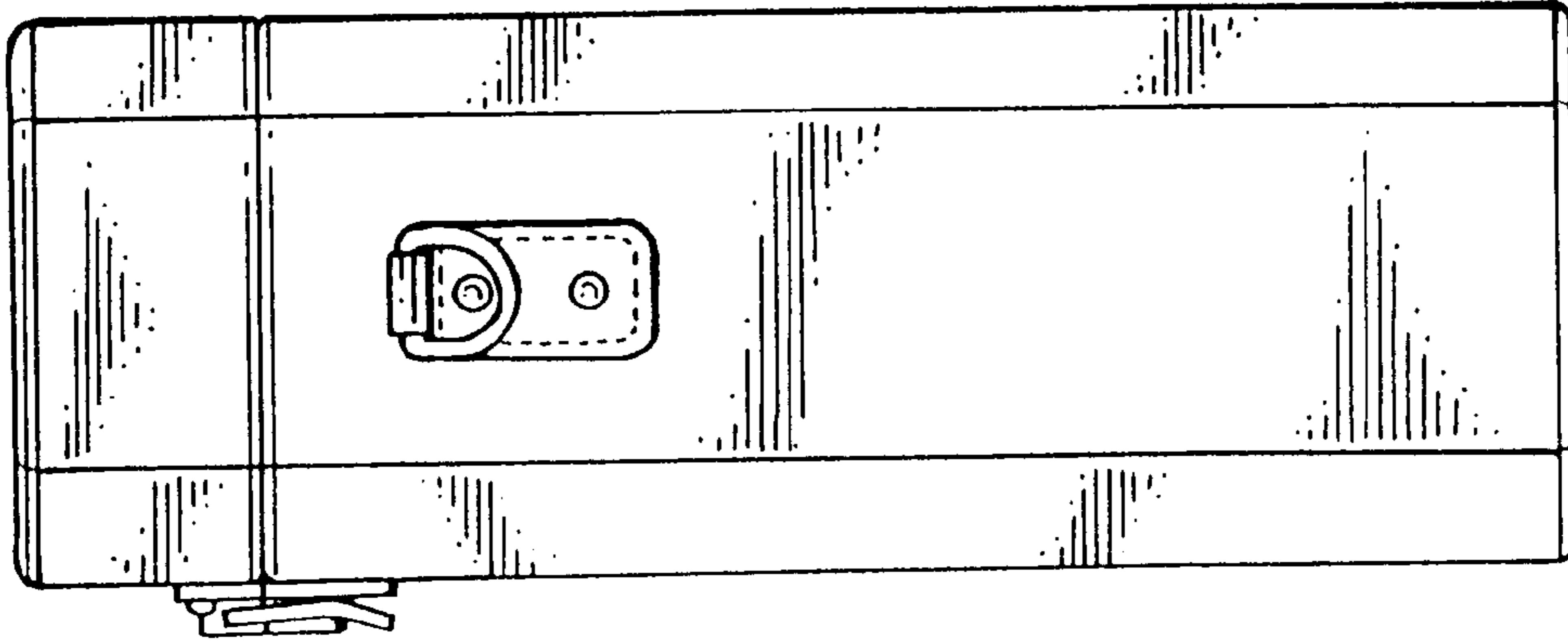


Fig. 3.

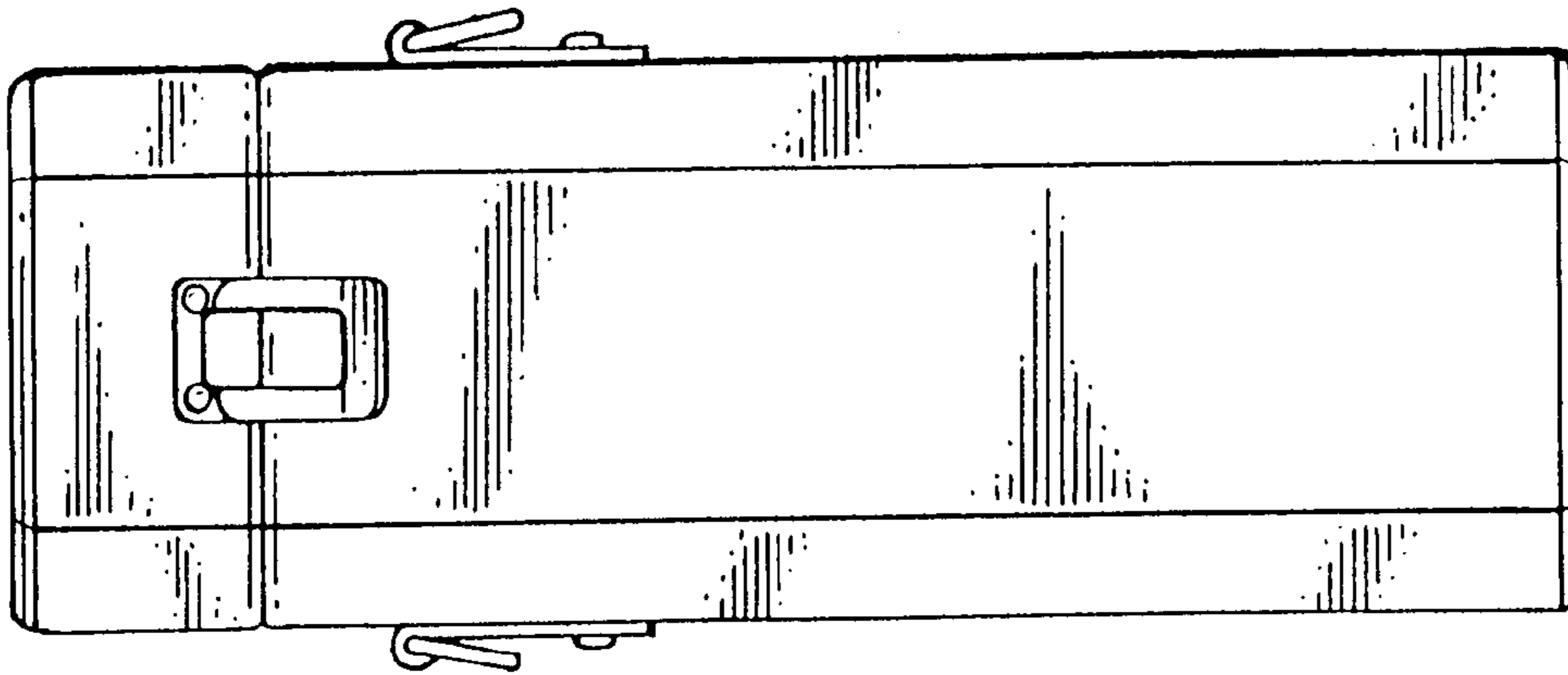


Fig. 2.

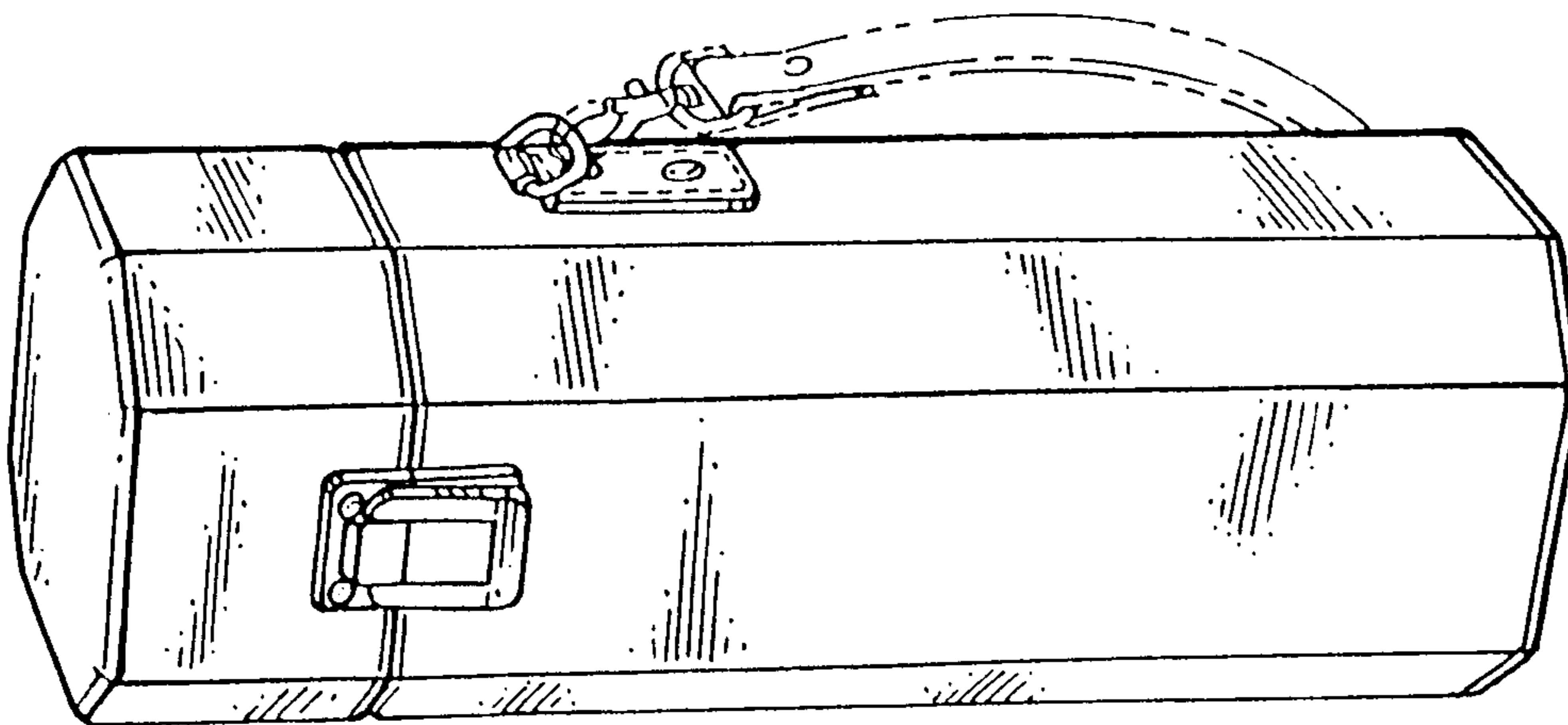


Fig. 1.

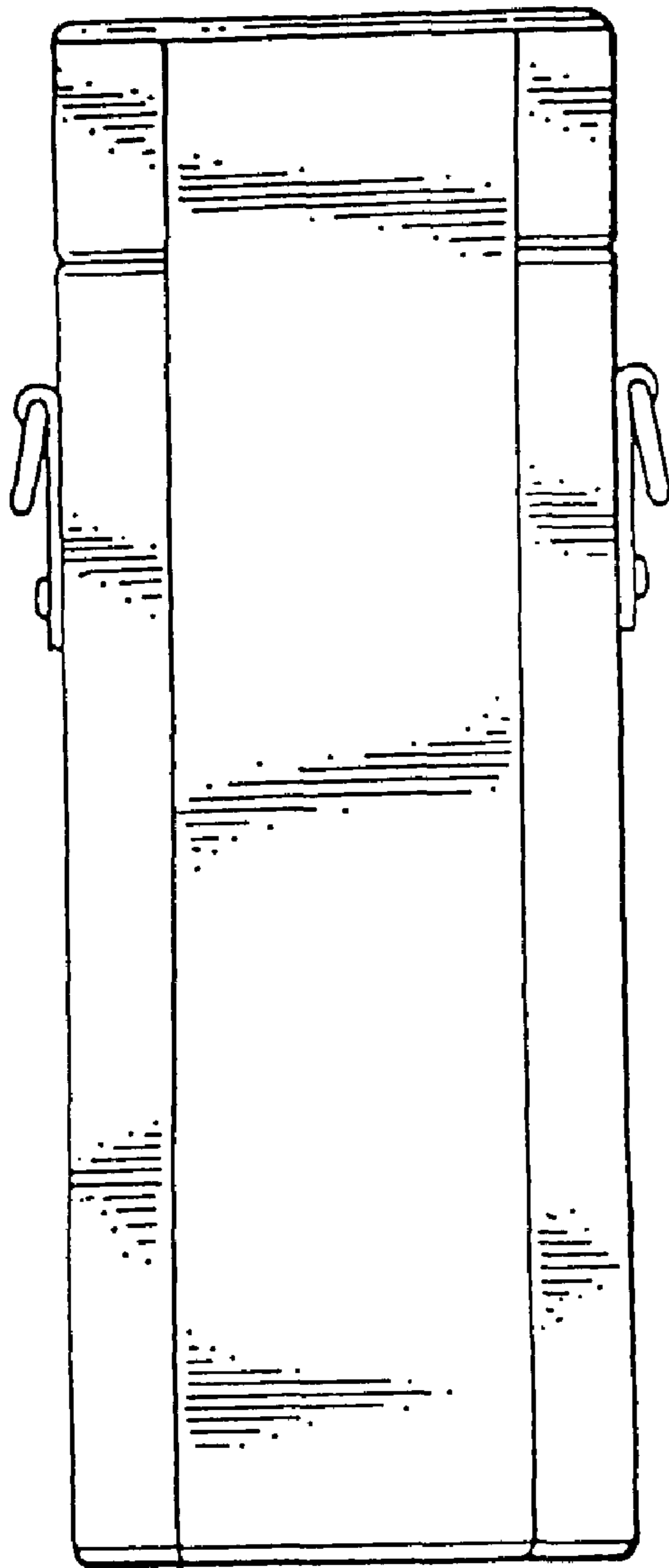


Fig. 4.

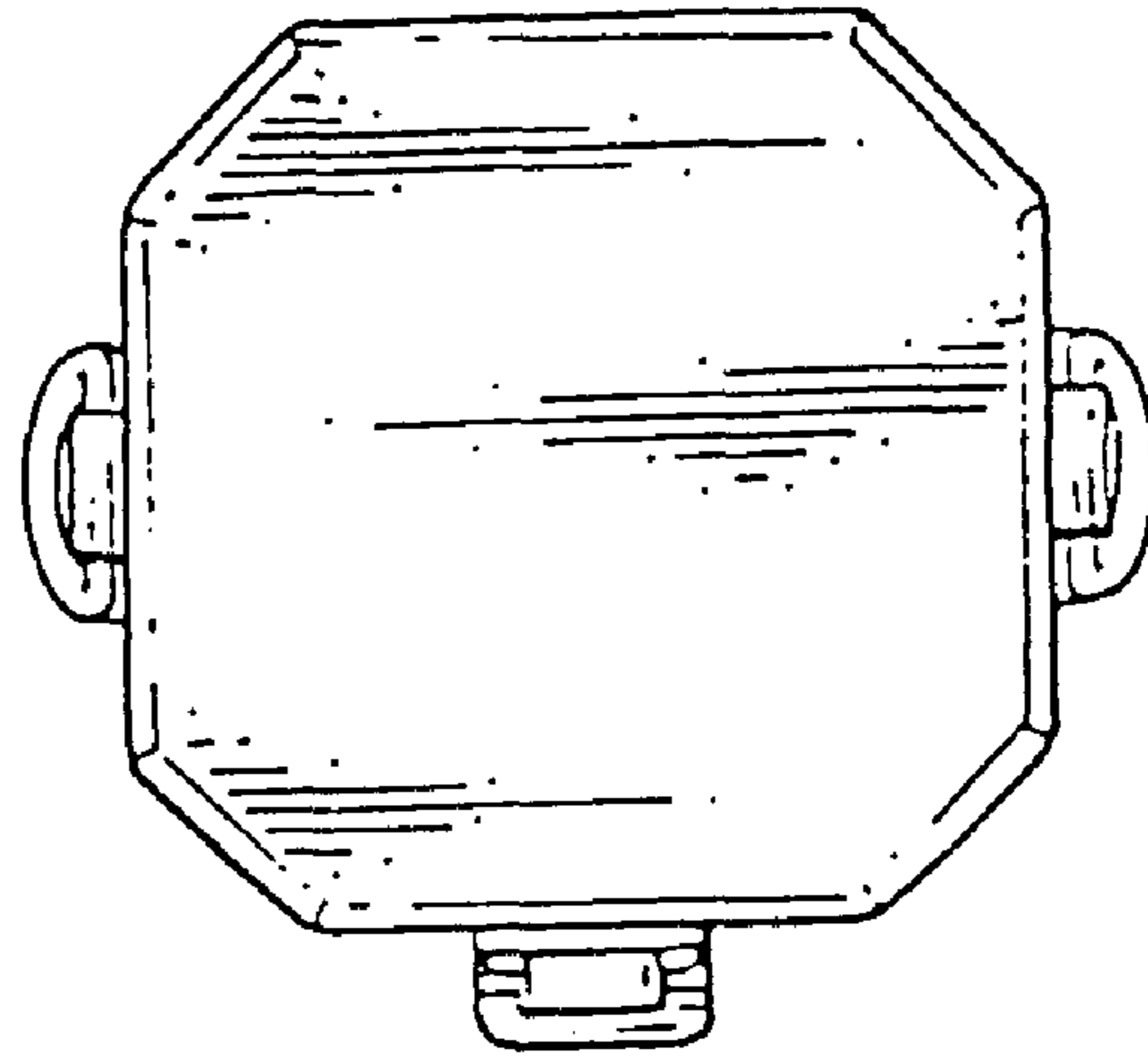


Fig. 5.

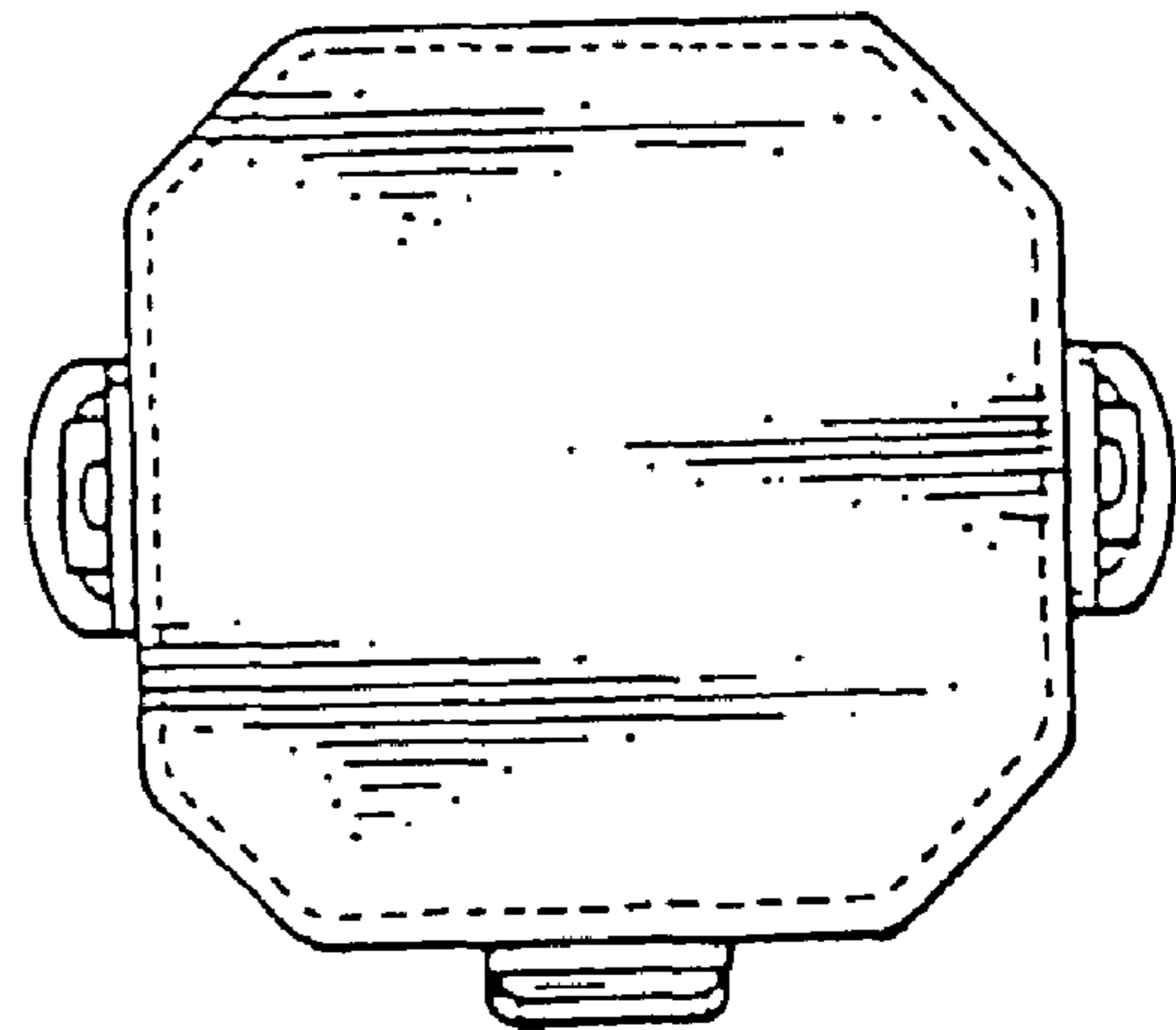


Fig. 6.