



US00D516808S

(12) **United States Design Patent** (10) **Patent No.:** **US D516,808 S**
Brunson et al. (45) **Date of Patent:** **** Mar. 14, 2006**

(54) **TOOL CONTAINER**
 (75) Inventors: **Mark E. Brunson**, Bel Air, MD (US);
David Wikle, York, PA (US)
 (73) Assignee: **Black & Decker Inc.**, Newark, DE
 (US)
 (**) Term: **14 Years**
 (21) Appl. No.: **29/217,517**
 (22) Filed: **Nov. 18, 2004**
 (51) **LOC (8) Cl.** **03-01**
 (52) **U.S. Cl.** **D3/273; D3/905**
 (58) **Field of Classification Search** **D3/273,**
D3/276, 281-282, 284, 291, 294-295, 905;
206/349, 372-373, 378
 See application file for complete search history.

(56) **References Cited**

U.S. PATENT DOCUMENTS

337,888	A	3/1886	Swan
416,425	A	12/1889	Schmitt
470,567	A	3/1892	Hitch
498,455	A	5/1893	Bartlett
1,849,565	A	3/1932	Brady
1,927,110	A	9/1933	Bannister et al.
2,012,800	A	8/1935	Allen
2,035,033	A	3/1936	Wakefield
2,487,174	A	11/1949	Petre
2,508,951	A	5/1950	Kazimier
2,601,101	A	6/1952	Derham
D167,868	S	9/1952	Selikoff et al.
D178,627	S	9/1956	Baratelli
2,792,934	A	5/1957	Rocchetti
2,844,244	A	7/1958	Hanson

(Continued)

FOREIGN PATENT DOCUMENTS

DE	1085810	7/1960
DE	1814157	12/1968
DE	2149305	10/1971
DE	3150873	A1 12/1981

DE	G85006459	1/1985
DE	8515834.8	5/1985
DE	8602551.1	1/1986
DE	2714789 C2	5/1987
DE	8814319.8	11/1988
DE	8906411.9	5/1989
DE	8907073.9	6/1989
DE	9312160.1	8/1993
DE	29517259 U1	10/1995
DE	29702619 U1	2/1997
EP	0620159 B1	3/1997
WO	WO90/08631	8/1990
WO	WO94/11258	5/1994

Primary Examiner—Philip S. Hyder
Assistant Examiner—RoseLynne Ulm
 (74) *Attorney, Agent, or Firm*—Harness, Dickey & Pierce,
 P.L.C.

(57) **CLAIM**

The ornamental design for the tool container, as shown and described.

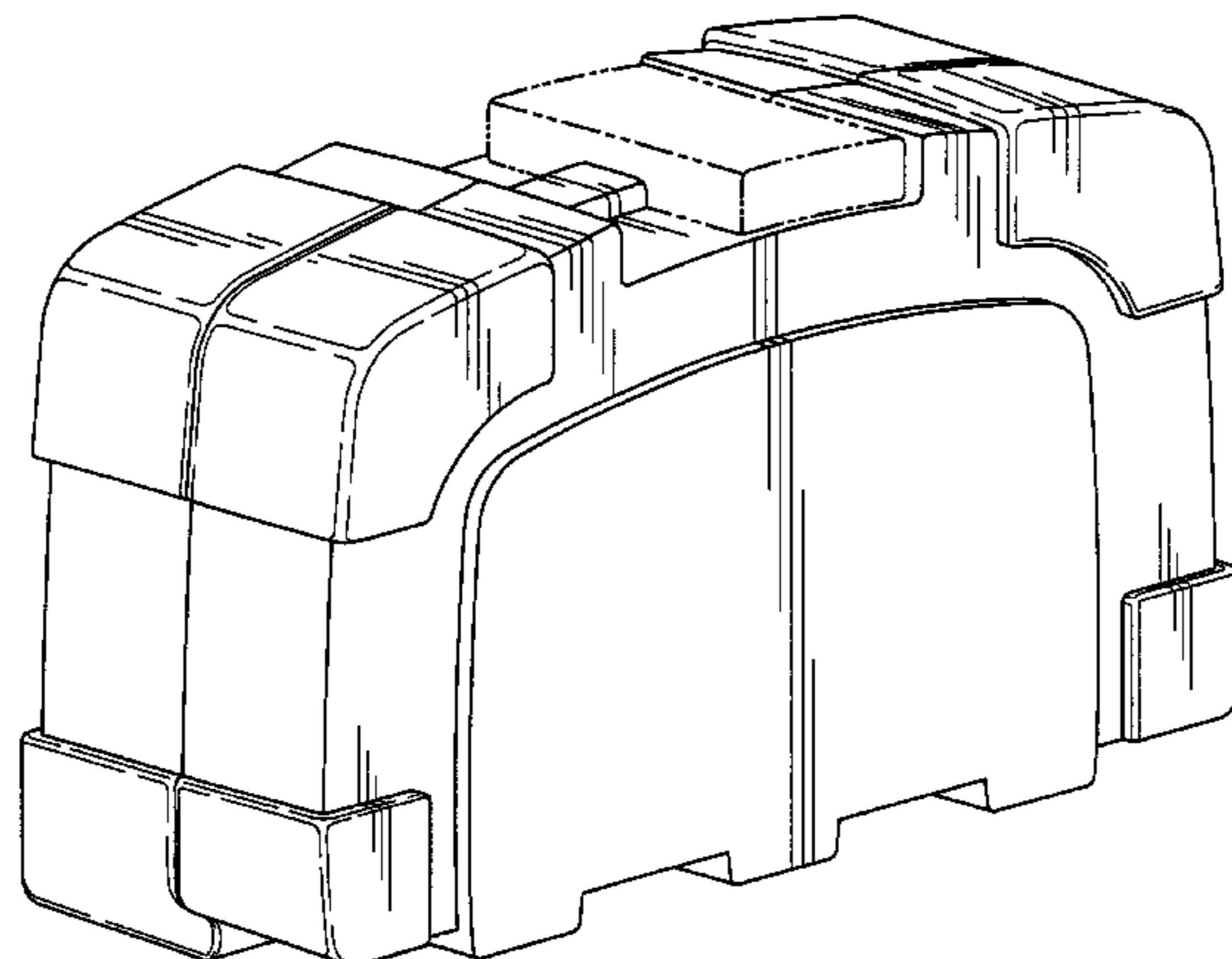
DESCRIPTION

FIG. 1 is a perspective view illustrating a tool container in accordance with the present invention;
 FIG. 2 is a front view illustrating the tool container of FIG. 1;
 FIG. 3 is a back view illustrating the tool container of FIG. 1;
 FIG. 4 is a top view illustrating the tool container of FIG. 1;
 FIG. 5 is a bottom view illustrating the tool container of FIG. 1;
 FIG. 6 is a right side view illustrating the tool container of FIG. 1; and,
 FIG. 7 is a left side view illustrating the tool container of FIG. 1.

The broken lines showing various portions such as the sliding locking mechanism are for illustrative purposes only and form no part of the claimed design.

The various portions, such as the sliding locking mechanism, that are shown in dashed lines in the drawings form no part of the present invention.

1 Claim, 3 Drawing Sheets



US D516,808 S

U.S. PATENT DOCUMENTS

D183,777 S	10/1958	Weiss	5,341,926 A	8/1994	Leben
2,880,857 A	4/1959	Parsons et al.	5,346,063 A	9/1994	Chow
3,018,876 A	1/1962	Huot	5,346,677 A	9/1994	Risk
3,154,192 A	10/1964	Cowley	5,368,164 A	11/1994	Bennett et al.
3,186,197 A	6/1965	Gehrie	5,383,091 A	1/1995	Snell
3,276,847 A	10/1966	Duff et al.	5,398,810 A	3/1995	Yao Wang
3,346,137 A	10/1967	Ricci	D356,891 S	4/1995	Hobson
3,367,483 A	2/1968	Studen	5,409,560 A	4/1995	Hammer et al.
3,370,697 A	2/1968	Levey et al.	D358,257 S	5/1995	Sidabras et al.
3,383,009 A	5/1968	Weikert	5,429,235 A	7/1995	Chen
3,426,890 A	2/1969	Bayer	5,433,929 A	7/1995	Riihimaki et al.
3,459,327 A	8/1969	Harris	5,469,961 A	11/1995	Chang
3,499,525 A	3/1970	Kanter	5,484,057 A	1/1996	Tzu-Ching
3,583,556 A	6/1971	Wagner	5,509,731 A	4/1996	Callahan et al.
D221,317 S	7/1971	Muller	5,520,285 A	5/1996	Mursch et al.
3,698,404 A	10/1972	Greco	5,524,915 A	6/1996	Liu
D229,366 S	11/1973	Yonce	5,525,314 A	6/1996	Hurson
3,836,043 A	9/1974	Levin	5,526,929 A	6/1996	Wei
D234,273 S	* 2/1975	Wilson et al. D3/272	5,535,881 A	7/1996	Krivec
3,904,034 A	9/1975	Saunders	5,551,795 A	9/1996	Engibarov
4,048,051 A	9/1977	Gretz	5,553,710 A	9/1996	Takama
4,210,252 A	7/1980	Cooke et al.	D374,988 S	10/1996	Hillinger
4,213,532 A	7/1980	Eggert et al.	5,560,572 A	10/1996	Osborn et al.
4,216,862 A	8/1980	Daenen	5,562,208 A	10/1996	Hasler et al.
4,253,830 A	3/1981	Kazen et al.	5,570,784 A	11/1996	Sidabras et al.
4,260,057 A	4/1981	Wall-Andersen	5,588,240 A	12/1996	Zilliox
D264,396 S	5/1982	Harvey et al.	5,603,415 A	2/1997	Balnis, Jr.
4,340,140 A	7/1982	Wilcox et al.	5,624,037 A	4/1997	Kozo
D269,648 S	7/1983	Wilcox et al.	D379,715 S	6/1997	Yemini
4,489,830 A	12/1984	Charlebois et al.	5,638,838 A	6/1997	Lombardi
4,576,307 A	3/1986	Frydenberg	5,638,964 A	6/1997	Ernst
4,615,464 A	10/1986	Byrns	5,641,066 A	6/1997	Mascaro
4,619,364 A	10/1986	Czopor, Jr.	5,649,657 A	7/1997	Chuang
D287,906 S	1/1987	Tsuji et al.	5,651,941 A	7/1997	Stark et al.
D291,946 S	9/1987	Dottori et al.	D382,115 S	8/1997	Chang
4,714,158 A	12/1987	Oltman et al.	D382,709 S	8/1997	Cuneo
4,884,689 A	12/1989	Su-Chin	D385,109 S	10/1997	Stäaheli
4,930,753 A	6/1990	Alvyn	5,676,254 A	10/1997	Cheng et al.
4,934,549 A	6/1990	Allen	D390,358 S	2/1998	Calmeise
4,958,732 A	9/1990	Rau et al.	D391,321 S	2/1998	Hill
D311,644 S	10/1990	Chapin et al.	5,730,511 A	3/1998	Doan et al.
4,974,740 A	12/1990	Niles et al.	D394,952 S	6/1998	Wei
D314,669 S	2/1991	Kunimune	5,799,797 A	9/1998	Braun
5,025,921 A	6/1991	Gasparaitis et al.	5,803,254 A	9/1998	Vasudeva
5,031,768 A	7/1991	Fischer	D400,011 S	10/1998	Palmer et al.
5,043,974 A	8/1991	Nakagawa	5,826,719 A	10/1998	Chen
5,050,733 A	9/1991	Brennan	D400,709 S	11/1998	Chang
5,056,661 A	10/1991	Balzano	5,915,553 A	6/1999	Brown et al.
5,114,007 A	5/1992	Chen	D417,077 S	11/1999	Sheu
D328,188 S	* 7/1992	Jacobsen et al. D3/270	D418,977 S	1/2000	Streich
D328,189 S	7/1992	Hillinger	D419,768 S	* 2/2000	Richardson et al. D3/273
5,133,455 A	7/1992	Chow	D437,684 S	* 2/2001	Streich et al. D3/273
D329,331 S	9/1992	Hobson	6,213,296 B1	4/2001	Streich et al.
5,156,271 A	10/1992	Toner	D447,634 S	9/2001	Snider
D333,727 S	3/1993	Schurman	D448,167 S	* 9/2001	Pangerc et al. D3/294
5,217,115 A	6/1993	Purkapile	D477,714 S	7/2003	Cunningham et al.
5,222,619 A	6/1993	Gregory	D477,912 S	* 8/2003	Cunningham et al. D3/273
5,248,030 A	9/1993	Tarozzi	D481,868 S	11/2003	Cunningham et al.
5,248,033 A	9/1993	Kos et al.	D482,869 S	* 12/2003	Chen D3/282
D343,063 S	1/1994	Chen	D490,980 S	* 6/2004	Concari D3/318
D343,120 S	1/1994	Lapsker et al.	6,755,302 B1	* 6/2004	Streich et al. 206/373
D345,650 S	4/1994	Boyd	D502,316 S	* 3/2005	Chen D3/273
D347,114 S	5/1994	Tengvall	2004/0144671 A1	7/2004	Hallee et al.
5,320,223 A	6/1994	Allen			

* cited by examiner

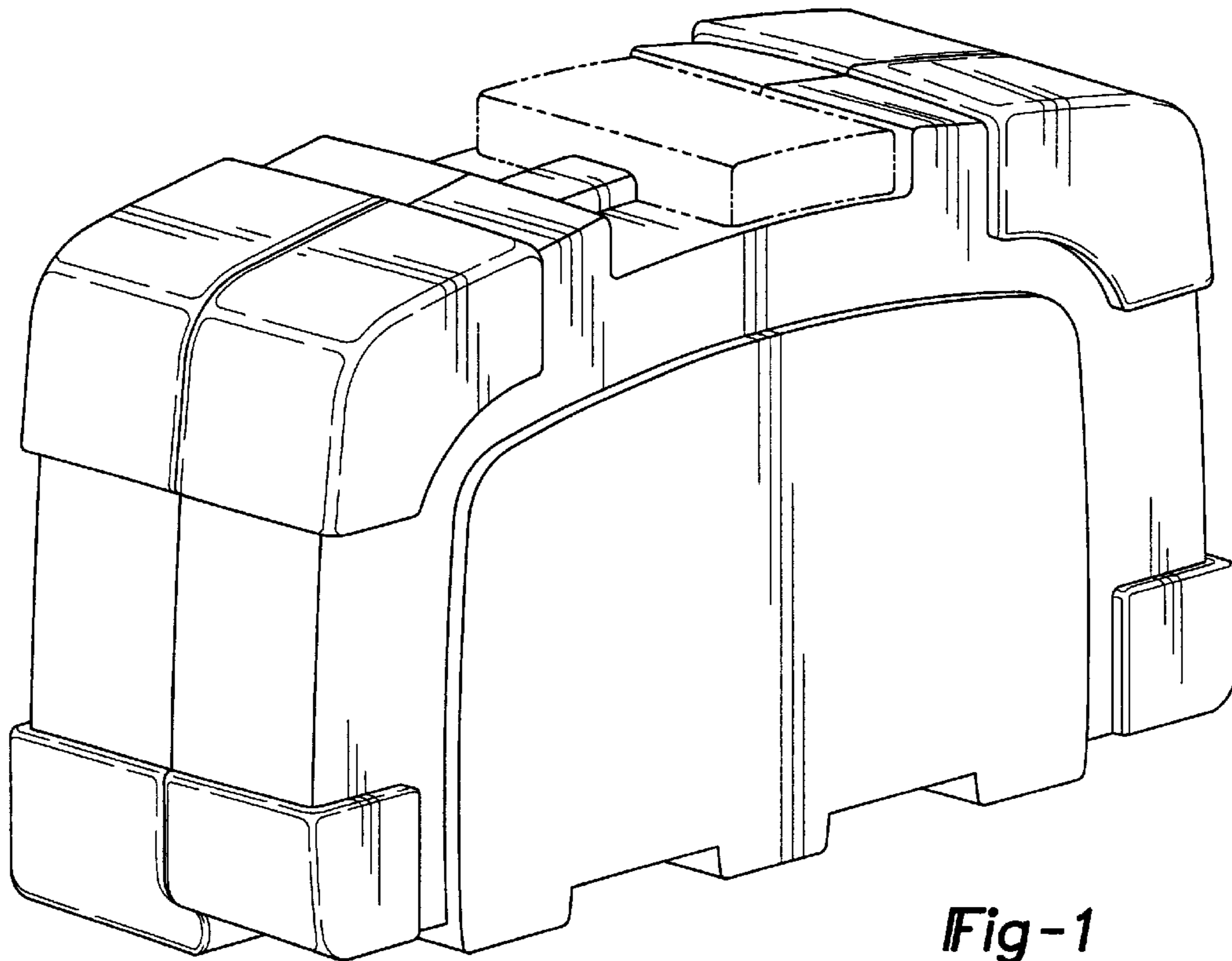


Fig-1

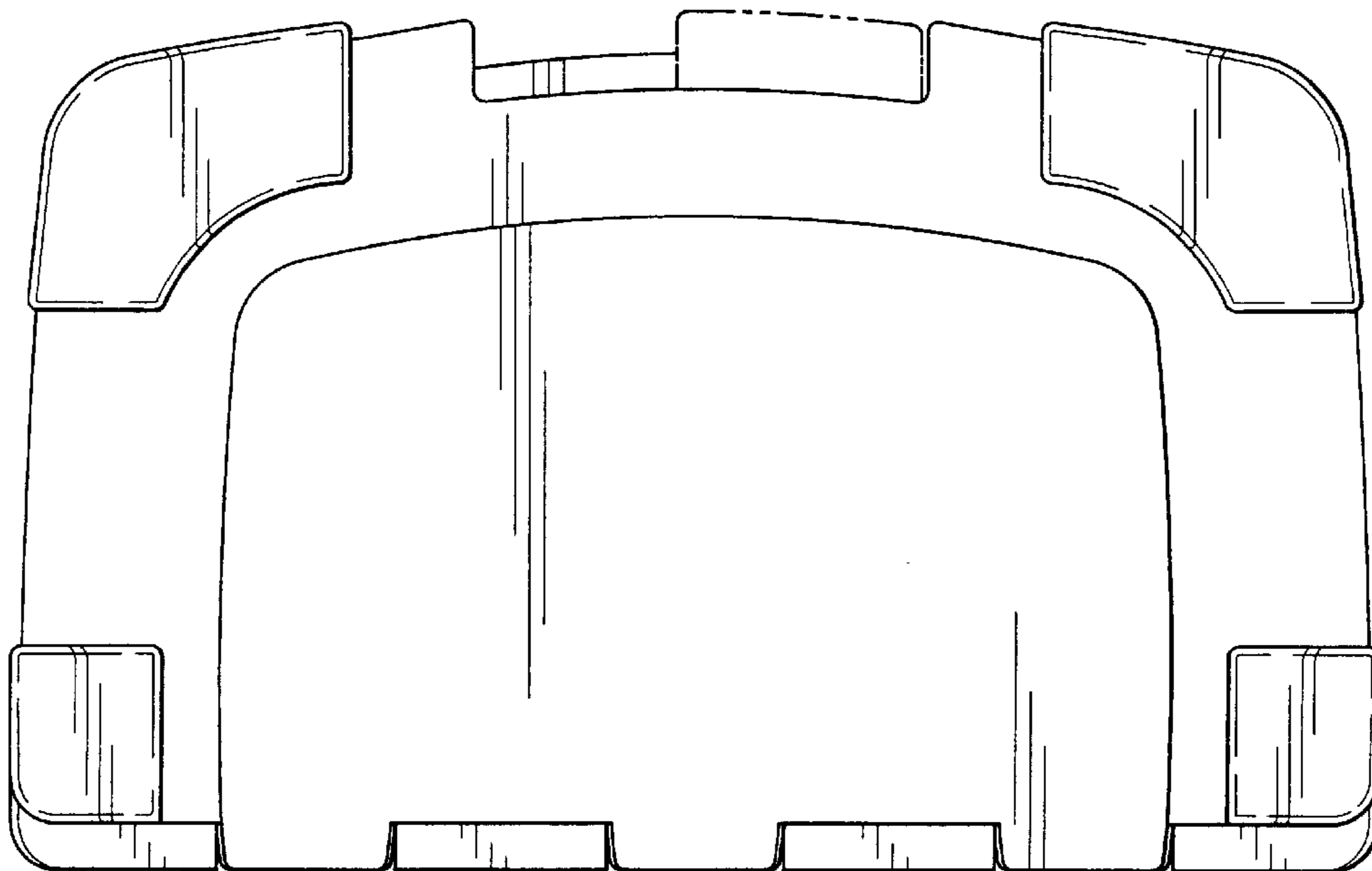


Fig-2

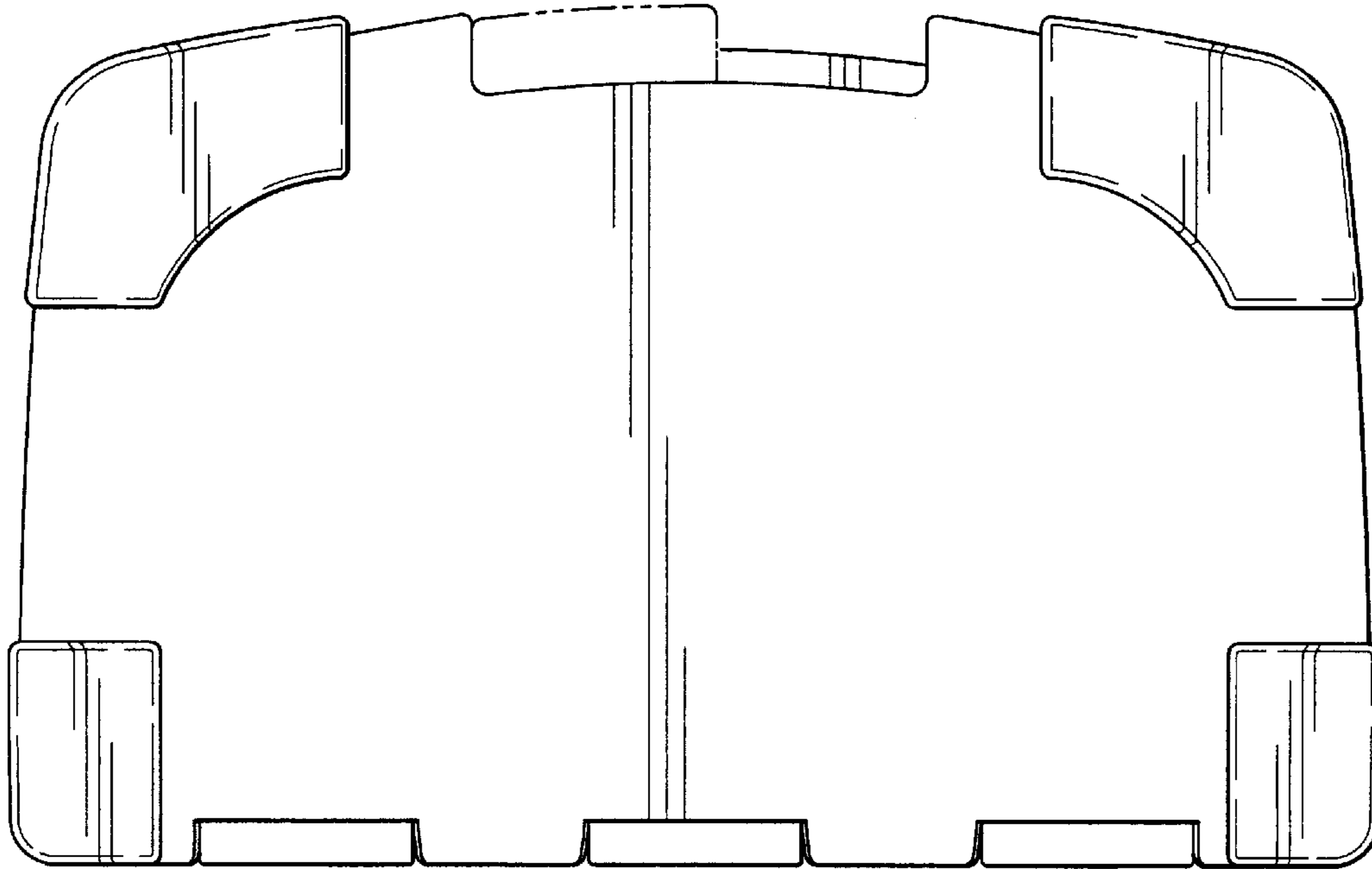


Fig-3

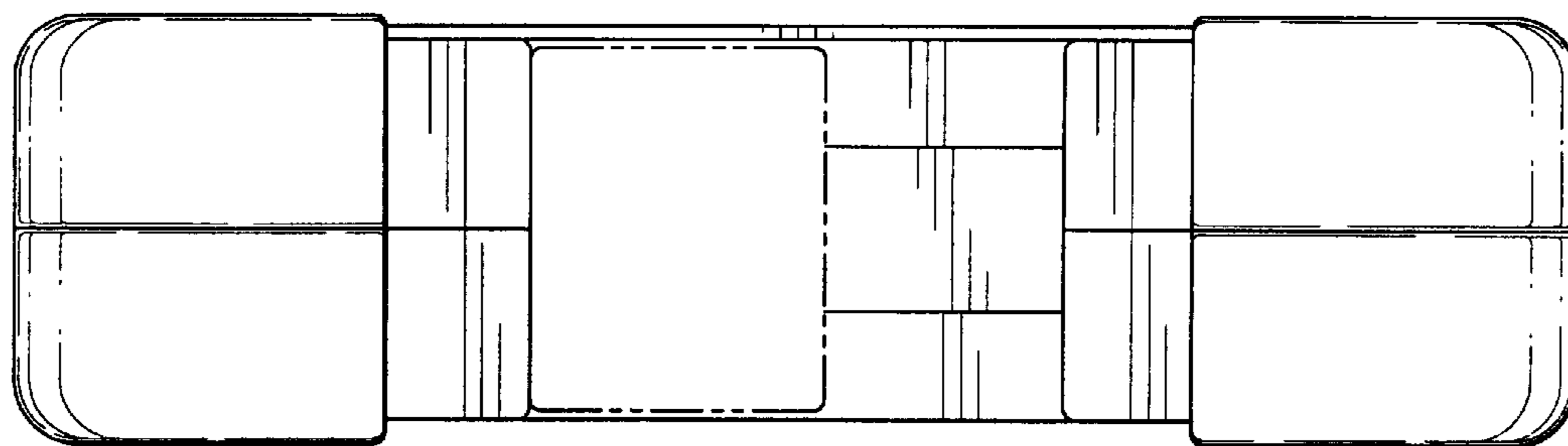


Fig-4

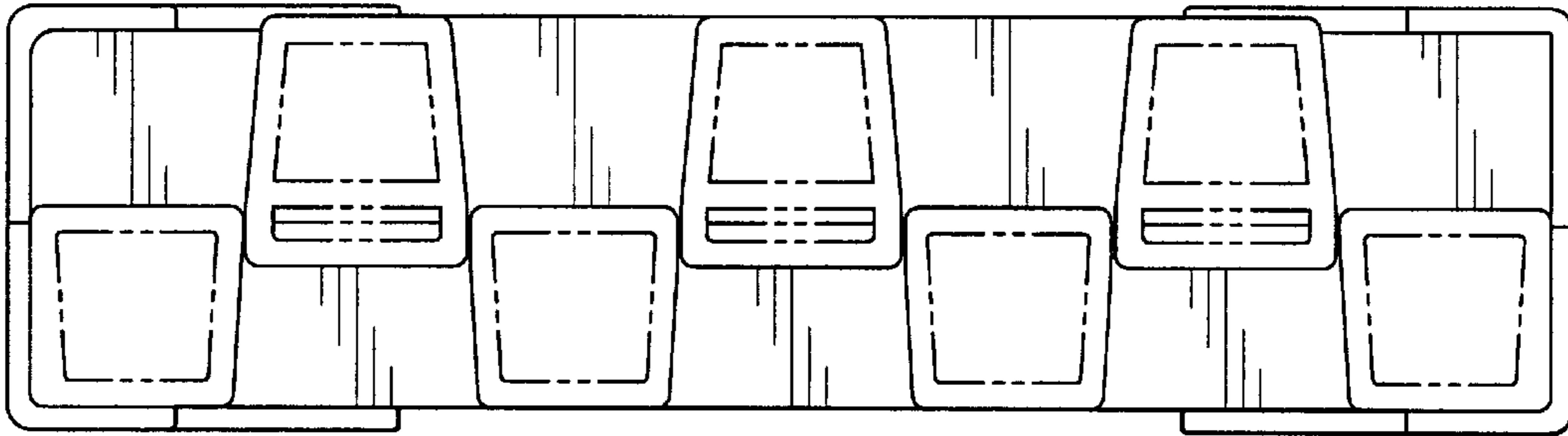


Fig-5

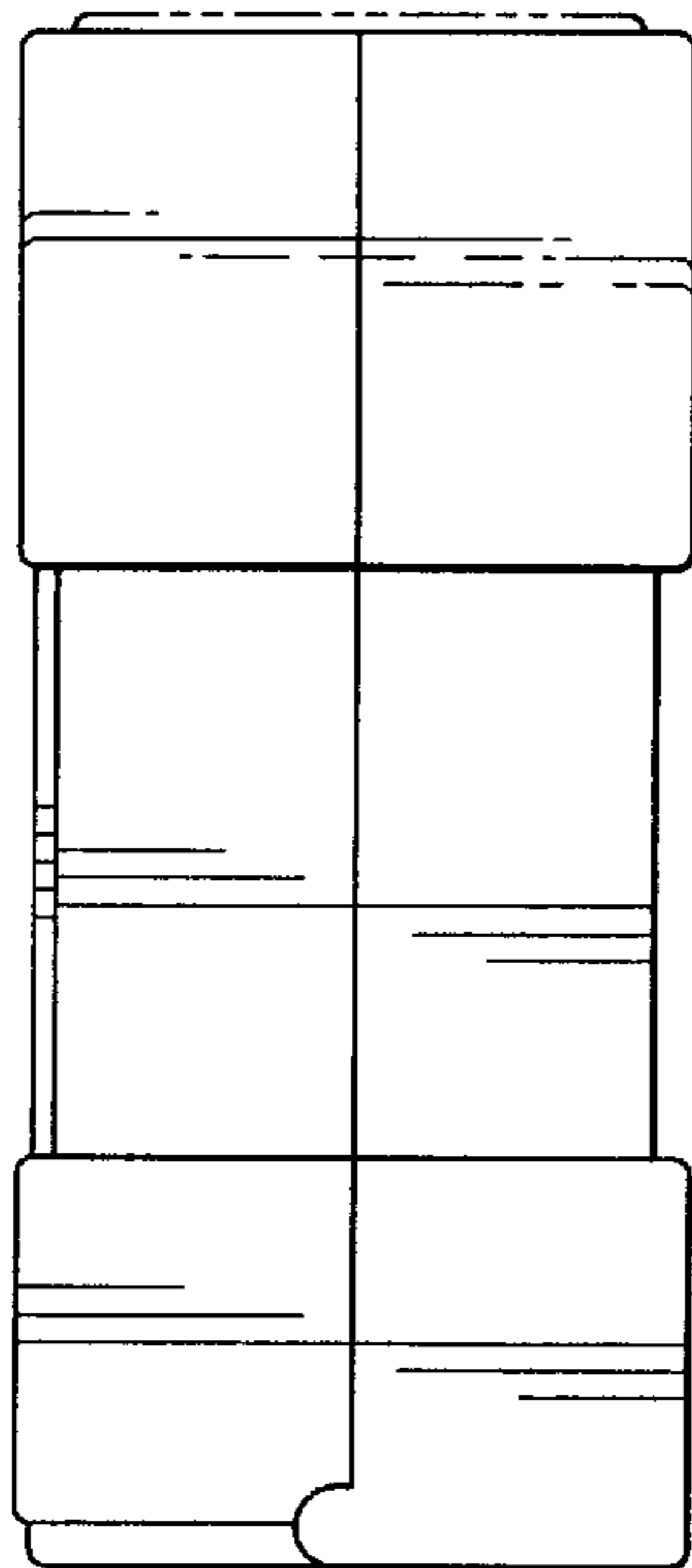


Fig-6

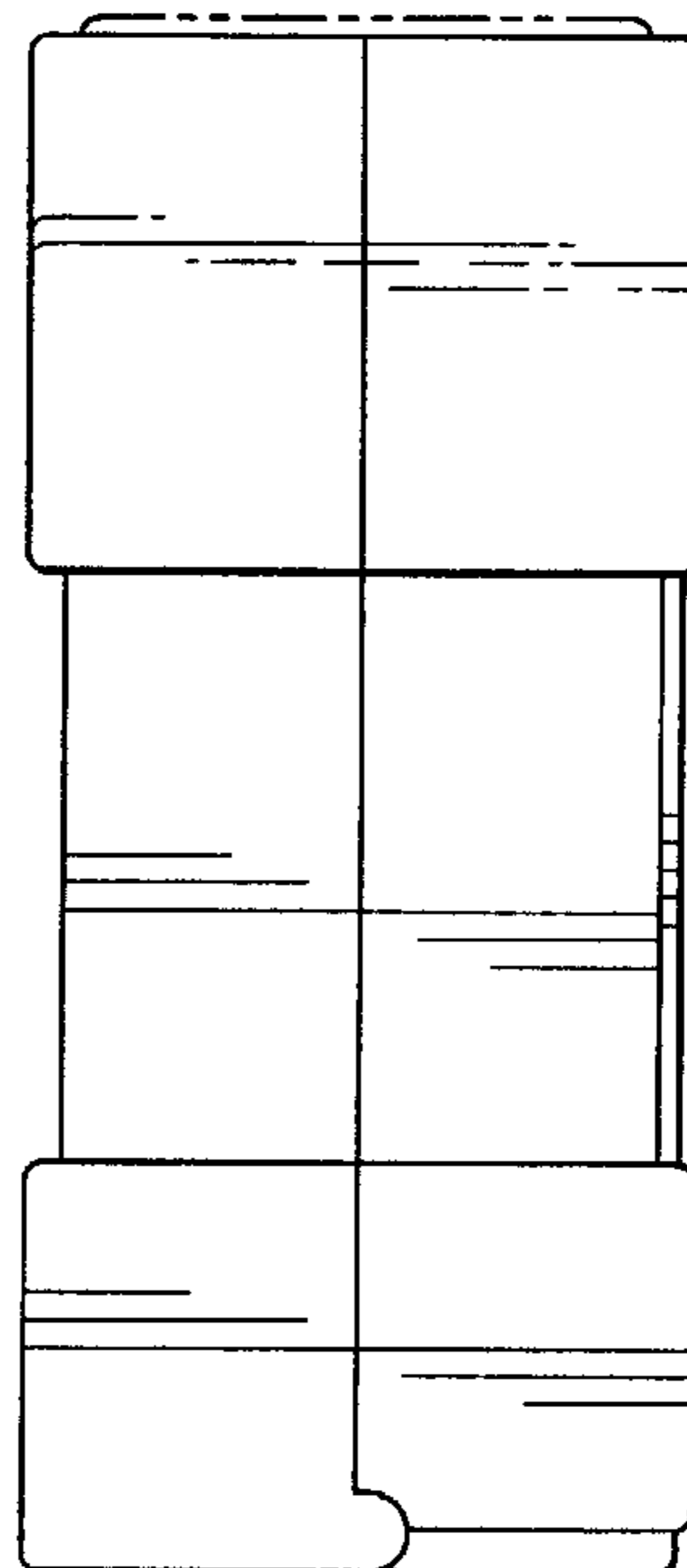


Fig-7