



US00D516800S

(12) **United States Design Patent**  
**Bacon**

(10) **Patent No.:** **US D516,800 S**  
(45) **Date of Patent:** **\*\* Mar. 14, 2006**

(54) **CRUTCH APPARATUS**

(76) **Inventor:** **Kenneth R. Bacon**, 4509 Plum St.,  
Zephyrhills, FL (US) 33542

(\*\*) **Term:** **14 Years**

(21) **Appl. No.:** **29/227,946**

(22) **Filed:** **Apr. 19, 2005**

(51) **LOC (8) Cl.** ..... **03-03**

(52) **U.S. Cl.** ..... **D3/8**

(58) **Field of Classification Search** ..... 135/65,  
135/68, 72, 74, 75, 77, 80, 910, 911, 85, 912,  
135/66; D8/300, 303; 362/101, 102; D3/5-17  
See application file for complete search history.

(56) **References Cited**

**U.S. PATENT DOCUMENTS**

4,141,375	A	*	2/1979	Tykwinski	.....	135/66
4,254,948	A	*	3/1981	Jacobs	.....	482/68
4,291,715	A	*	9/1981	Monte	.....	135/68
D291,148	S	*	8/1987	Rizzo	.....	D3/7
4,924,894	A	*	5/1990	Martinez	.....	135/65
D361,655	S	*	8/1995	Lunceford	.....	D3/8

D362,506	S		9/1995	Bieri	
5,746,236	A	*	5/1998	Tilsley et al.	..... 135/66
D419,288	S	*	1/2000	Hartfield	..... D3/7
6,494,919	B1	*	12/2002	Matthews	..... 623/32

\* cited by examiner

*Primary Examiner*—Sandar S. Snapp  
(74) *Attorney, Agent, or Firm*—Crossley Patent Law; Mark  
Ashley Crossley

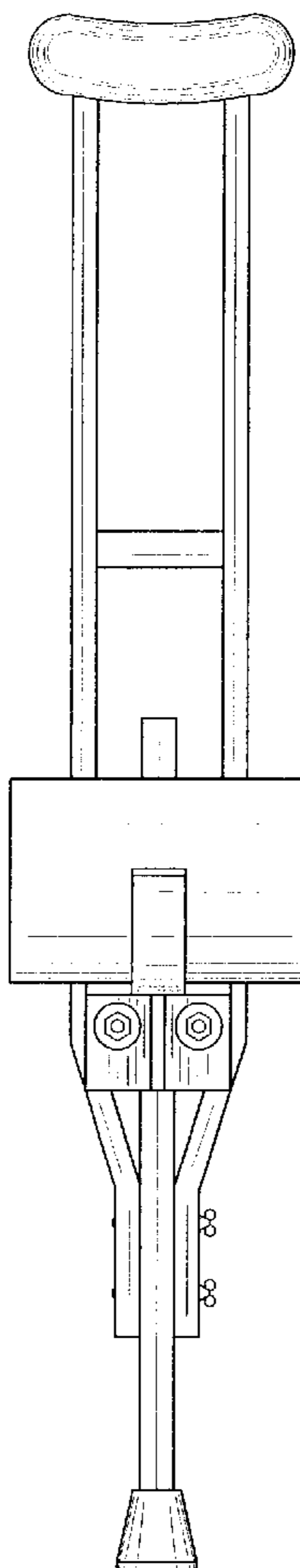
(57) **CLAIM**

The ornamental design for a crutch apparatus, as shown and described.

**DESCRIPTION**

FIG. 1 is a front elevation view of a crutch apparatus showing my new design;  
FIG. 2 is a rear elevation view;  
FIG. 3 is a left side elevation view;  
FIG. 4 is a right side elevation view;  
FIG. 5 is a top plan view; and,  
FIG. 6 is a bottom plan view of a crutch apparatus showing my new design.

**1 Claim, 3 Drawing Sheets**



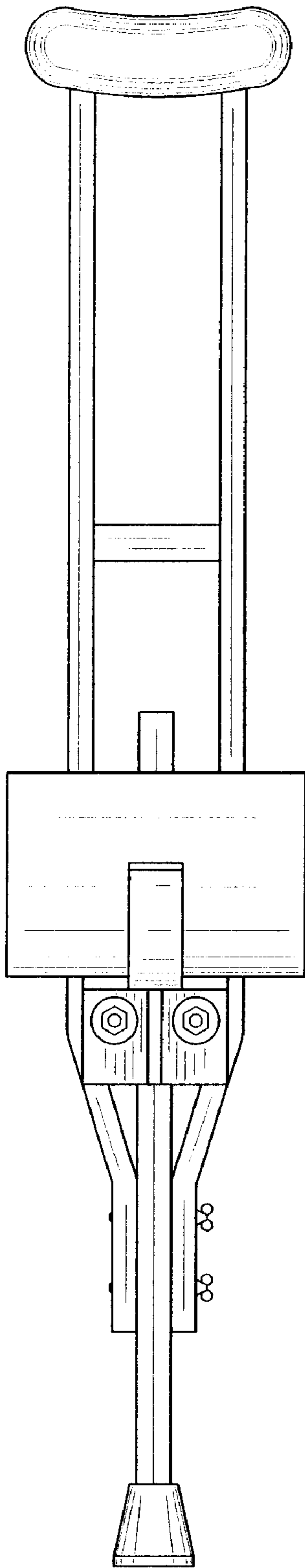


FIG. 1

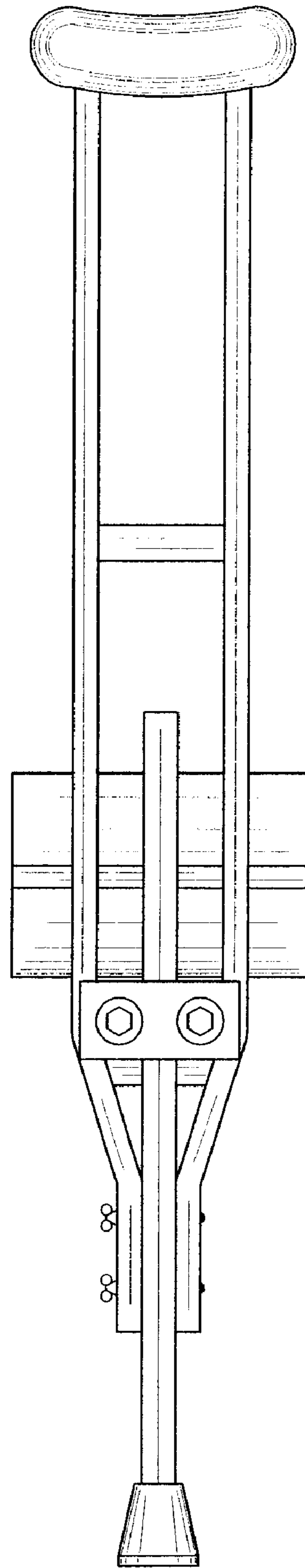


FIG. 2

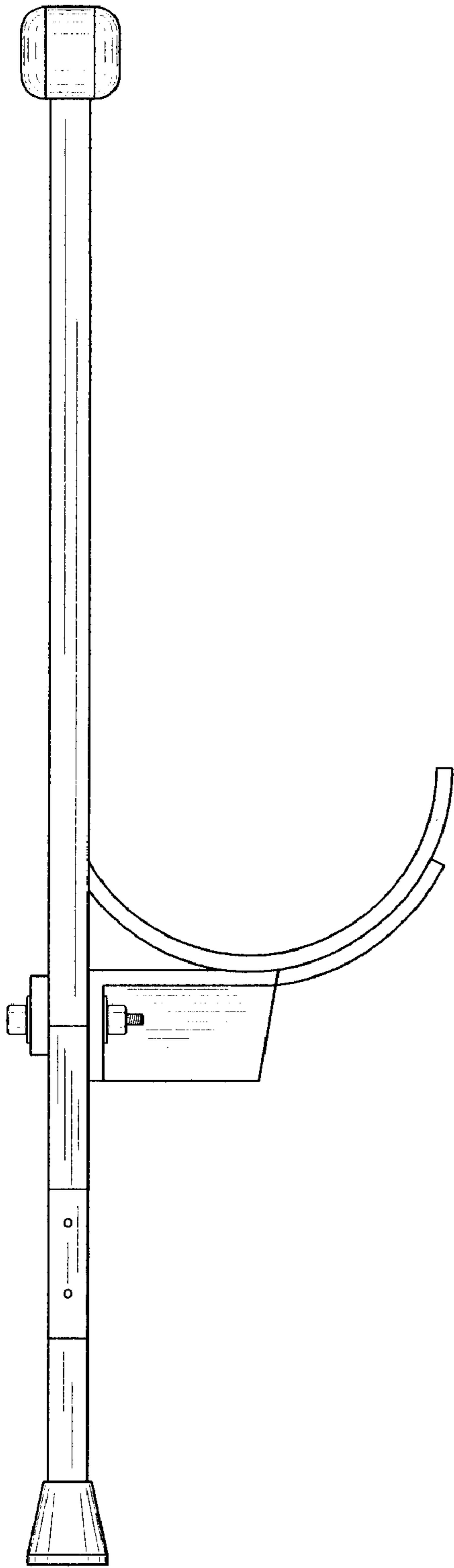


FIG. 3

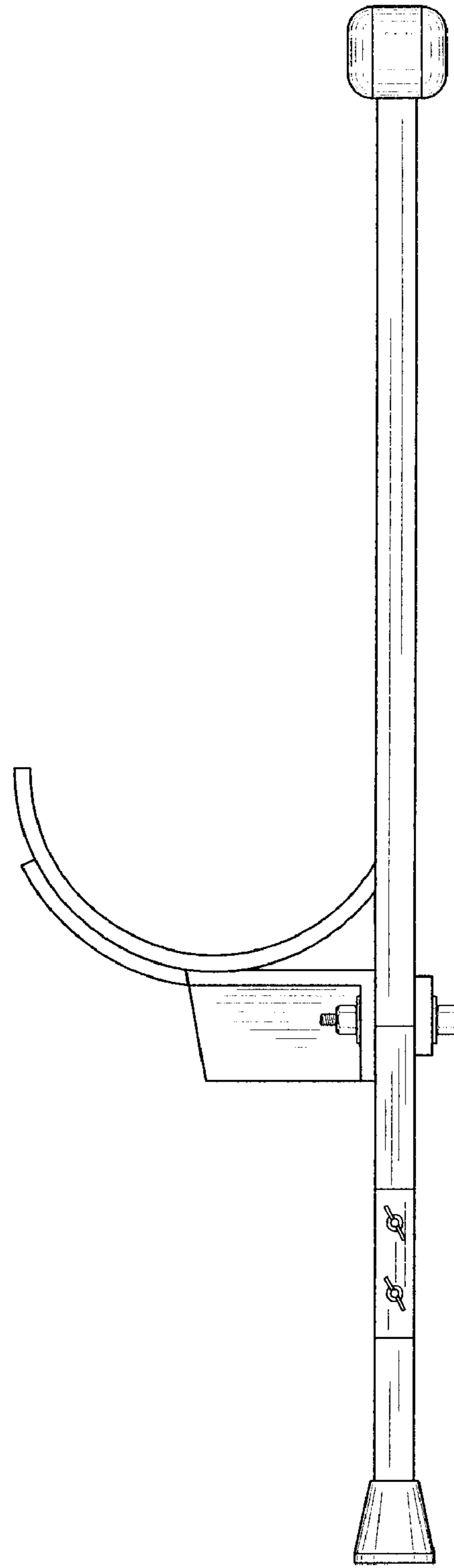


FIG. 4

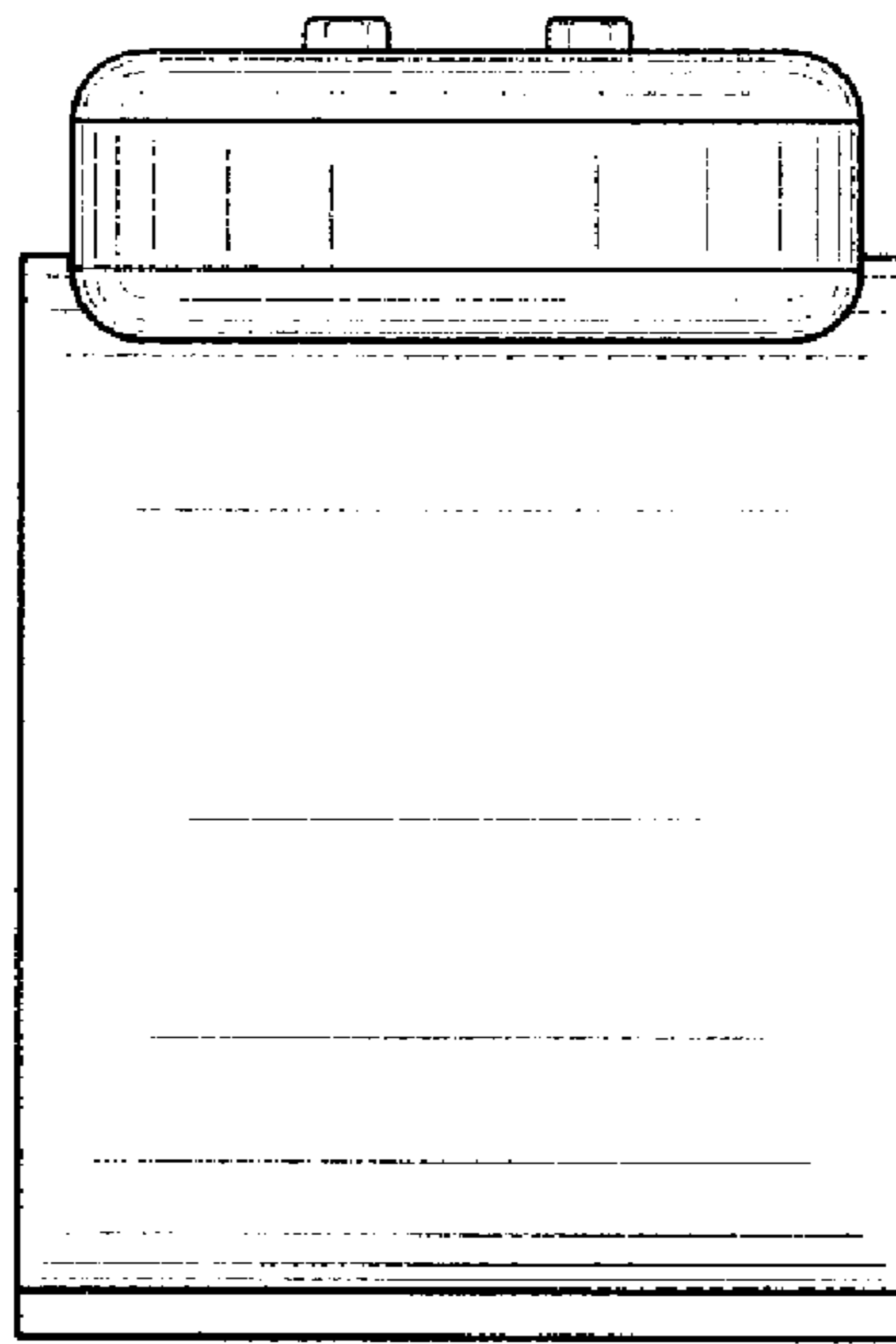


FIG. 5

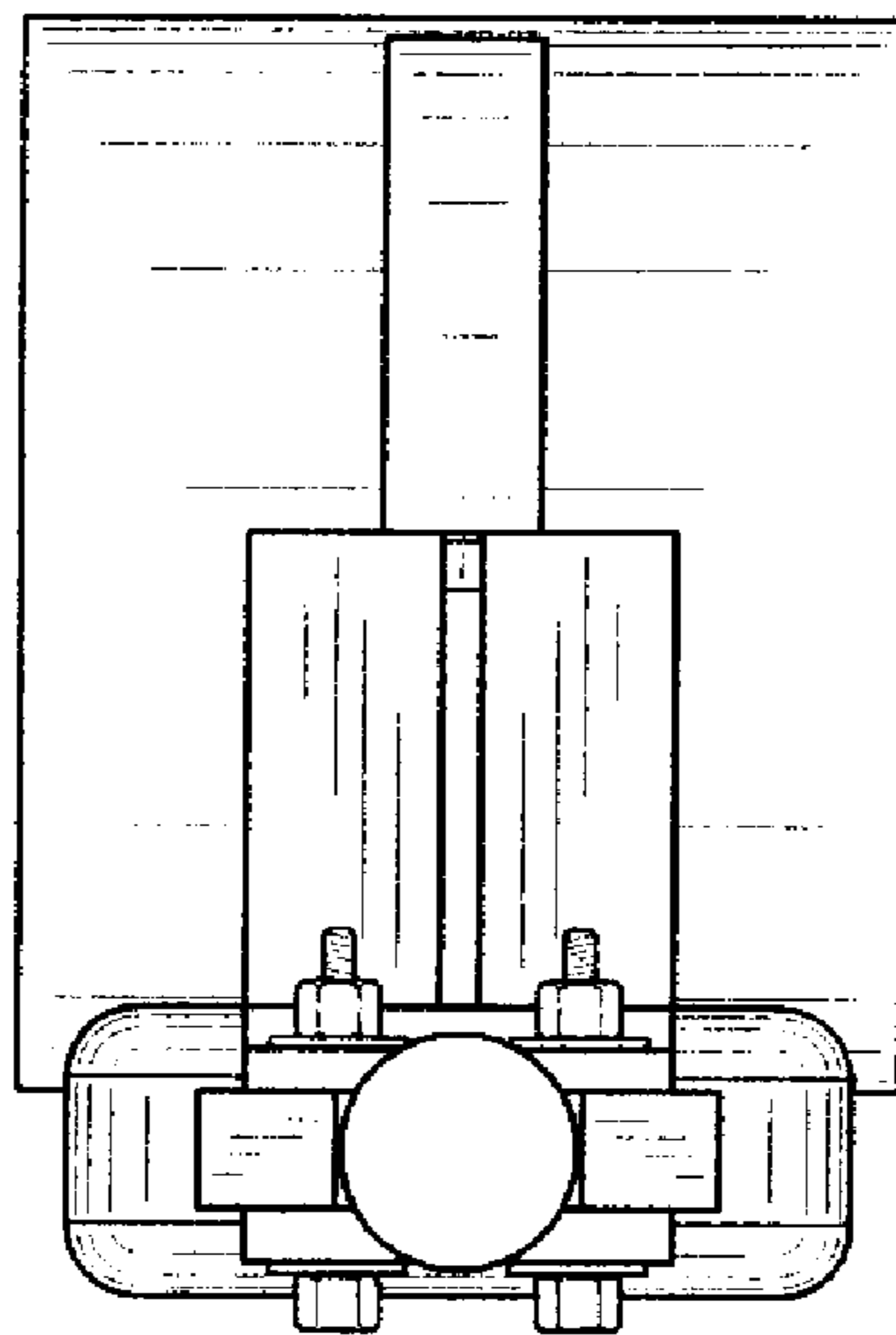


FIG. 6