



US00D516770S

(12) **United States Design Patent**
Stoll et al.

(10) **Patent No.:** **US D516,770 S**
(45) **Date of Patent:** **** Mar. 7, 2006**

(54) **MAILBOX**

(76) Inventors: **Stephen Stoll**, 706 Millstone, Rochester Hills, MI (US) 48309; **Wayne Summerhill**, 6620 Austin Peay Hwy., Arlington, TN (US) 38002

(**) **Term:** **14 Years**

(21) **Appl. No.:** **29/223,117**

(22) **Filed:** **Feb. 9, 2005**

(51) **LOC (8) Cl.** **99-00**

(52) **U.S. Cl.** **D99/30**

(58) **Field of Classification Search** D99/28,
D99/29, 30, 32; 232/38, 17, 19, 24, 32; D30/101;
119/246

See application file for complete search history.

(56) **References Cited**

U.S. PATENT DOCUMENTS

D172,997 S * 9/1954 Stallings D99/32
D356,423 S * 3/1995 Kresin D99/32

D485,044 S * 1/2004 Stoll et al. D99/30
D490,208 S * 5/2004 Stoll et al. D99/32
D490,209 S * 5/2004 Stoll et al. D99/32
D490,210 S * 5/2004 Stoll et al. D99/32

* cited by examiner

Primary Examiner—Paula A. Greene

(74) *Attorney, Agent, or Firm*—Gifford, Krass, Groh, et al.

(57) **CLAIM**

We claim the ornamental design for a mailbox, as shown and described.

DESCRIPTION

FIG. 1 is a perspective view of a mailbox showing my new design;

FIG. 2 is a rear view thereof;

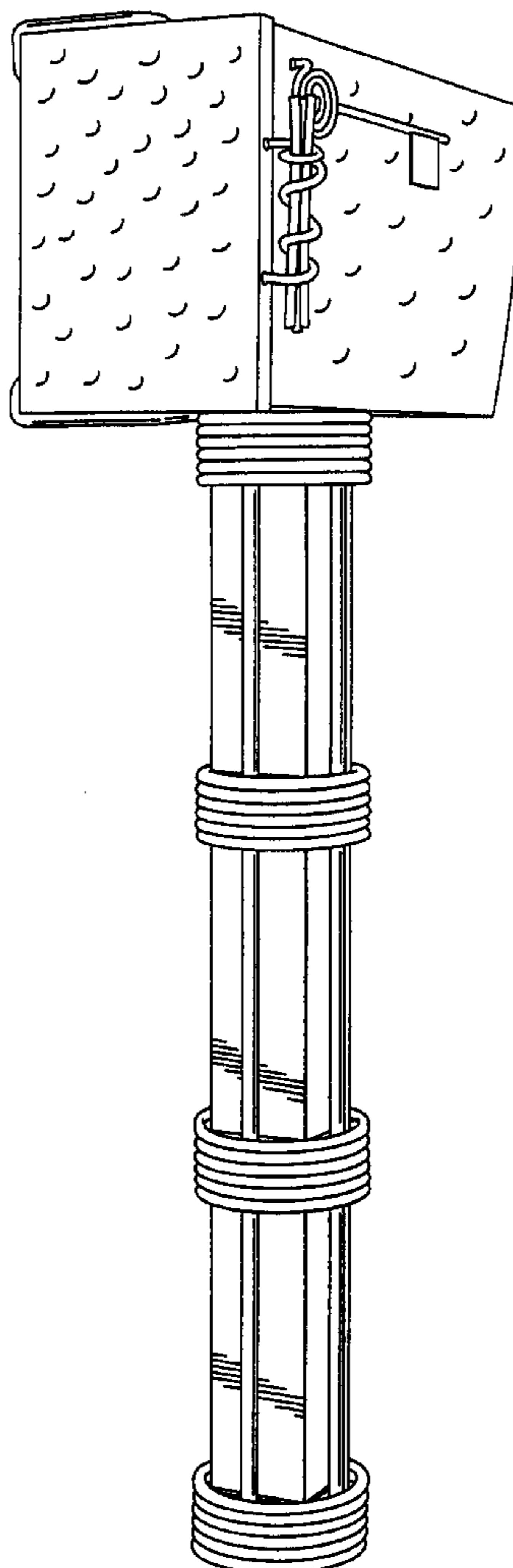
FIG. 3 is a right-side view thereof;

FIG. 4 is a front view thereof;

FIG. 5 is a left-side view thereof; and,

FIG. 6 is a top view thereof.

1 Claim, 3 Drawing Sheets



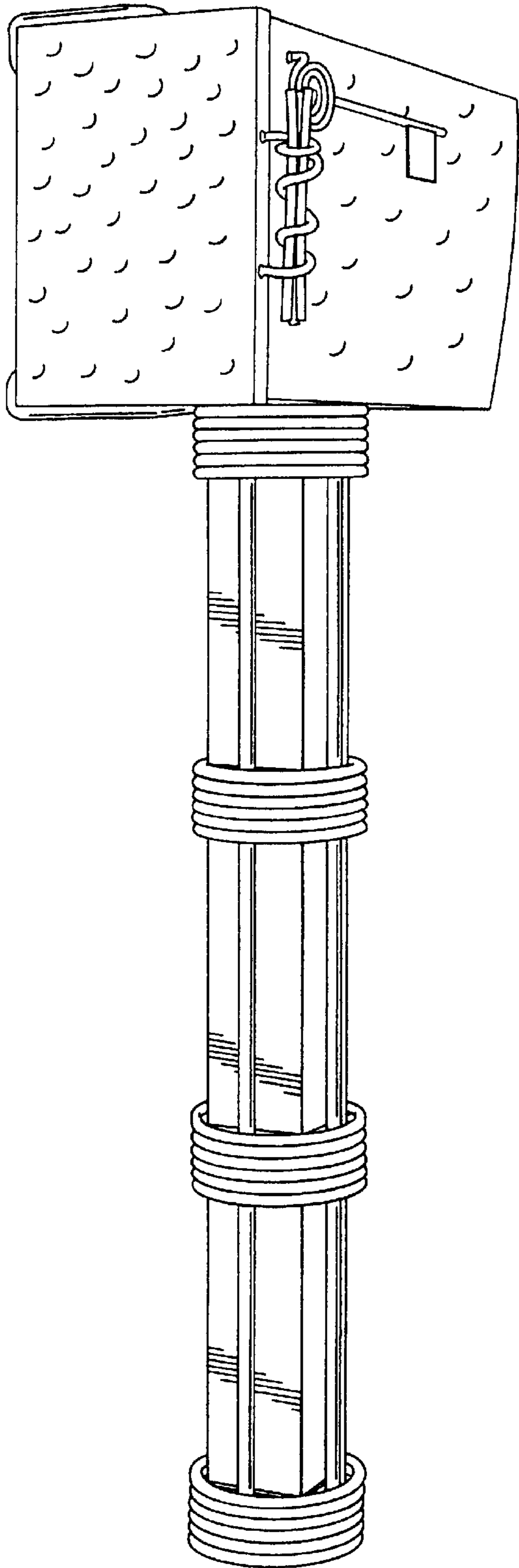


FIG. 1

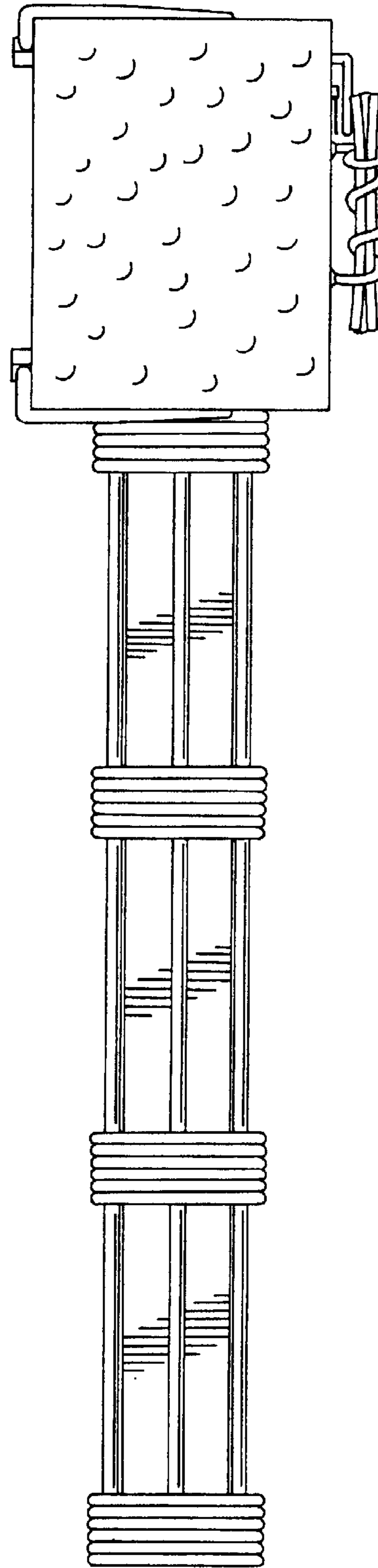


FIG. 2

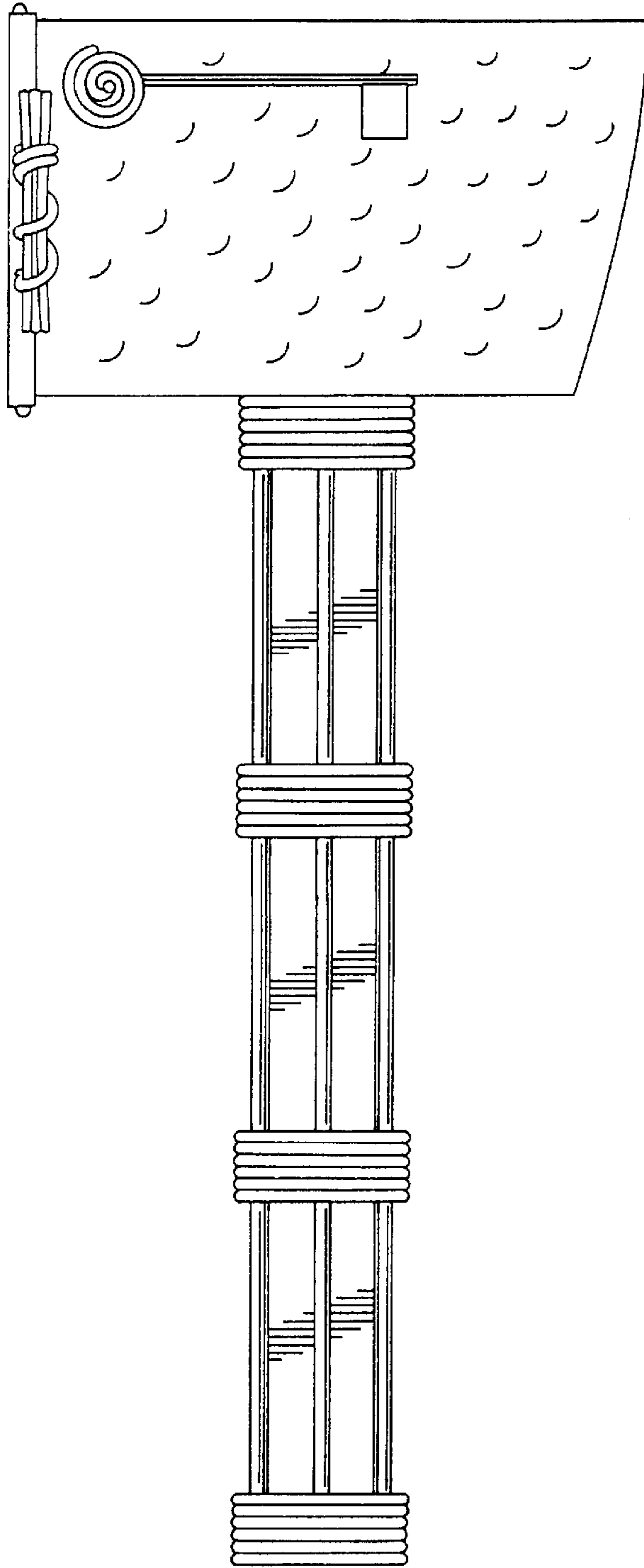


FIG. 3

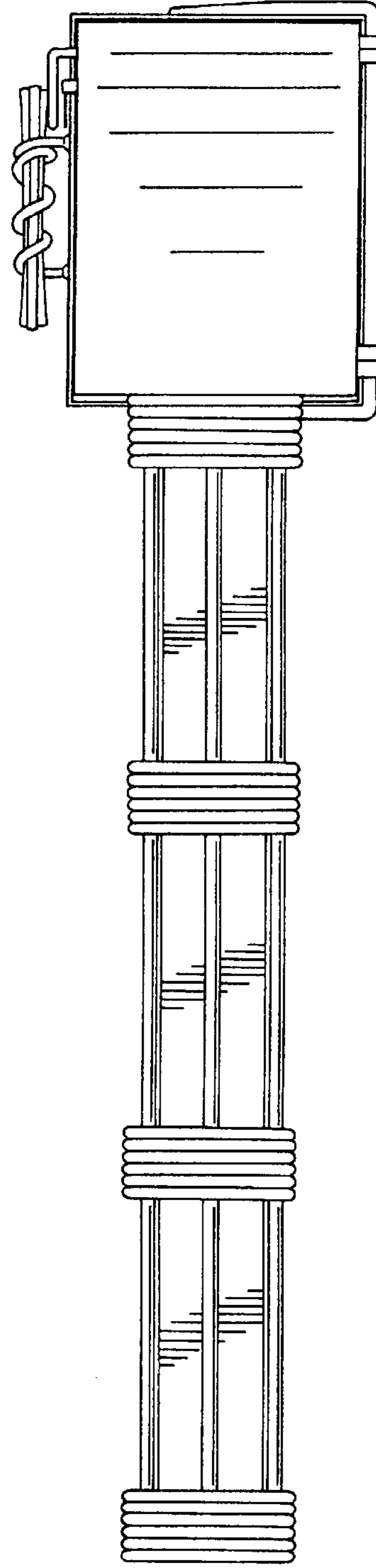


FIG. 4

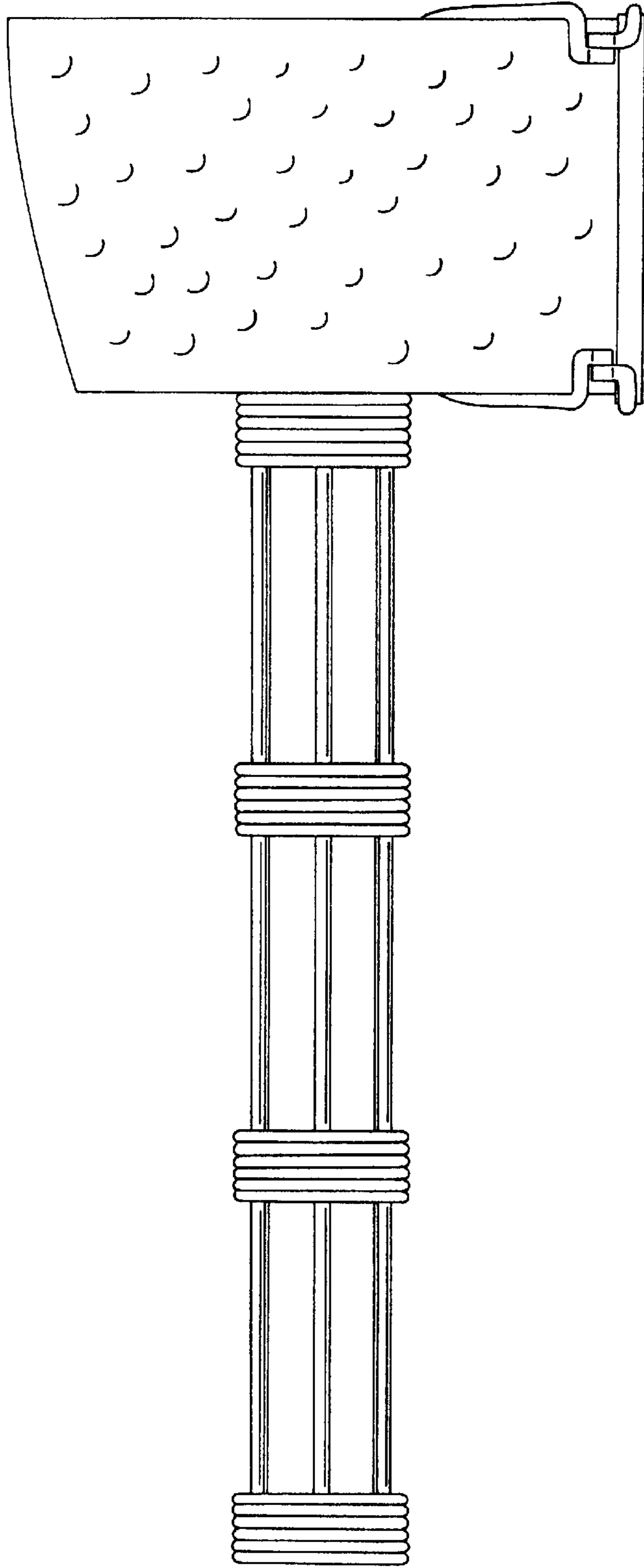


FIG. 5

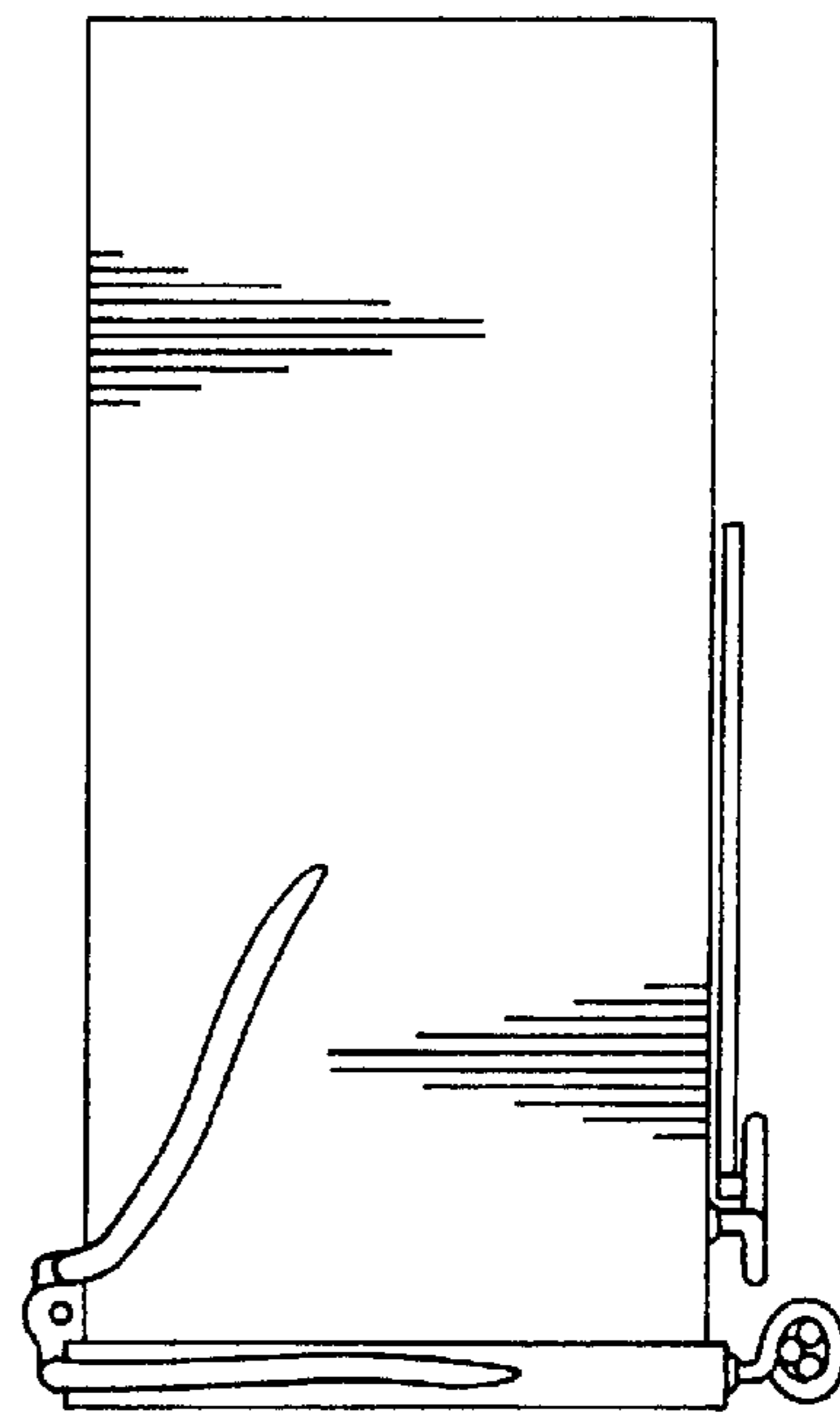


FIG. 6