

US00D516767S

(12) **United States Design Patent**  
**Layne**

(10) **Patent No.:** **US D516,767 S**  
(45) **Date of Patent:** **\*\* Mar. 7, 2006**

(54) **ROTATABLE ARTICLE ENGAGING ASSEMBLY**

(75) Inventor: **James L. Layne**, Bowling Green, KY (US)

(73) Assignee: **Span Tech LLC**, Glasgow, KY (US)

(\*\*) Term: **14 Years**

(21) Appl. No.: **29/210,032**

(22) Filed: **Jul. 26, 2004**

**Related U.S. Application Data**

(63) Continuation of application No. 10/672,250, filed on Sep. 26, 2003, now Pat. No. 6,874,617.

(51) **LOC (8) Cl.** ..... **12-05**

(52) **U.S. Cl.** ..... **D34/29**

(58) **Field of Classification Search** ..... D34/28,  
D34/29, 35; D8/499; 198/850, 852, 853,  
198/848, 779, 851

See application file for complete search history.

(56) **References Cited**

**U.S. PATENT DOCUMENTS**

|             |   |         |            |       |          |
|-------------|---|---------|------------|-------|----------|
| 498,649 A   | * | 5/1893  | Hallock    | ..... | 193/35 R |
| 992,176 A   |   | 5/1911  | Erickson   |       |          |
| 1,123,851 A |   | 1/1915  | Cooper     |       |          |
| 1,327,925 A |   | 1/1920  | Schneider  |       |          |
| 3,363,735 A |   | 1/1968  | Hotchkiss  |       |          |
| 3,550,756 A |   | 12/1970 | Kornylak   |       |          |
| 3,679,043 A |   | 7/1972  | Becker     |       |          |
| 3,804,230 A |   | 4/1974  | Krivec     |       |          |
| 3,828,917 A |   | 8/1974  | Oestergren |       |          |
| 3,874,491 A |   | 4/1975  | Faure      |       |          |
| 3,923,150 A |   | 12/1975 | Jager      |       |          |
| 3,934,706 A |   | 1/1976  | Tice       |       |          |

|              |           |                  |                 |
|--------------|-----------|------------------|-----------------|
| 3,964,588 A  | 6/1976    | Kornylak         |                 |
| 3,976,177 A  | 8/1976    | Brown            |                 |
| 4,456,116 A  | 6/1984    | Jarman           |                 |
| 4,681,211 A  | 7/1987    | Lodige et al.    |                 |
| 4,981,203 A  | 1/1991    | Kornylak         |                 |
| 5,238,099 A  | 8/1993    | Schroeder et al. |                 |
| 5,330,045 A  | 7/1994    | Hodlewsky        |                 |
| 5,367,352 A  | 11/1994   | Schulz-Lekies    |                 |
| 5,404,984 A  | 4/1995    | Hagman           |                 |
| 5,562,200 A  | * 10/1996 | Daringer         | ..... 198/844.2 |
| 5,964,340 A  | * 10/1999 | Dolan            | ..... 198/853   |
| 6,041,917 A  | * 3/2000  | Layne            | ..... 198/853   |
| D439,389 S   | * 3/2001  | Simkowski        | ..... D34/35    |
| 6,367,616 B1 | 4/2002    | Lapeyre et al.   |                 |
| 6,398,015 B1 | * 6/2002  | Sedlacek et al.  | ..... 198/779   |
| 6,725,883 B1 | * 4/2004  | Guldenfels       | ..... 198/850   |
| 6,874,617 B1 | * 4/2005  | Layne            | ..... 198/779   |

\* cited by examiner

*Primary Examiner*—Cynthia E. Ramirez

(74) *Attorney, Agent, or Firm*—King & Schickli, PLLC

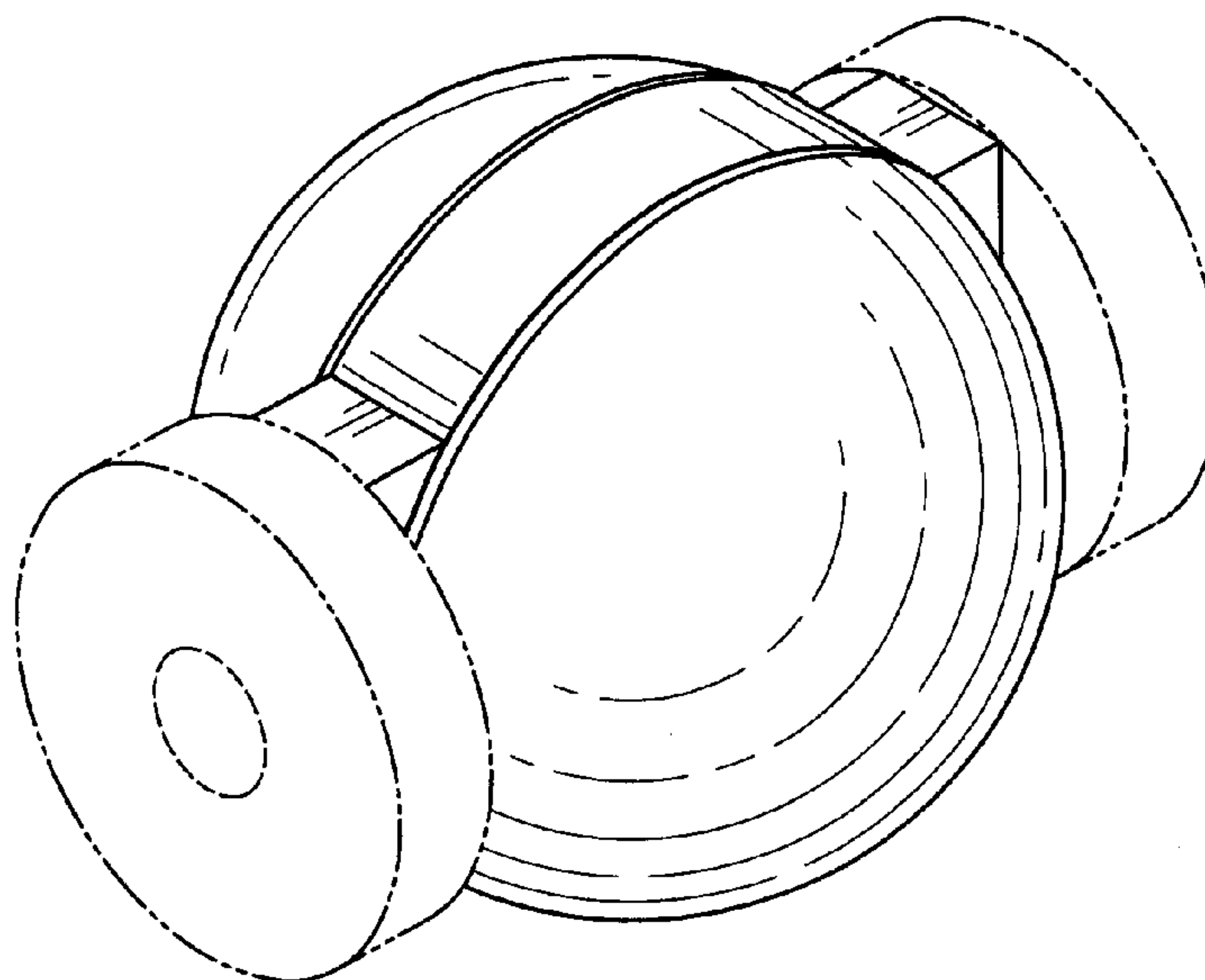
(57) **CLAIM**

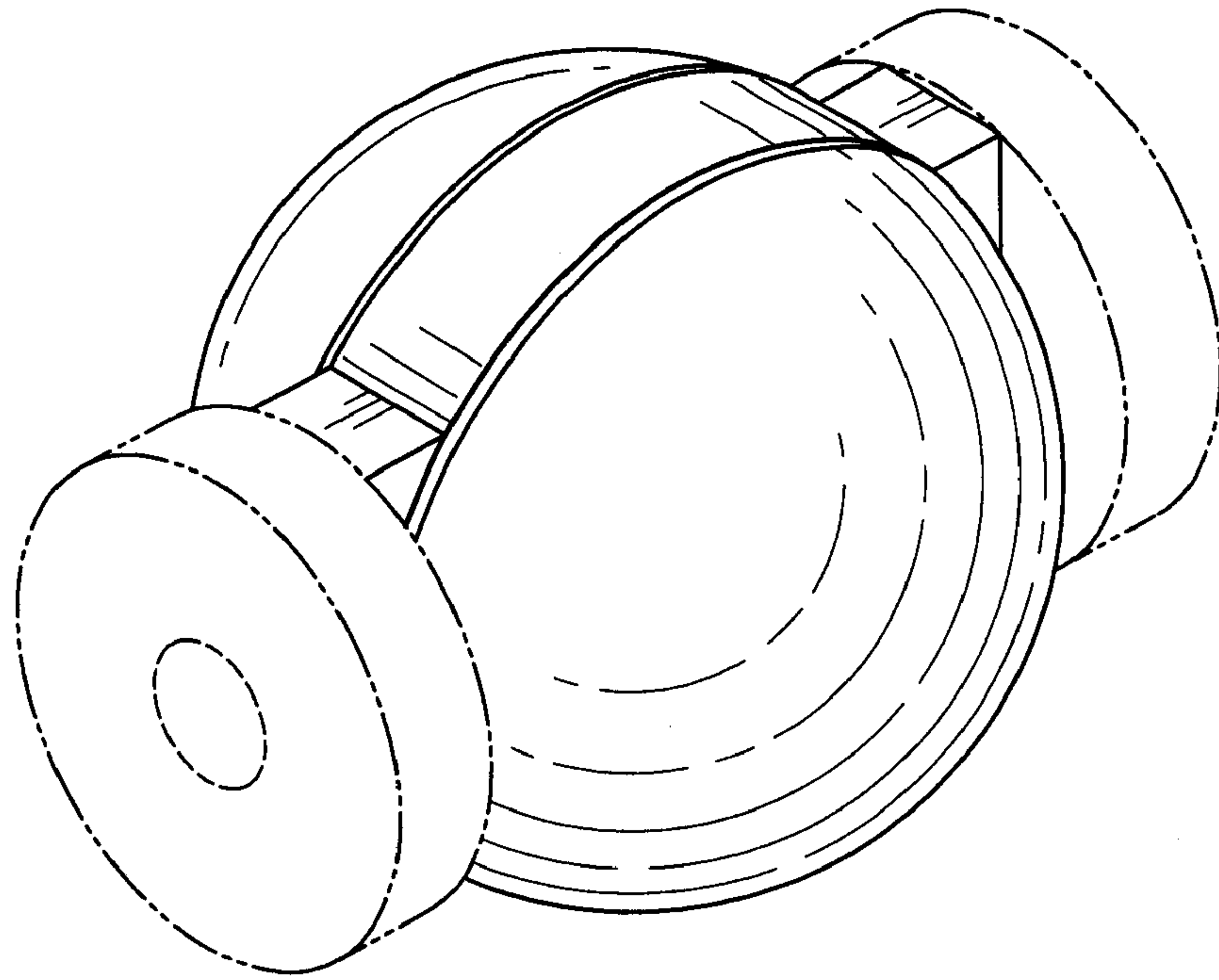
The ornamental design of a rotatable article engaging assembly, as shown and described.

**DESCRIPTION**

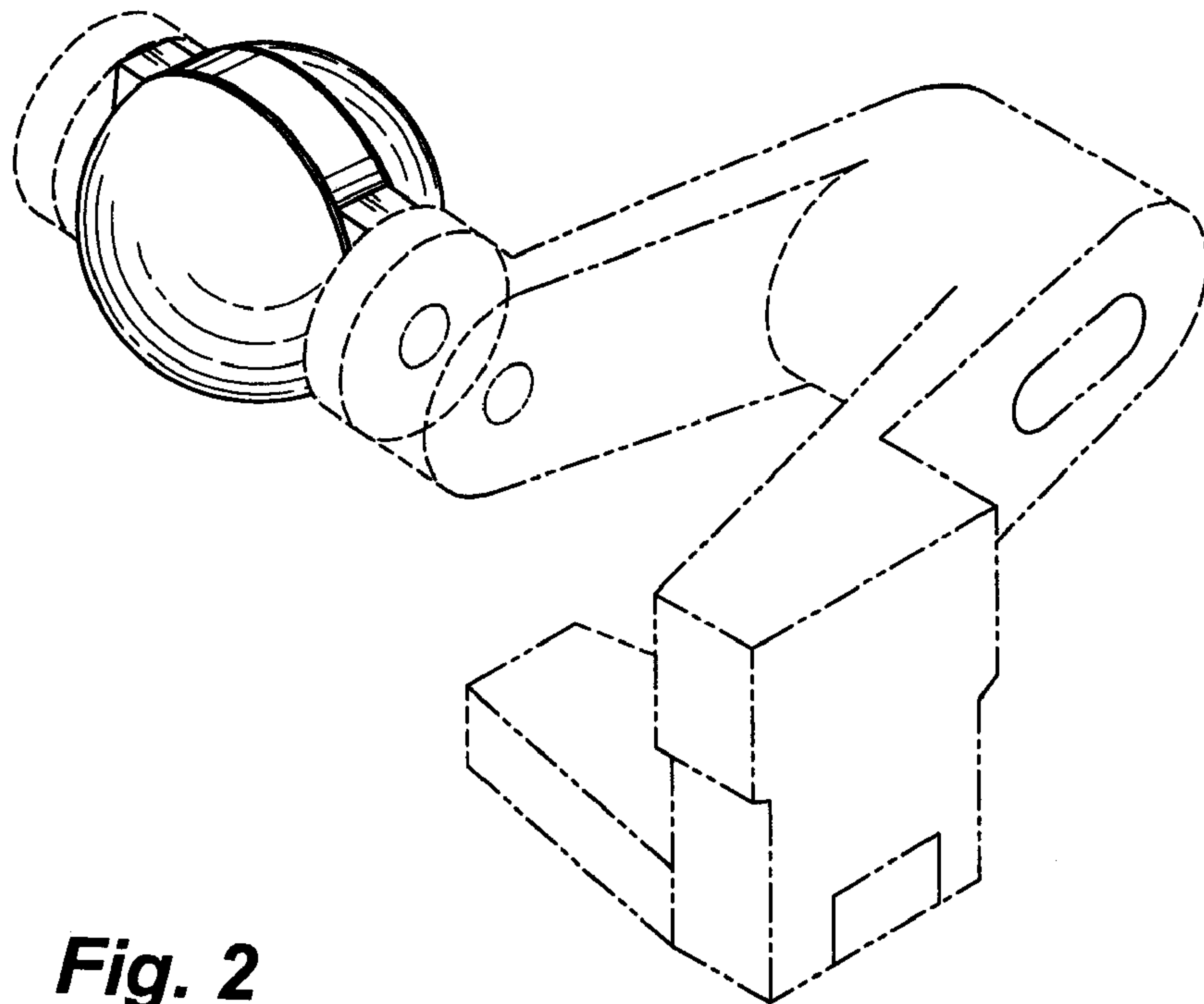
FIG. 1 is a perspective view of the rotatable article engaging assembly of the present invention; FIG. 2 is a perspective view thereof; FIG. 3 is a top plan view thereof; FIG. 4 is a front elevational view, the rear being a mirror image thereof; and, FIG. 5 is a right side elevational view, the left side being a mirror image thereof. The broken lines in FIGS. 1 through 5 are for illustrative purposes only and form no part of the claimed design.

**1 Claim, 2 Drawing Sheets**

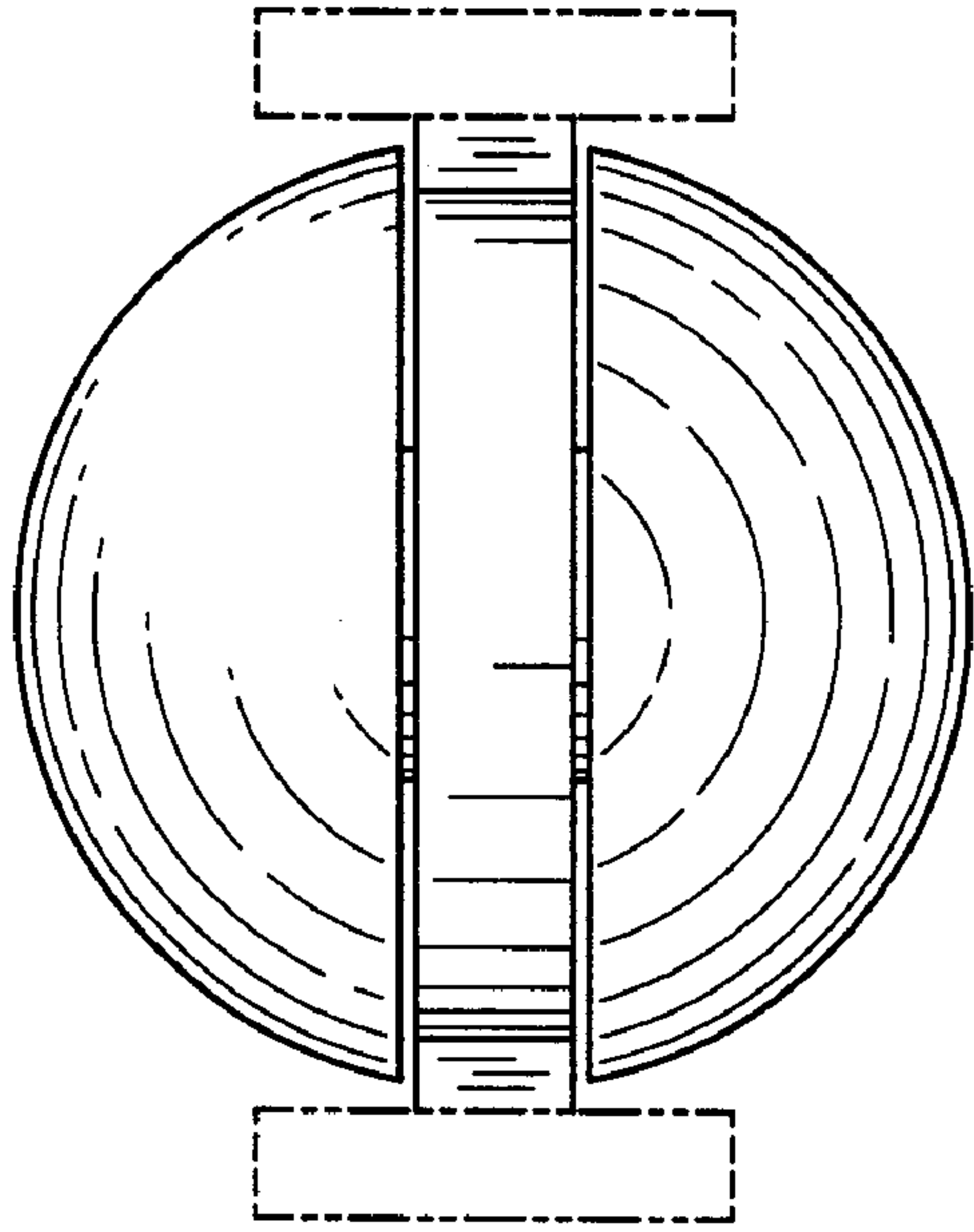




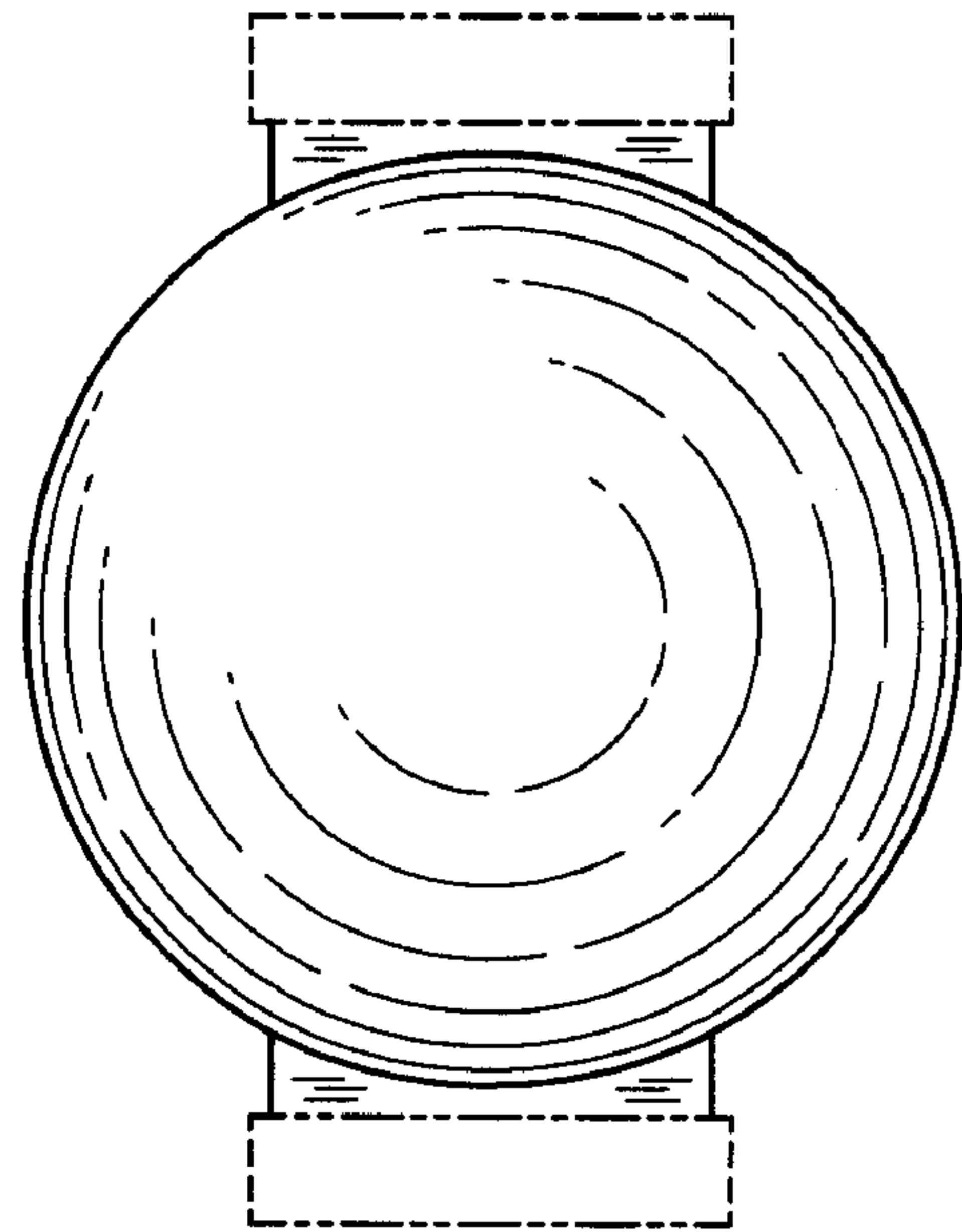
**Fig. 1**



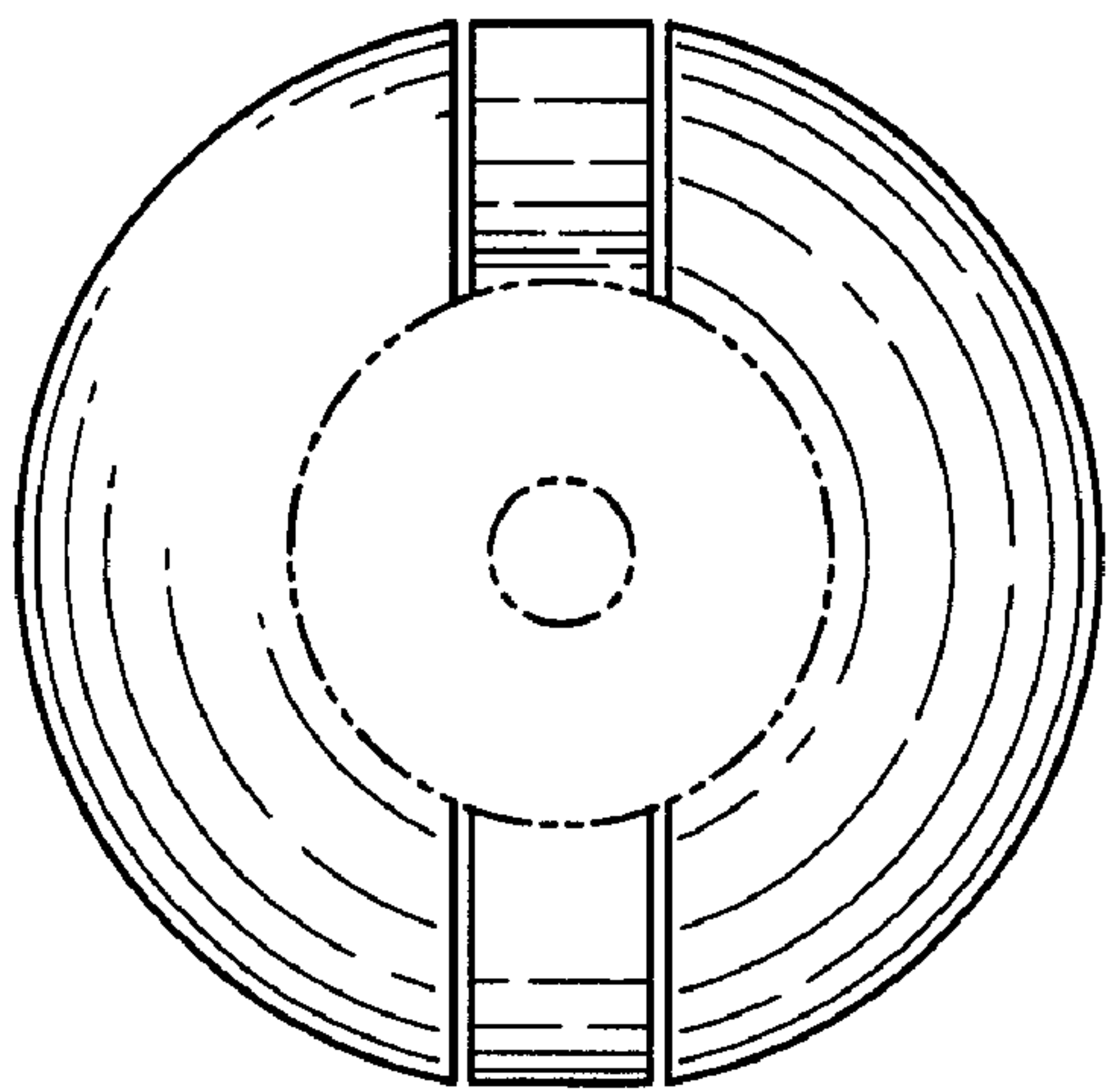
**Fig. 2**



**Fig. 3**



**Fig. 4**



**Fig. 5**