



US00D516763S

(12) **United States Design Patent**
Escarpa Gil

(10) **Patent No.: US D516,763 S**
(45) **Date of Patent: ** Mar. 7, 2006**

(54) **BUCKET FOR WRINGING OUT MOPS**

(75) Inventor: **Julián Escarpa Gil, Aldaia (ES)**

(73) Assignee: **SP Berner Plastic Group, S.L., Aldaia (ES)**

(**) Term: **14 Years**

(21) Appl. No.: **29/211,772**

(22) Filed: **Aug. 20, 2004**

(30) **Foreign Application Priority Data**

Feb. 27, 2004 (ES) 158015

(51) **LOC (8) Cl. 07-07**

(52) **U.S. Cl. D32/53**

(58) **Field of Classification Search** D32/53,
D32/53.1, 54; D3/315; 15/257.05, 260, 261,
15/263, 264; 68/241, 243; 100/131, 132;
220/604, 608, 640-642, 675, 678, 679, 760,
220/762, 763, 765, 773, 775, 776, 904, DIG. 12,
220/DIG. 13, DIG. 14

See application file for complete search history.

(56) **References Cited**

U.S. PATENT DOCUMENTS

- 2,569,786 A * 10/1951 Stapf 15/261
- 2,610,348 A * 9/1952 Jenkins
- D222,892 S * 1/1972 Tarrasa D32/53
- D383,270 S * 9/1997 Weihrauch
- D407,878 S * 4/1999 Carlson D32/53
- 6,065,175 A * 5/2000 Tejerina 15/260 X
- D462,491 S * 9/2002 Hauenstein D32/53

FOREIGN PATENT DOCUMENTS

EP 0 48 9237 6/1992

* cited by examiner

Primary Examiner—Alan P. Douglas

Assistant Examiner—Lavone D. Tabor

(74) *Attorney, Agent, or Firm*—Klauber & Jackson LLC

(57) **CLAIM**

The ornamental design for a bucket for wringing out mops, as shown and described.

DESCRIPTION

FIG. 1 is a right hand upper perspective view of a bucket for wringing out mops in accordance with my new design;

FIG. 2 is a front view thereof;

FIG. 3 is a right side view thereof;

FIG. 4 is a top view thereof;

FIG. 5 is a left side view thereof;

FIG. 6 is a rear view thereof;

FIG. 7 is an exploded top left hand perspective view and elevational view showing a component of the bucket for wringing out mops of my new design;

FIG. 8 is a bottom right hand perspective view showing the component of FIG. 7 with a portion thereof not visible;

FIG. 9 is a top elevational view of the component of FIG. 7 with all parts in position;

FIG. 10 is a front view thereof;

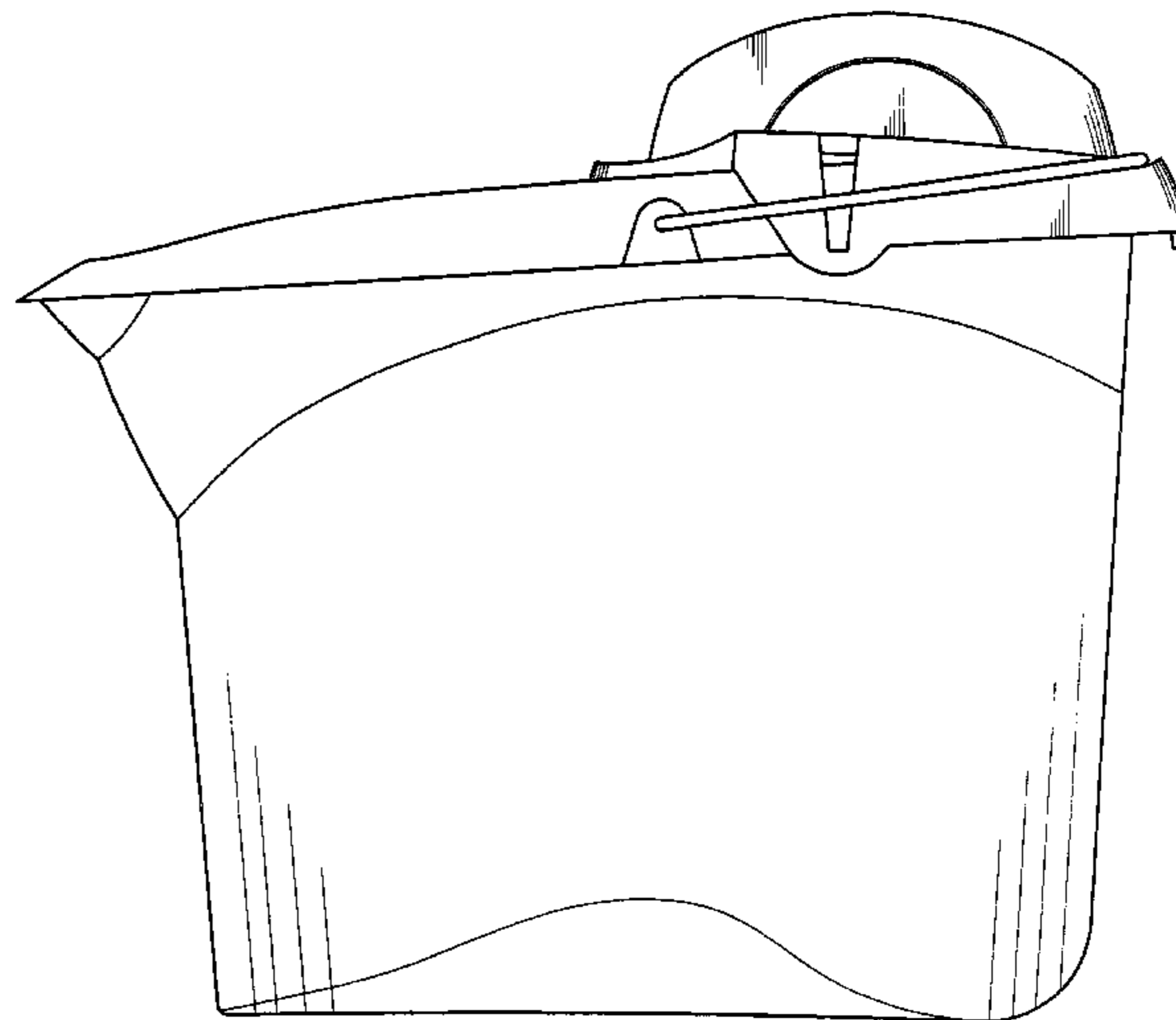
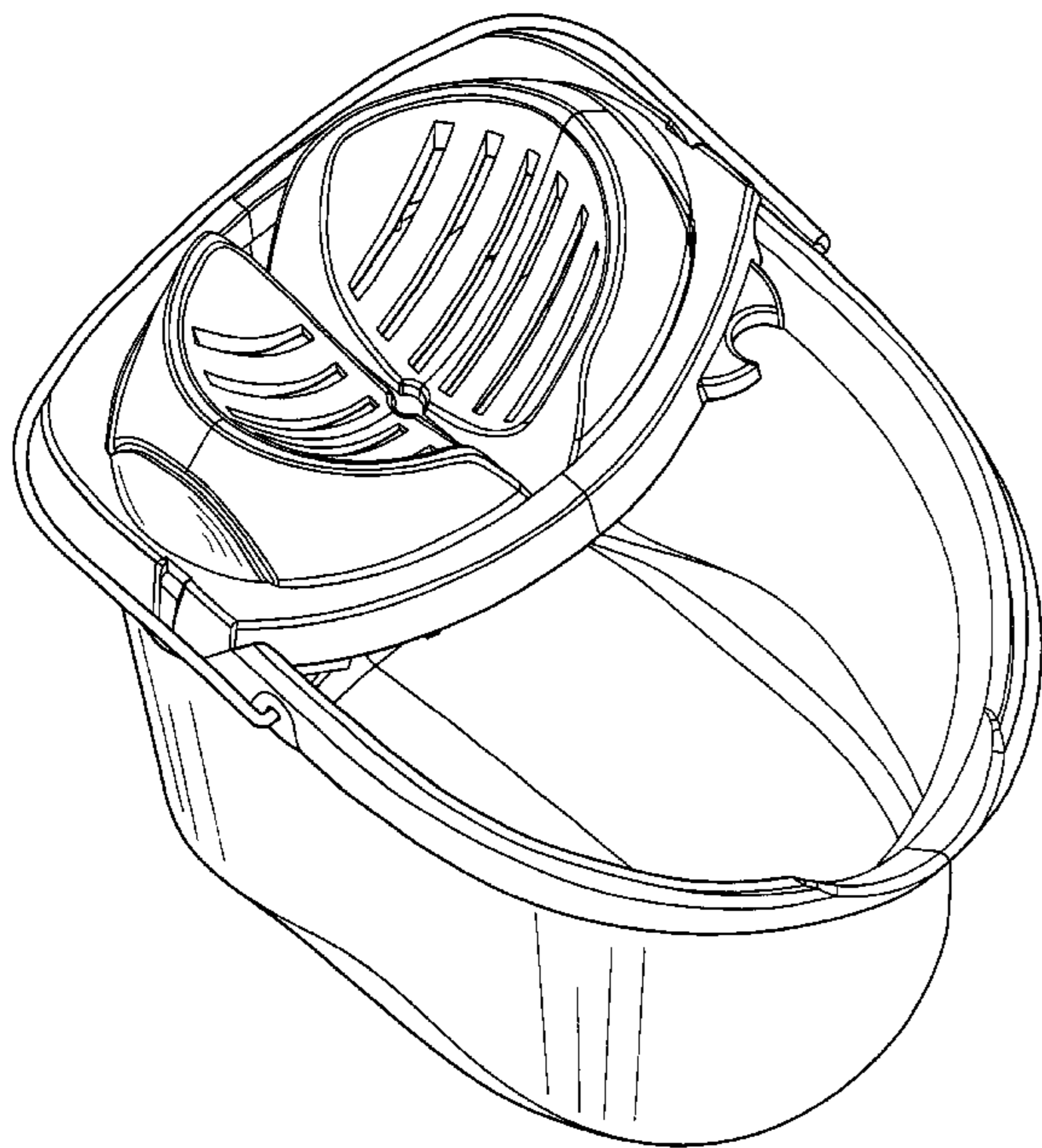
FIG. 11 is a left side view thereof;

FIG. 12 is a rear view thereof; and,

FIG. 13 is a right side view thereof.

The component shown in FIGS. 7-13 is shown separately for clarity of illustration only.

1 Claim, 13 Drawing Sheets



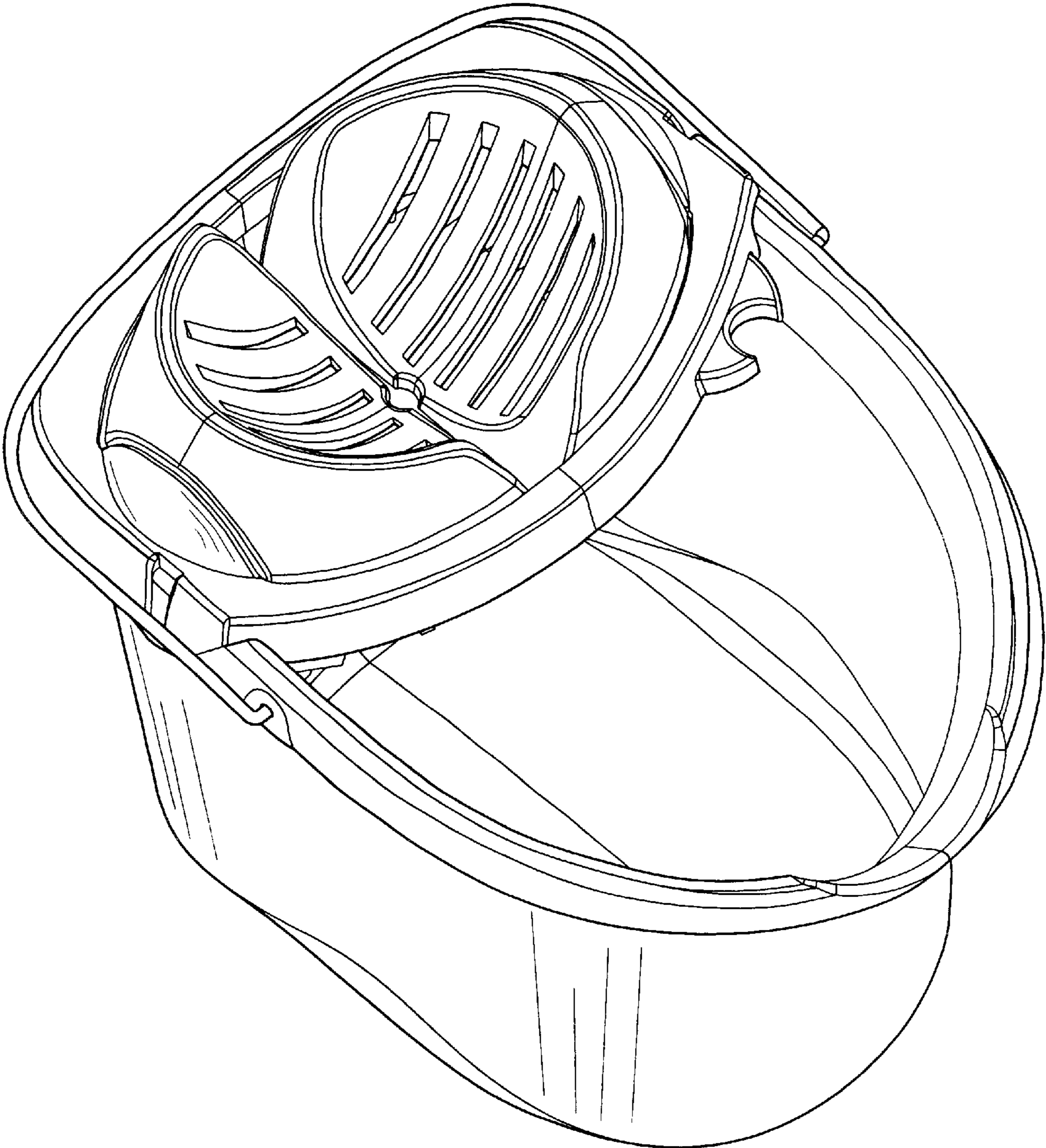


FIG. 1

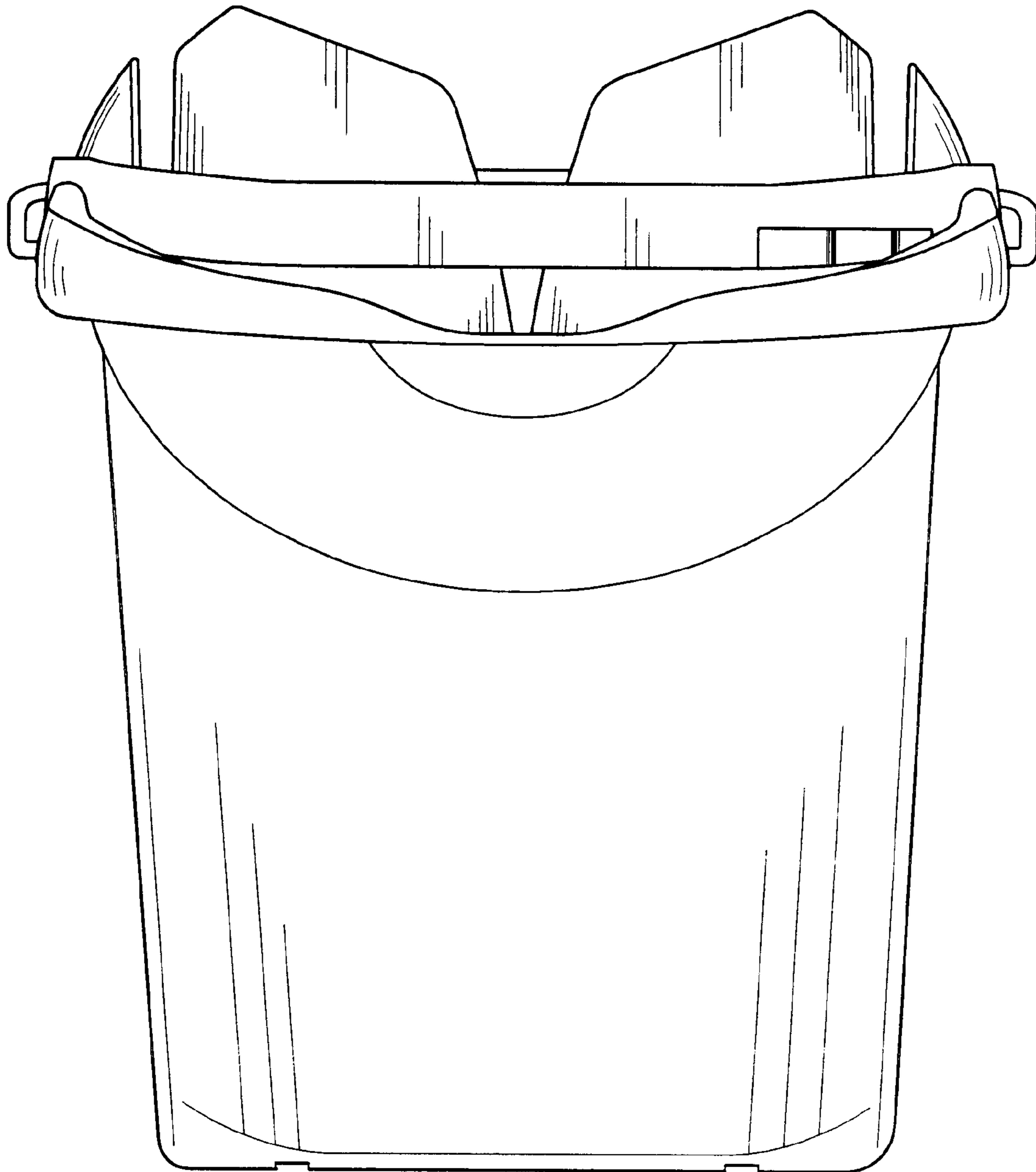


FIG. 2

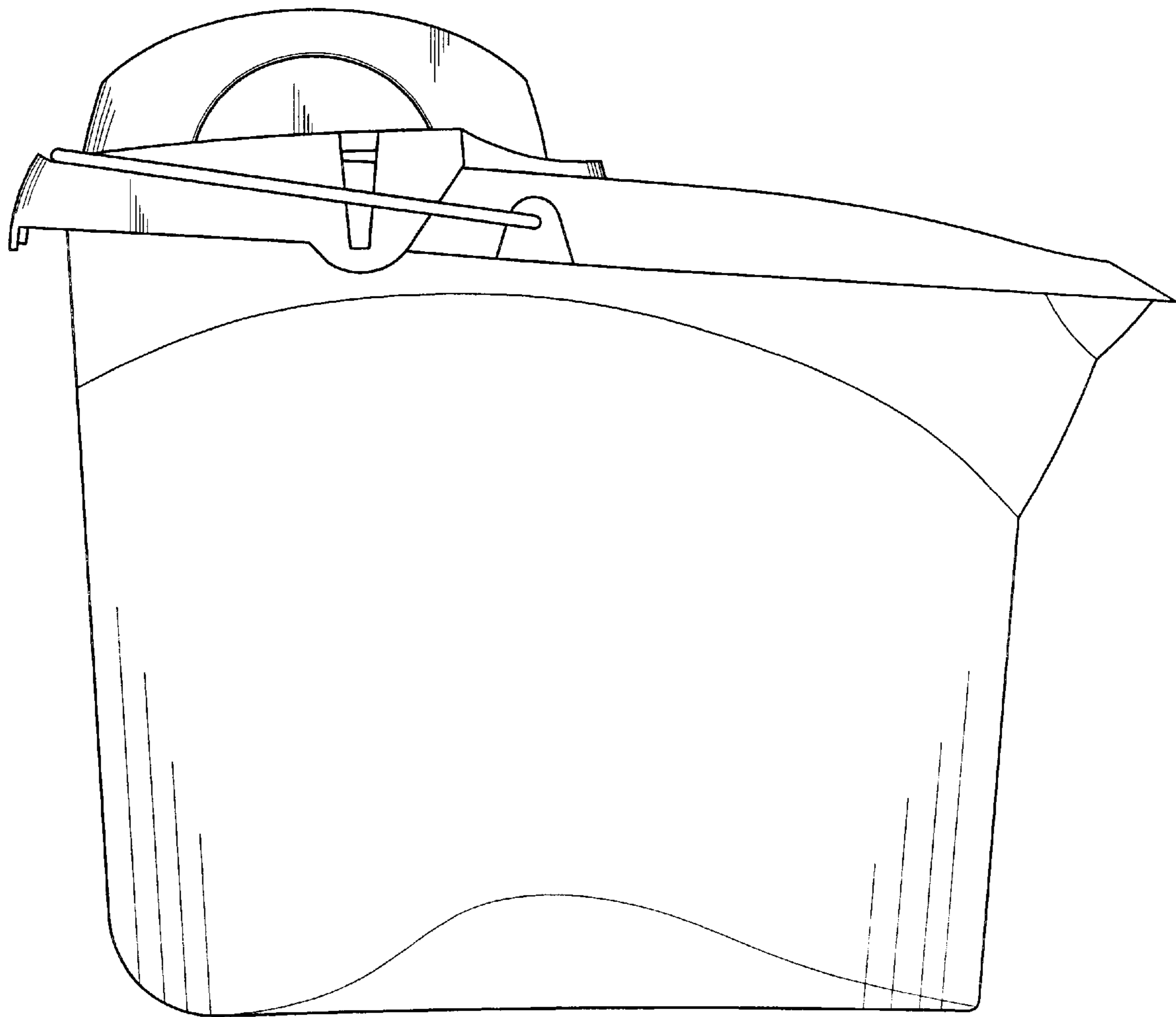


FIG. 3

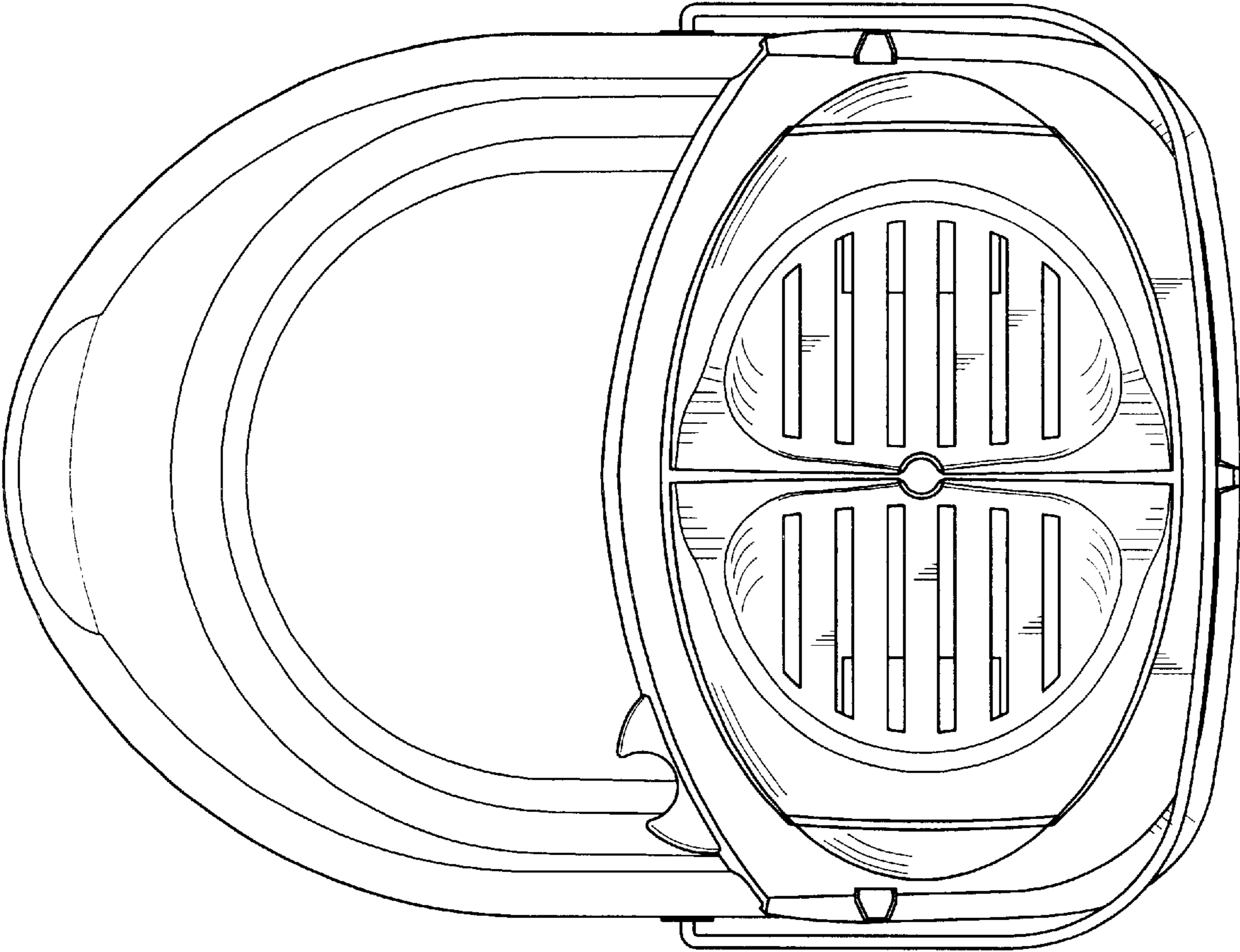


FIG. 4

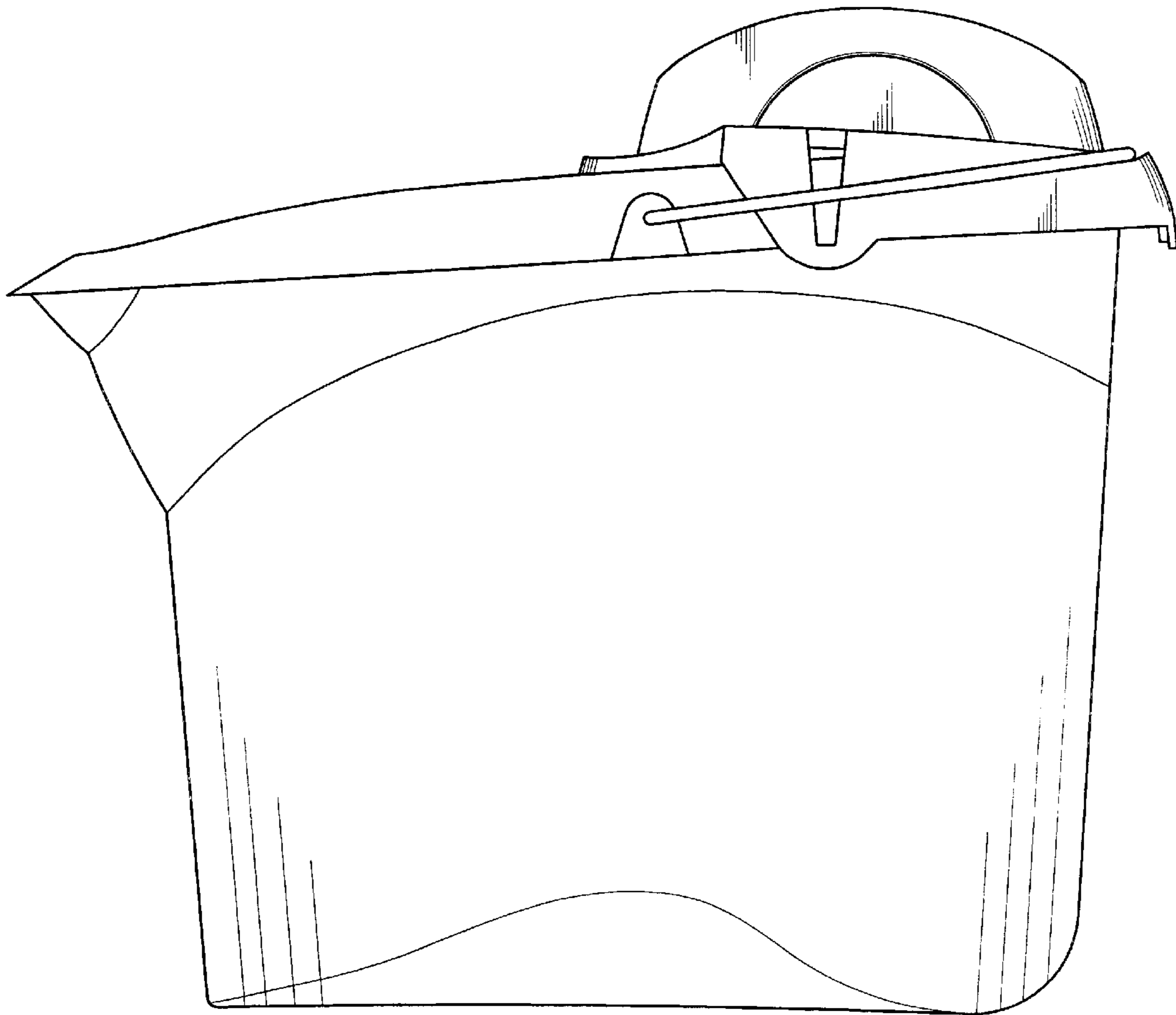


FIG. 5

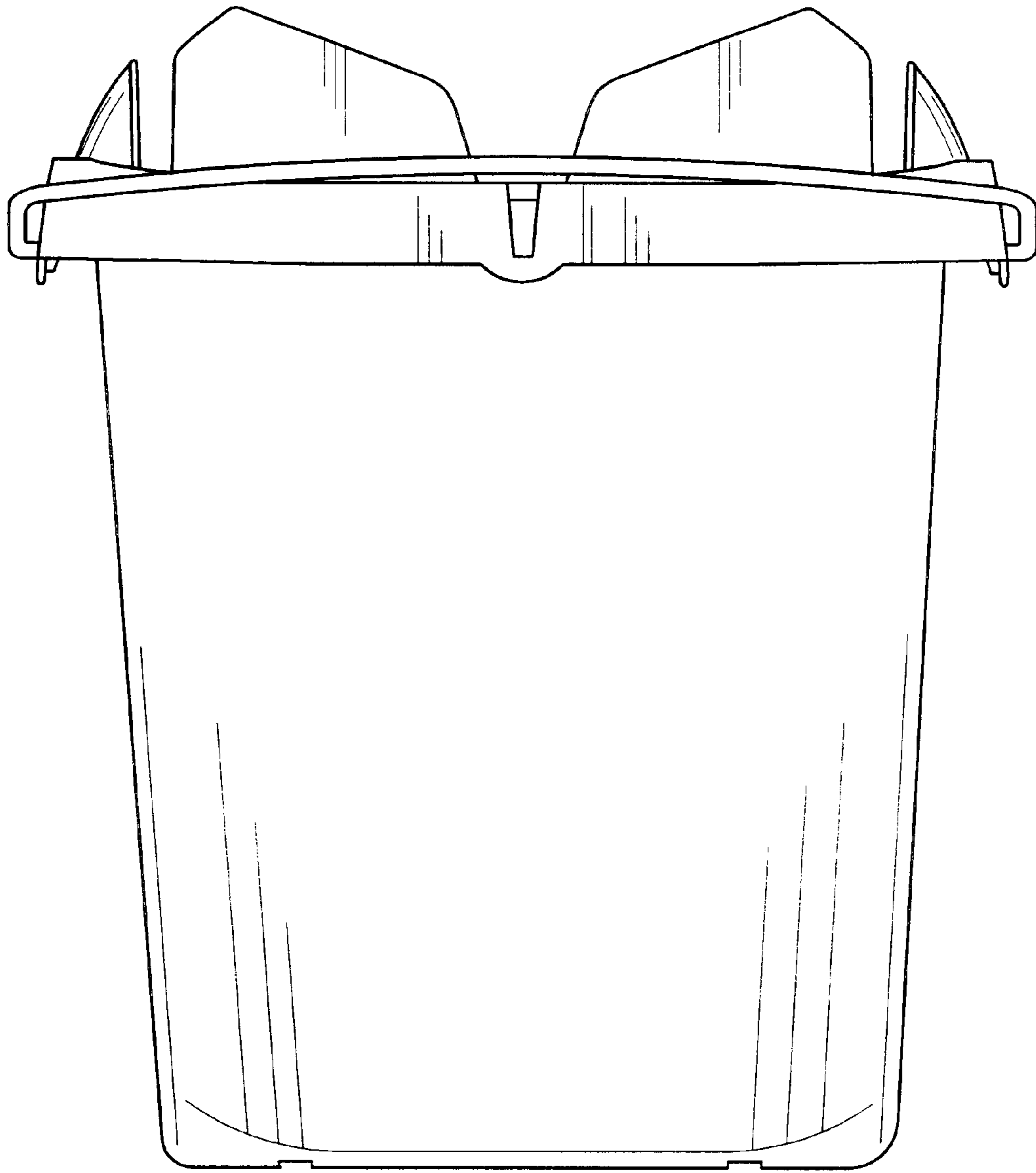


FIG. 6

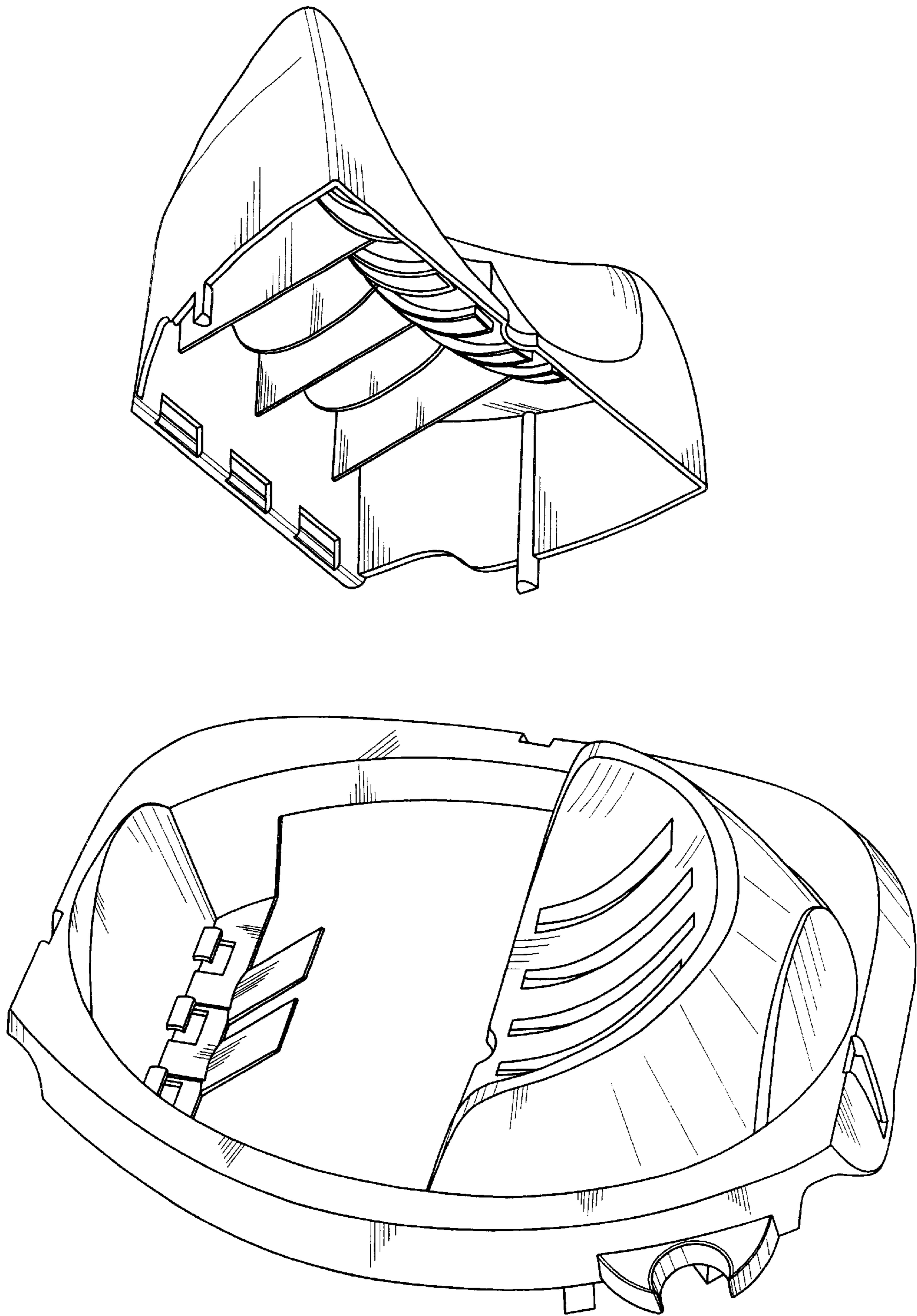


FIG. 7

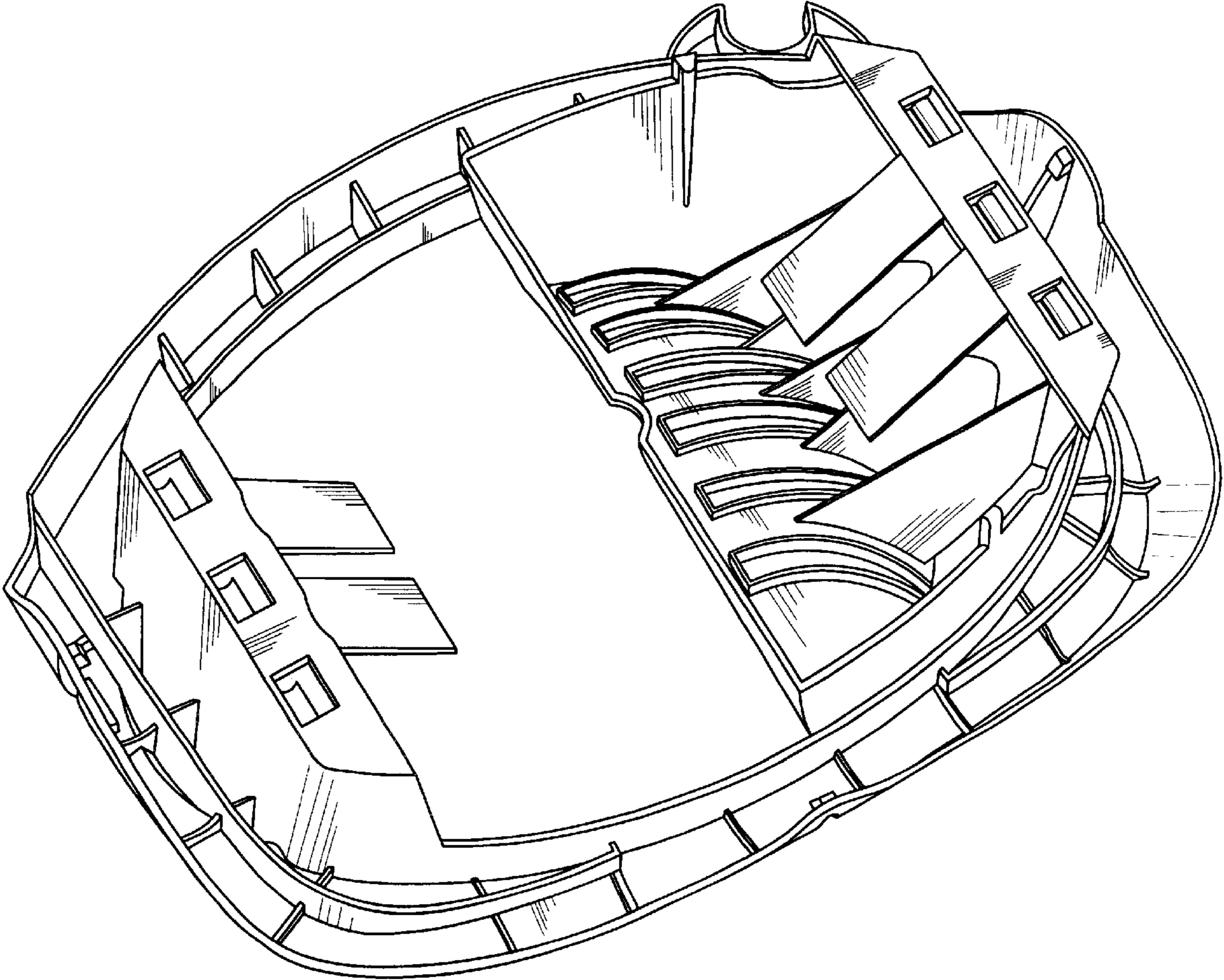


FIG. 8

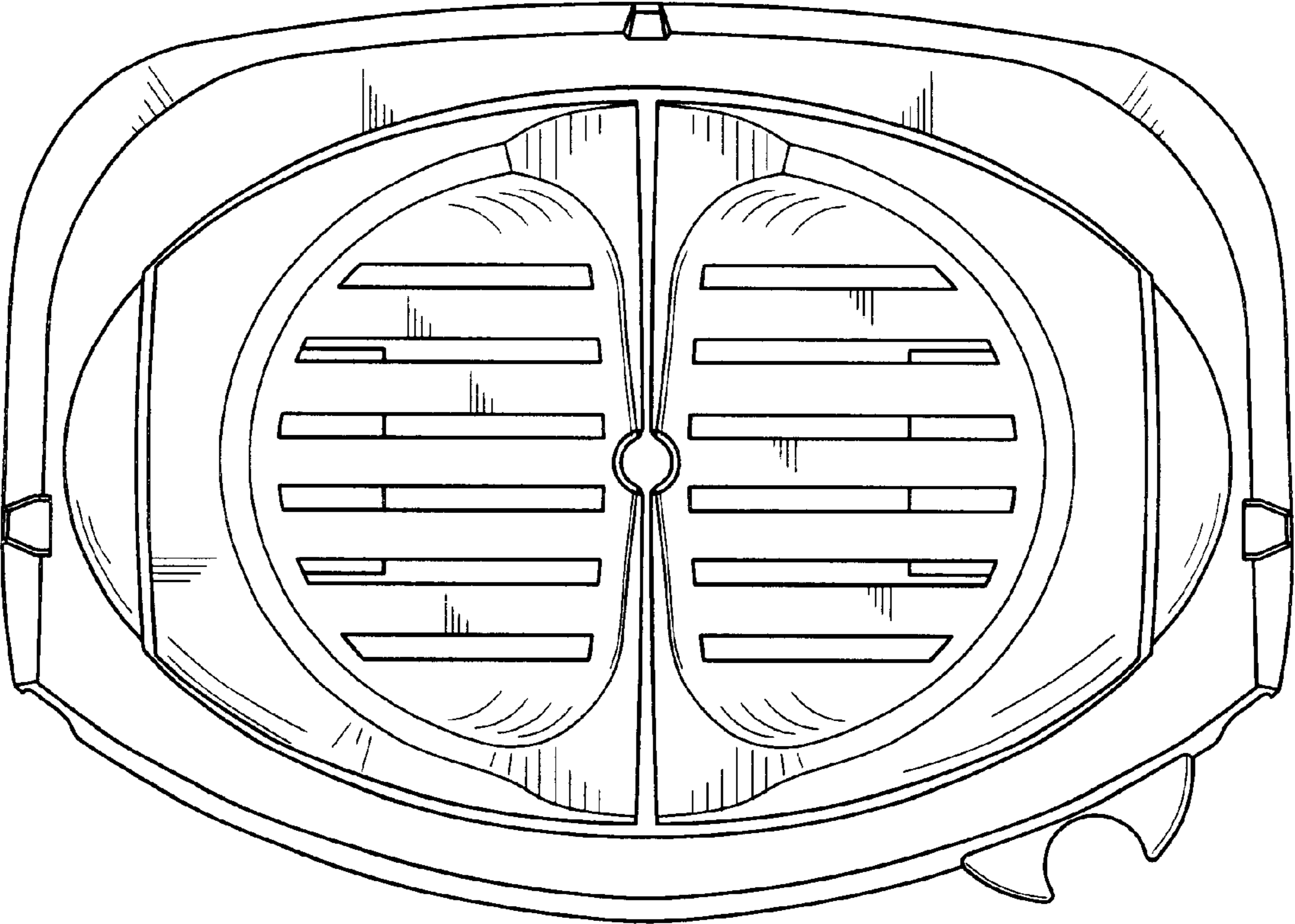


FIG. 9

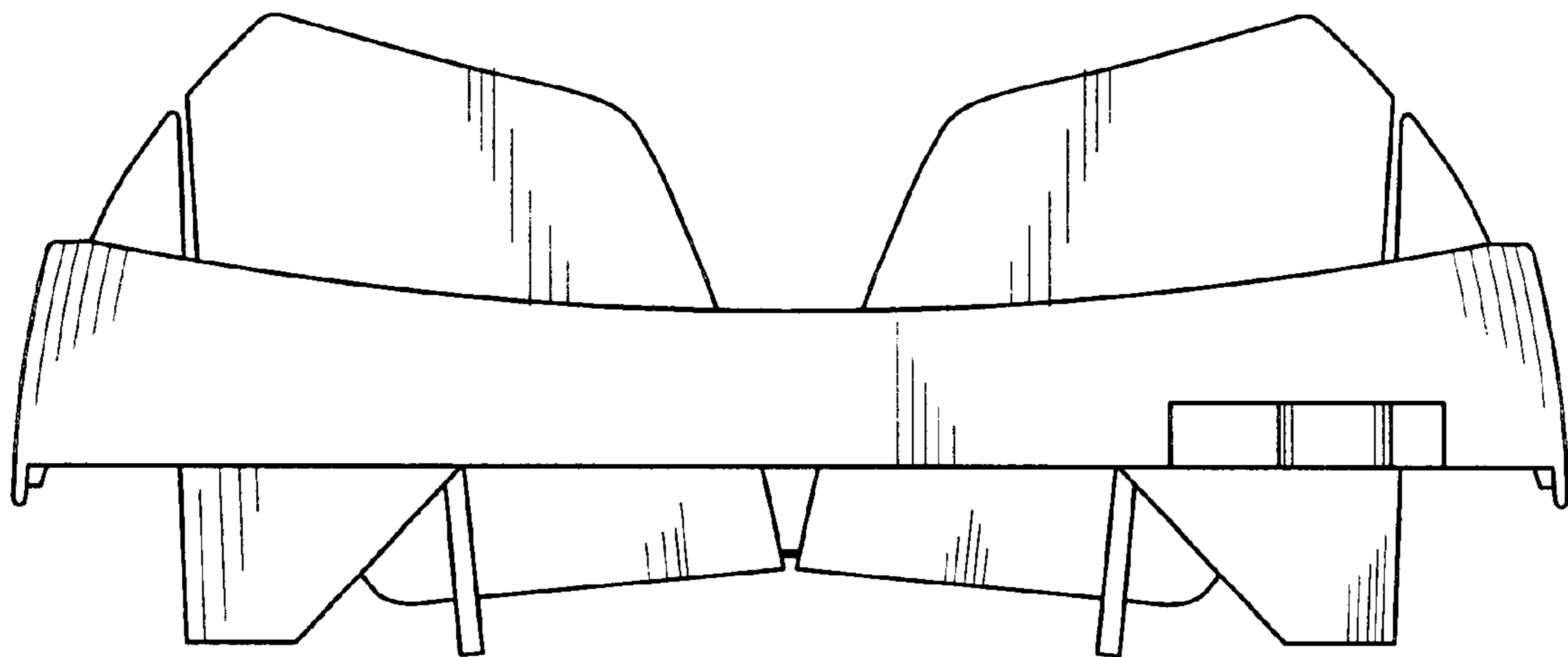


FIG. 10

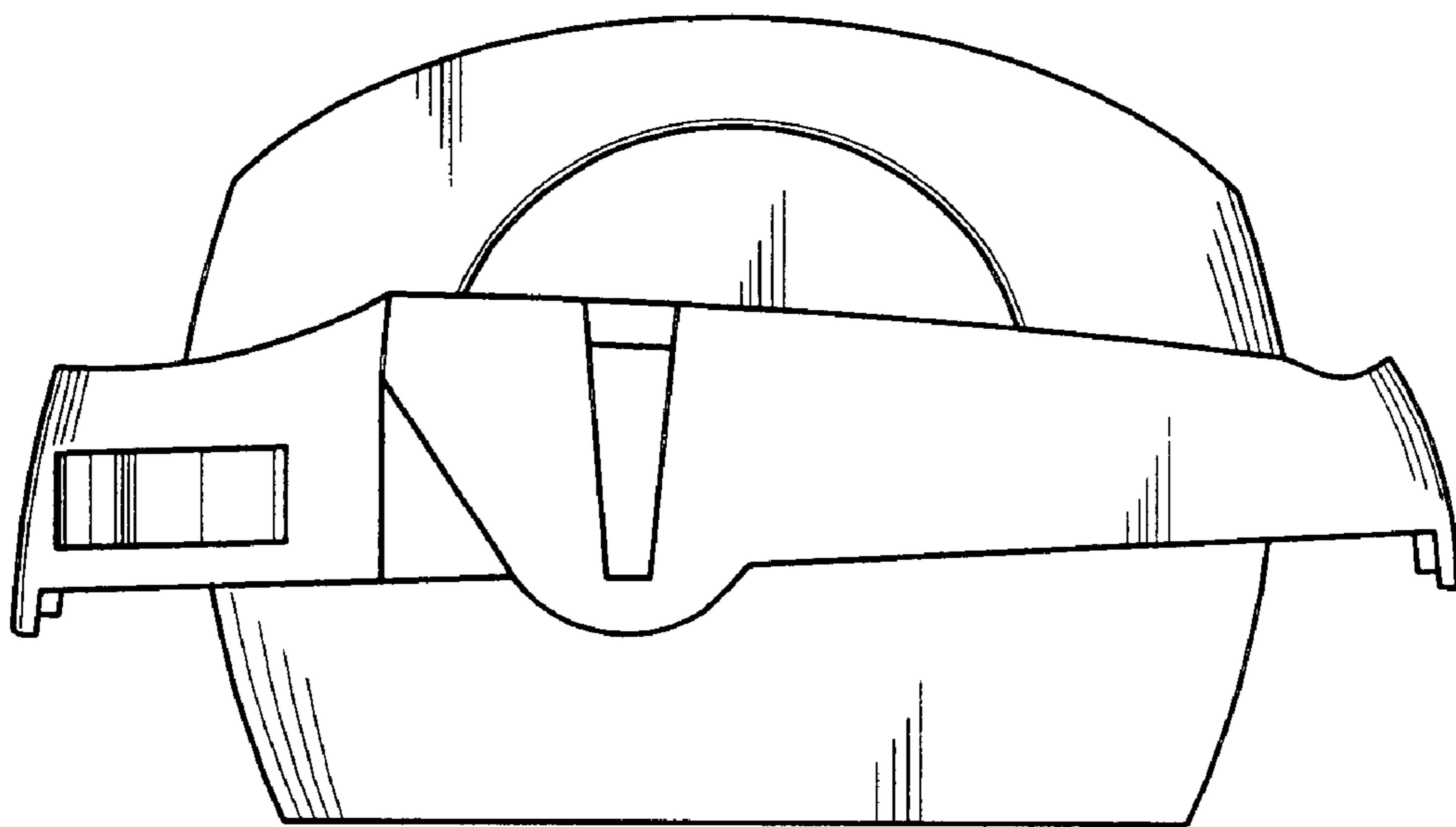


FIG. 11

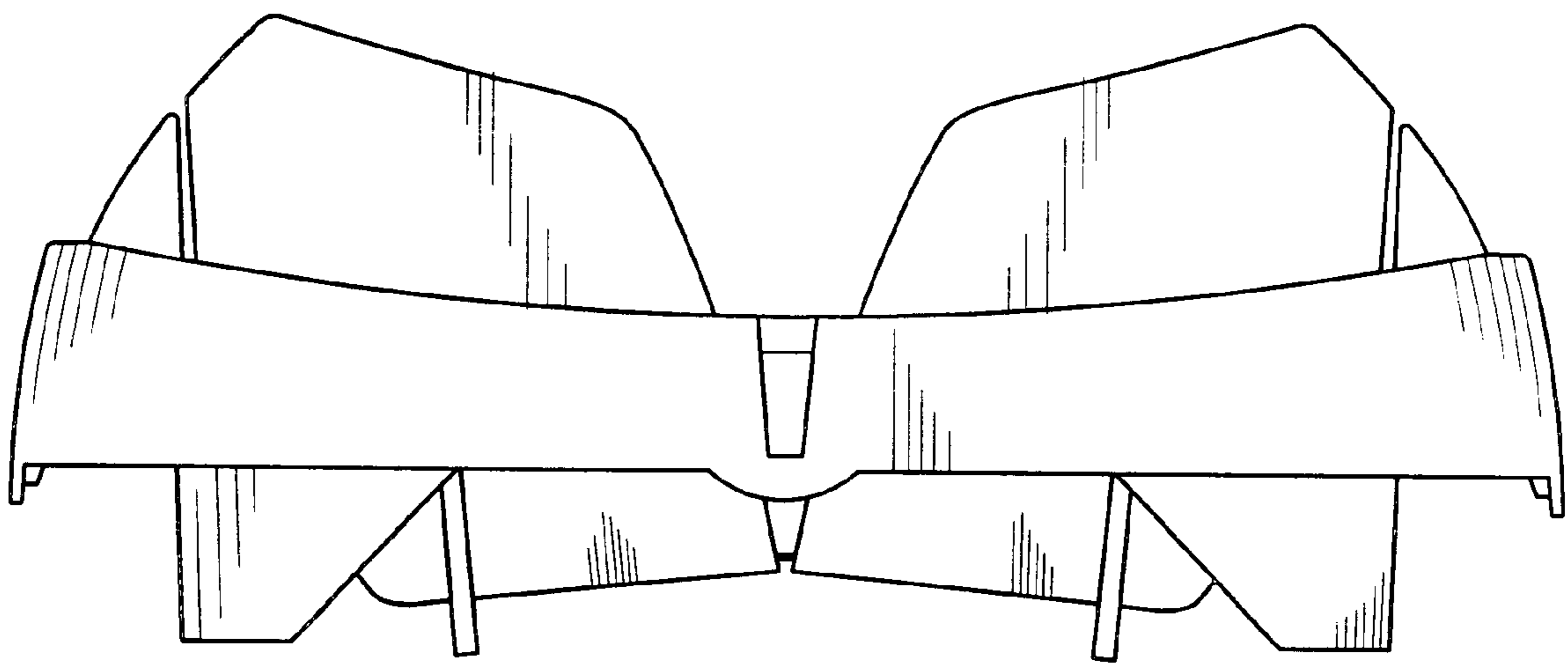


FIG. 12

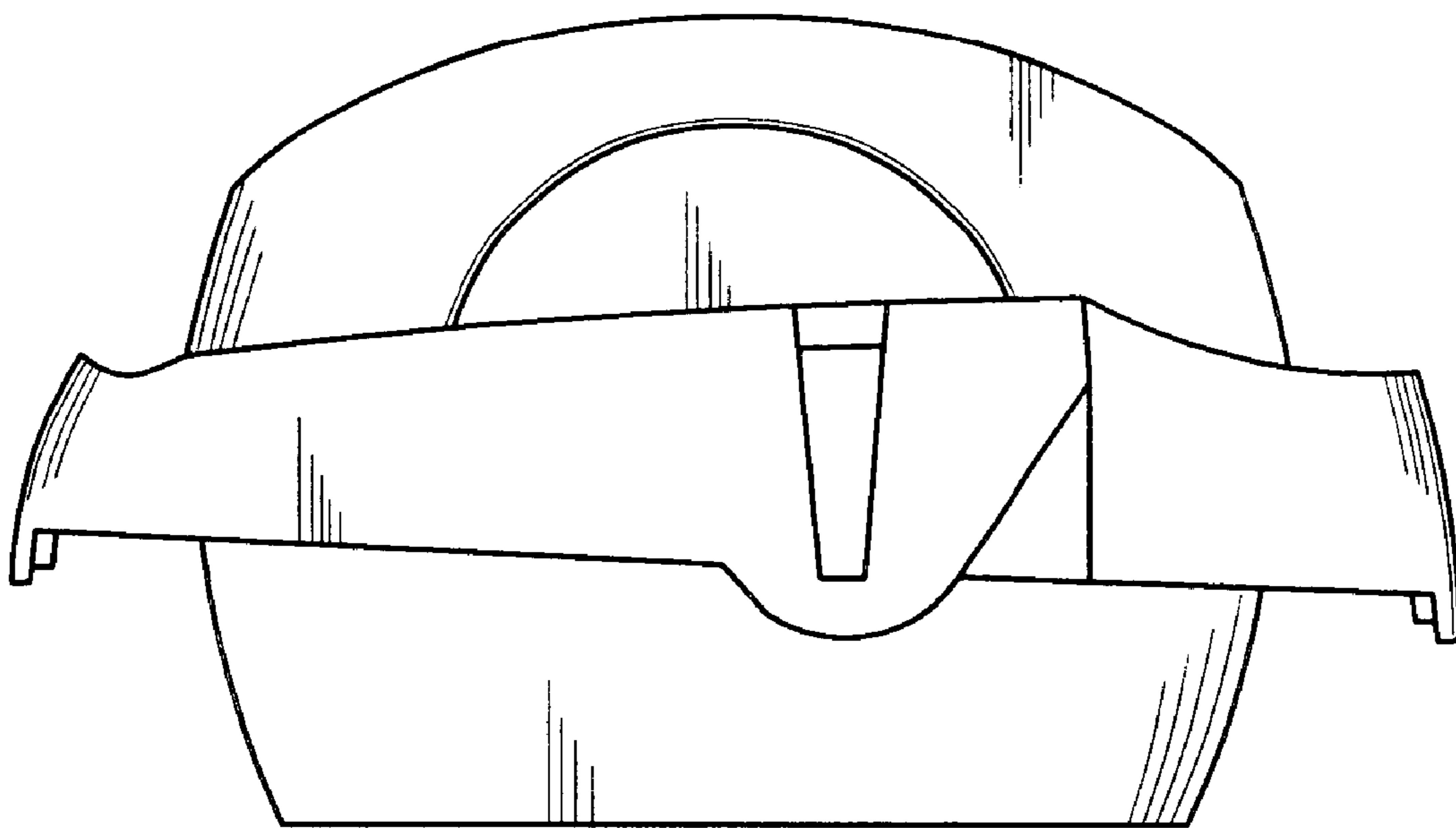


FIG. 13