



US00D516762S

(12) **United States Design Patent**  
**Young**

(10) **Patent No.:** **US D516,762 S**  
(45) **Date of Patent:** **\*\* Mar. 7, 2006**

(54) **SPONGE**

(76) **Inventor:** **Allen F. Young**, 5015 NW. 75th Ct.,  
Coconut Creek, FL (US) 33073

(\*\*) **Term:** **14 Years**

4,197,338 A	4/1980	Perna	
D271,817 S	12/1983	Collin	
5,857,411 A	1/1999	Carsel	
5,885,349 A	3/1999	Giallourakis	
6,013,132 A *	1/2000	Tramont	..... 15/210.5 X
6,227,959 B1	5/2001	Beaudry	

(21) **Appl. No.:** **29/215,919**

(22) **Filed:** **Oct. 27, 2004**

(51) **LOC (8) Cl.** ..... **04-01**

(52) **U.S. Cl.** ..... **D32/40; D28/63**

(58) **Field of Classification Search** ..... D4/120,  
D4/137; D28/7, 63; D32/40, 42, 43, 52; 15/118,  
15/209.1, 210.1, 210.5, 244.1, 244.3, 244.4,  
15/229.11, 229.12, 229.13, 104.93, 104.94;  
401/6, 201; 541/533, 534, 536-539; 601/136-138  
See application file for complete search history.

**FOREIGN PATENT DOCUMENTS**

GB 2020178 A \* 11/1979

\* cited by examiner

*Primary Examiner*—Alan P. Douglas

*Assistant Examiner*—Lavone D. Tabor

(74) *Attorney, Agent, or Firm*—Lawrence J. Gibney, Jr.

(57) **CLAIM**

The ornamental design for a sponge, as shown and described.

**DESCRIPTION**

FIG. 1 is a top view of the device.

FIG. 2 is a bottom view of the device.

FIG. 3 is a side view of the device.

FIG. 4 is a side view of the device; and,

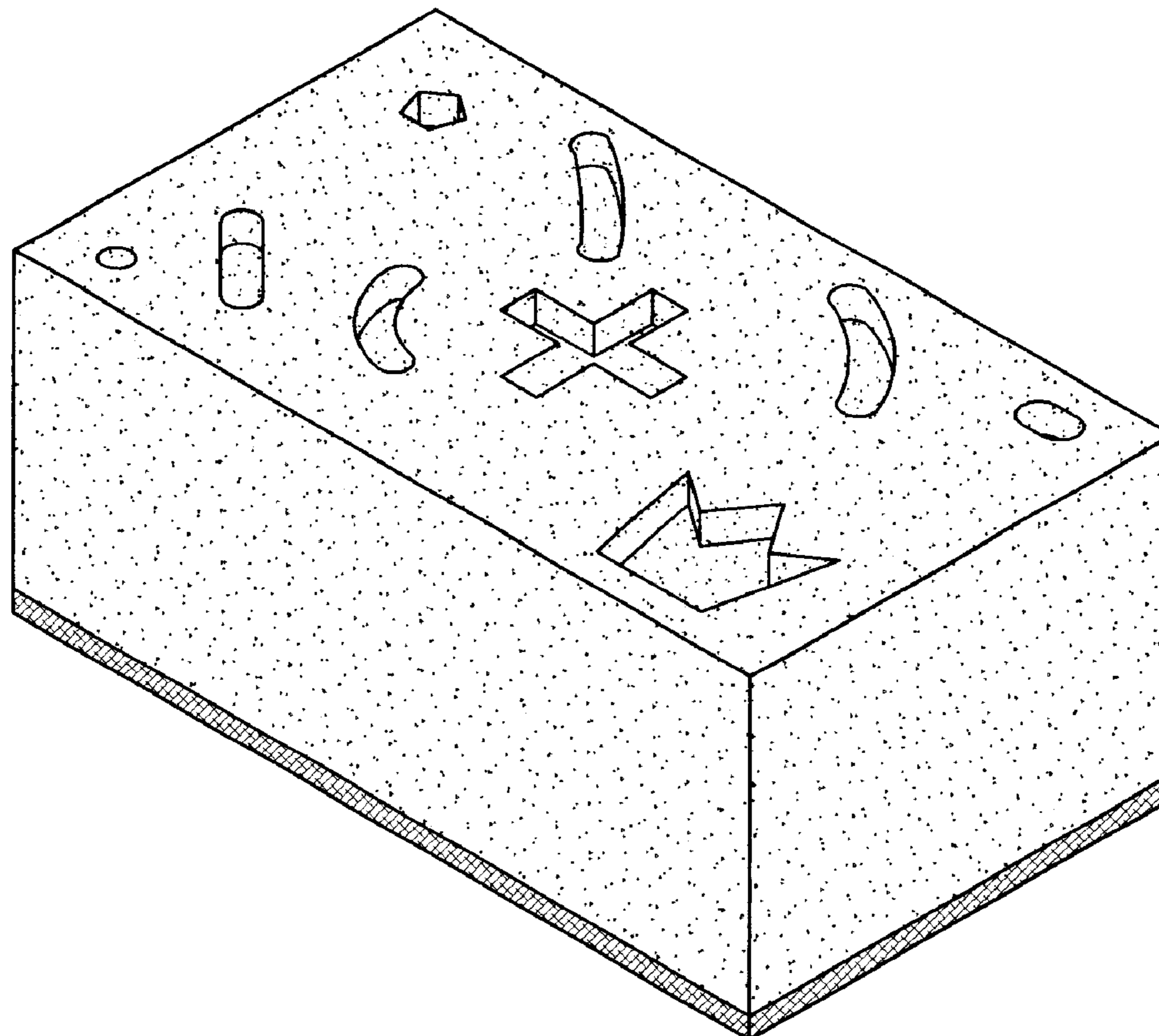
FIG. 5 is a perspective view of the device.

(56) **References Cited**

**U.S. PATENT DOCUMENTS**

1,943,365 A *	1/1934	Borden	..... 15/244.4
3,570,036 A *	3/1971	Gilchrist et al.	..... 15/104.94
3,861,993 A *	1/1975	Guthrie	..... 15/118 X
3,878,581 A	4/1975	Perna	
4,030,414 A *	6/1977	McGuire	..... 15/210.5 X

**1 Claim, 3 Drawing Sheets**



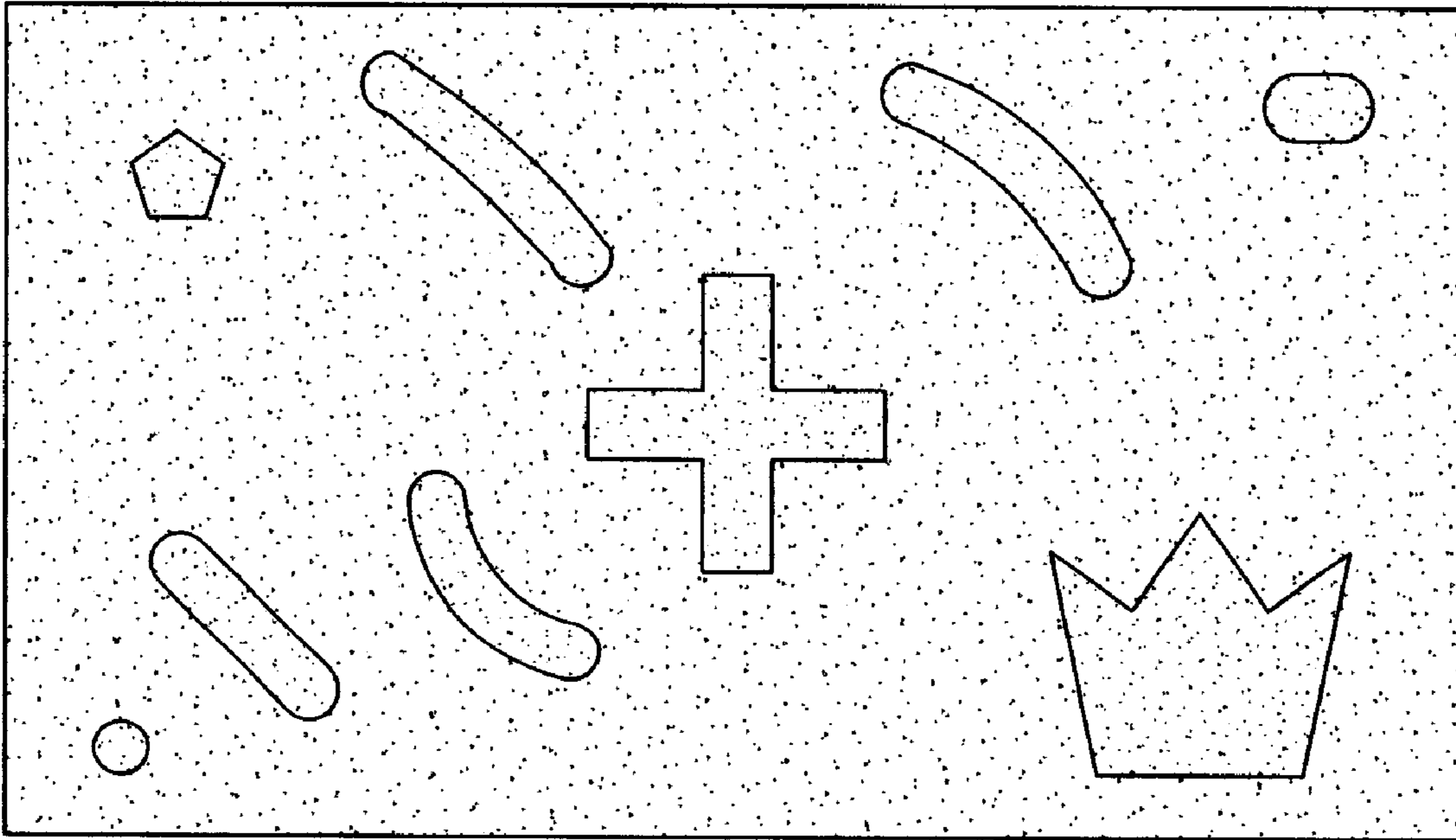


FIG. 1

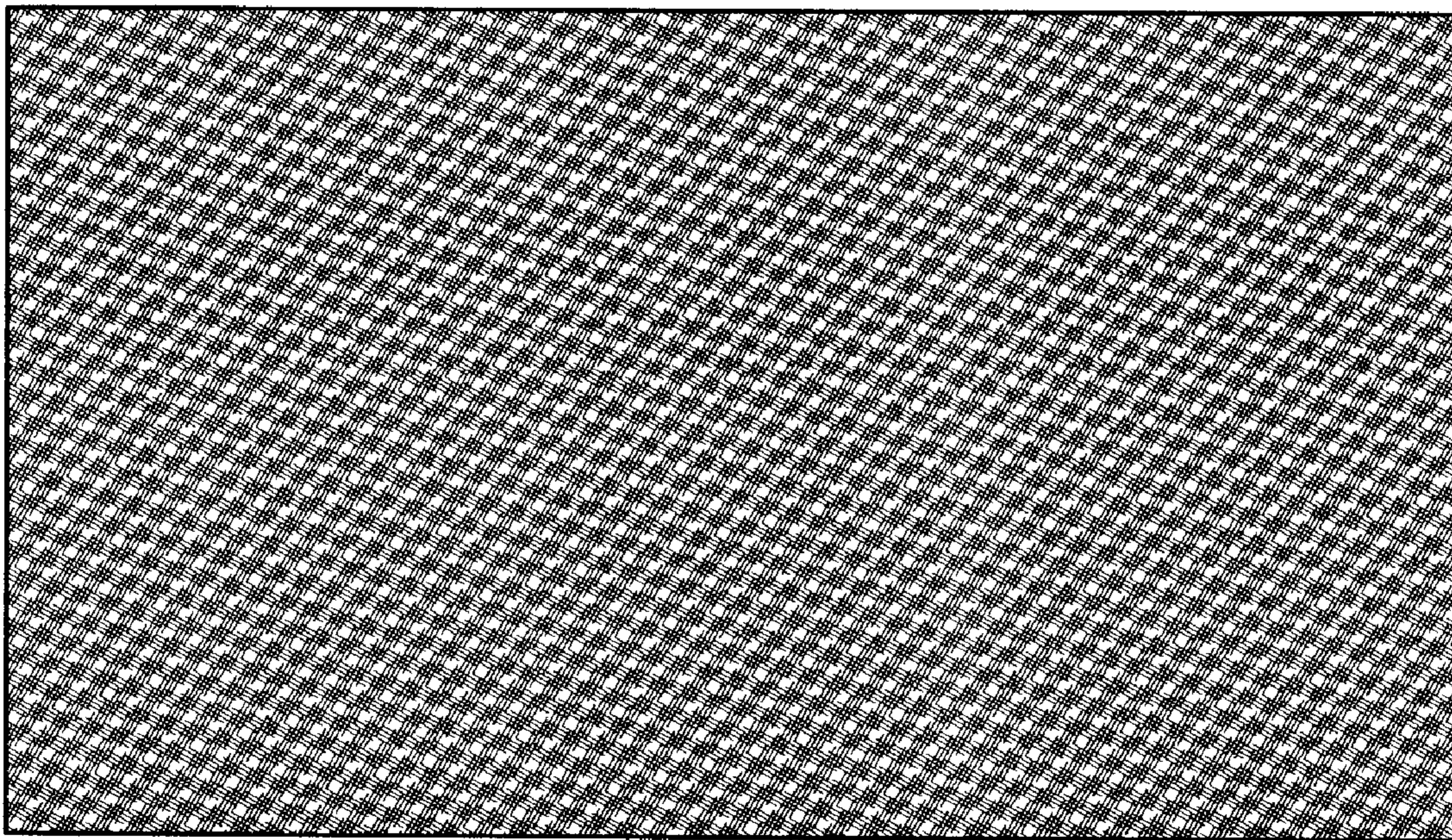


FIG. 2

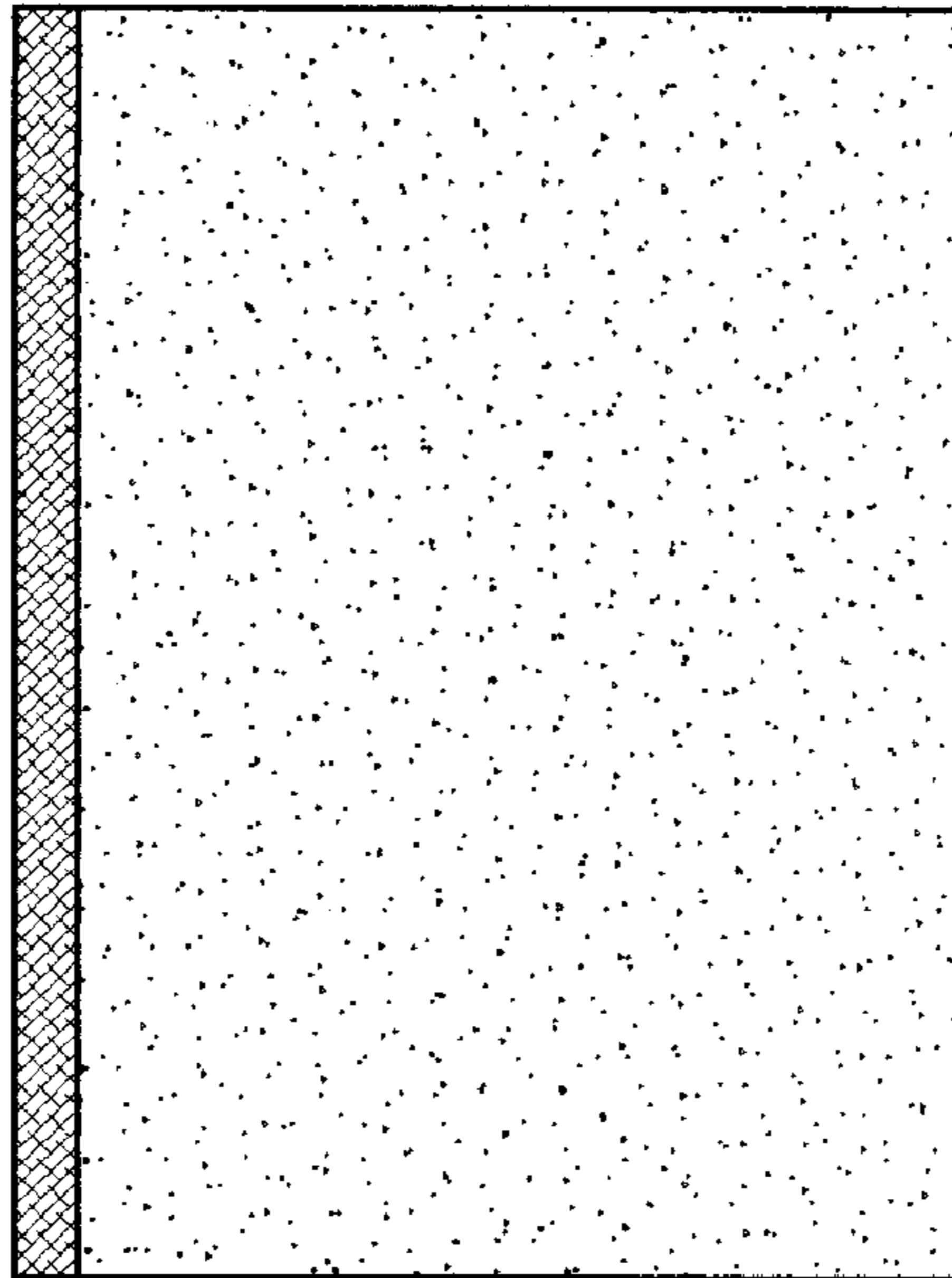


FIG. 3

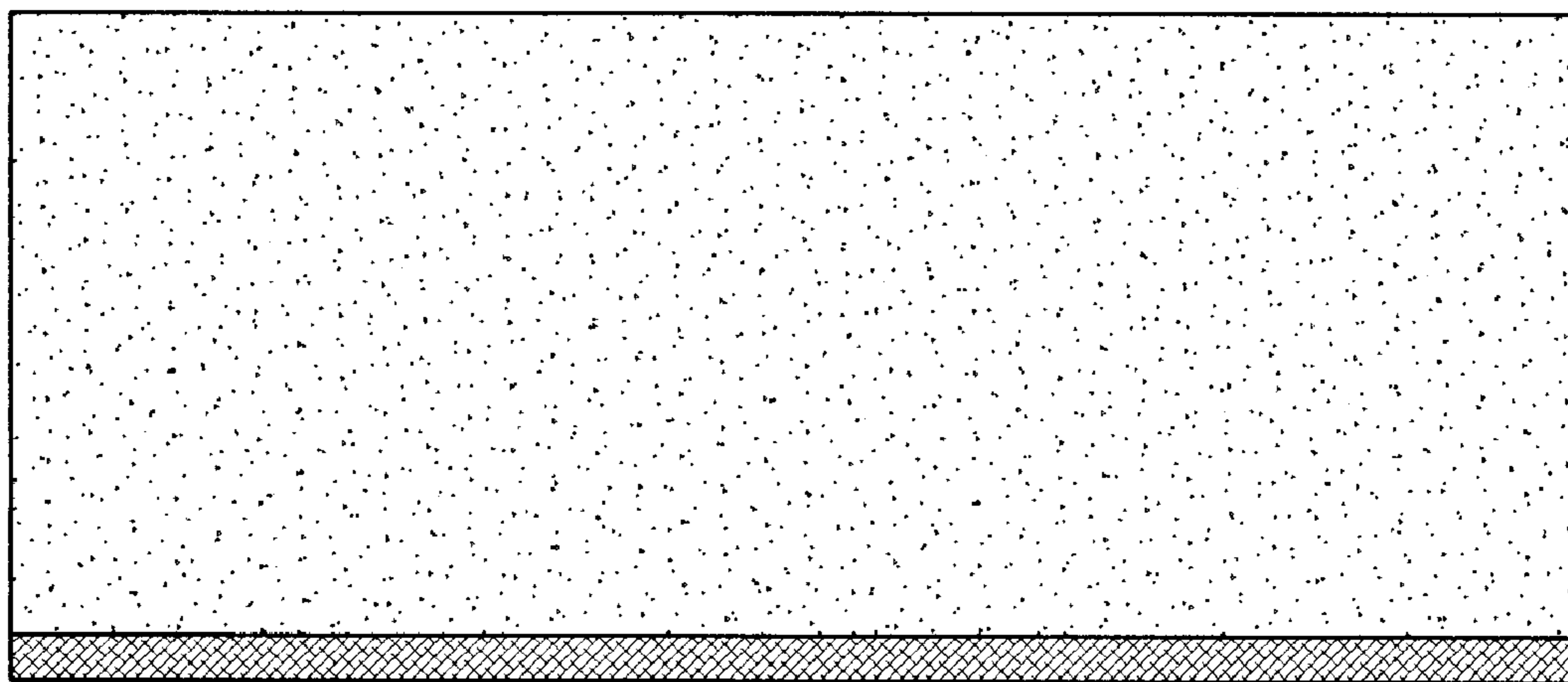


FIG. 4

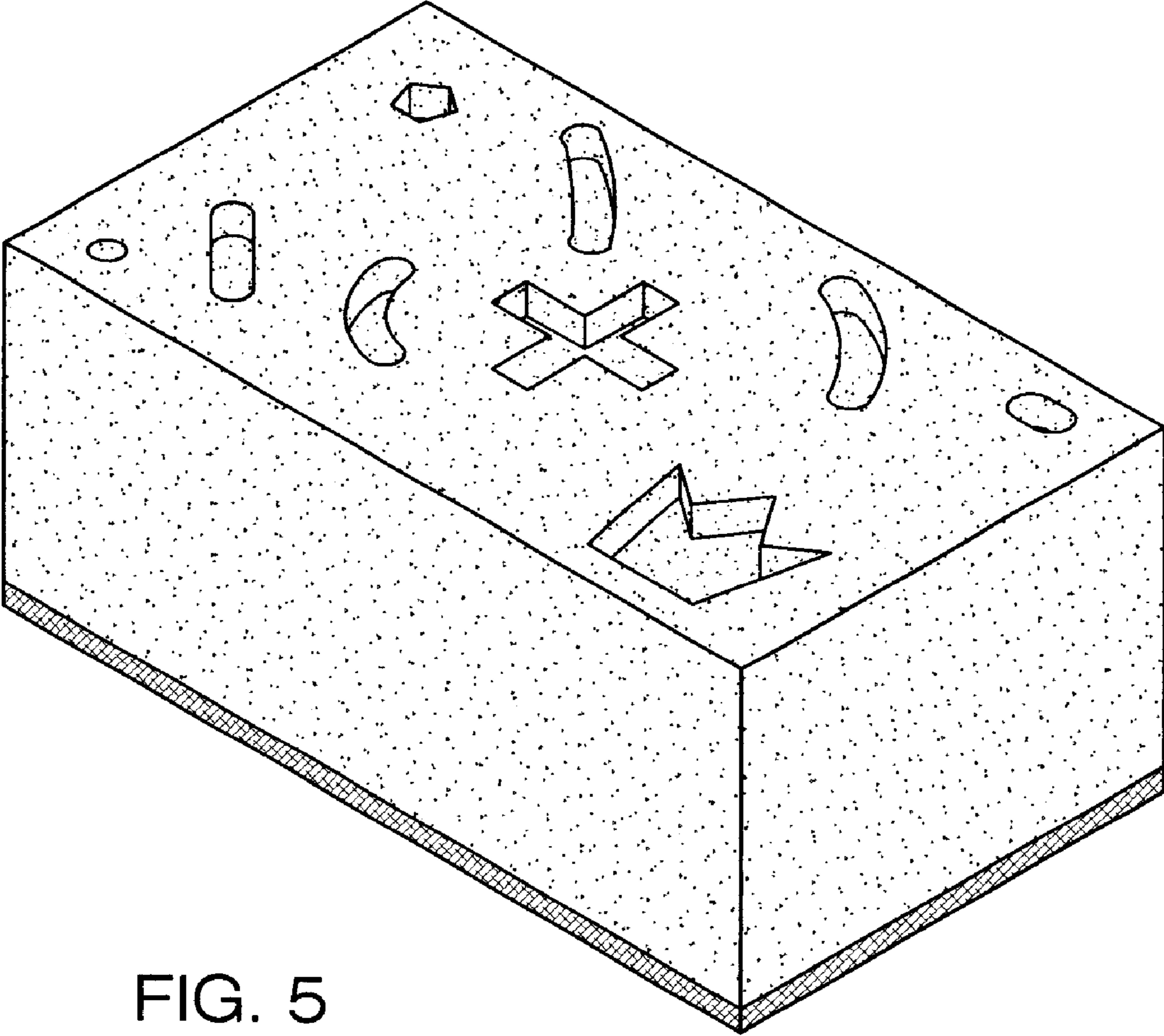


FIG. 5