



US00D516757S

(12) **United States Design Patent**
Hedstrom et al.

(10) **Patent No.: US D516,757 S**
(45) **Date of Patent: ** Mar. 7, 2006**

(54) **UTILITY SHELF FOR A DISHWASHER**

(75) Inventors: **Kristen K. Hedstrom**, Humboldt, TN (US); **Mark E. Palm**, Jackson, TN (US)

(73) Assignee: **Maytag Corporation**, Newton, IA (US)

(**) Term: **14 Years**

(21) Appl. No.: **29/206,533**

(22) Filed: **Jun. 2, 2004**

(51) **LOC (8) Cl. 15-05**

(52) **U.S. Cl. D32/3; D32/2**

(58) **Field of Classification Search** D32/3, D32/55; 312/228, 311, 228.1; D3/314; 220/835, 220/501; 119/51.01; 134/104.1, 135, 201; 206/509; 211/41.1, 41.2, 41.8, 41.9; D12/419
See application file for complete search history.

(56) **References Cited**

U.S. PATENT DOCUMENTS

3,126,098	A	*	3/1964	Geiger et al.	211/41.8
3,269,548	A	*	8/1966	Geiger et al.	211/41.8
3,402,975	A		9/1968	Smith		
D213,130	S	*	1/1969	Keen et al.	D32/3
3,665,943	A		5/1972	Lampman et al.		
3,934,728	A		1/1976	Guth		
4,046,261	A	*	9/1977	Yake	211/41.8
4,635,799	A		1/1987	Penner		
4,917,248	A		4/1990	Friskney		

(Continued)

FOREIGN PATENT DOCUMENTS

DE	3417744	11/1985
DE	19540610	5/1997
DE	19540611	5/1997
EP	1005827	6/2000
JP	11206692	8/1999
JP	11225939	8/1999
JP	2000217769	8/2000
JP	2001231737	8/2001

Primary Examiner—Louis S. Zarfes

Assistant Examiner—Kathleen Sims

(74) *Attorney, Agent, or Firm*—Diederiks & Whitelaw, PLC

(57) **CLAIM**

The ornamental design for a utility shelf for a dishwasher, as shown and described.

DESCRIPTION

FIG. 1 is an upper right perspective view of our new utility shelf design shown pivotally mounted to a dishwasher dish rack;

FIG. 2 is an upper top right perspective view of our new utility shelf design;

FIG. 3 is a top plan view of the utility shelf of the invention depicted in a closed position;

FIG. 4 is a top plan view of the utility shelf of the invention depicted in an open position;

FIG. 5 is a bottom plan view of the utility shelf of the invention depicted in a closed position;

FIG. 6 is a bottom plan view of the utility shelf of the invention depicted in an open position;

FIG. 7 is a right side elevational view showing the utility shelf of FIG. 1 in a closed position, with the left side elevational view being a mirror image thereof;

FIG. 8 is a right side elevational view showing the utility shelf of FIG. 1 in an open position, with the left side elevational view being a mirror image thereof;

FIG. 9 is a front elevational view of the utility shelf of the invention depicted in a closed position;

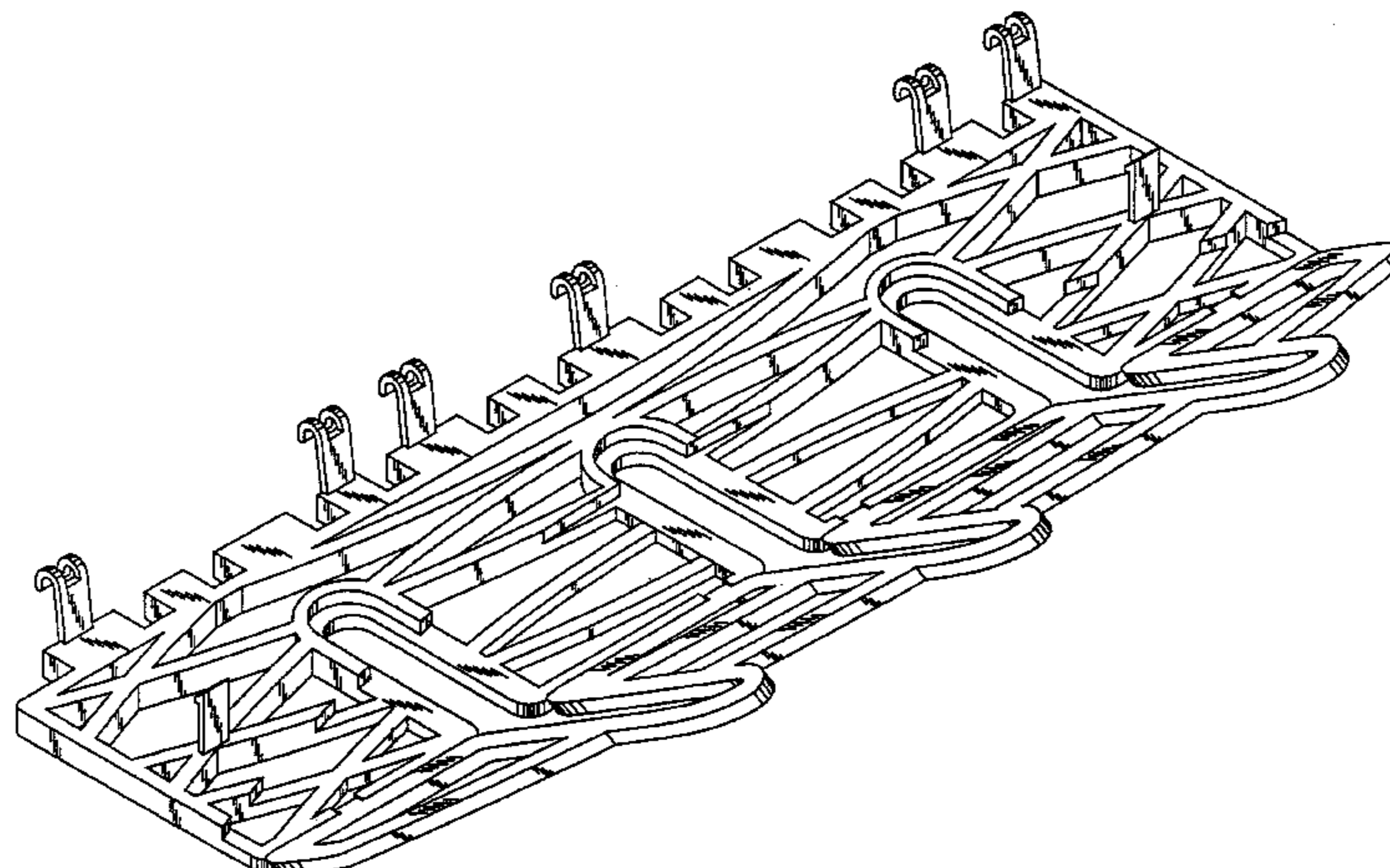
FIG. 10 is a front elevational view of the utility shelf of the invention depicted in an open position

FIG. 11 is a rear elevational view of the utility shelf of the invention depicted in a closed position; and,

FIG. 12 is a rear elevational view of the utility shelf of the invention depicted in an open position.

The broken lines in FIG. 1 showing dishwasher drawer, dishwasher rack, countertop, cabinetry and floor details are for illustrative purposes only and form no part of the claimed invention.

1 Claim, 9 Drawing Sheets



US D516,757 S

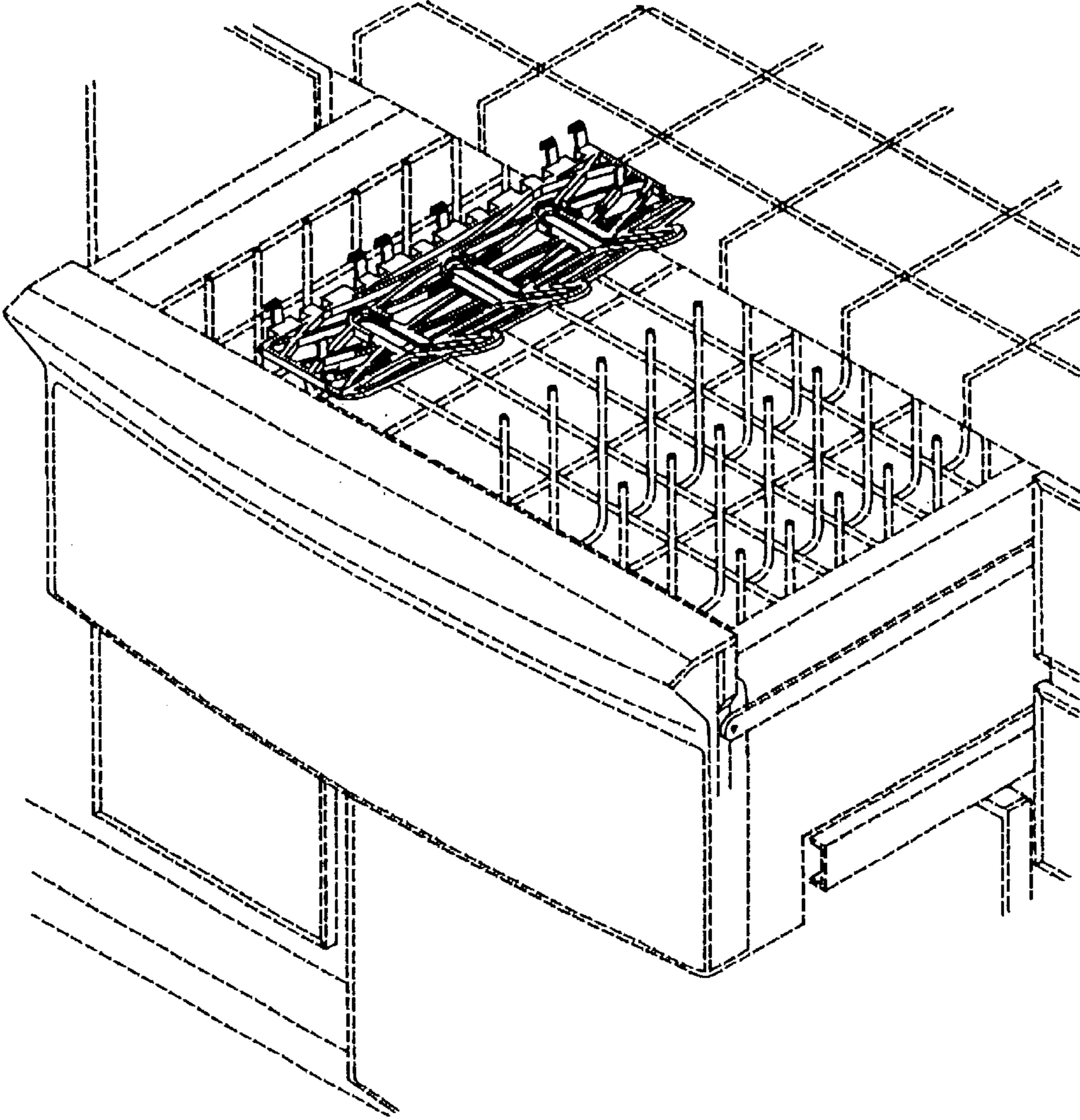
Page 2

U.S. PATENT DOCUMENTS

5,158,185	A	10/1992	Michael et al.				
5,205,419	A	* 4/1993	Purtilo	211/41.8	5,480,035	A	* 1/1996 Smith
5,287,984	A	* 2/1994	Michael	220/812			
5,344,029	A	* 9/1994	Oghia et al.	211/41.8	5,649,630	A	7/1997 Remmler
5,351,837	A	* 10/1994	Smith	211/41.8	D399,614	S	* 10/1998 Goodin et al.
5,431,294	A	7/1995	Stottmann et al.		D481,179	S	* 10/2003 Wendt et al.
					2002/0148494	A1	10/2002 Smith et al.

* cited by examiner

FIG. 1



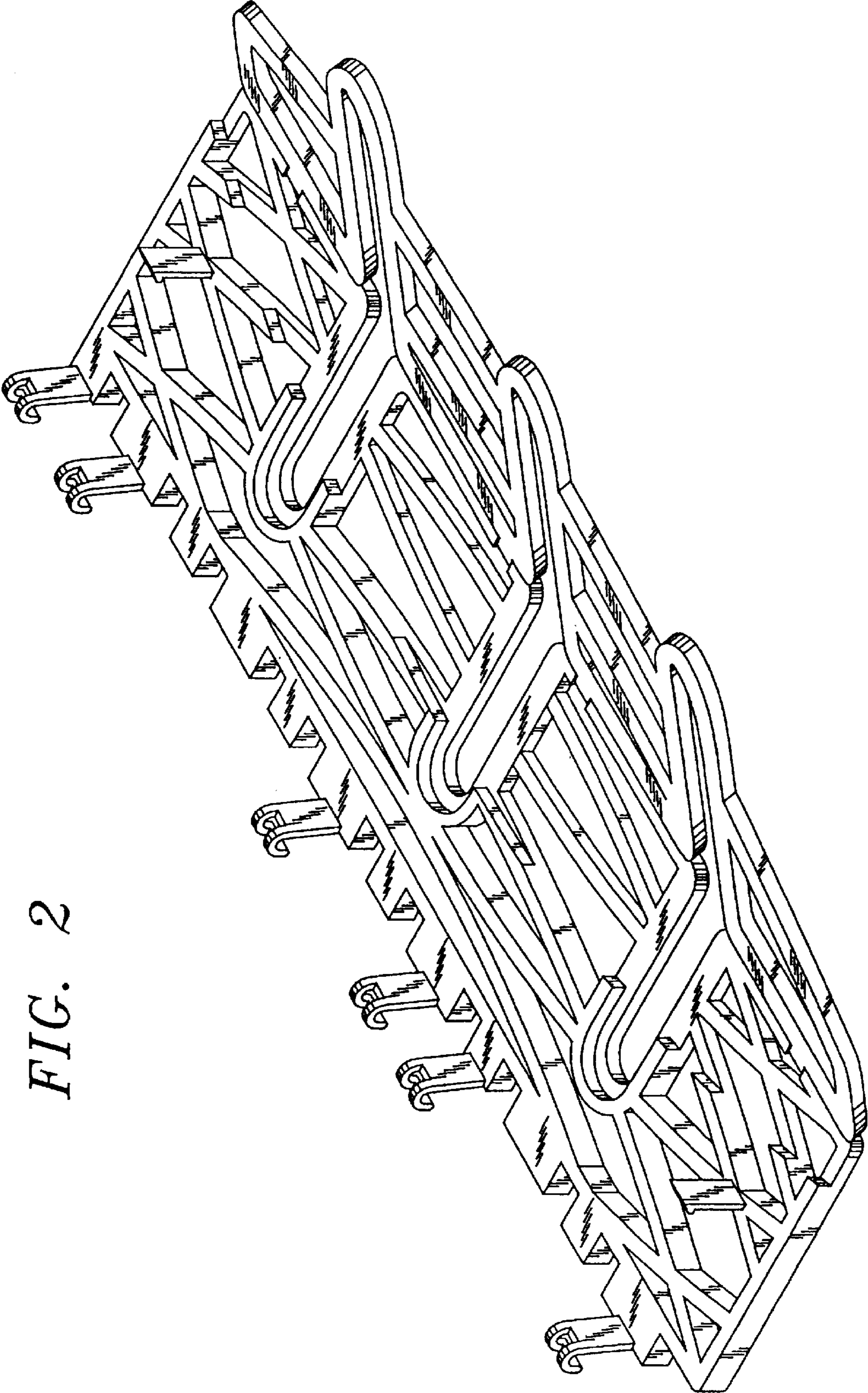


FIG. 2

FIG. 3

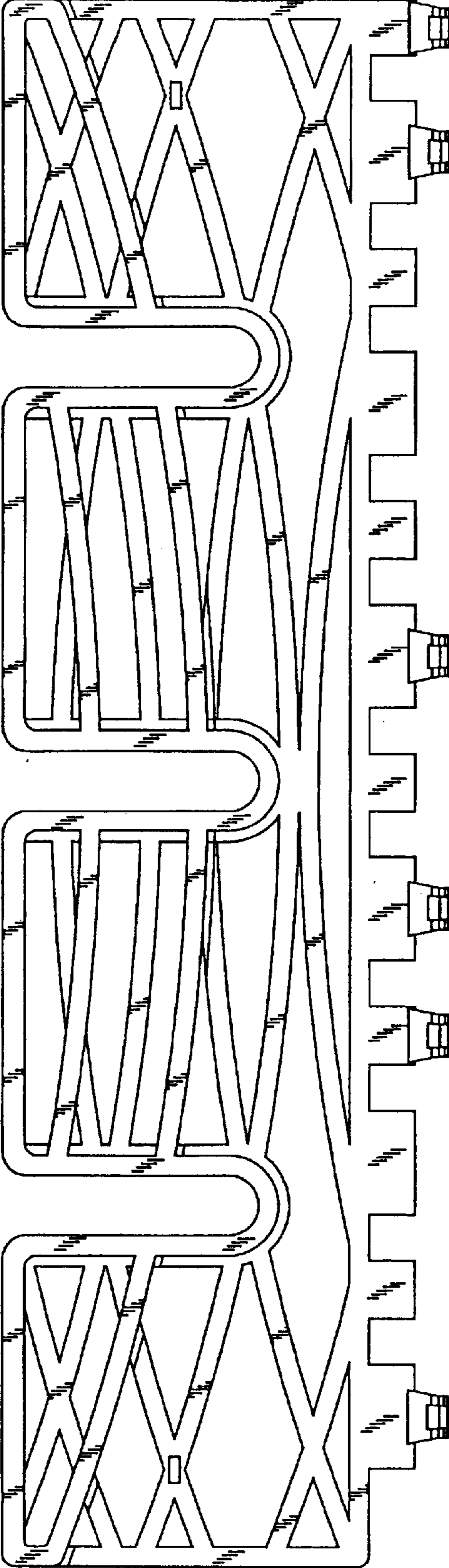


FIG. 4

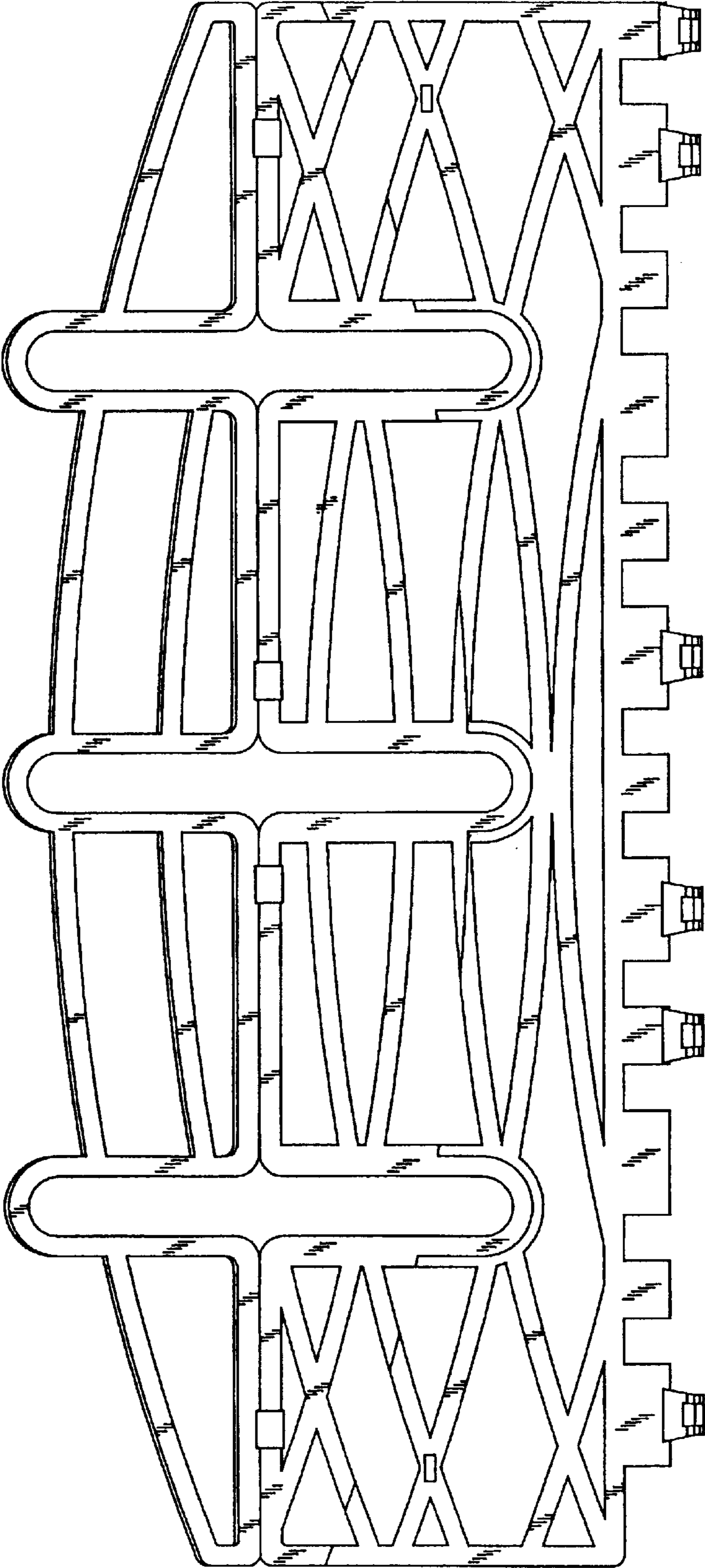


FIG. 5

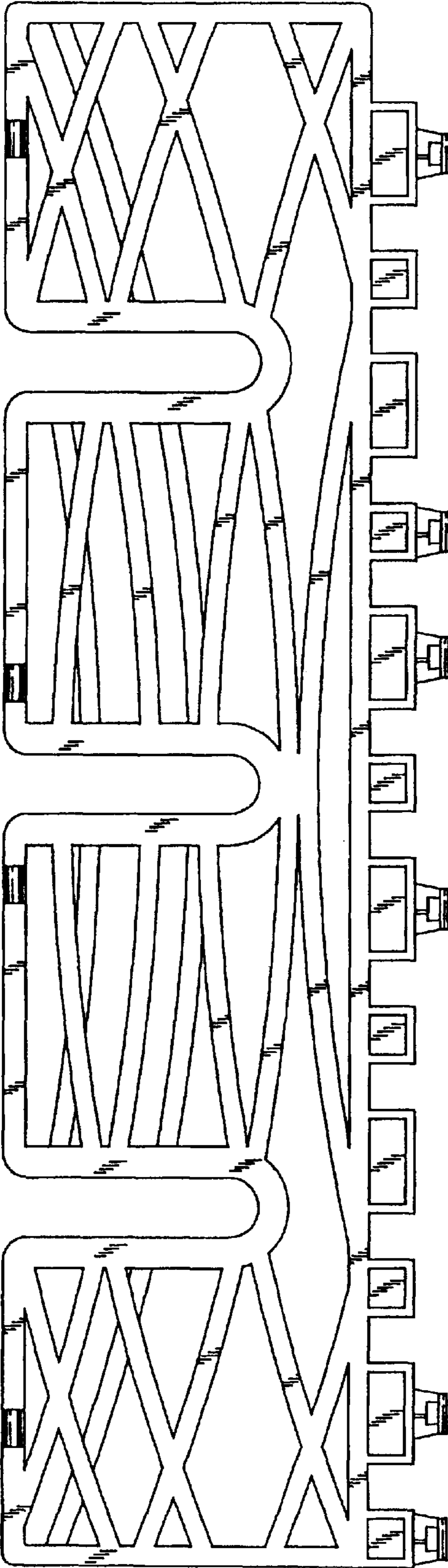


FIG. 6

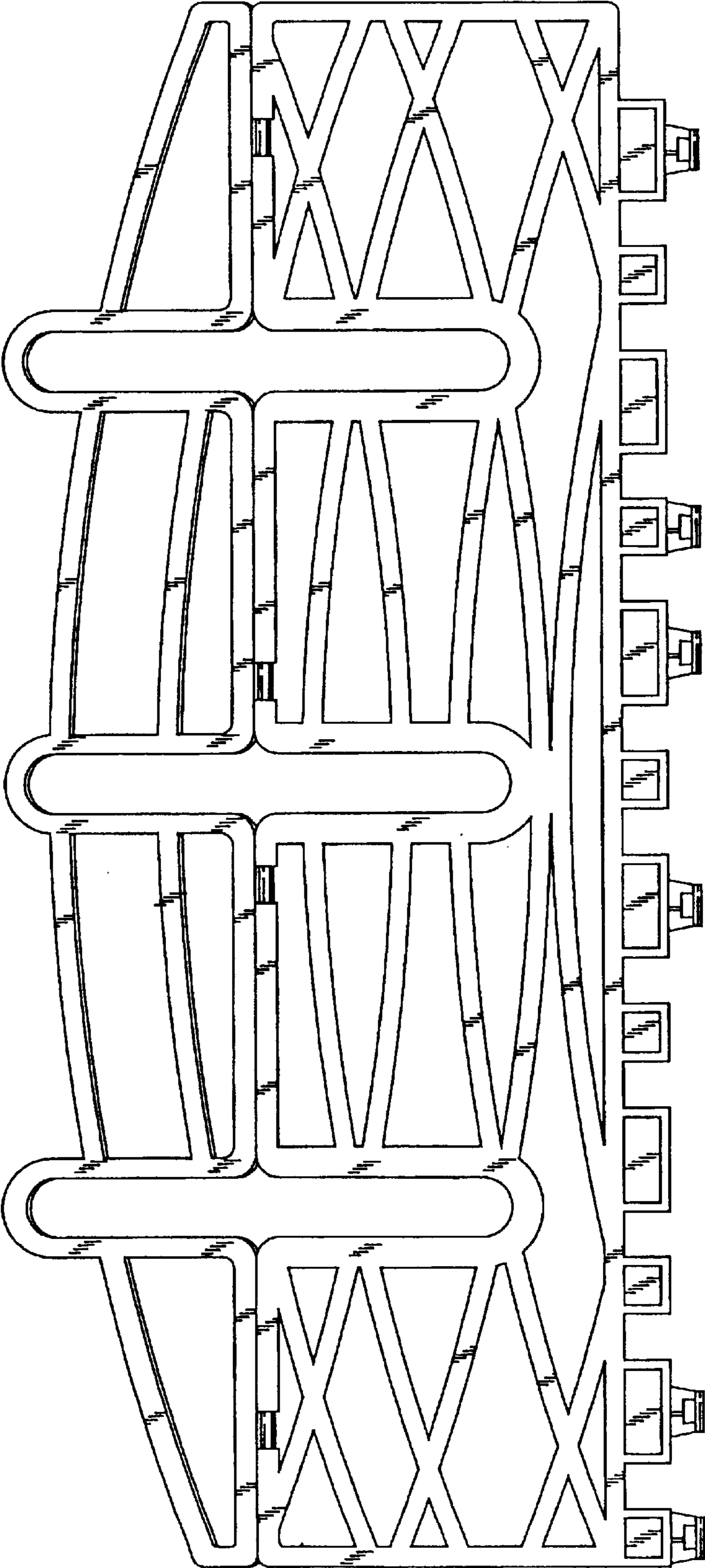


FIG. 8

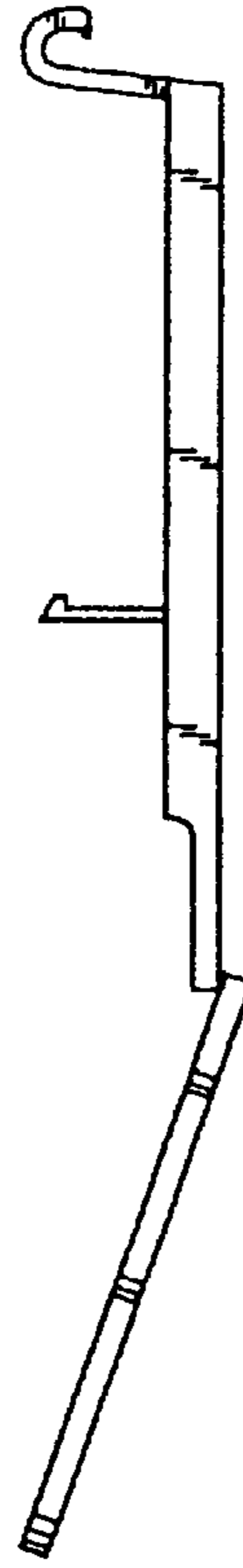


FIG. 7



FIG. 9

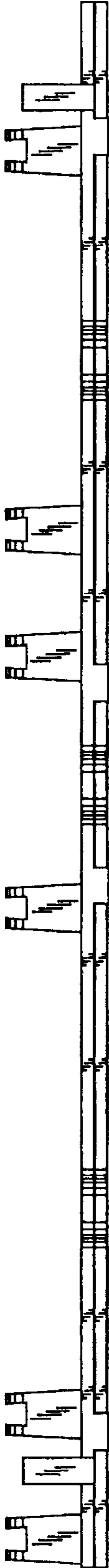


FIG. 10

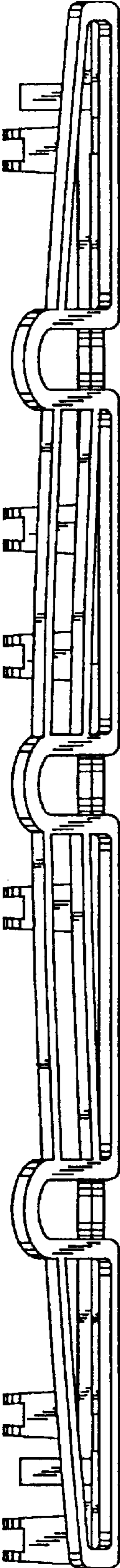


FIG. 11

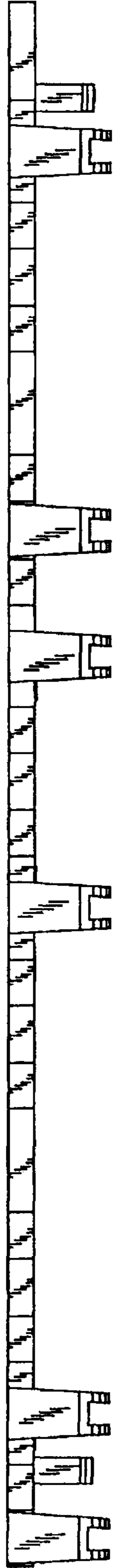


FIG. 12

