



US00D516756S

(12) **United States Design Patent**
Curtis

(10) **Patent No.:** **US D516,756 S**
(45) **Date of Patent:** **** Mar. 7, 2006**

(54) **ANIMAL LEASH**

(76) **Inventor:** **Allan Curtis**, 480 Barnum Ave., Suite 6, Bridgeport, CT (US) 06608

(**) **Term:** **14 Years**

(21) **Appl. No.:** **29/216,667**

(22) **Filed:** **Nov. 5, 2004**

(51) **LOC (8) Cl.** **30-04**

(52) **U.S. Cl.** **D30/153**

(58) **Field of Classification Search** 119/792-98,
119/758, 760, 769-70, 712, 784, 802, 856,
119/857, 863, 865; D30/151-54; 54/71; D3/271.2
See application file for complete search history.

(56) **References Cited**

U.S. PATENT DOCUMENTS

4,537,155	A	*	8/1985	Buratovich	119/797
5,005,527	A	*	4/1991	Hatfield	119/793
RE34,351	E	*	8/1993	Lacey	119/776
5,456,214	A	*	10/1995	Quilling	119/795
5,474,033	A	*	12/1995	Mitchell, Jr.	119/860
5,727,500	A	*	3/1998	Conboy	119/174
5,950,571	A	*	9/1999	Schade	119/859

D481,867 S * 11/2003 Hotz D3/271.2
2002/0035968 A1 * 3/2002 Prusia et al. 119/792

* cited by examiner

Primary Examiner—Lucy Lieberman
Assistant Examiner—Susan Moon Lee

(74) *Attorney, Agent, or Firm*—Howard C. Miskin, Esq.;
Gloria Tsui-Yip, Esq.

(57) **CLAIM**

The ornamental design for an animal leash, as shown and described.

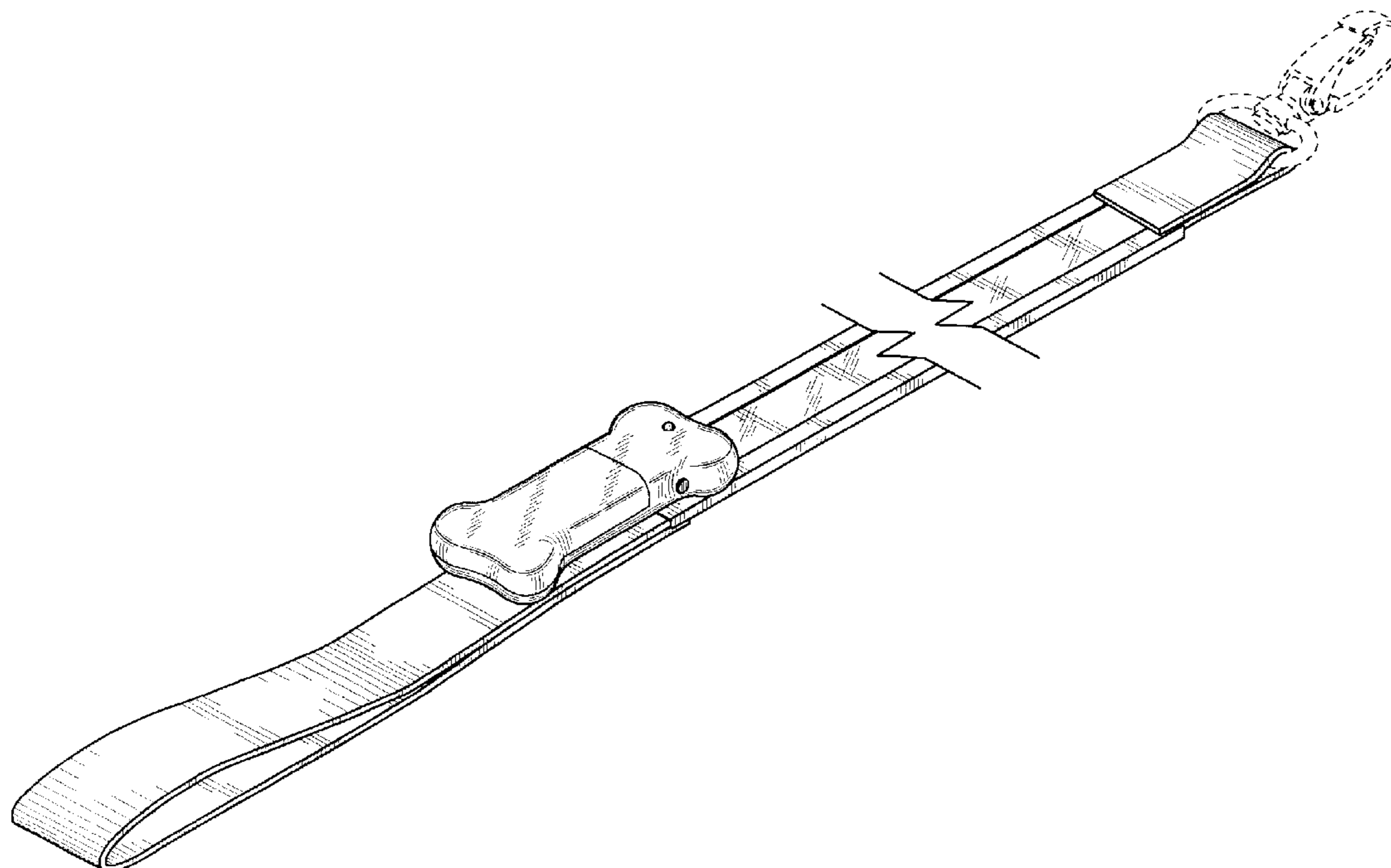
DESCRIPTION

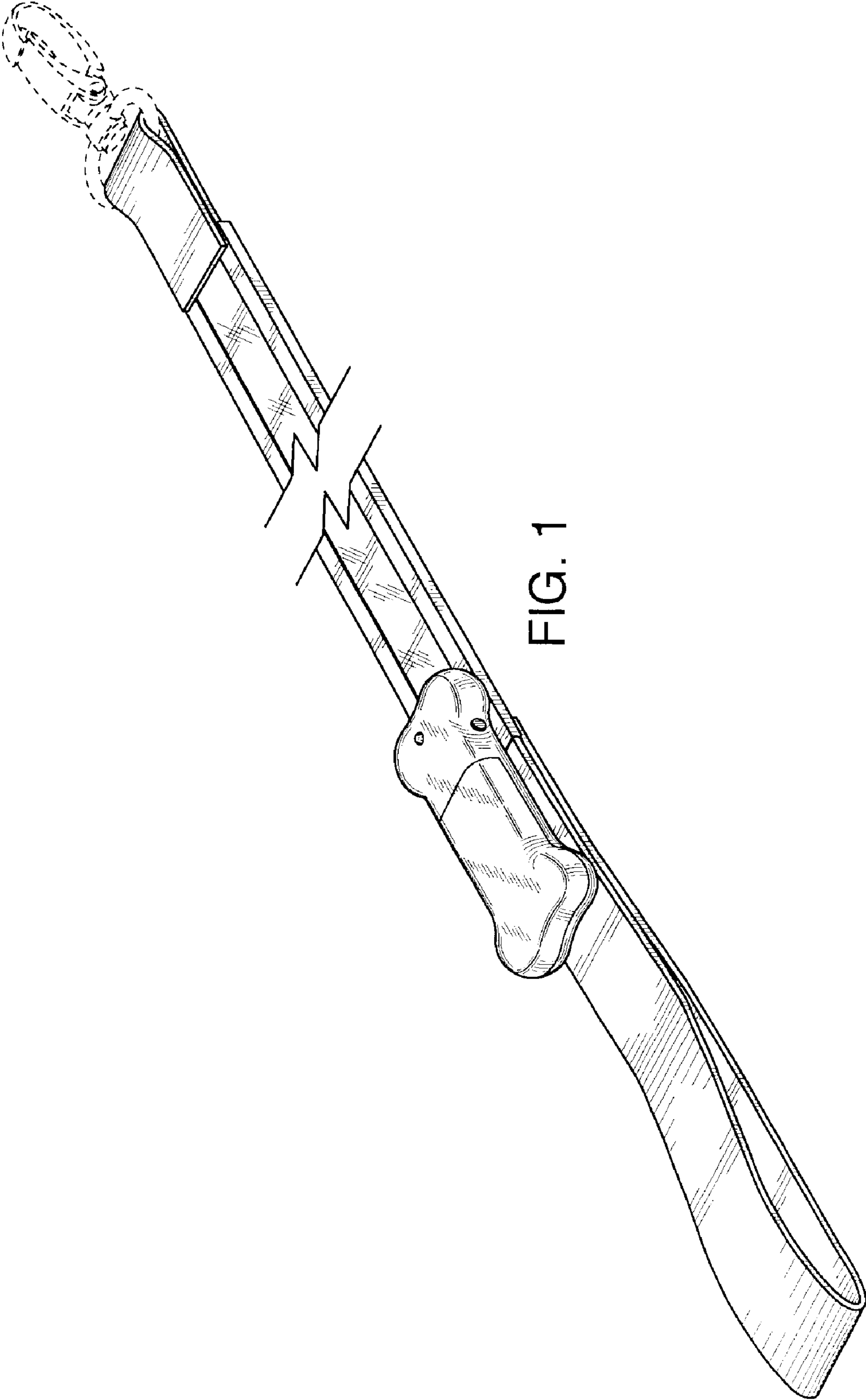
FIG. 1 is a perspective view of my new animal leash design.
FIG. 2 is a top plan view thereof;
FIG. 3 is a bottom plan view thereof;
FIG. 4 is a right side view thereof; and,
FIG. 5 is a front elevational view thereof.

The portions of the animal leash shown broken away are for indicating indeterminate length.

The broken line showing of a bundle is for illustrative purposes only and forms no part of the claimed design.

1 Claim, 4 Drawing Sheets





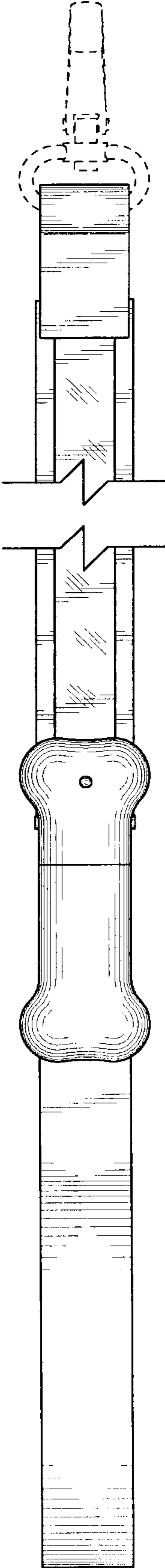


FIG. 2

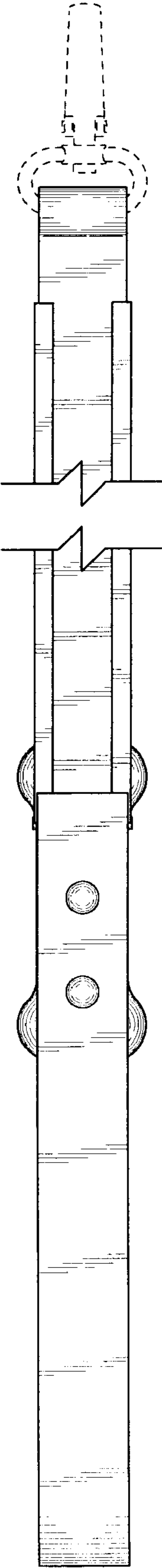


FIG. 3

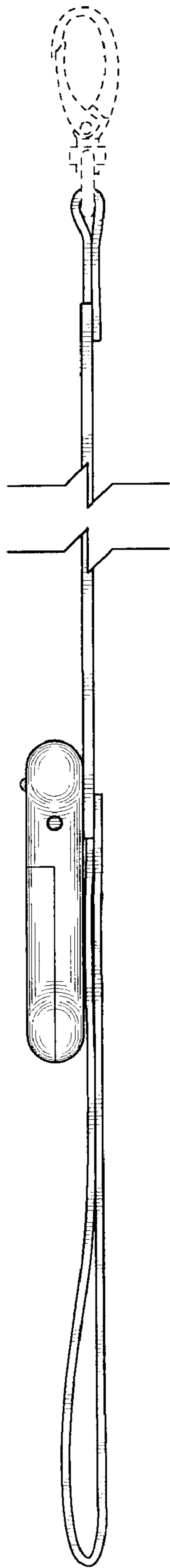


FIG. 4

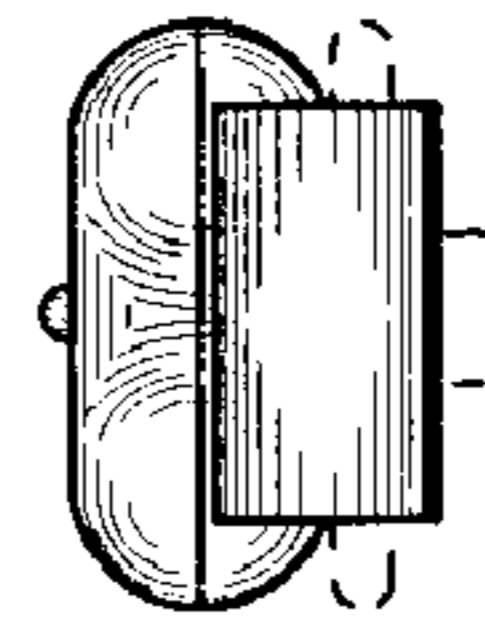


FIG. 5