



US00D516754S

(12) **United States Design Patent**
Curtis

(10) **Patent No.:** **US D516,754 S**
(45) **Date of Patent:** **** Mar. 7, 2006**

(54) **ANIMAL COLLAR**

D454,415 S * 3/2002 Leverenz D30/152

(76) **Inventor:** **Allan Curtis**, 480 Baraum Ave. Suite 6,
Bridgeport, CT (US) 06608

* cited by examiner

(**) **Term:** **14 Years**

Primary Examiner—Lucy Lieberman
Assistant Examiner—Susan Moon Lee
(74) *Attorney, Agent, or Firm*—Howard C. Miskin, Esq.;
Gloria Tsui-Yip, Esq.

(21) **Appl. No.:** **29/216,668**

(22) **Filed:** **Nov. 5, 2004**

(57) **CLAIM**

(51) **LOC (8) Cl.** **30-04**

The ornamental design for an animal collar, as shown and described.

(52) **U.S. Cl.** **D30/152**

(58) **Field of Classification Search** D30/152,
D30/144, 199; 119/850, 855, 856–858, 863–865,
119/654, 793; D2/609, 606, 627, 624; 2/144,
2/145, 149, 151, 154–156

DESCRIPTION

See application file for complete search history.

FIG. 1 is a perspective view of my new animal collar design;
FIG. 2 is a front elevational view thereof;
FIG. 3 is a left side view thereof;
FIG. 4 is a right side view thereof;
FIG. 5 is a top plan view thereof; and,
FIG. 6 is a bottom plan thereof.

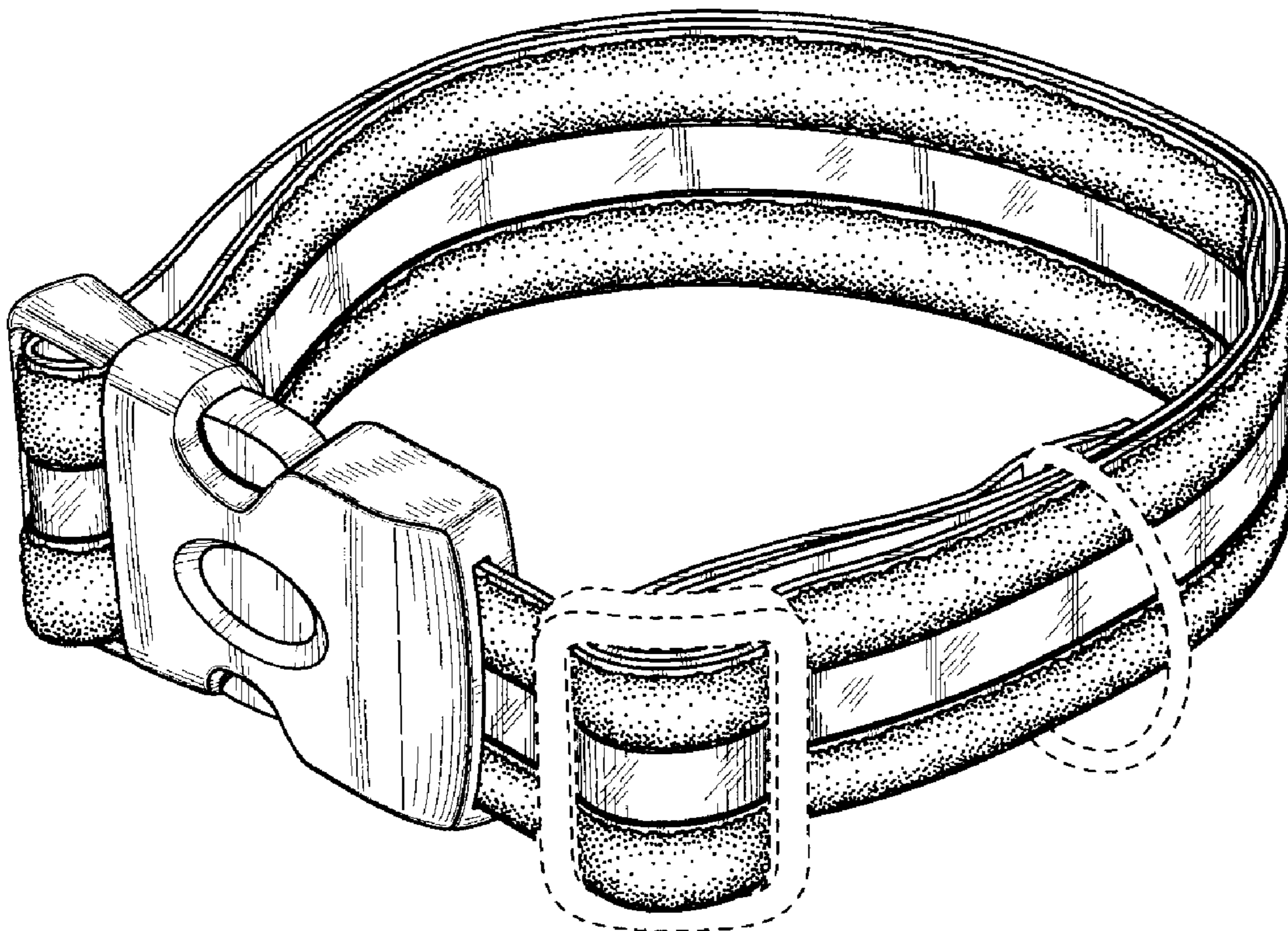
(56) **References Cited**

The broken lines showing of a retainer and loop are for illustrative purposes only and form no part of the claimed design.

U.S. PATENT DOCUMENTS

732,289	A	*	6/1903	Fischman	2/338
2,513,886	A	*	7/1950	Mix	2/338
2,898,603	A	*	8/1959	Epstein	2/322
4,224,901	A	*	9/1980	Carey, Jr.	119/654

1 Claim, 6 Drawing Sheets



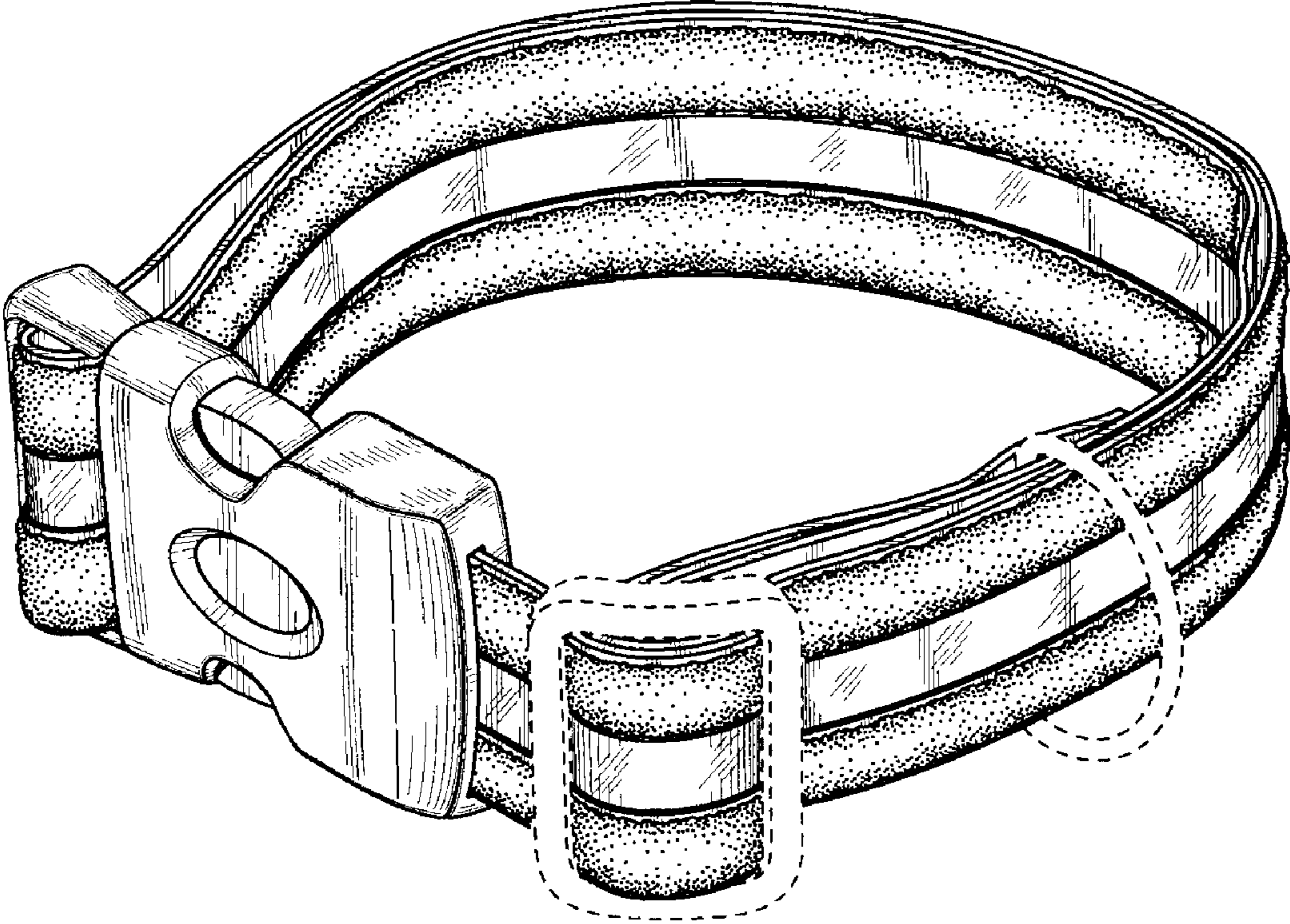


FIG. 1

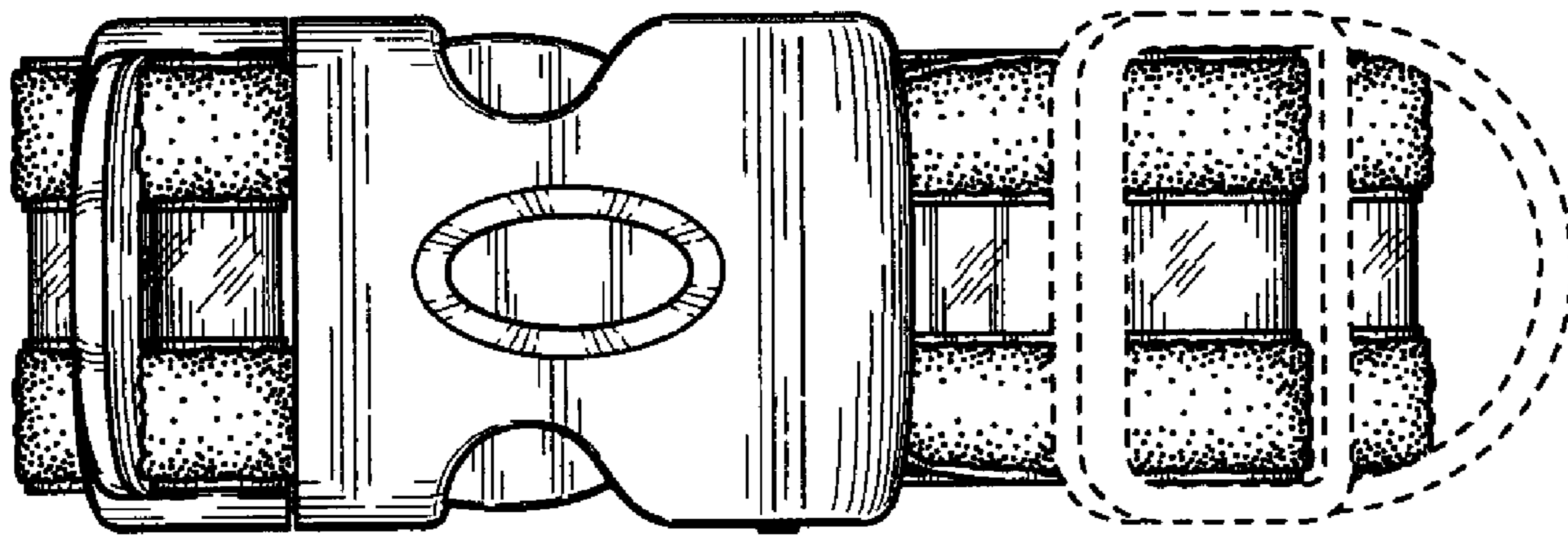


FIG. 2

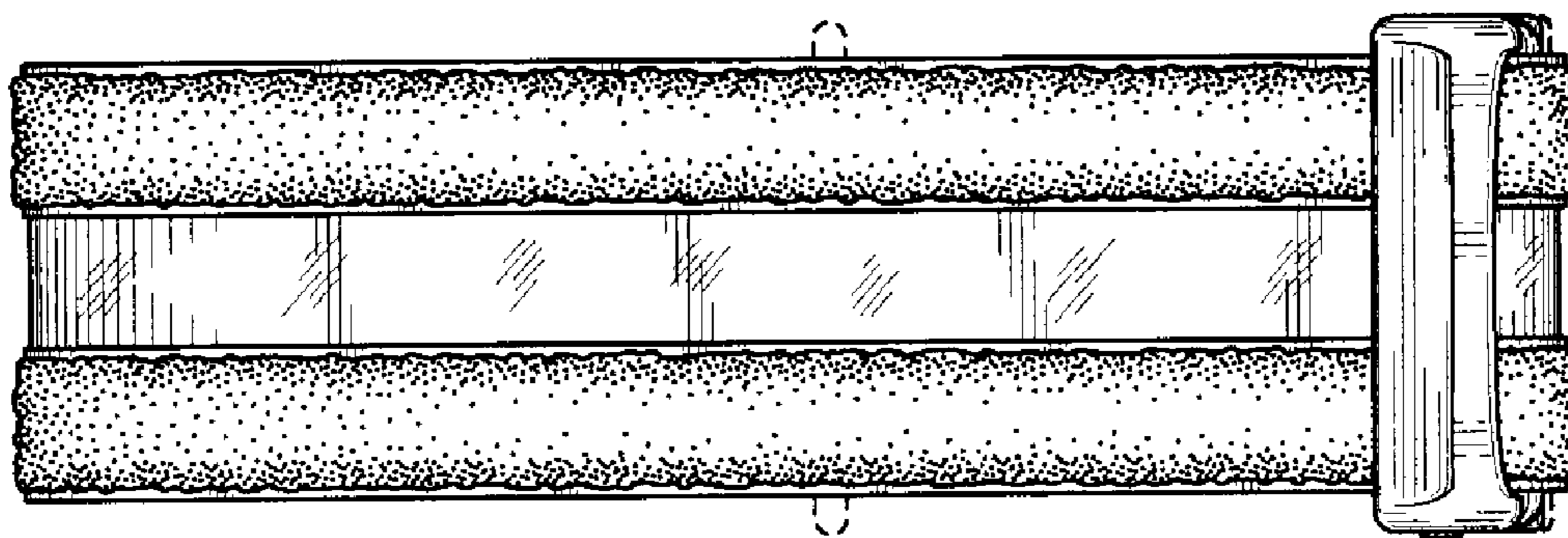


FIG. 3

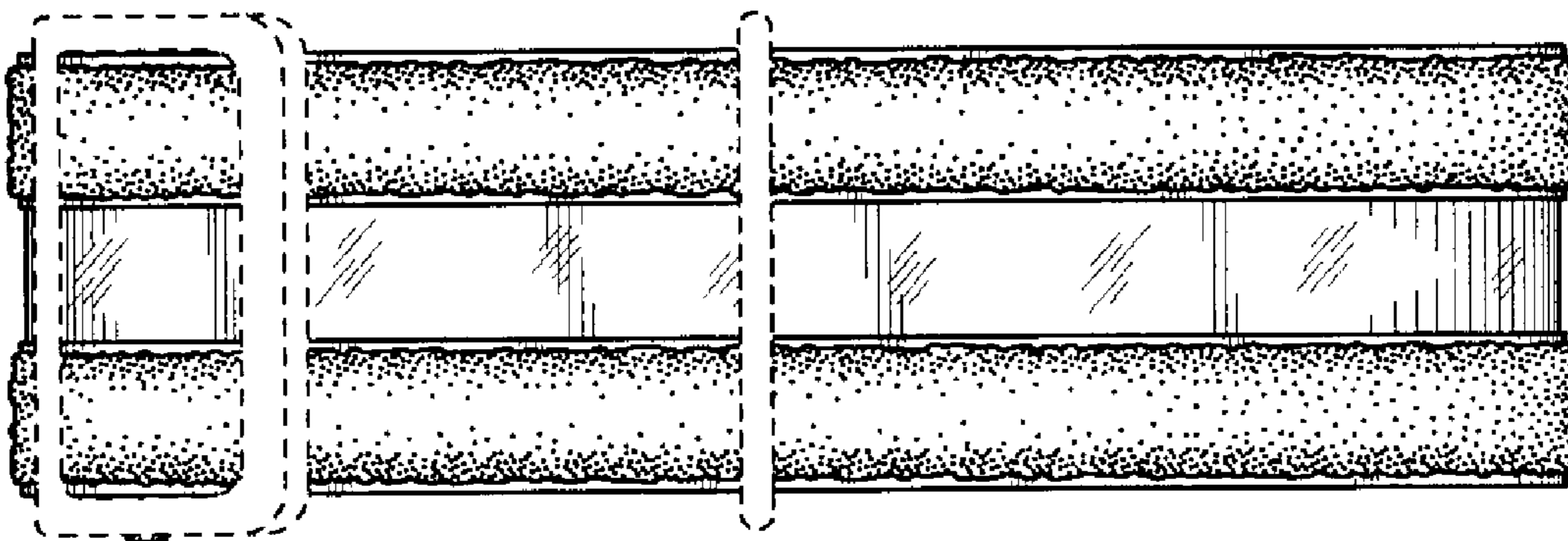


FIG. 4

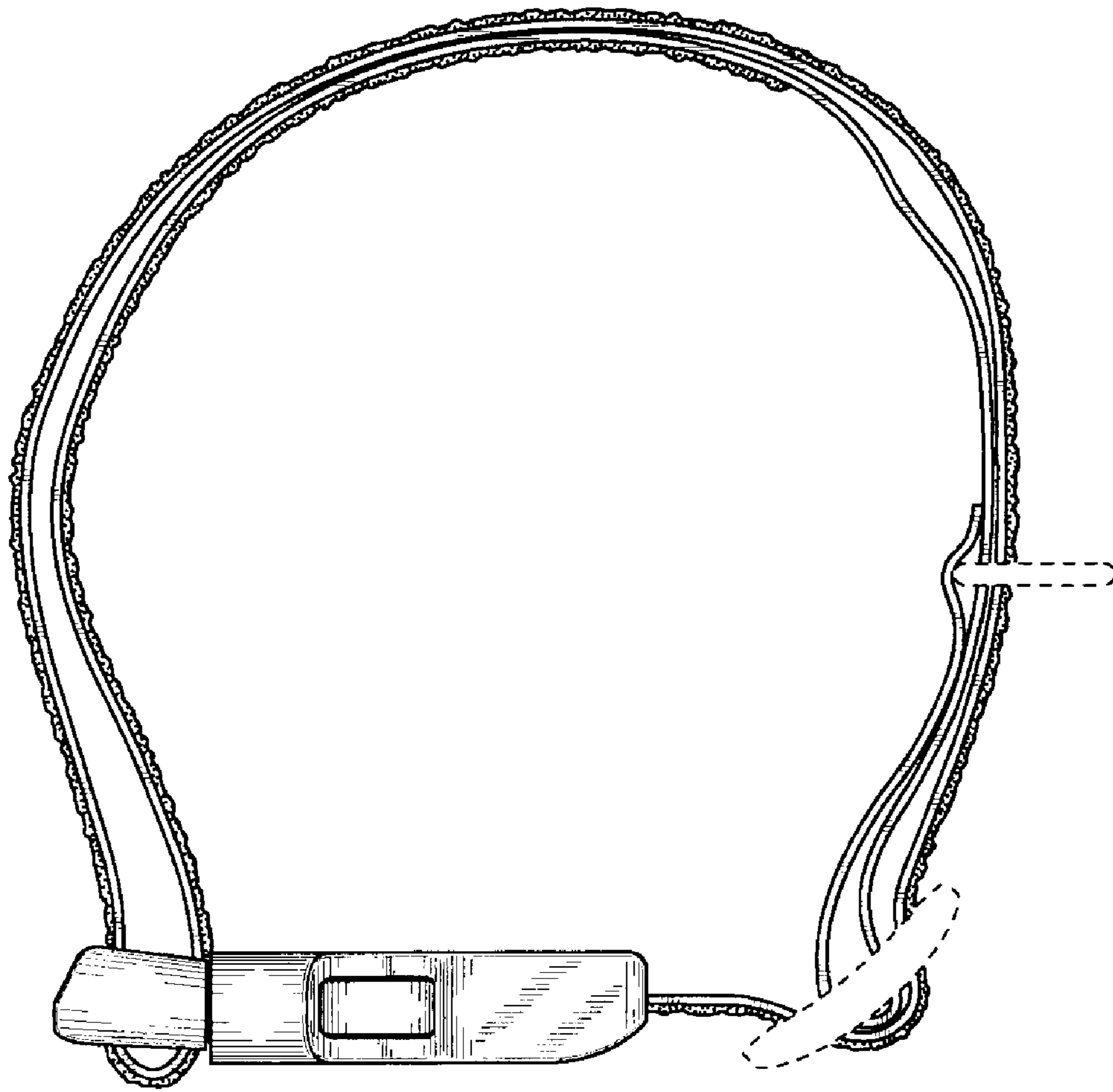


FIG. 5

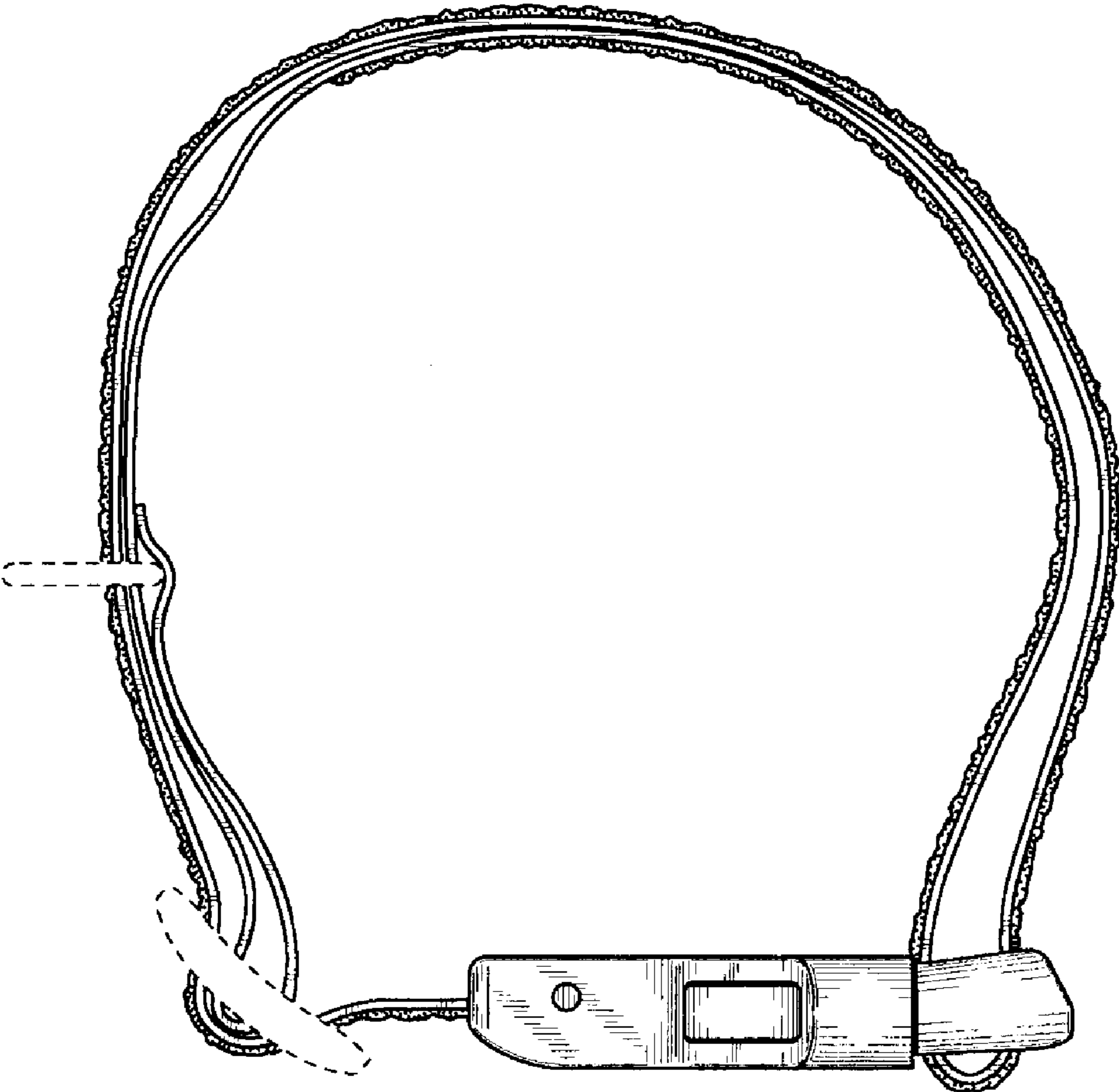


FIG. 6