



US00D516747S

(12) **United States Design Patent**  
**Chan**

(10) **Patent No.:** **US D516,747 S**  
(45) **Date of Patent:** **\*\* Mar. 7, 2006**

(54) **HAIR STYLING APPARATUS**  
(75) Inventor: **Wing-Kin Chan**, Hong Kong (CN)  
(73) Assignee: **Dickson Industrial Co., Ltd.**, Kowloon (HK)  
(\*\*) Term: **14 Years**

(21) Appl. No.: **29/209,862**  
(22) Filed: **Jul. 23, 2004**

(51) **LOC (8) Cl.** ..... **28-03**  
(52) **U.S. Cl.** ..... **D28/35**  
(58) **Field of Classification Search** ..... D28/35-37;  
219/222, 225, 226; 132/223-226, 229, 232,  
132/269, 271  
See application file for complete search history.

(56) **References Cited**  
**U.S. PATENT DOCUMENTS**

D480,836 S \* 10/2003 Kaizuka ..... D28/35

2004/0237990 A1 \* 12/2004 Choi ..... 132/224  
\* cited by examiner

*Primary Examiner*—Jennifer Rivard  
(74) *Attorney, Agent, or Firm*—Buchanan Ingersoll PC

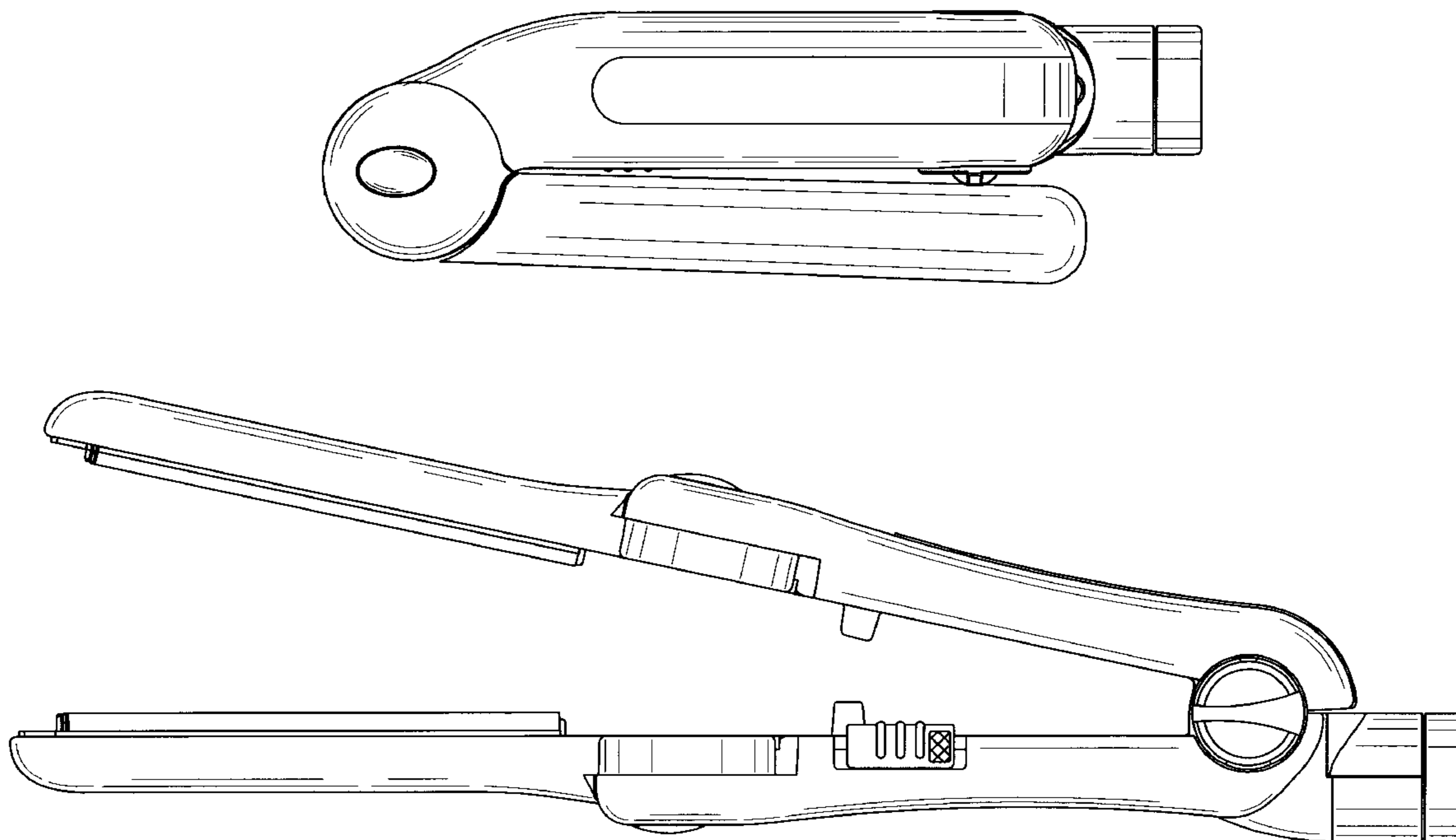
(57) **CLAIM**

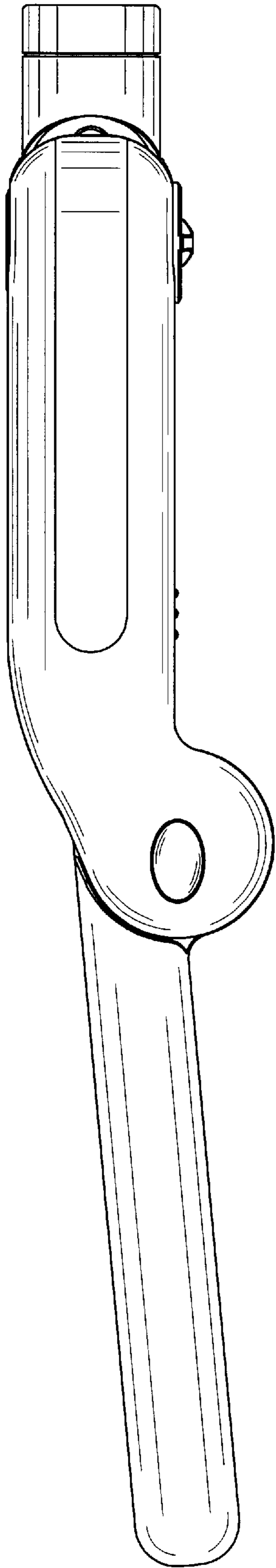
The ornamental design for a “hair styling apparatus”, as shown and described.

**DESCRIPTION**

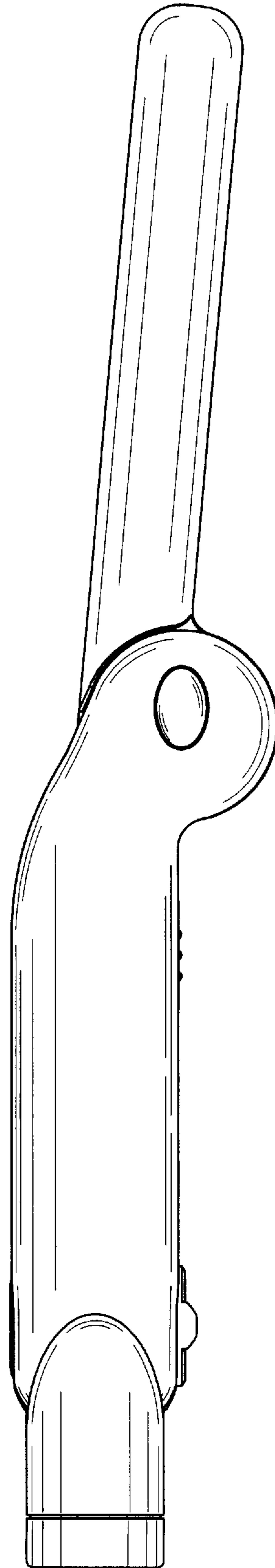
FIG. 1 is a right side view of a “hair styling apparatus” showing my design;  
FIG. 2 is a left side view thereof;  
FIG. 3 is a front view thereof;  
FIG. 4 is a rear view thereof;  
FIG. 5 is a top plan view thereof;  
FIG. 6 is a bottom view thereof;  
FIG. 7 is a right side view thereof in a folded configuration; and,  
FIG. 8 is a bottom view thereof in an opened configuration.

**1 Claim, 4 Drawing Sheets**

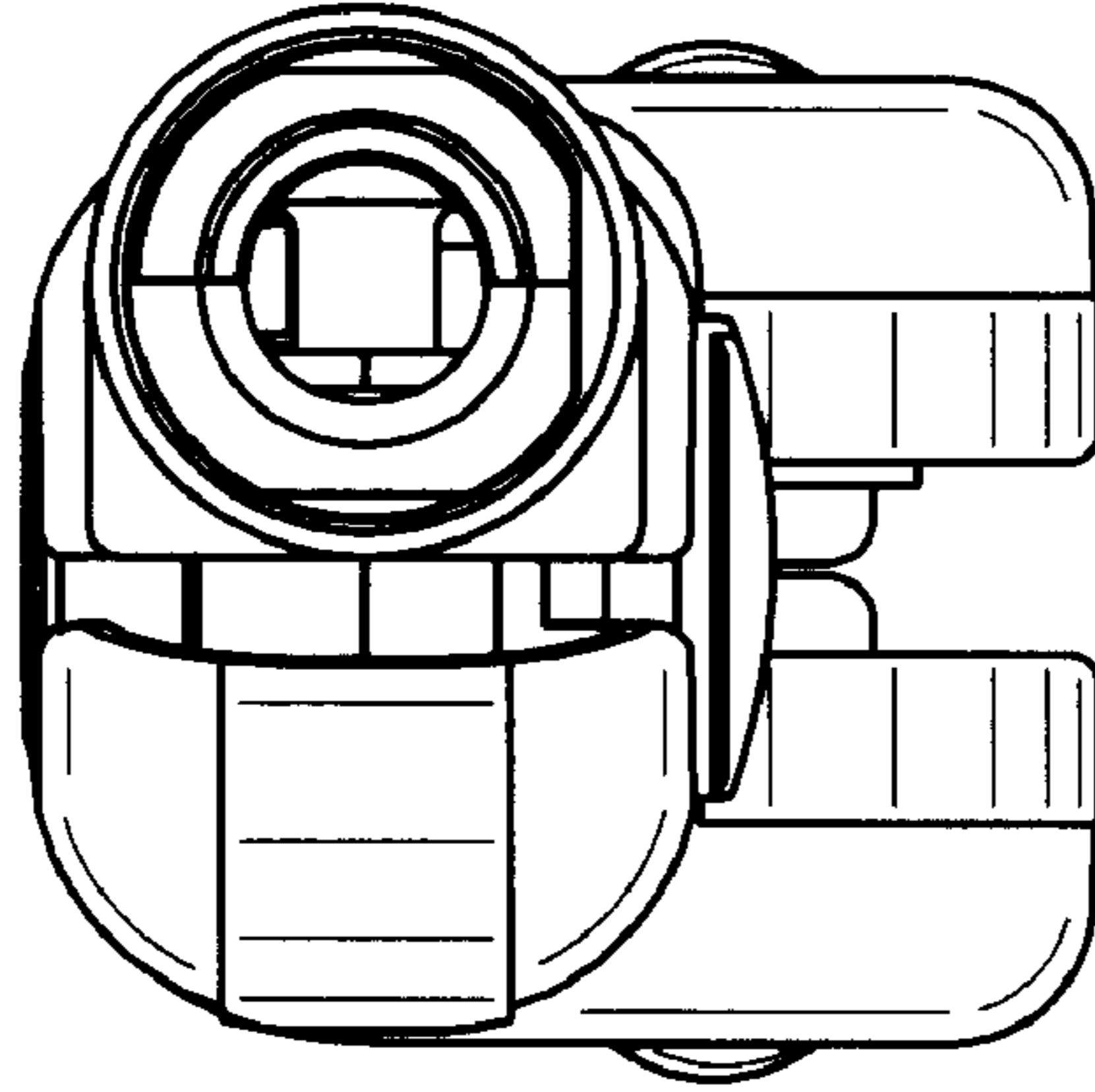




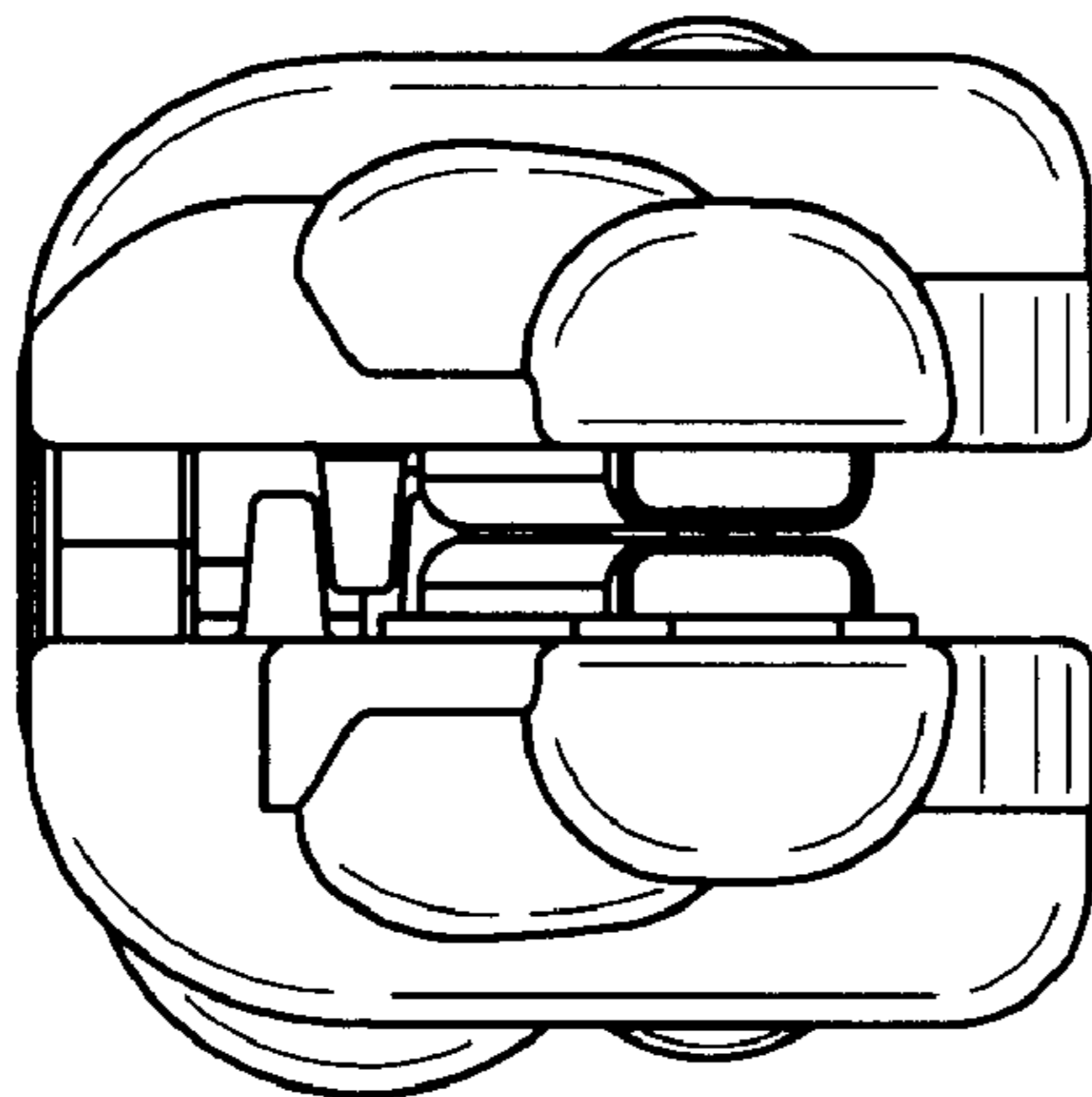
*Fig. 1*



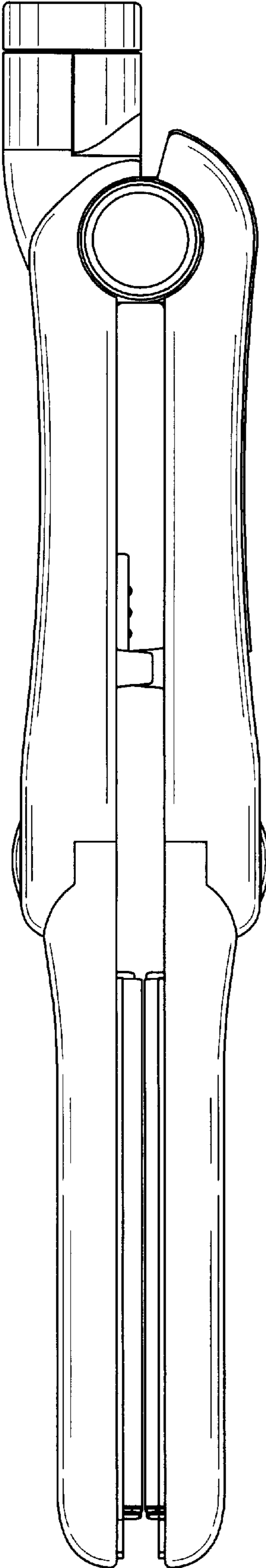
*Fig. 2*



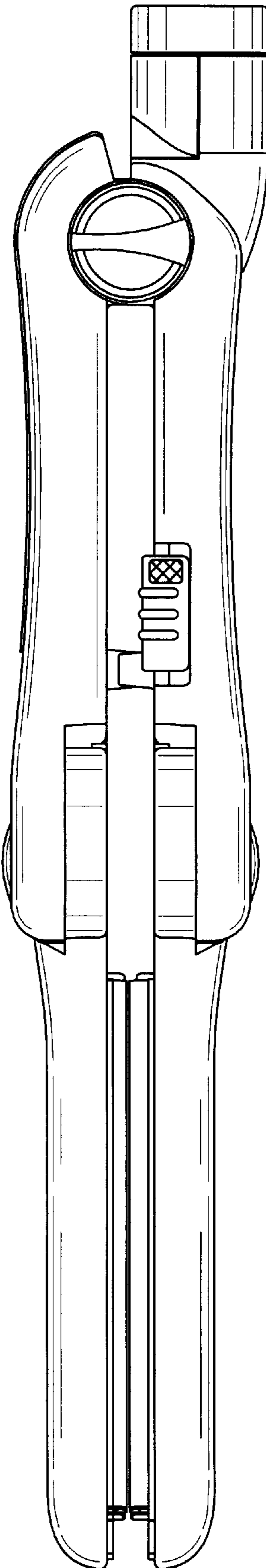
*Fig. 4*



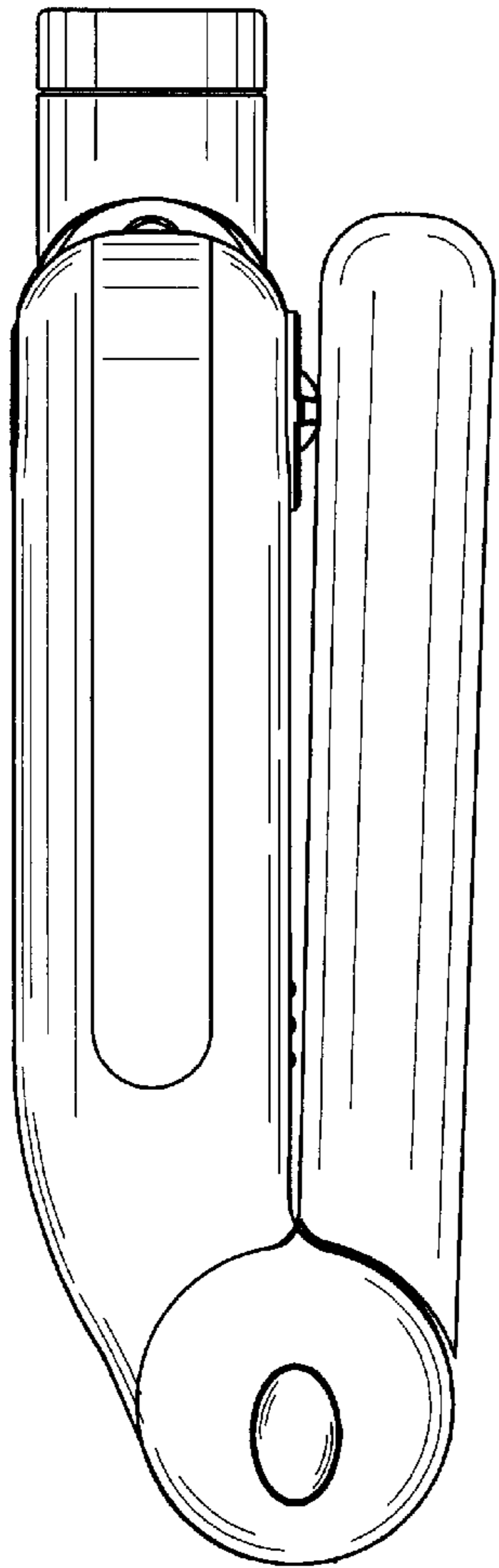
*Fig. 3*



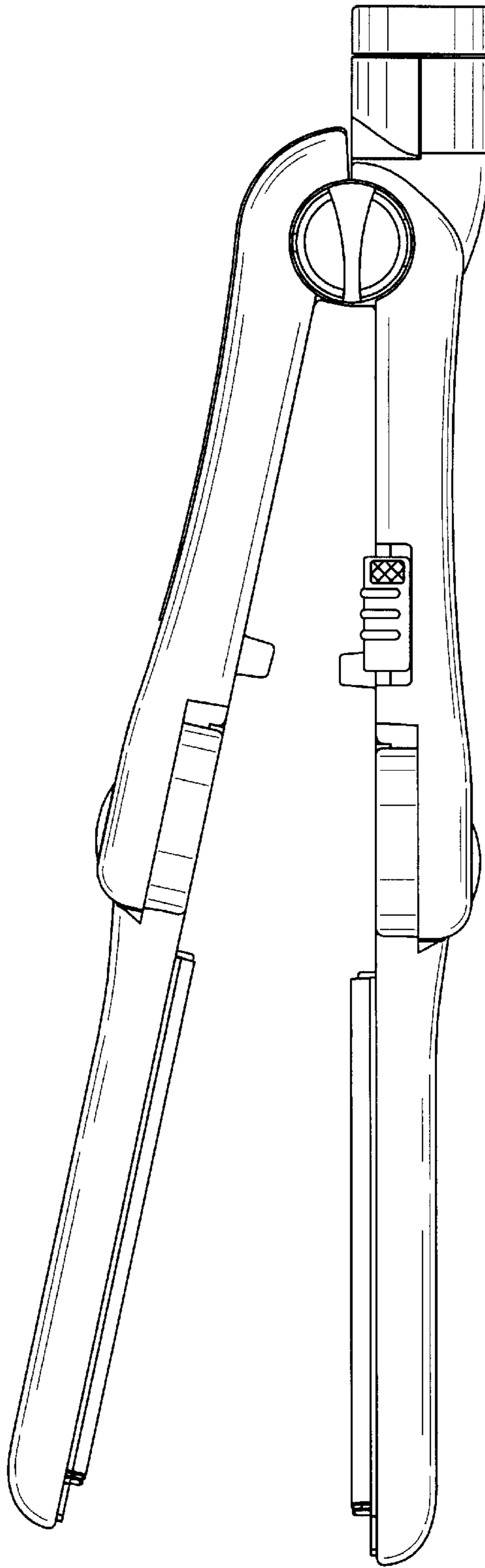
*Fig. 5*



*Fig. 6*



*Fig. 7*



*Fig. 8*