

US00D516746S

(12) **United States Design Patent**  
**Angeletta**

(10) **Patent No.:** **US D516,746 S**  
(45) **Date of Patent:** **\*\* Mar. 7, 2006**

(54) **REPLACEABLE APPLICATOR PORTION  
FOR A LIQUID AND LOTION APPLICATOR**

(76) **Inventor:** **Joseph G. Angeletta**, 418 Fifth St.,  
Mamaroneck, NY (US) 10543

(\*\*) **Term:** **14 Years**

(21) **Appl. No.:** **29/202,169**

(22) **Filed:** **Mar. 26, 2004**

**Related U.S. Application Data**

(62) Division of application No. 29/173,529, filed on Dec. 30,  
2002, now Pat. No. Des. 503,242.

(51) **LOC (8) Cl.** ..... **28-02**

(52) **U.S. Cl.** ..... **D28/7; D9/447**

(58) **Field of Classification Search** ..... D28/7,  
D28/63, 8; D9/338, 436, 447; 132/320, 317;  
15/244.1, 244.2, 244.4; D24/119; D4/137;  
401/137-139, 196, 197, 202-207, 261-268,  
401/270-275, 6; D32/40, 45, 50, 51, 52

See application file for complete search history.

(56) **References Cited**

**U.S. PATENT DOCUMENTS**

|             |           |                 |          |
|-------------|-----------|-----------------|----------|
| 1,186,088 A | 6/1916    | Finlay          | 401/207  |
| 2,218,862 A | 10/1940   | Vredenburg      | 15/209.1 |
| 2,829,393 A | * 4/1958  | Turcotte et al. | 401/207  |
| D188,159 S  | 6/1960    | Payron          | D28/7    |
| 3,103,682 A | 9/1963    | Markle          | 15/244.1 |
| 4,961,661 A | 10/1990   | Sutton et al.   | 401/6    |
| 5,240,339 A | 8/1993    | DeForest et al. | 401/207  |
| D342,324 S  | 12/1993   | Underdahl       | D25/47   |
| D342,342 S  | * 12/1993 | Maglione        | D28/7    |
| D351,229 S  | 10/1994   | Wirt            | D24/119  |
| D375,382 S  | 11/1996   | Beeler et al.   | D28/7    |
| 5,573,342 A | 11/1996   | Patalano        | 401/175  |

|              |           |                |          |
|--------------|-----------|----------------|----------|
| 5,625,918 A  | 5/1997    | Kieson et al.  | 15/119.2 |
| D425,661 S   | 5/2000    | Fenenga        | D28/7    |
| 6,116,798 A  | 9/2000    | Chen et al.    | 401/42   |
| D445,539 S   | * 7/2001  | Angeletta      | D28/7    |
| D446,346 S   | 8/2001    | Angeletta      | D28/7    |
| D446,881 S   | * 8/2001  | Angeletta      | D28/7    |
| D448,521 S   | 9/2001    | Angeletta      | D28/7    |
| D455,878 S   | * 4/2002  | Debreczeni     | D32/50   |
| D467,396 S   | * 12/2002 | Savage         | D32/51   |
| 6,491,463 B1 | 12/2002   | Richard        | 401/6    |
| D471,667 S   | * 3/2003  | Angeletta      | D28/7    |
| 6,547,880 B1 | 4/2003    | Krueger et al. | 118/264  |
| D497,721 S   | * 11/2004 | Angeletta      | D4/114   |

**FOREIGN PATENT DOCUMENTS**

JP 2000354514 A 12/2000

\* cited by examiner

*Primary Examiner*—Lucy Lieberman

(74) *Attorney, Agent, or Firm*—Scully, Scott, Murphy &  
Presser

(57) **CLAIM**

The ornamental design for a replaceable applicator portion  
for a liquid and lotion applicator, as shown and described.

**DESCRIPTION**

FIG. 1 is a perspective view of a replaceable applicator  
portion for a liquid and lotion applicator showing my new  
design;

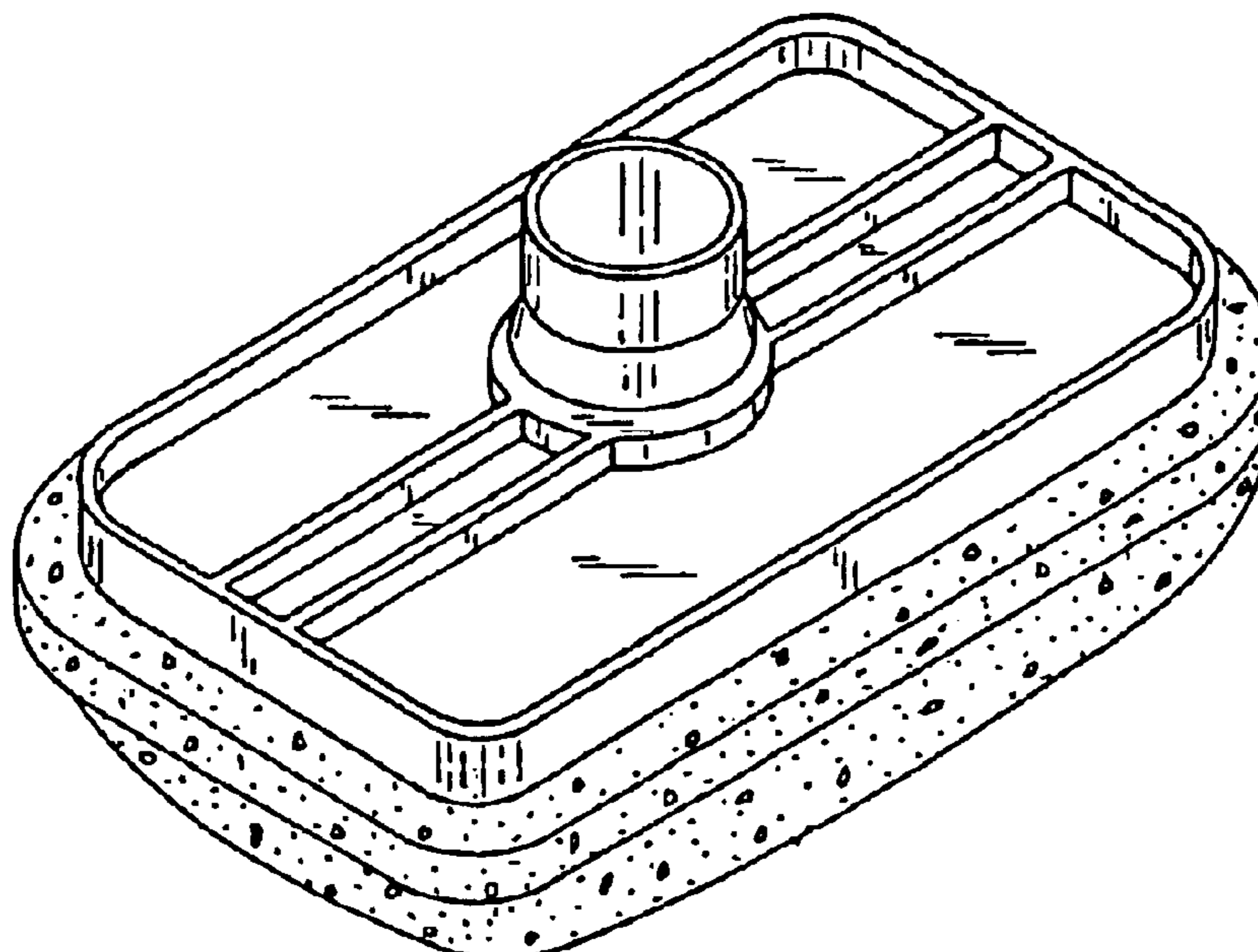
FIG. 2 illustrates a bottom plan view thereof;

FIG. 3 illustrates a side view, the opposite side being a  
mirror-image thereof;

FIG. 4 illustrates an end view, the opposite end being a  
mirror-image thereof; and,

FIG. 5 is a top plan view thereof.

**1 Claim, 1 Drawing Sheet**



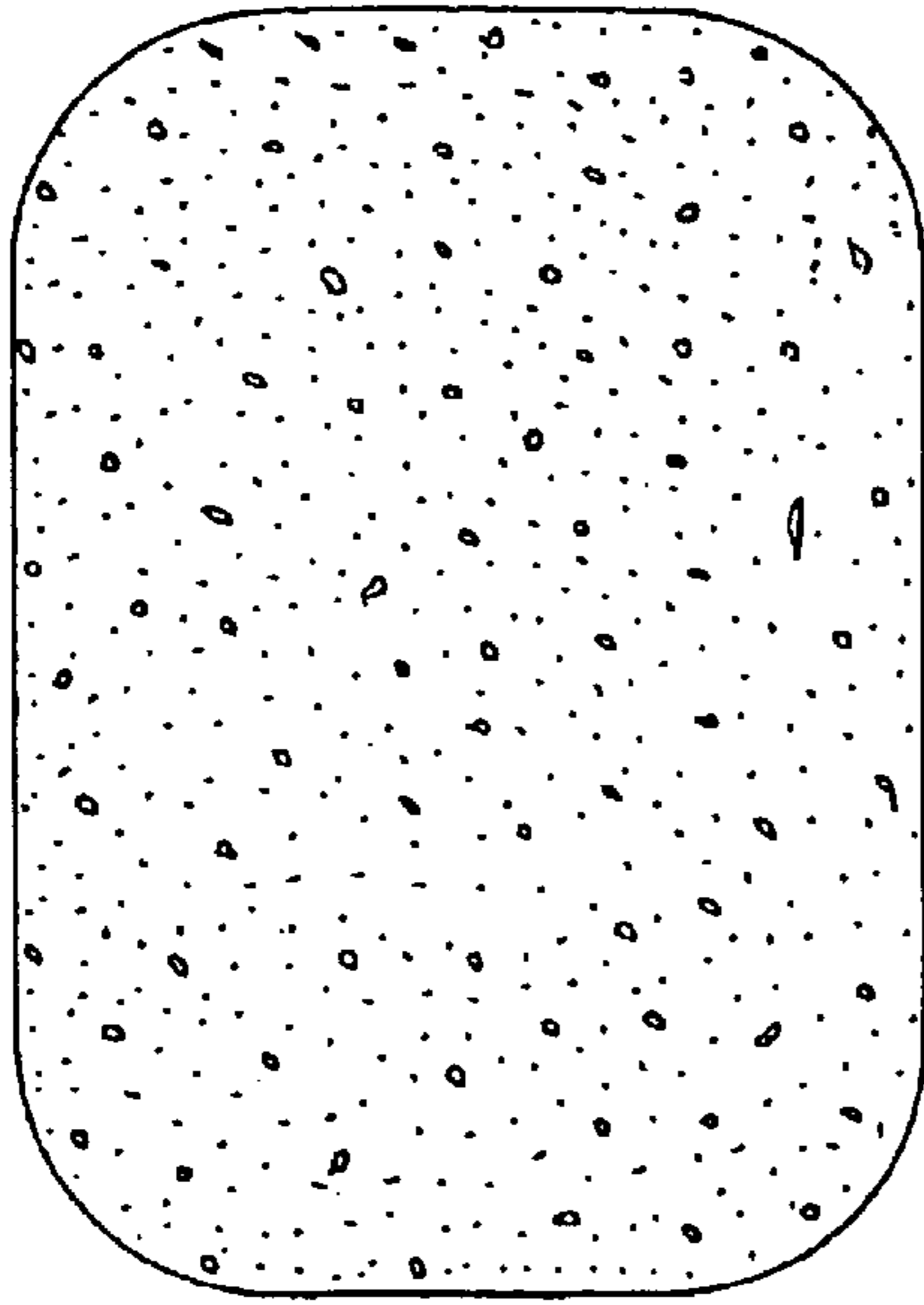


FIG. 2

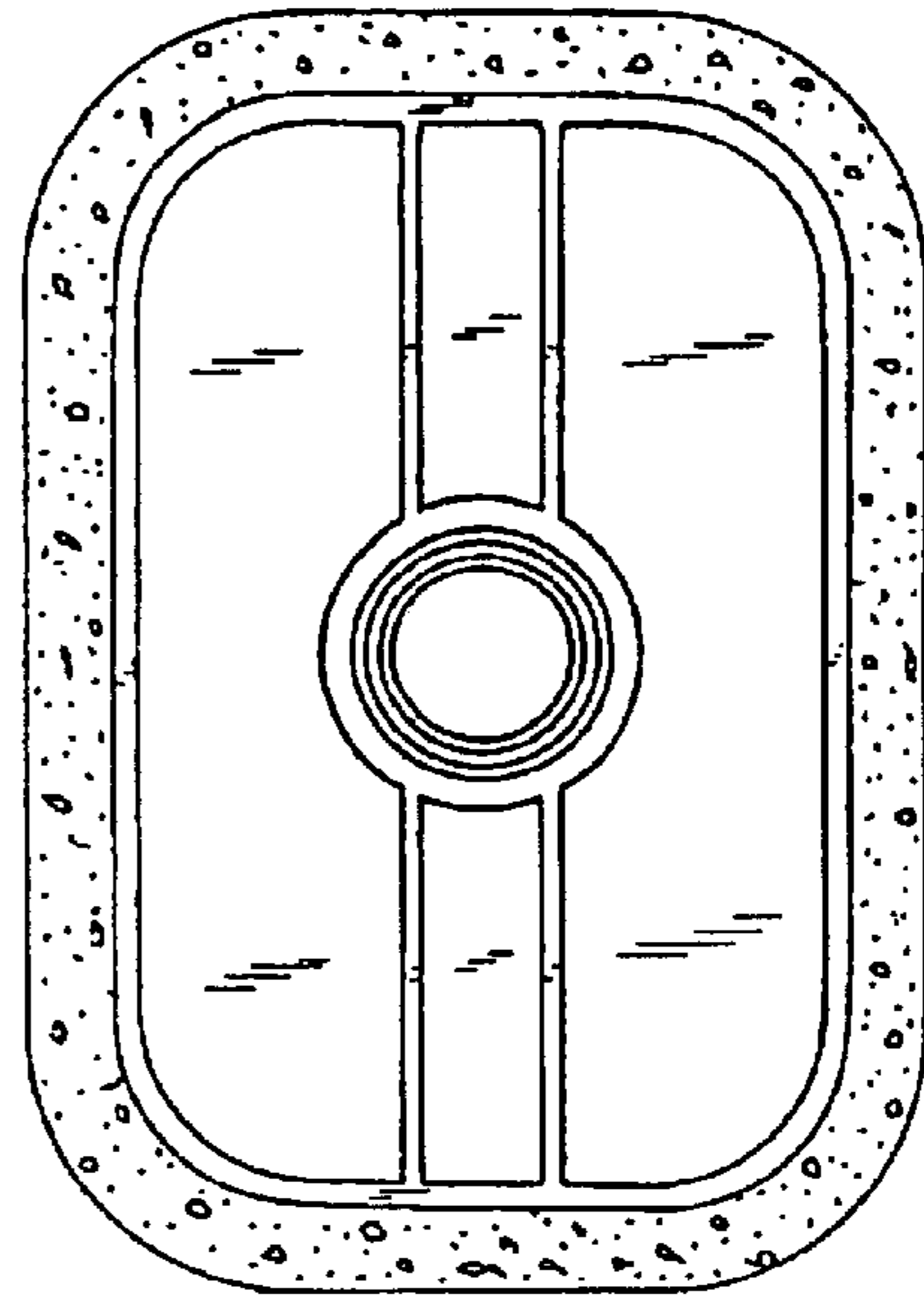


FIG. 5

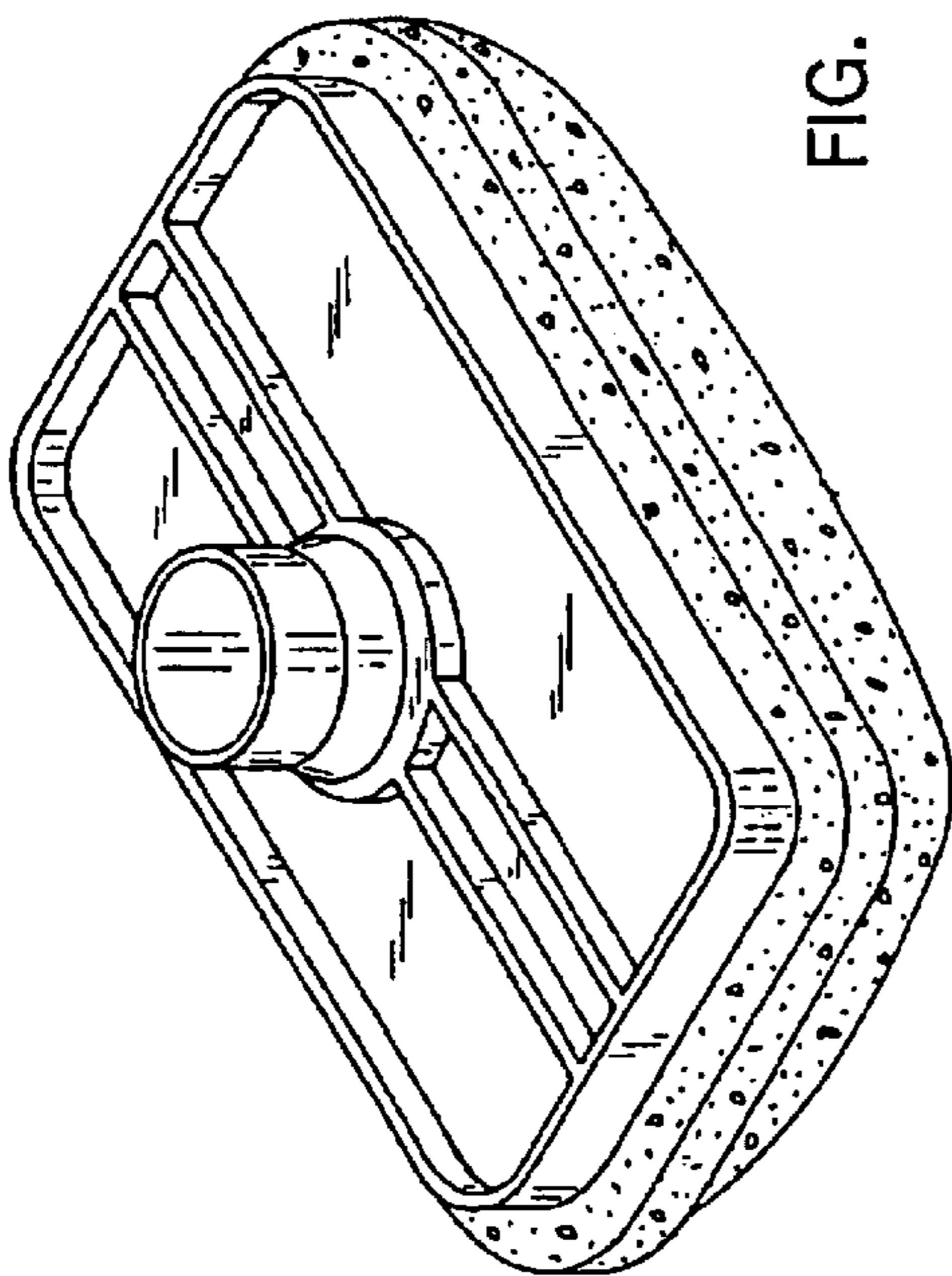


FIG. 1

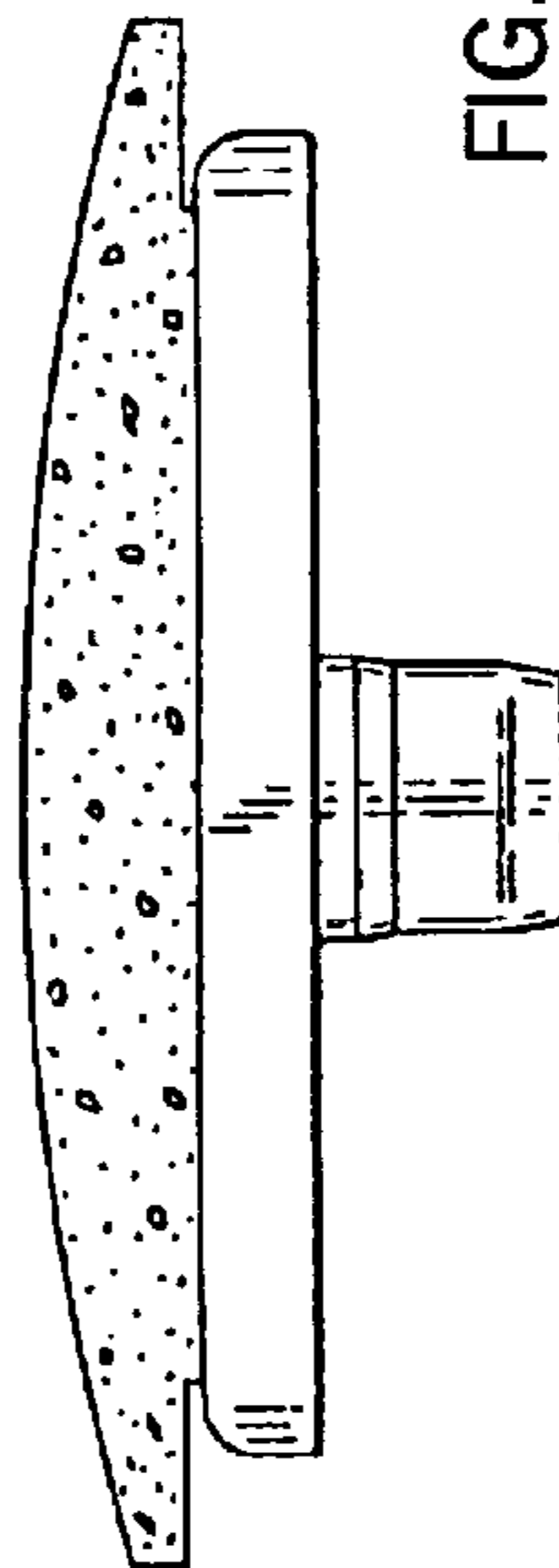


FIG. 3

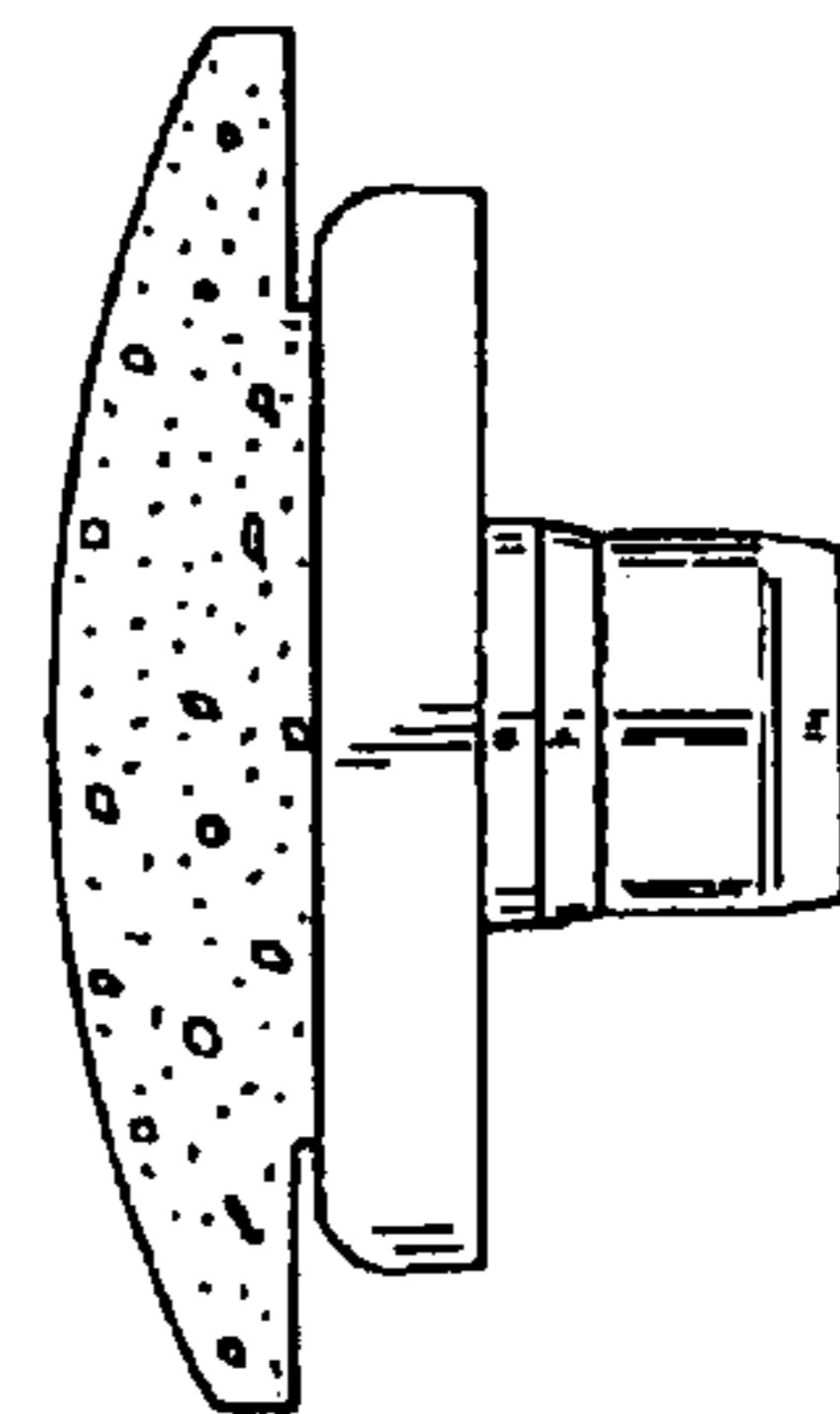


FIG. 4