



US00D516736S

(12) **United States Design Patent**
Mushett et al.

(10) **Patent No.:** **US D516,736 S**
(45) **Date of Patent:** **** Mar. 7, 2006**

(54) **SUPPORT BLOCK WITH LONG WINGS**

2002/0053664 A1 * 5/2002 Moore 256/13.1
2002/0081152 A1 6/2002 King
2002/0094235 A1 7/2002 King

(75) Inventors: **Daniel J. Mushett**, Oak Ridge, TN
(US); **Michael Burkett**, Berlin Heights,
OH (US)

OTHER PUBLICATIONS

Arco Timber Products Recycled Polymeric Block, Jun. 25,
2003 (exact date unknown).

(73) Assignee: **Monroeville Industrial Moldings, Inc.**,
Monroeville, OH (US)

* cited by examiner

(**) Term: **14 Years**

Primary Examiner—Robert A. Delehanty

(21) Appl. No.: **29/220,638**

(74) *Attorney, Agent, or Firm*—Pearne & Gordon LLP

(22) Filed: **Jan. 4, 2005**

(57) **CLAIM**

(51) **LOC (8) Cl.** **25-01**

The ornamental design for a support block with long wings,
as shown and described.

(52) **U.S. Cl.** **D25/118**

(58) **Field of Classification Search** D25/113–115,
D25/118; D21/484; 404/6, 29, 34, 37–39,
404/8; 256/13.1, DIG. 6

DESCRIPTION

See application file for complete search history.

FIG. 1 is a perspective view of my new design for a support
block with long wings;

(56) **References Cited**

U.S. PATENT DOCUMENTS

| | | | | | |
|--------------|---|---------|----------------|-------|----------|
| D397,808 S | * | 9/1998 | Dawson | | D25/113 |
| 6,007,269 A | * | 12/1999 | Marinelli | | 404/6 |
| D429,005 S | * | 8/2000 | Risi | | D25/113 |
| 6,179,273 B1 | * | 1/2001 | Edmunds et al. | | 256/13.1 |
| 6,308,936 B1 | | 10/2001 | Atwood | | |
| D465,034 S | | 10/2002 | Mondo | | D25/113 |
| 6,530,560 B1 | | 3/2003 | King | | |
| D473,954 S | | 4/2003 | Mondo | | D25/118 |
| 6,758,627 B1 | * | 7/2004 | King | | 404/6 |
| D501,934 S | | 2/2005 | Mushett | | D25/118 |

FIG. 2 is a first side view of the support block of FIG. 1;
FIG. 3 is a second end view of the support block of FIG. 1;
FIG. 4 is a top plan view of the support block of FIG. 1;
FIG. 5 is a first end view of the support block of FIG. 1;
FIG. 6 is a second side view of the support block of FIG. 1;
and,

FIG. 7 is a bottom plan view of the support block of FIG. 1.
The broken lines shown in FIGS. 1–7 are for illustrative
purposes only and form no part of the claimed design. The
unshaded areas of the interior of the support block likewise
form no part of the claimed design.

1 Claim, 2 Drawing Sheets

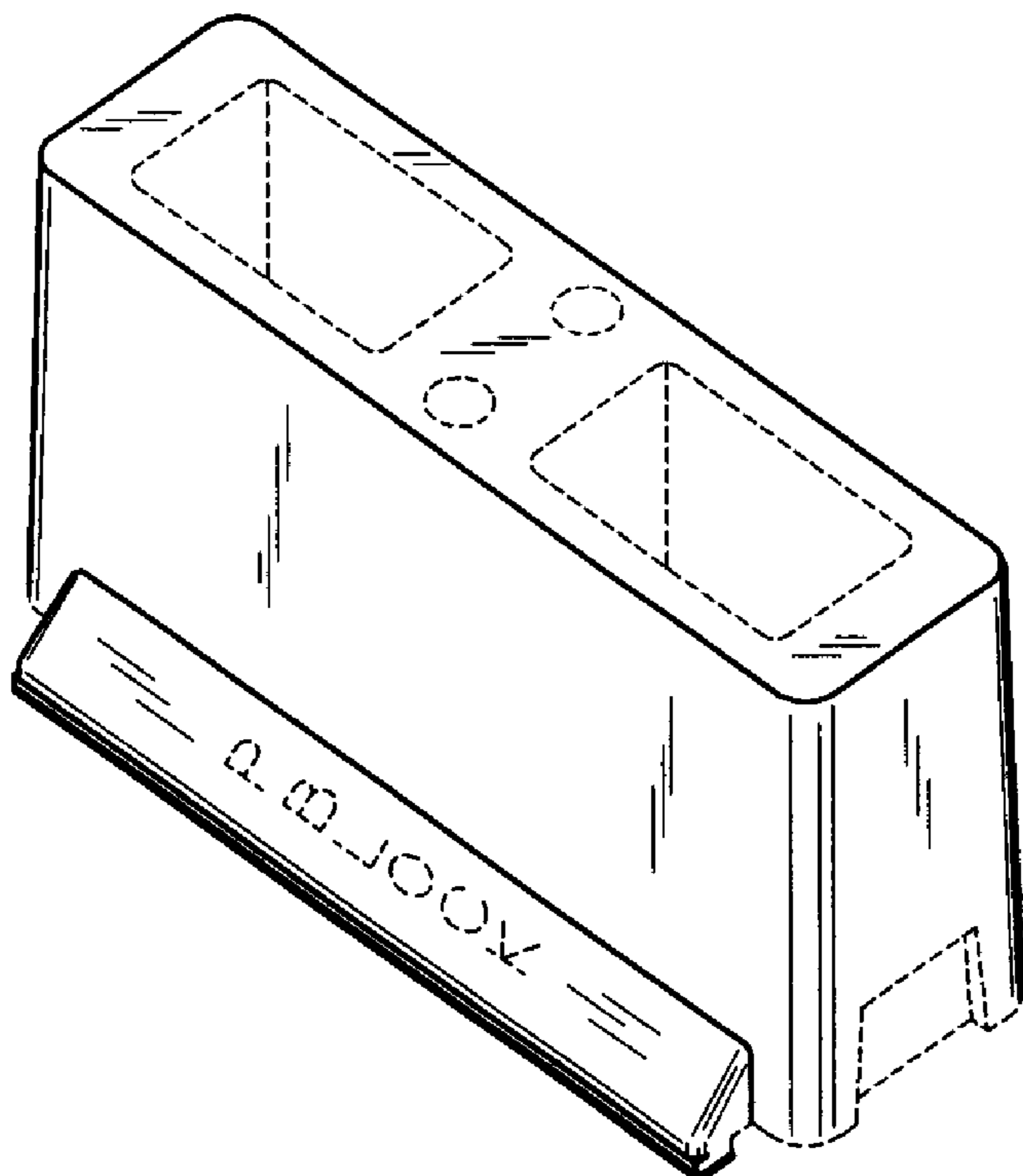


FIG. 1

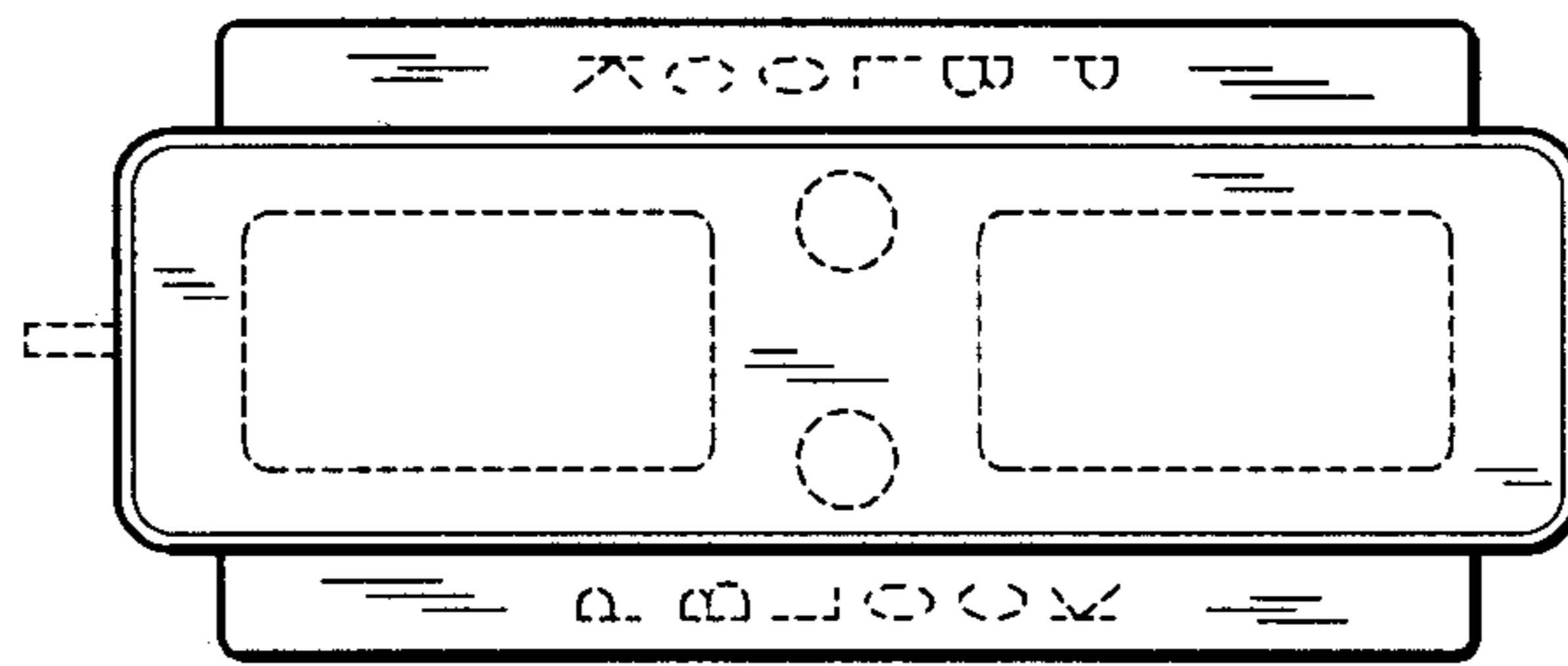
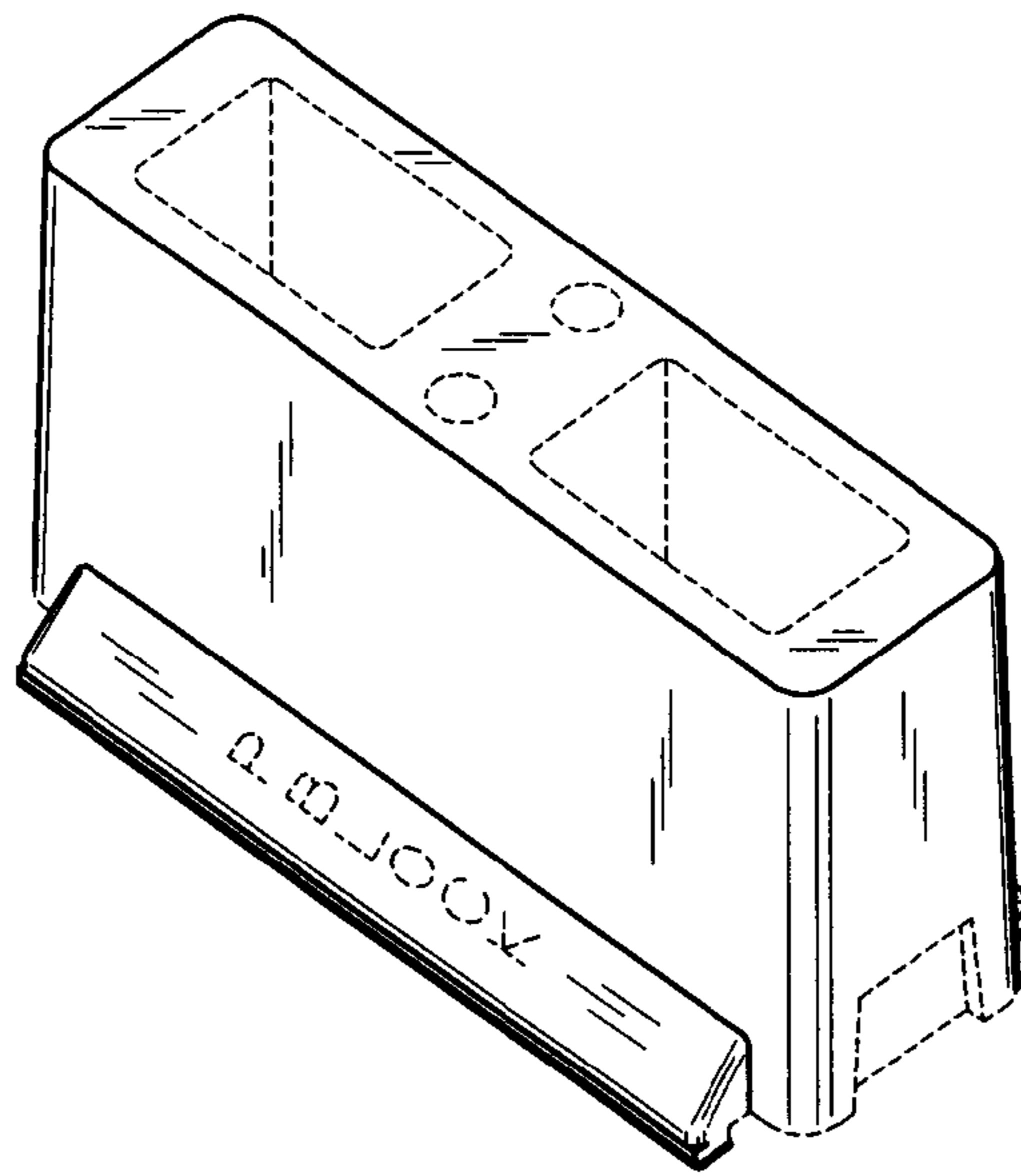


FIG. 4

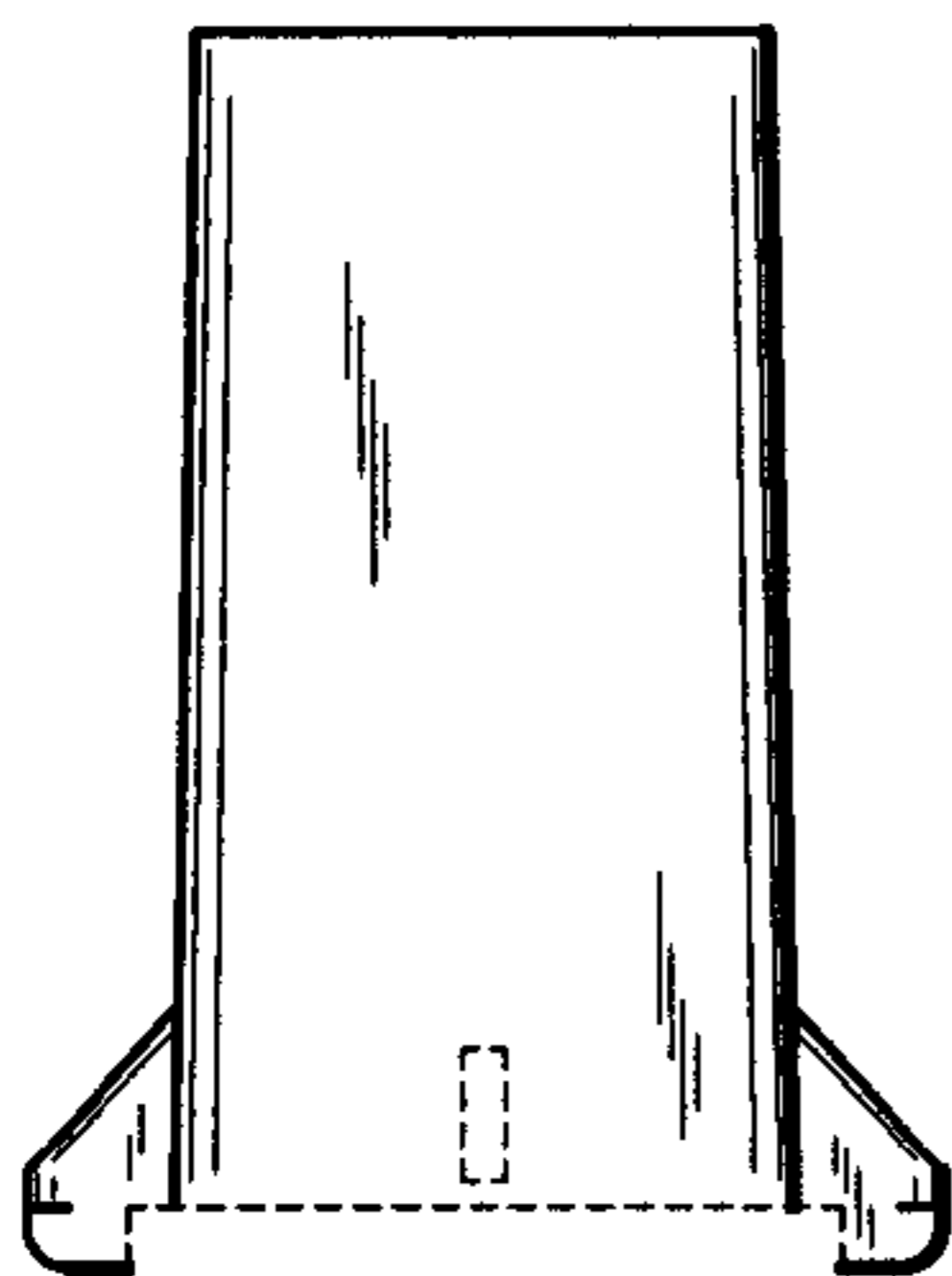


FIG. 5

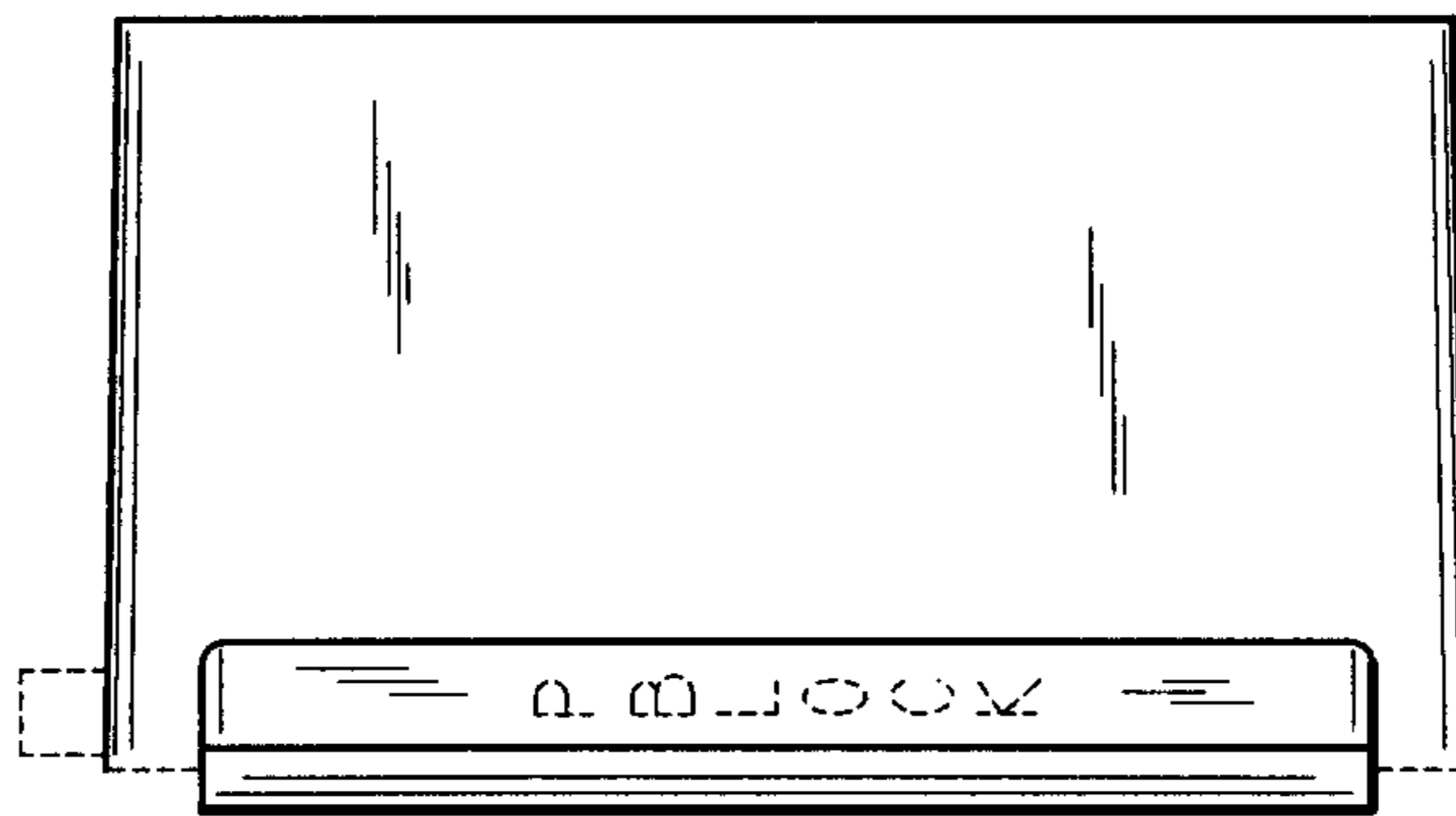


FIG. 2

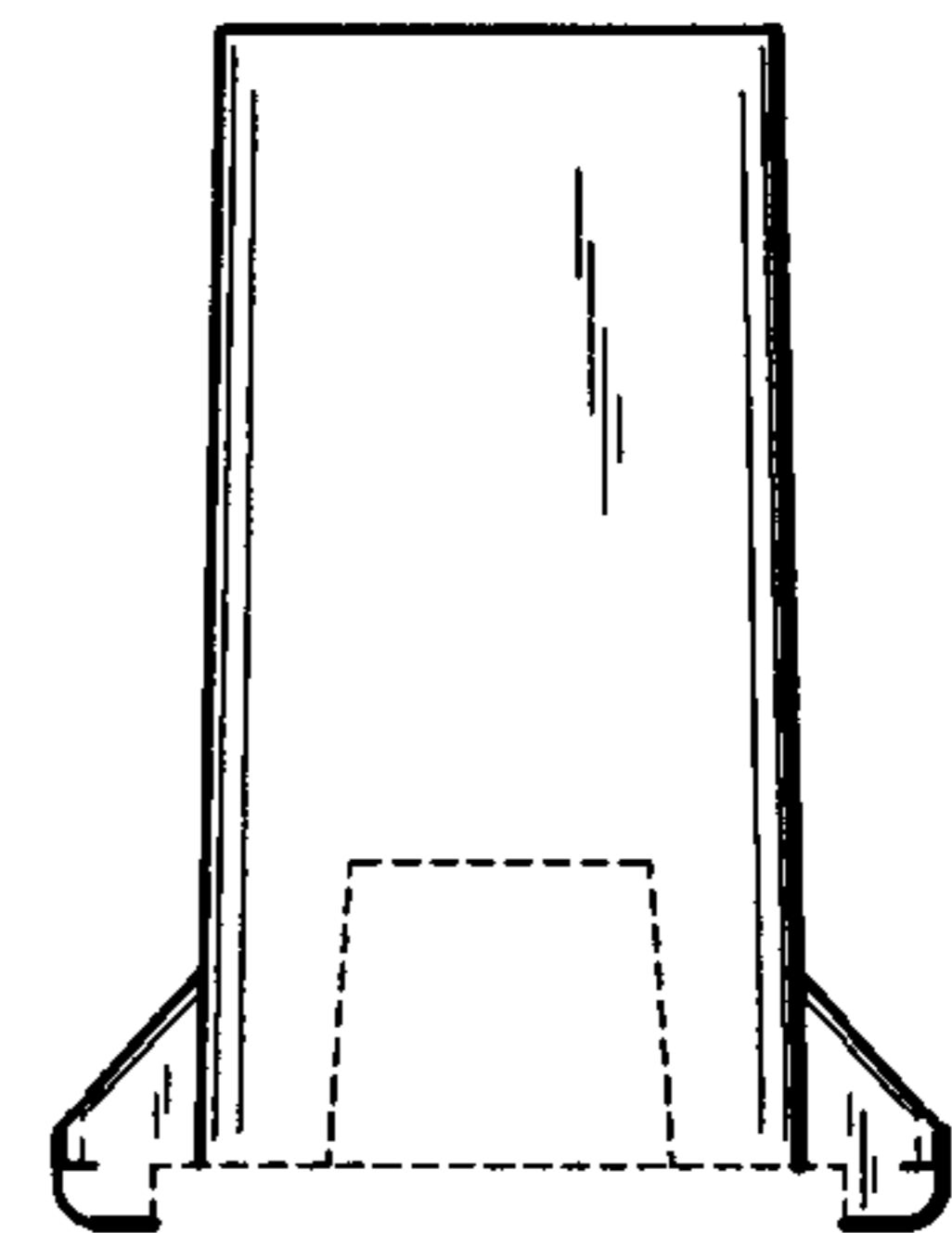


FIG. 3

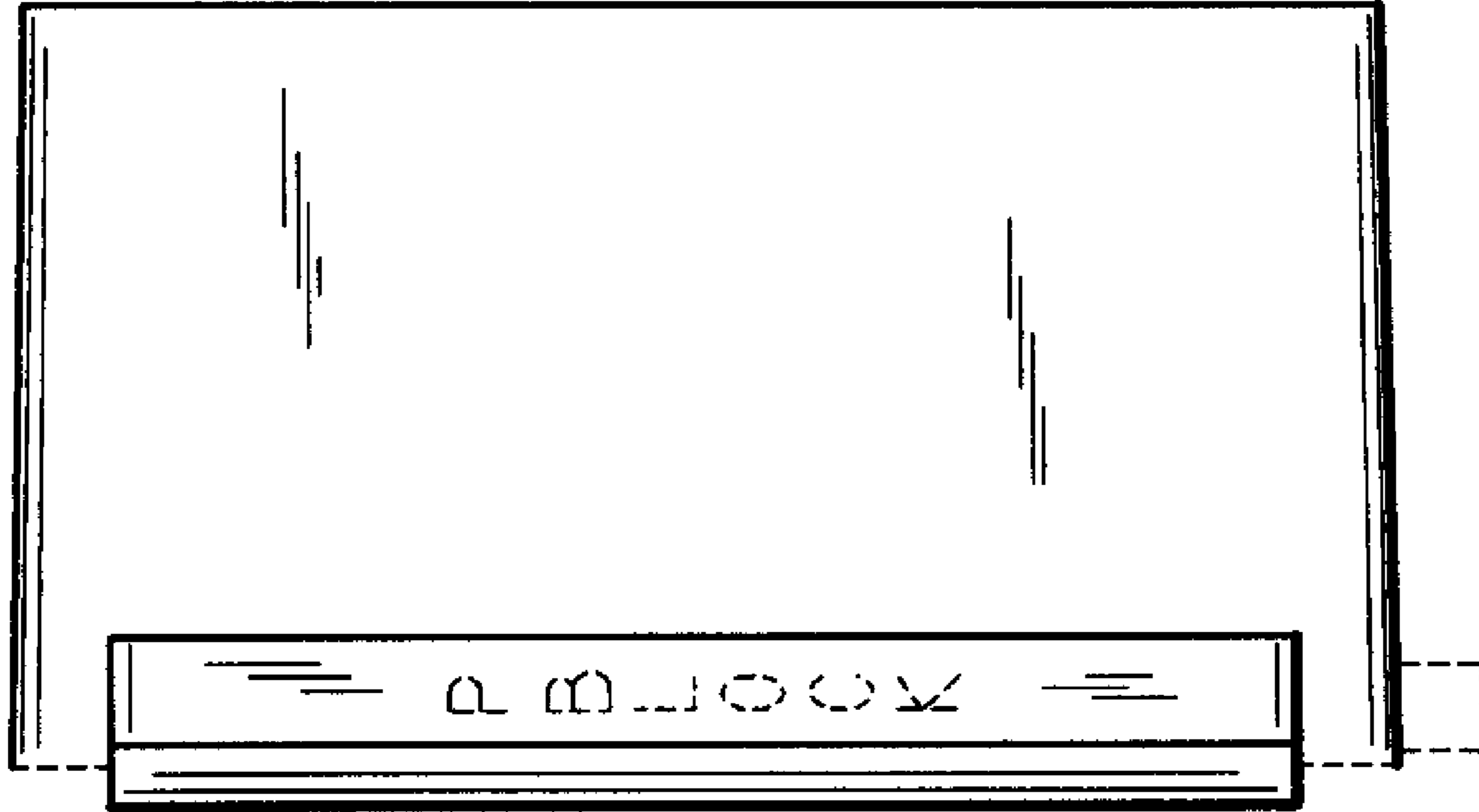


FIG. 6

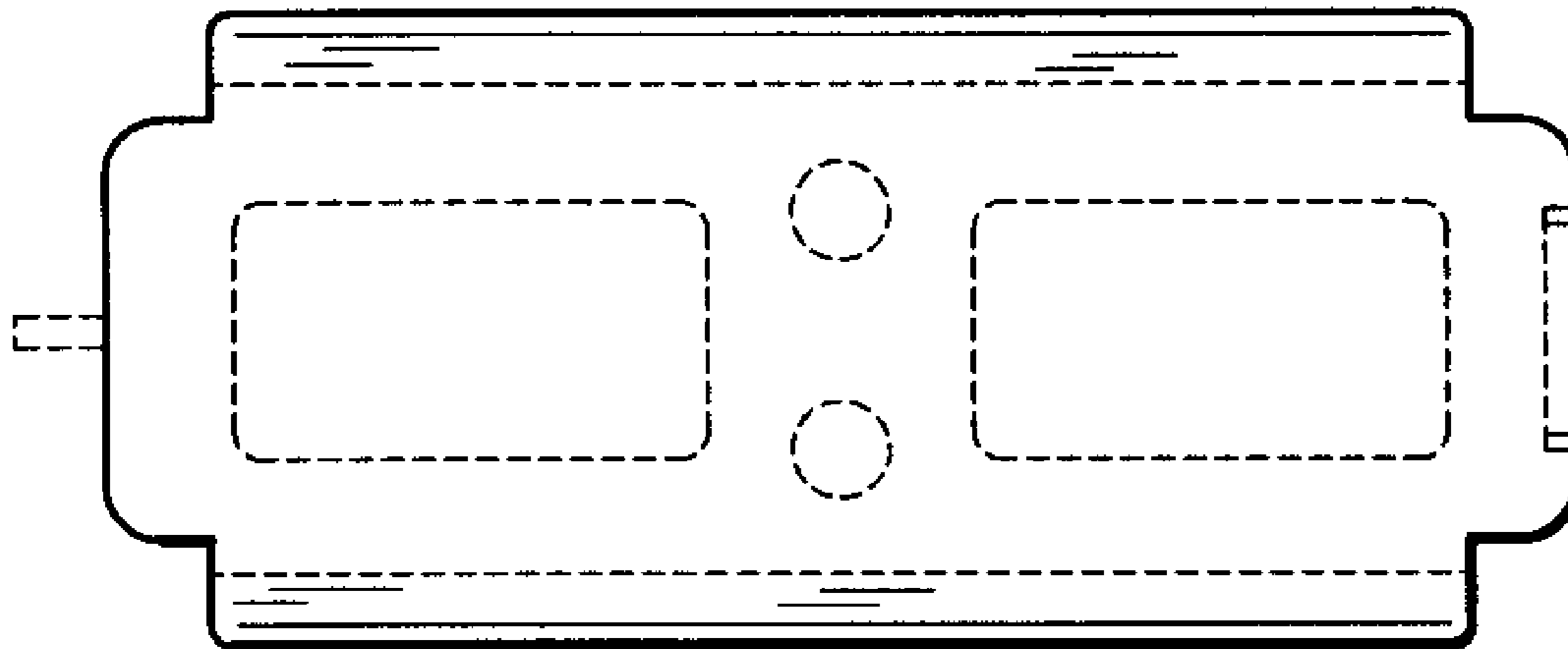


FIG. 7