



US00D516735S

(12) **United States Design Patent**
Kees et al.

(10) **Patent No.:** **US D516,735 S**
(45) **Date of Patent:** **** Mar. 7, 2006**

(54) **REVETMENT BLOCK**

(75) Inventors: **David B. Kees**, Bowling Green, KY (US); **Kenneth L. McAllister**, Bowling Green, KY (US); **Kenny W. McCoy**, Morgantown, KY (US)

(73) Assignee: **Armotec, Inc.**

(**) Term: **14 Years**

(21) Appl. No.: **29/222,251**

(22) Filed: **Jan. 26, 2005**

(51) **LOC (8) Cl.** **25-01**

(52) **U.S. Cl.** **D25/115**

(58) **Field of Classification Search** D25/112-115, D25/118; D21/484-485, 504-505; 405/15-16, 405/272, 30-31, 284; 404/29, 34, 37-41; 52/102

See application file for complete search history.

(56) **References Cited**

U.S. PATENT DOCUMENTS

3,295,281 A	1/1967	Dixon
4,370,075 A	1/1983	Scales
4,372,091 A	2/1983	Brown et al.
D285,586 S	9/1986	Murdough, Jr. et al.
4,781,492 A	11/1988	Shindo
5,465,541 A	11/1995	Lin et al.
5,688,079 A	11/1997	Bolduc et al.
5,779,391 A	7/1998	Knight

D463,041 S	9/2002	Dice et al.
6,508,607 B1	1/2003	Smith et al.
D482,801 S	* 11/2003	Dice et al. D25/115
6,866,446 B2	* 3/2005	McAllister et al. 405/16
D504,957 S	* 5/2005	Dice et al. D25/118

FOREIGN PATENT DOCUMENTS

DE 4112819 A1 10/1992

OTHER PUBLICATIONS

Articulating Concrete Block Revetment System by Armortec™®, 6 page brochure, © Feb. 2004, www.*

* cited by examiner

Primary Examiner—Robert A. Delehanty

(74) *Attorney, Agent, or Firm*—Thompson Hine LLP

(57) **CLAIM**

The ornamental design for the “revetment block,” as shown and described.

DESCRIPTION

FIG. 1 is a top perspective view of the “revetment block” showing our new design;

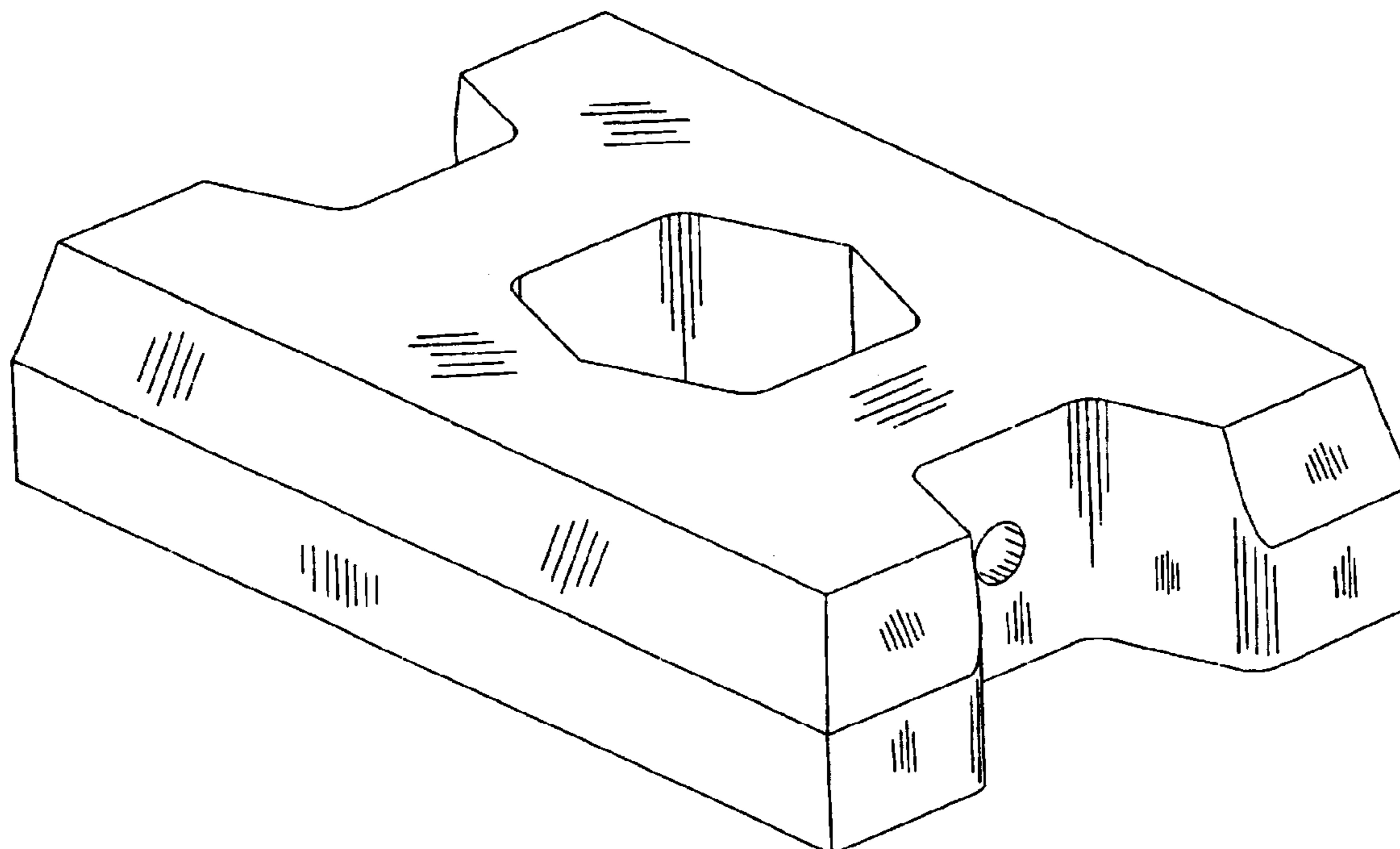
FIG. 2 is a top plan view thereof;

FIG. 3 is a right side elevation view thereof, the left side view being a mirror image of that shown;

FIG. 4 is a front elevation view thereof, the rear view being a mirror image of that shown; and,

FIG. 5 is a bottom plan view thereof.

1 Claim, 5 Drawing Sheets



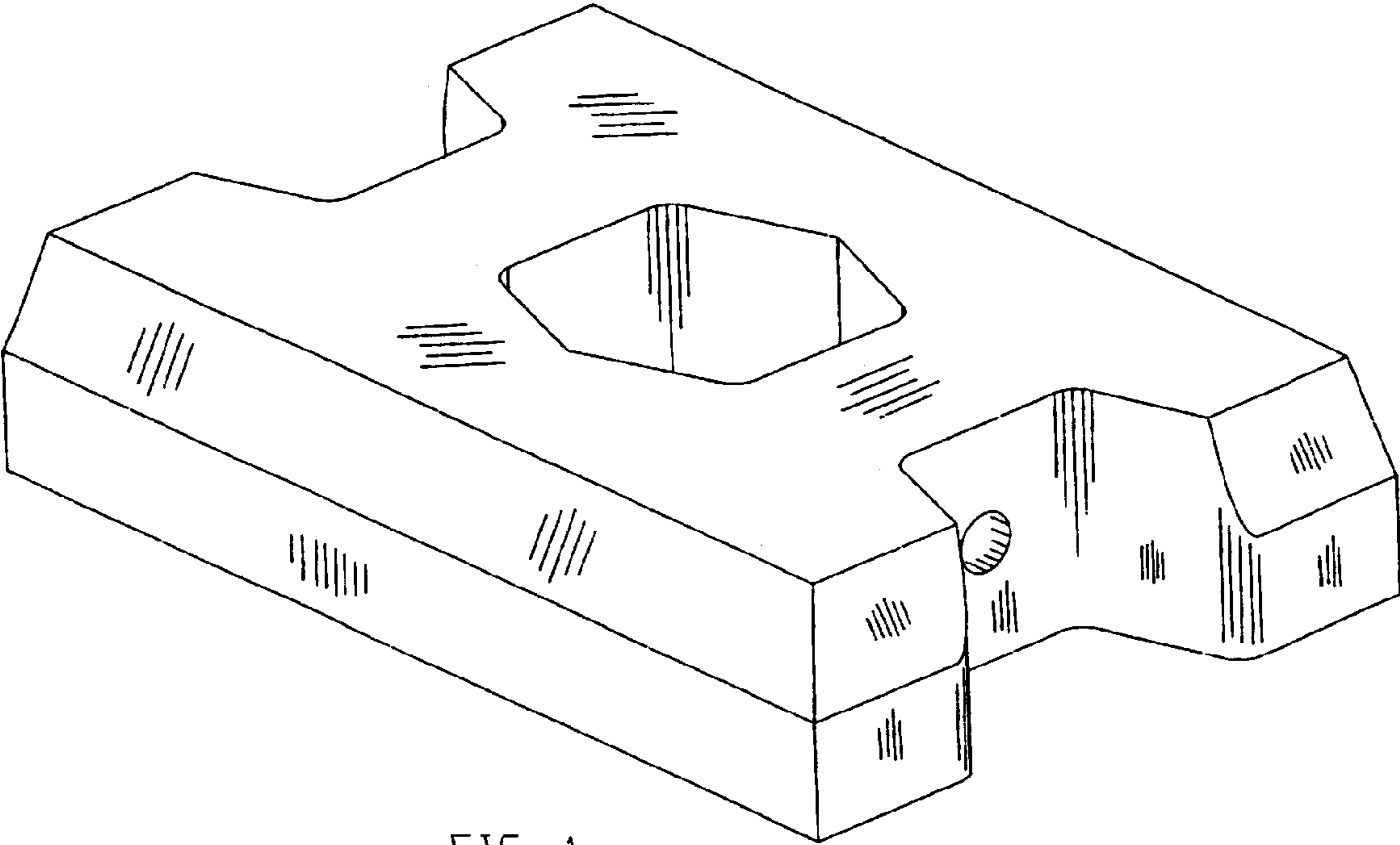


FIG. 1

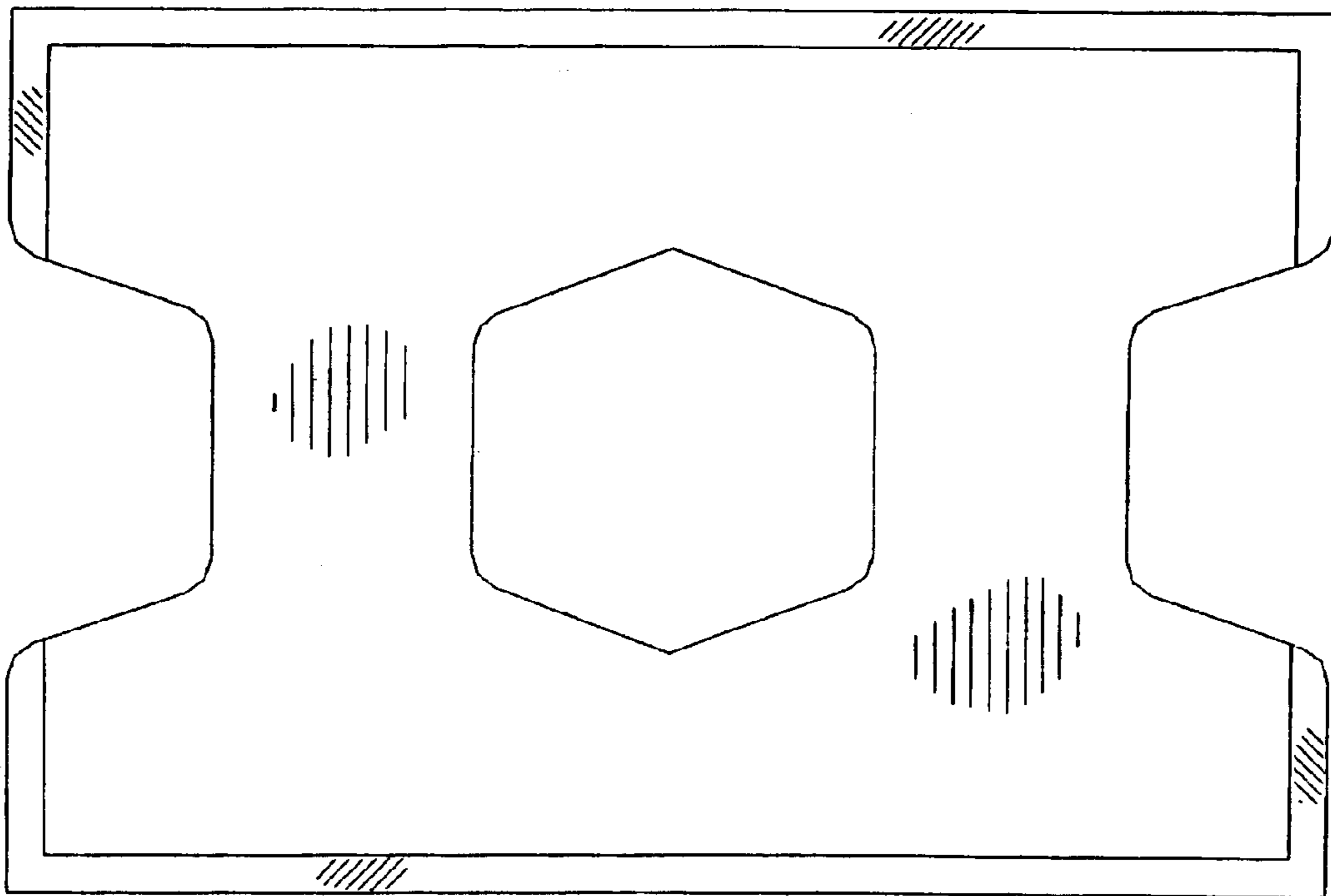


FIG. 2

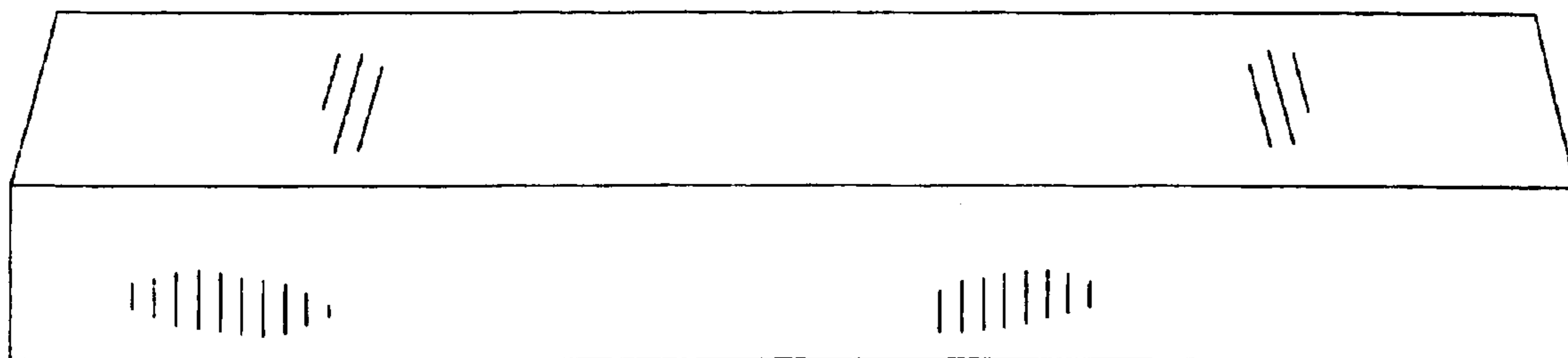


FIG. 3

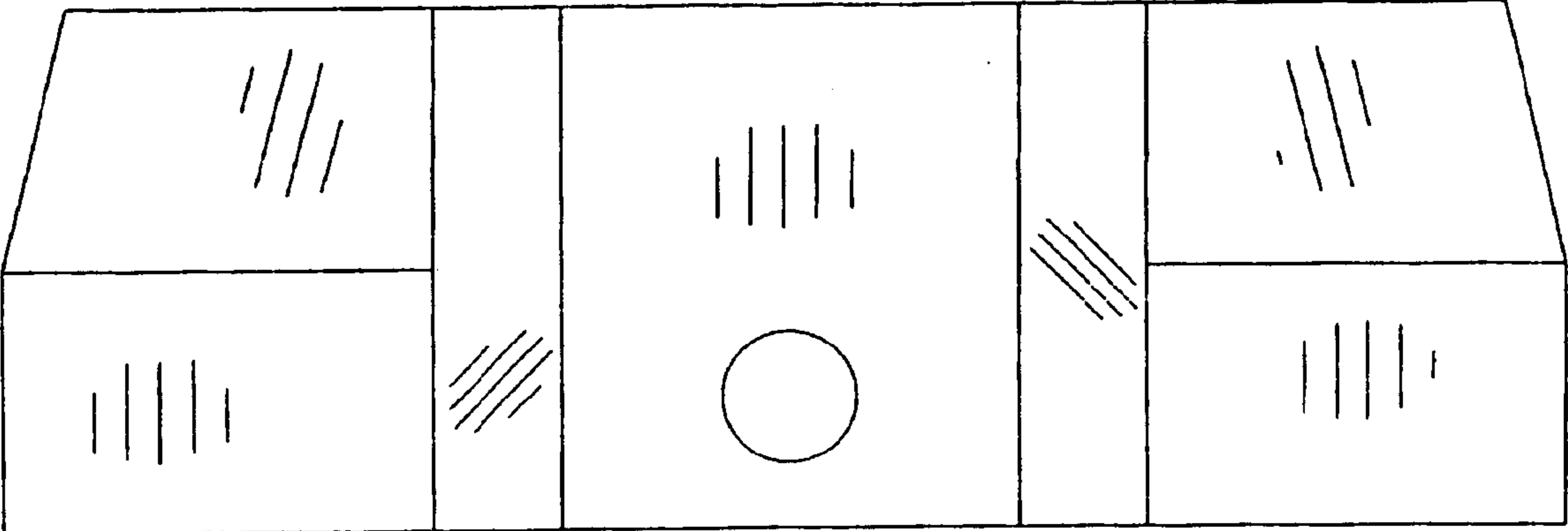


FIG. 4

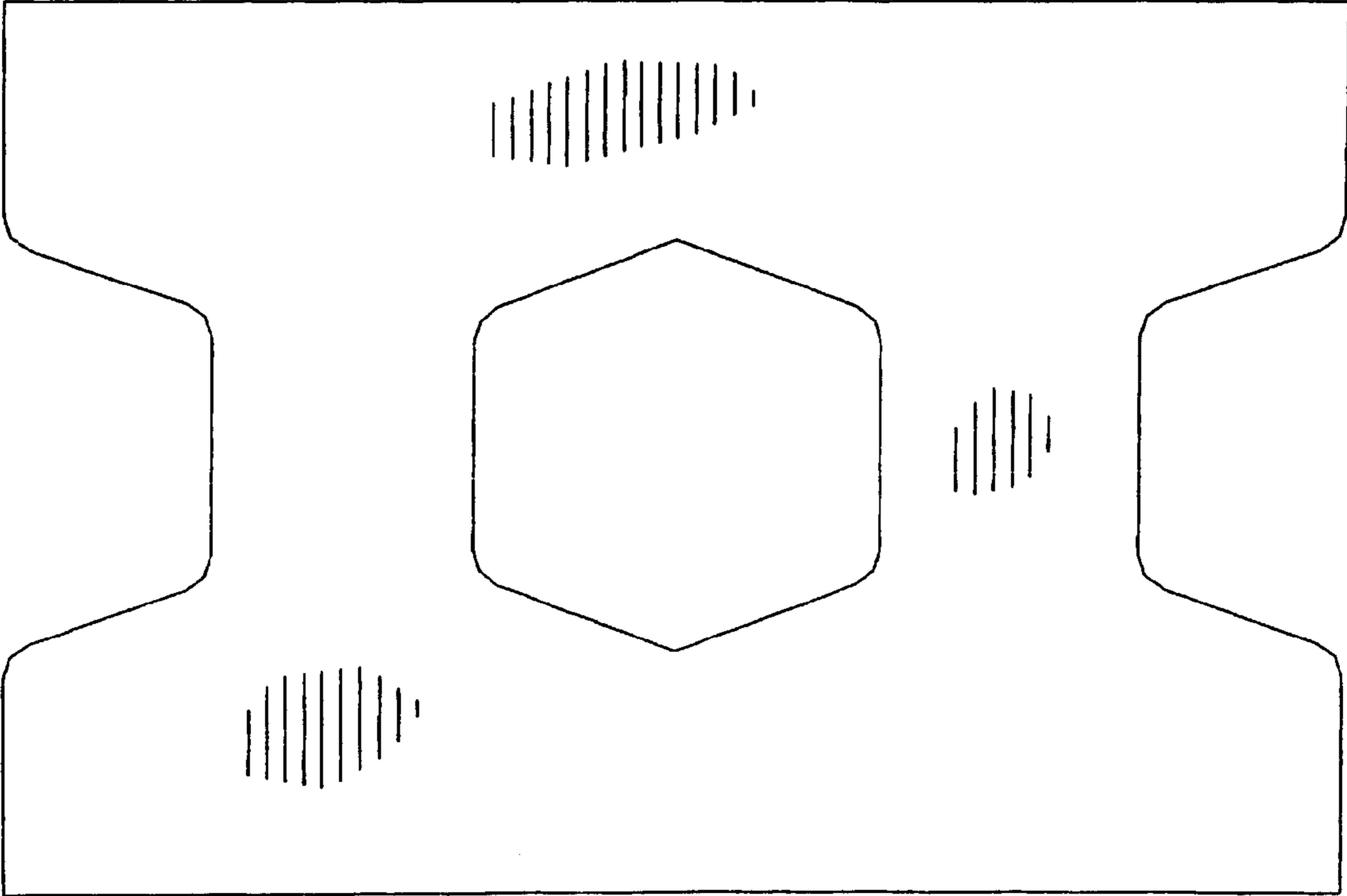


FIG. 5