



US00D516732S

(12) **United States Design Patent**
Sakurai et al.

(10) **Patent No.:** **US D516,732 S**
(45) **Date of Patent:** **** Mar. 7, 2006**

(54) **CONTAINER**

D482,796 S * 11/2003 Oyama et al. D24/232
2005/0042145 A1 * 2/2005 Ueda et al. 422/102

(75) Inventors: **Kazuyuki Sakurai**, Akashi (JP);
Makoto Ueda, Kakogawa (JP)

FOREIGN PATENT DOCUMENTS

(73) Assignee: **Sysmex Corporation**, Hyogo (JP)

EP 0 661 532 A2 7/1995
WO WO 95/11083 4/1995

(**) Term: **14 Years**

* cited by examiner

(21) Appl. No.: **29/209,627**

Primary Examiner—Cathy Anne MacCormac
Assistant Examiner—Melanie Levy

(22) Filed: **Jul. 19, 2004**

(74) *Attorney, Agent, or Firm*—Brinks Hofer Gilson &
Lione; Gregory H. Zayia

(30) **Foreign Application Priority Data**

Jan. 19, 2004 (JP) 2004-1013

(57) **CLAIM**

(51) **LOC (8) Cl.** **24-00**

The ornamental design for a container, as shown and described.

(52) **U.S. Cl.** **D24/216; D24/231; D24/186**

(58) **Field of Classification Search** D24/186,
D24/216, 231, 232, 224; 422/101, 102, 104;
220/23.4, 531, 339, 23.83, DIG. 19; 435/305.1,
435/288.1, 304.1, 305.2, 288.4; D9/455
See application file for complete search history.

DESCRIPTION

FIG. 1 is a perspective view of a container showing our new design;
FIG. 2 is a perspective view thereof shown in an alternate position;
FIG. 3 is a front view of FIG. 1;
FIG. 4 is a rear view of FIG. 1;
FIG. 5 is a top plan view of FIG. 1;
FIG. 6 is a bottom plan view of FIG. 1;
FIG. 7 is a right side view of FIG. 1;
FIG. 8 is a cross-sectional view thereof taken along the line 8—8 in FIG. 5; and,
FIG. 9 is a cross-sectional view thereof taken along line 9—9 in FIG. 5.

(56) **References Cited**

U.S. PATENT DOCUMENTS

3,139,208 A * 6/1964 Irwin et al. 220/23.8
4,560,269 A 12/1985 Baldszun et al.
5,005,721 A * 4/1991 Jordan 220/23.4
D339,869 S * 9/1993 Schea et al. D24/224
D380,555 S 7/1997 Kurosaki et al.
5,658,532 A 8/1997 Kurosaki et al.
5,846,489 A 12/1998 Bienhaus et al.
D404,832 S * 1/1999 Laskey et al. D24/231
D453,573 S * 2/2002 Lafond et al. D24/224

1 Claim, 9 Drawing Sheets

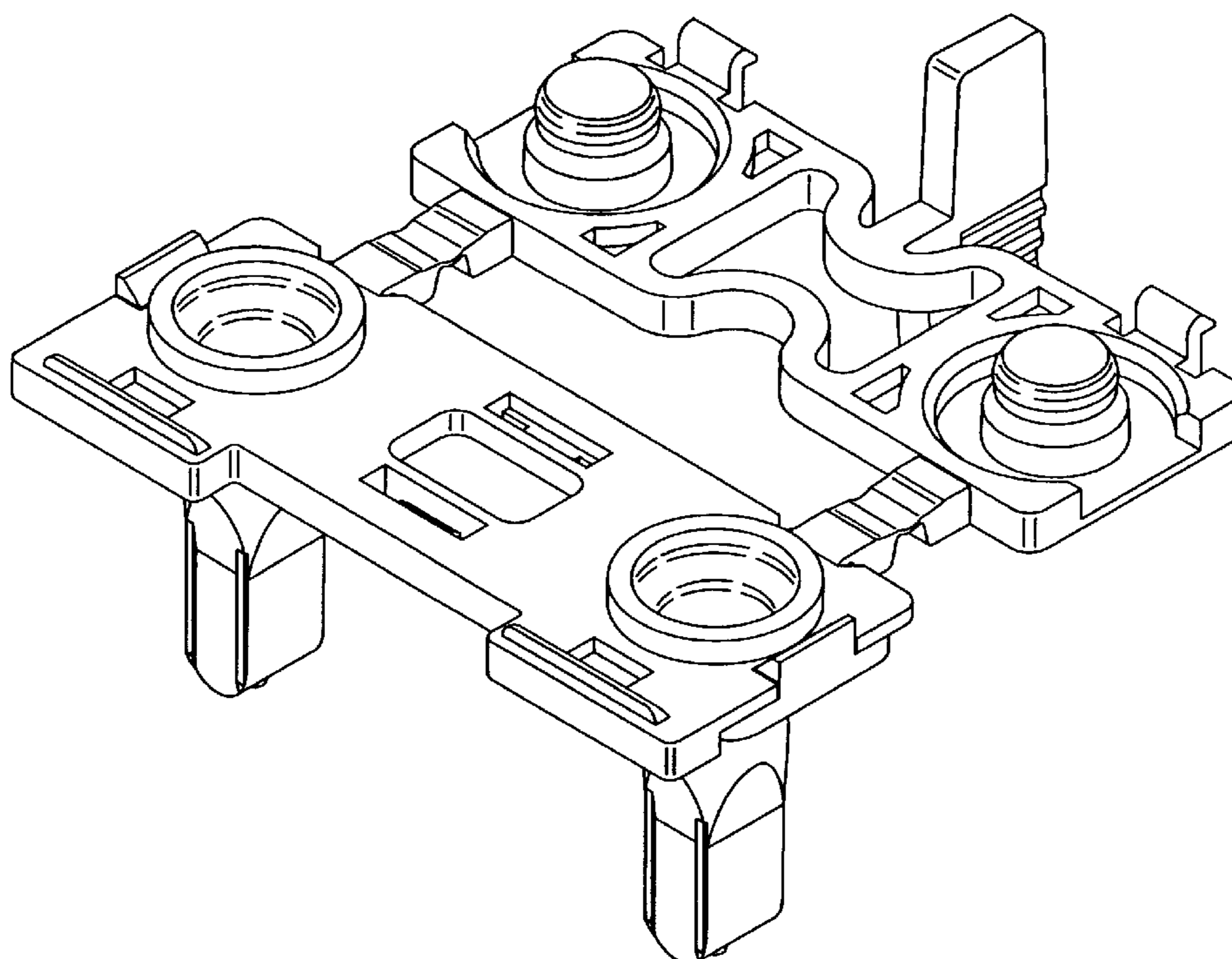


FIG.1

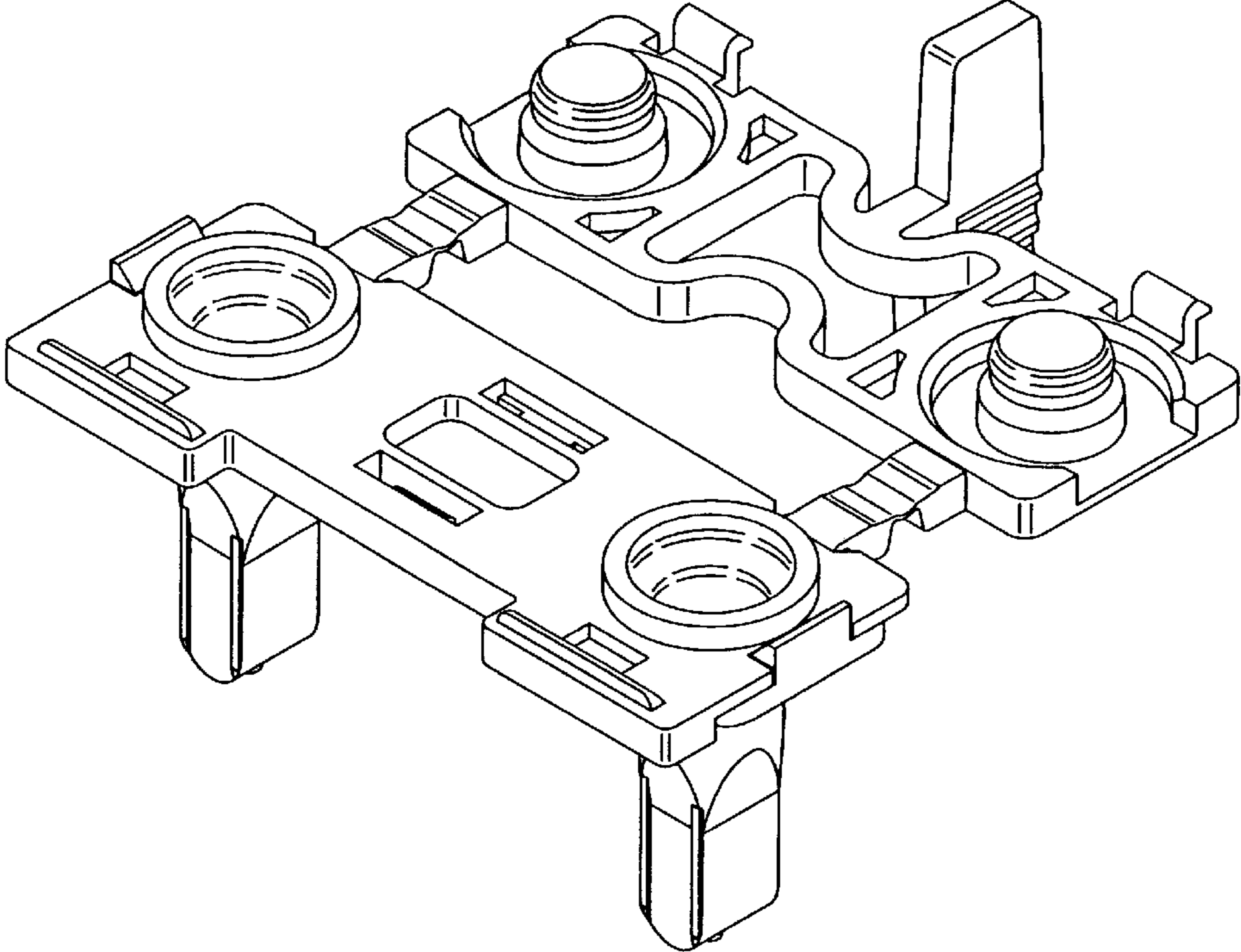


FIG.2

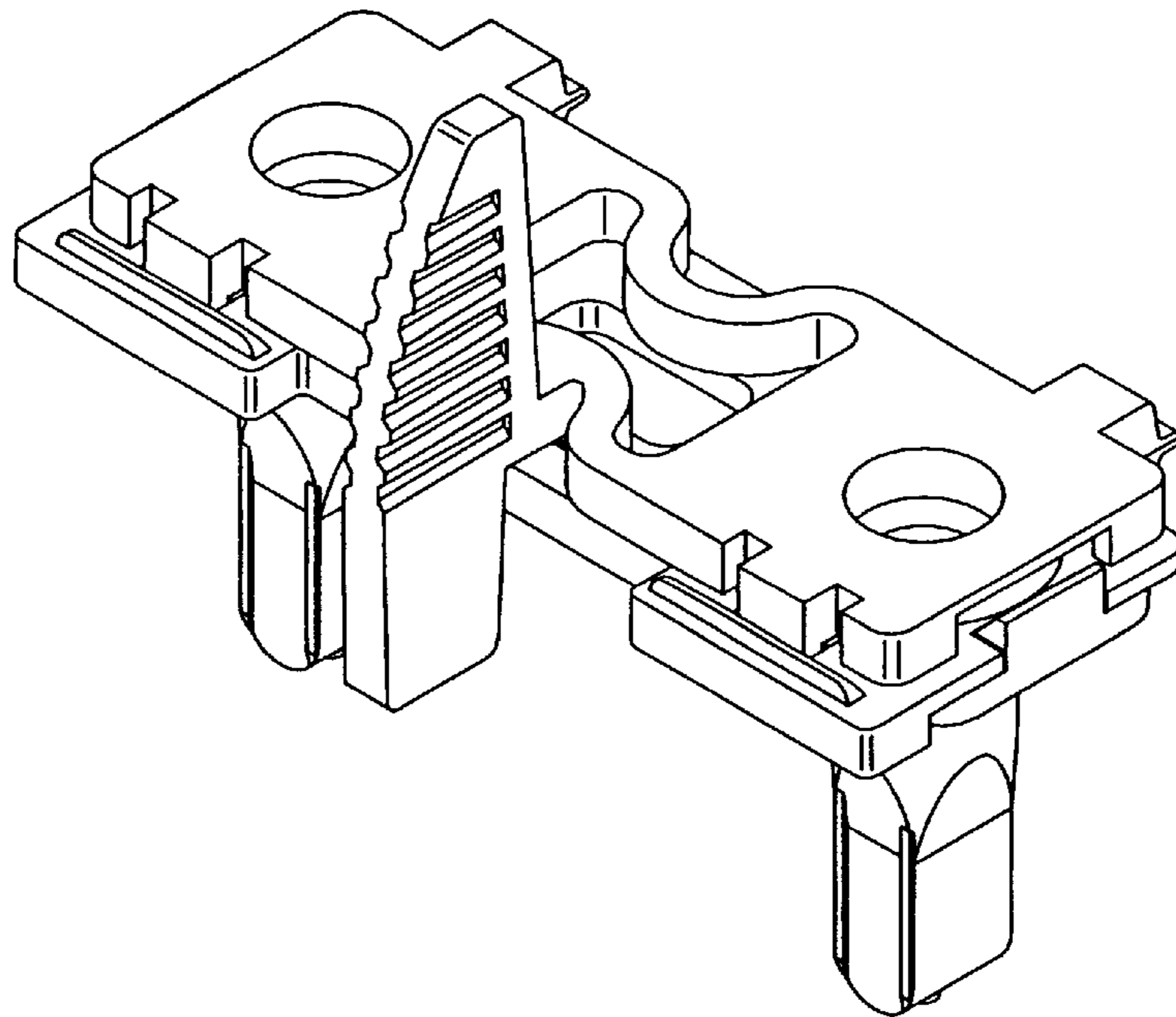


FIG.3

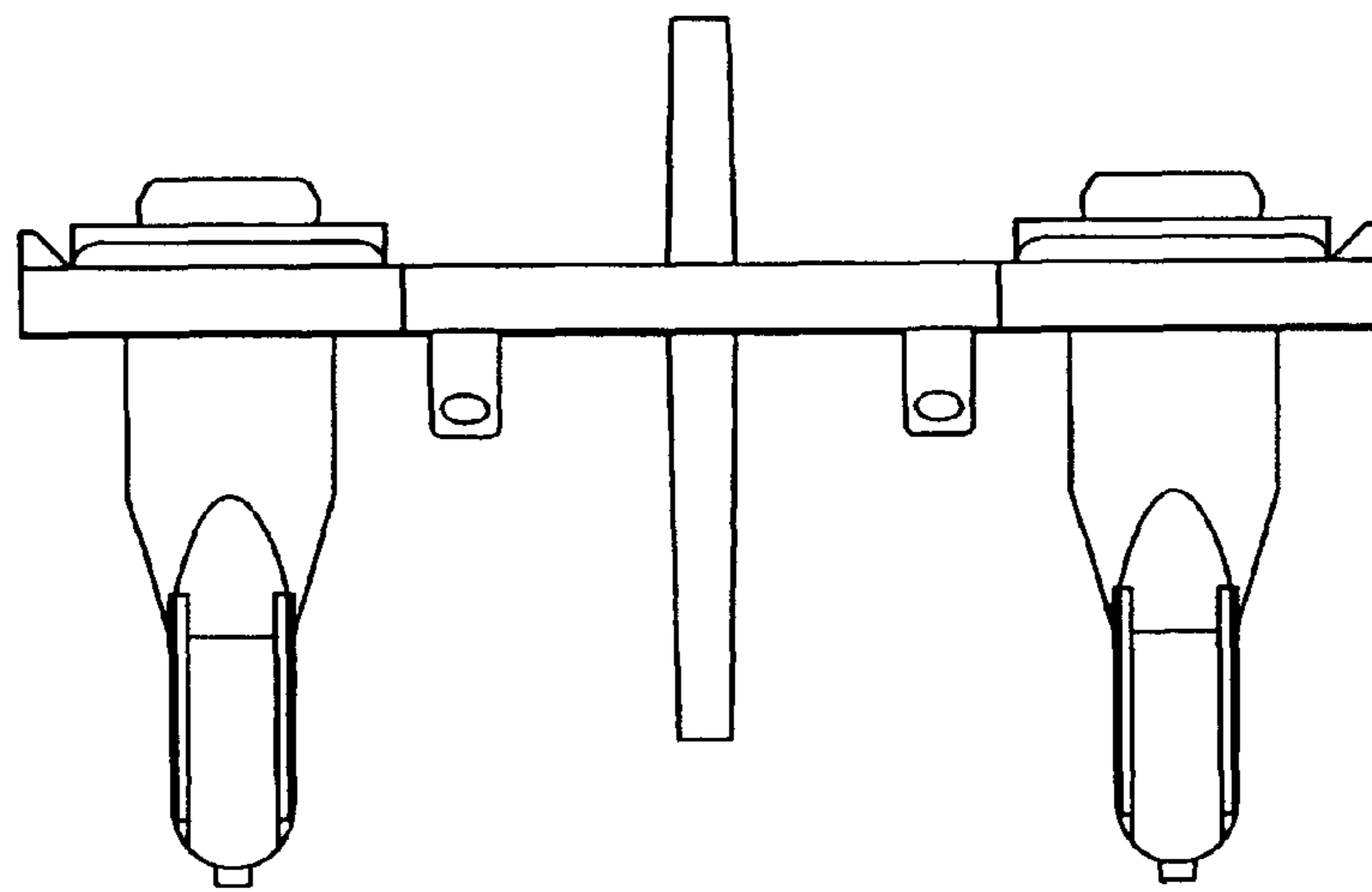


FIG.4

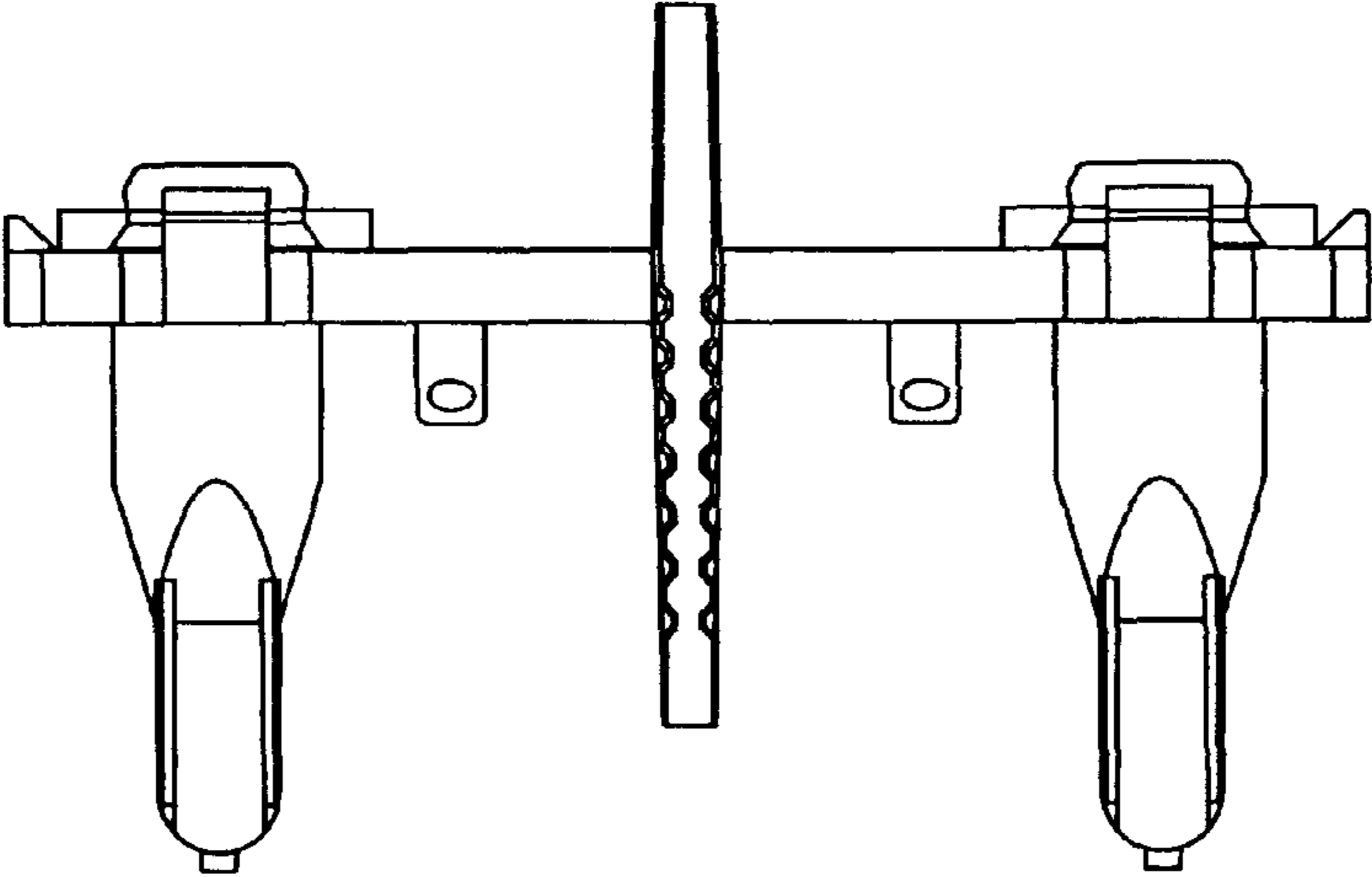


FIG.5

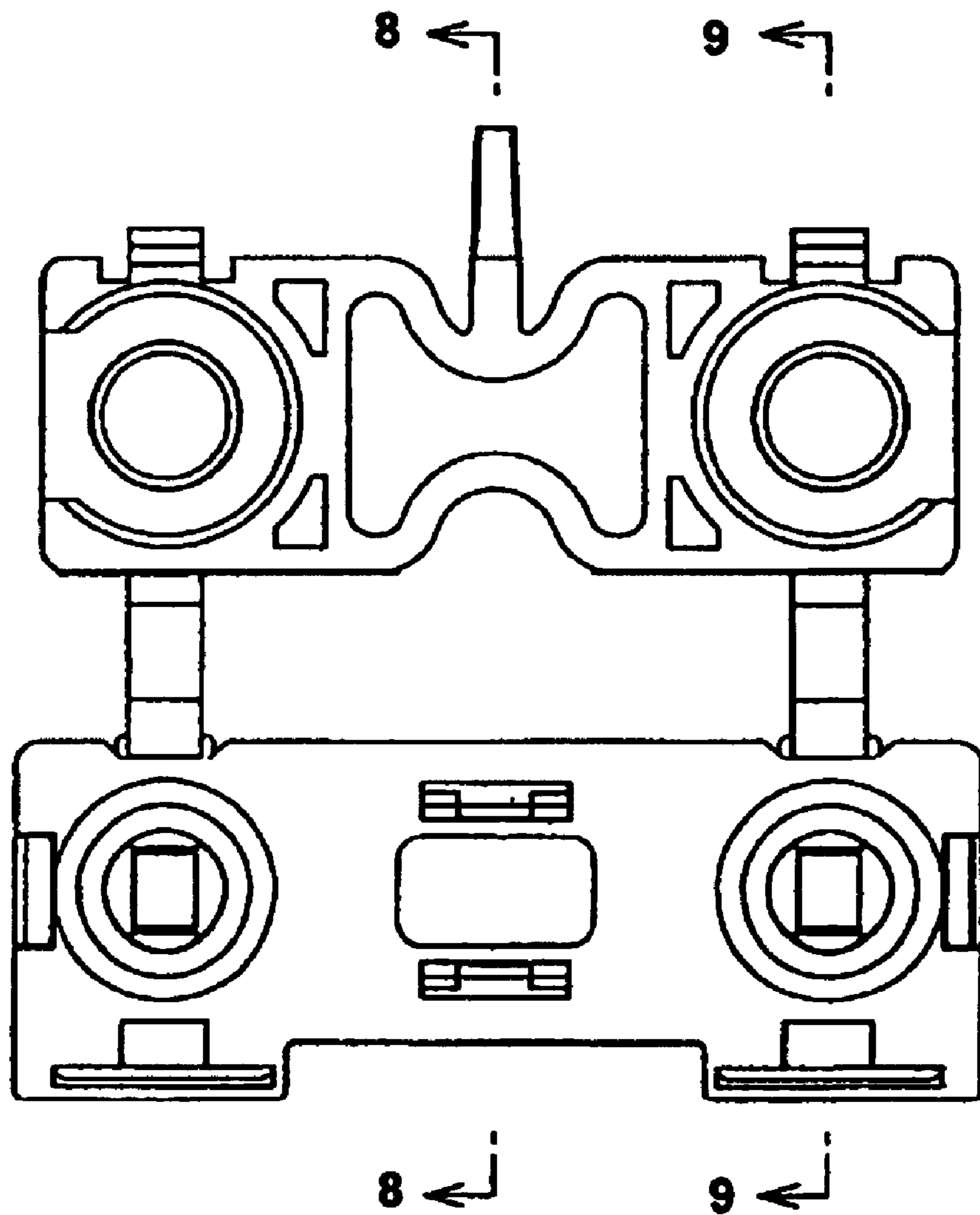


FIG.6

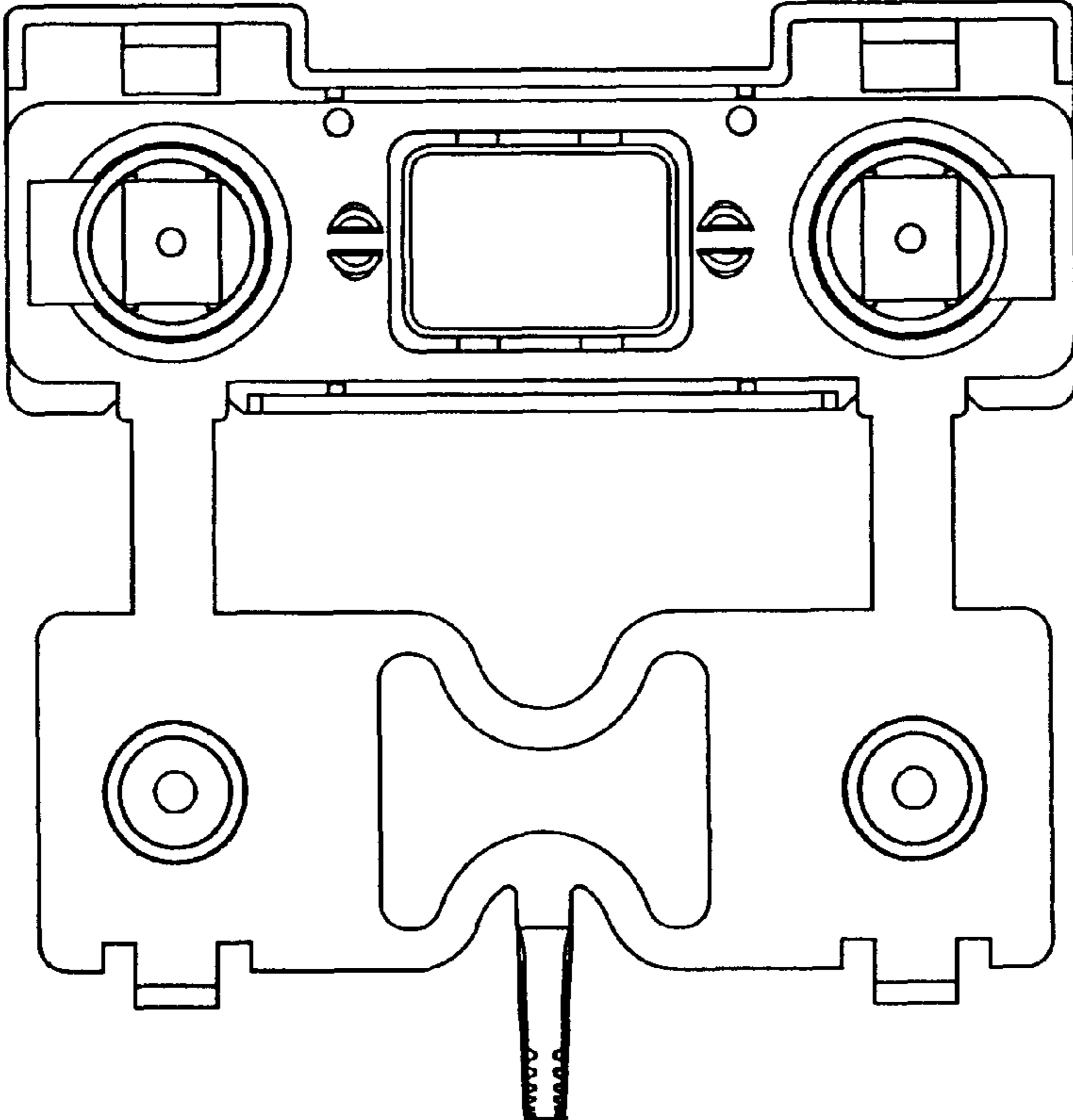


FIG. 7

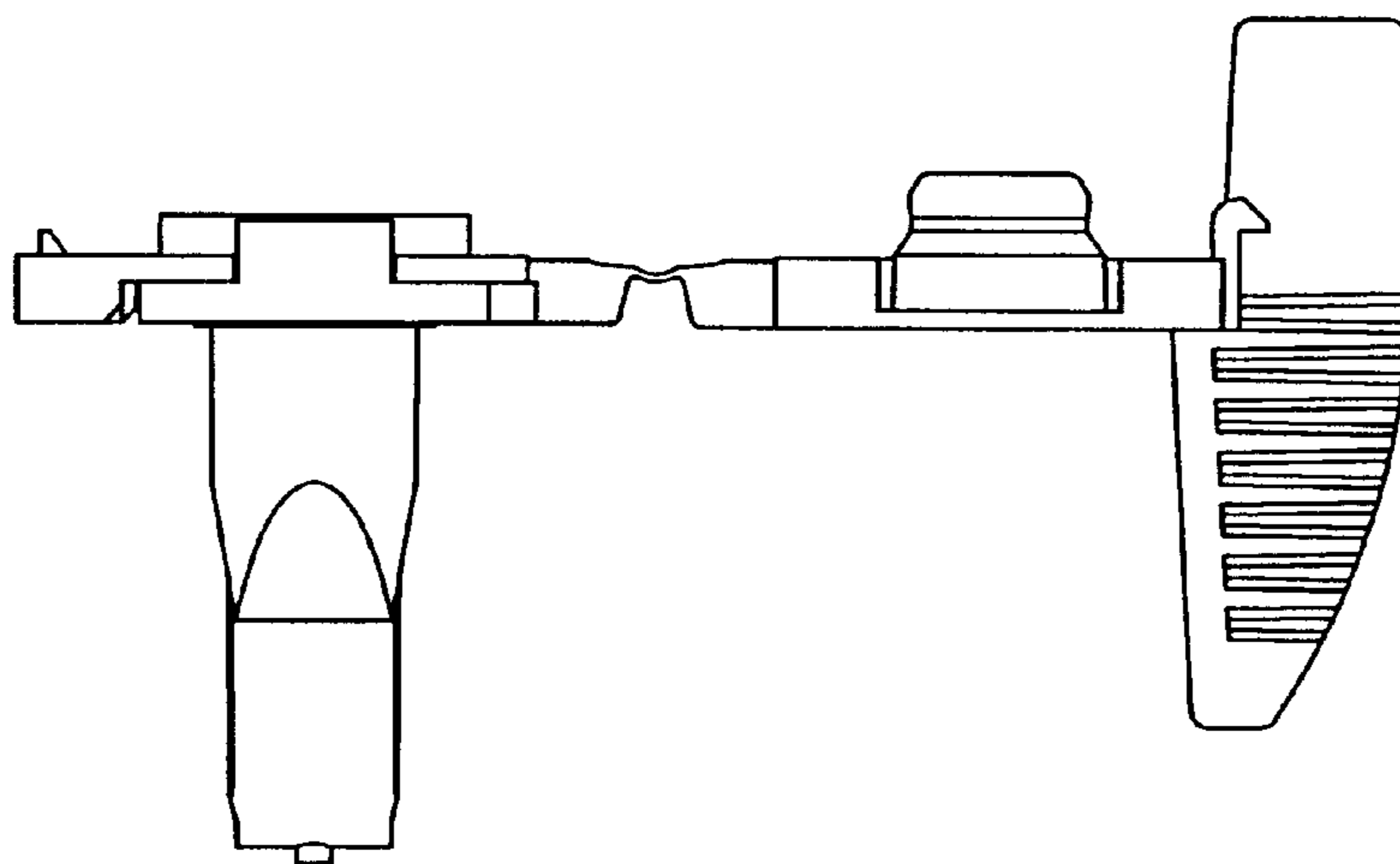


FIG.8

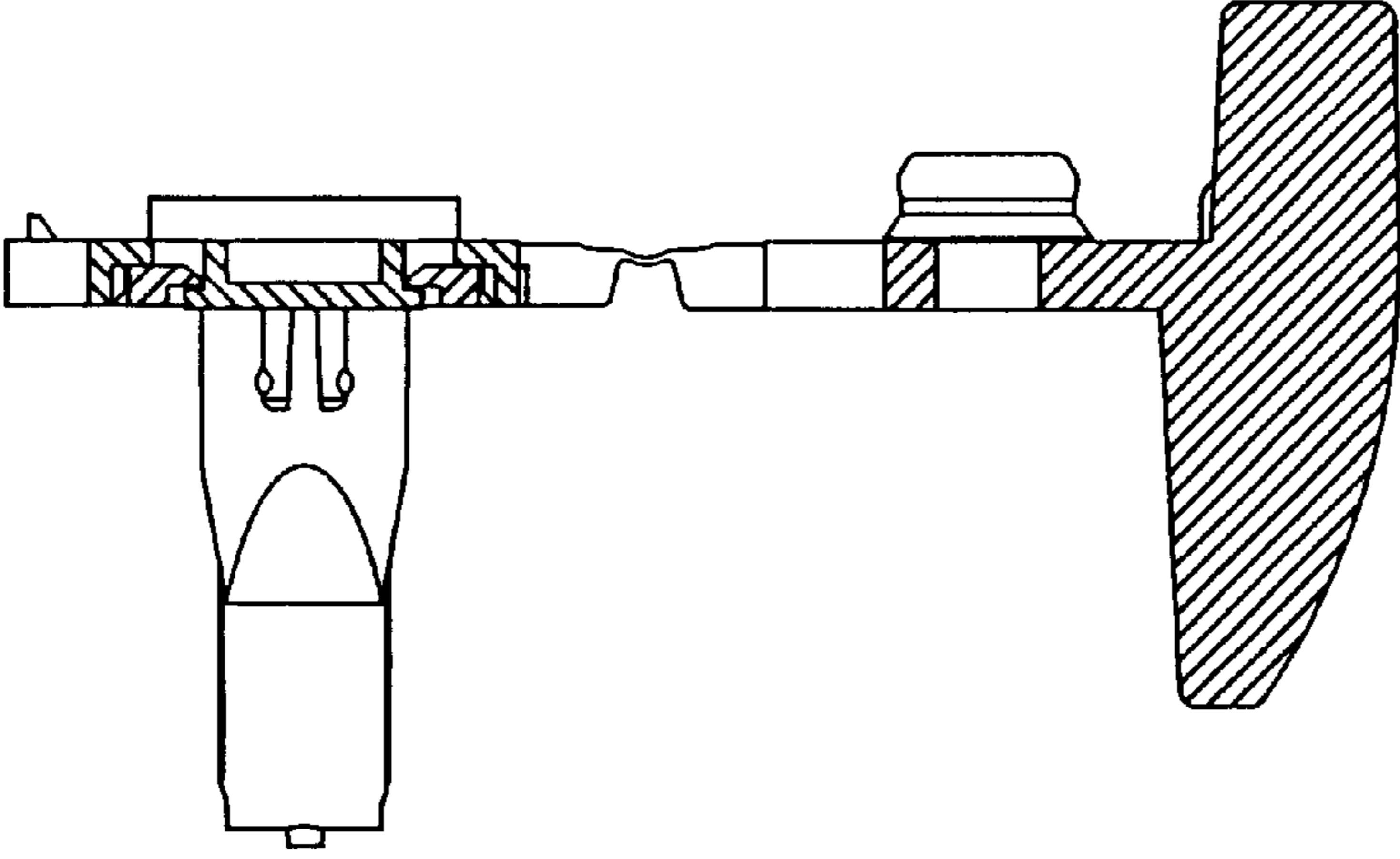


FIG.9

