



US00D516727S

(12) **United States Design Patent**
Neri

(10) **Patent No.:** **US D516,727 S**
(45) **Date of Patent:** **** Mar. 7, 2006**

(54) **EYE-PATCH**
(75) **Inventor:** **Giampaolo Neri, Ronchi (IT)**
(73) **Assignee:** **Pietrasanta Pharma S.r.l., Lucca (IT)**
(**) **Term:** **14 Years**

3,908,645 A * 9/1975 Sandvig 602/74
4,793,003 A * 12/1988 Riedel et al. 2/15
4,915,658 A * 4/1990 Lopata et al. 445/30
5,769,806 A * 6/1998 Radow 602/41
D446,307 S * 8/2001 Bassett D24/189

* cited by examiner

(21) **Appl. No.:** **29/196,057**
(22) **Filed:** **Dec. 19, 2003**
(30) **Foreign Application Priority Data**

Jun. 20, 2003 (EM) 000043526

(51) **LOC (8) Cl.** **24-04**
(52) **U.S. Cl.** **D24/189**
(58) **Field of Classification Search** D24/189;
602/74, 41; 128/888-890, 893, 894, 858;
2/15

See application file for complete search history.

(56) **References Cited**

U.S. PATENT DOCUMENTS

2,268,777 A * 1/1942 Scholl 128/894

Primary Examiner—Ian Simmons
Assistant Examiner—Daniel Yu
(74) *Attorney, Agent, or Firm*—Pollack, P.C.; Grant E. Pollack

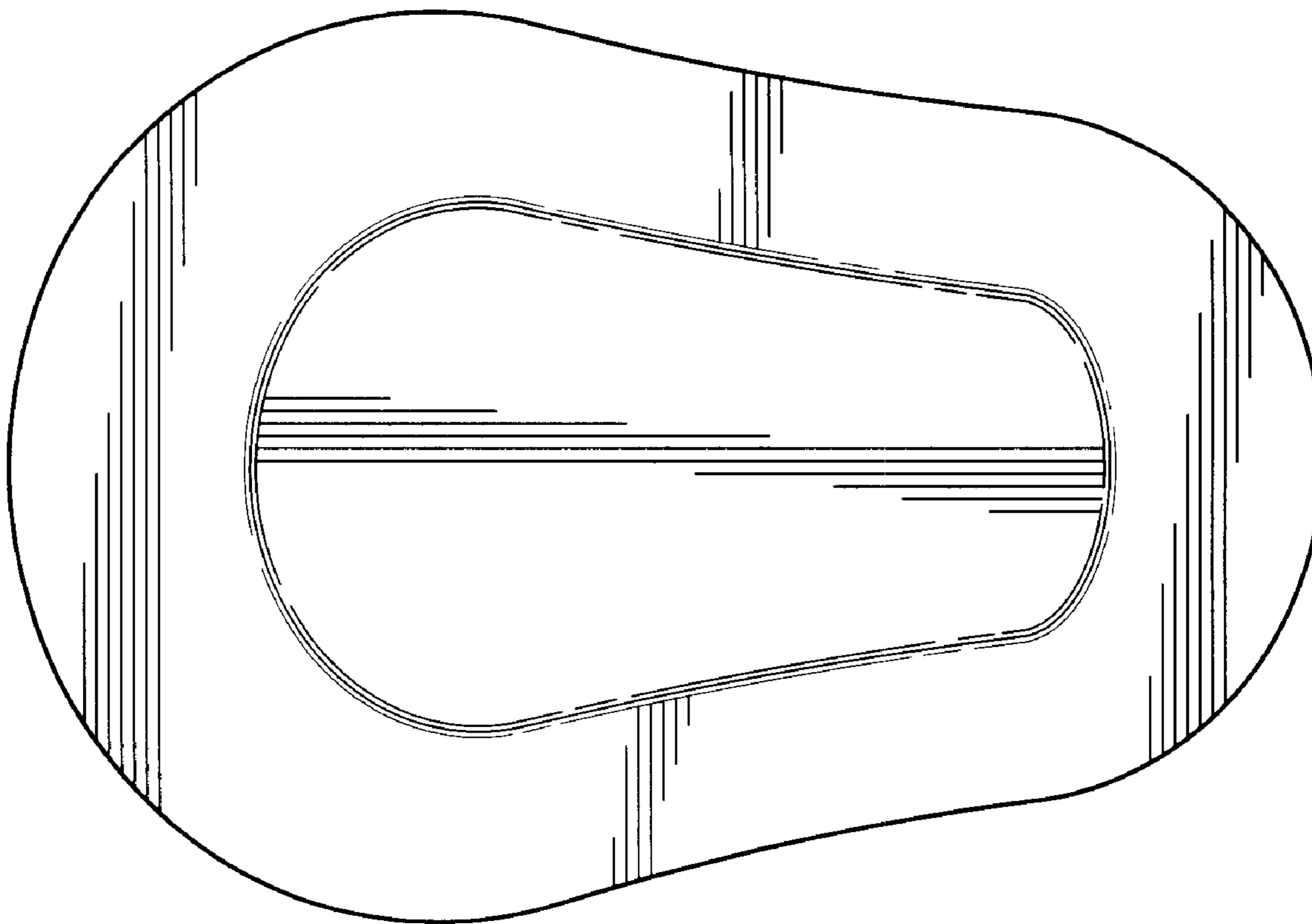
(57) **CLAIM**

I claim the ornamental design for an eye-patch, as shown and described.

DESCRIPTION

FIG. 1 is a front plan view of a specific, illustrative eye-patch according to the present invention;
FIG. 2 is a rear plan view of the eye-patch of FIG. 1; and,
FIG. 3 is a side view of the eye-patch of FIG. 1.

1 Claim, 1 Drawing Sheet



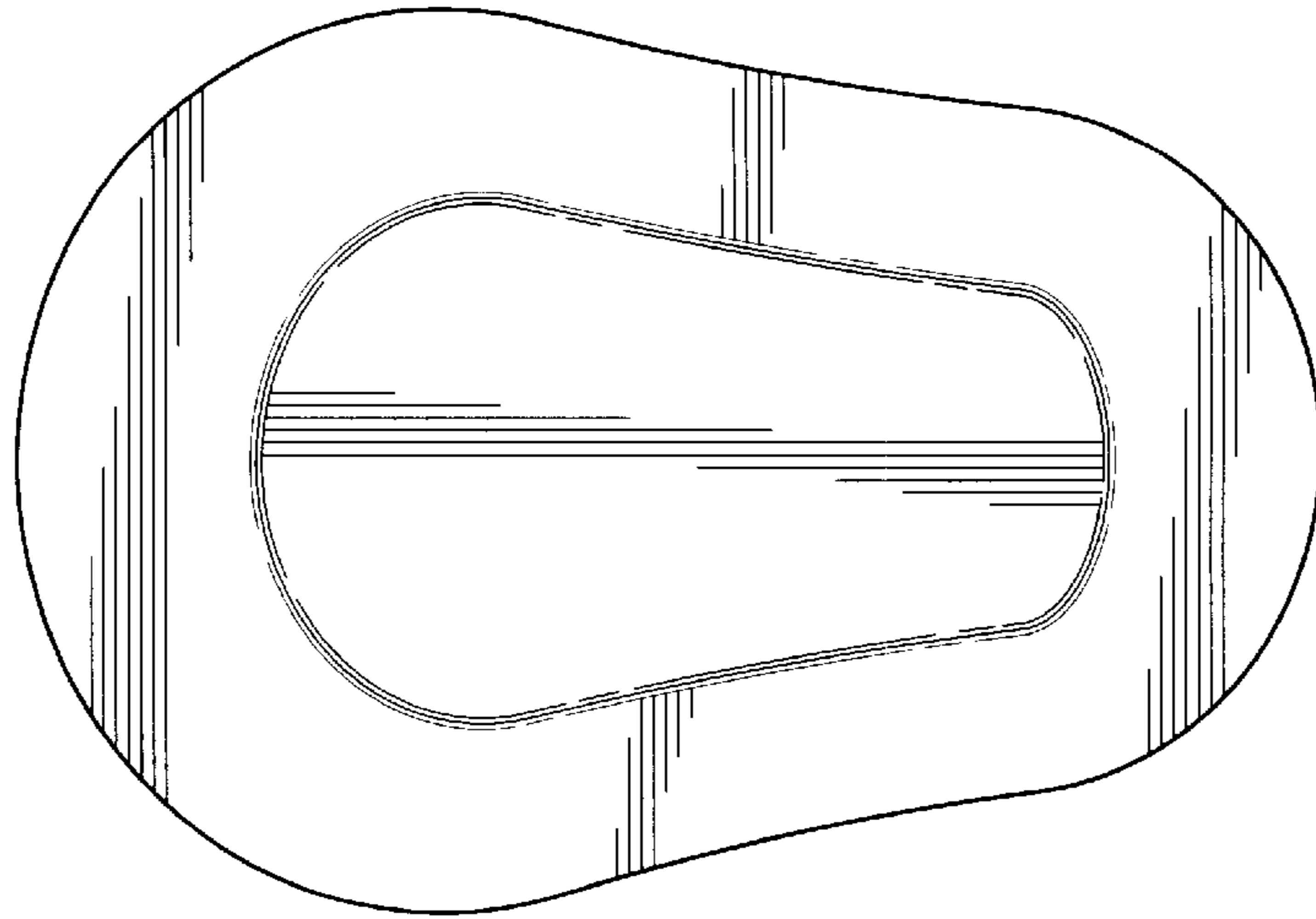


Fig. 1

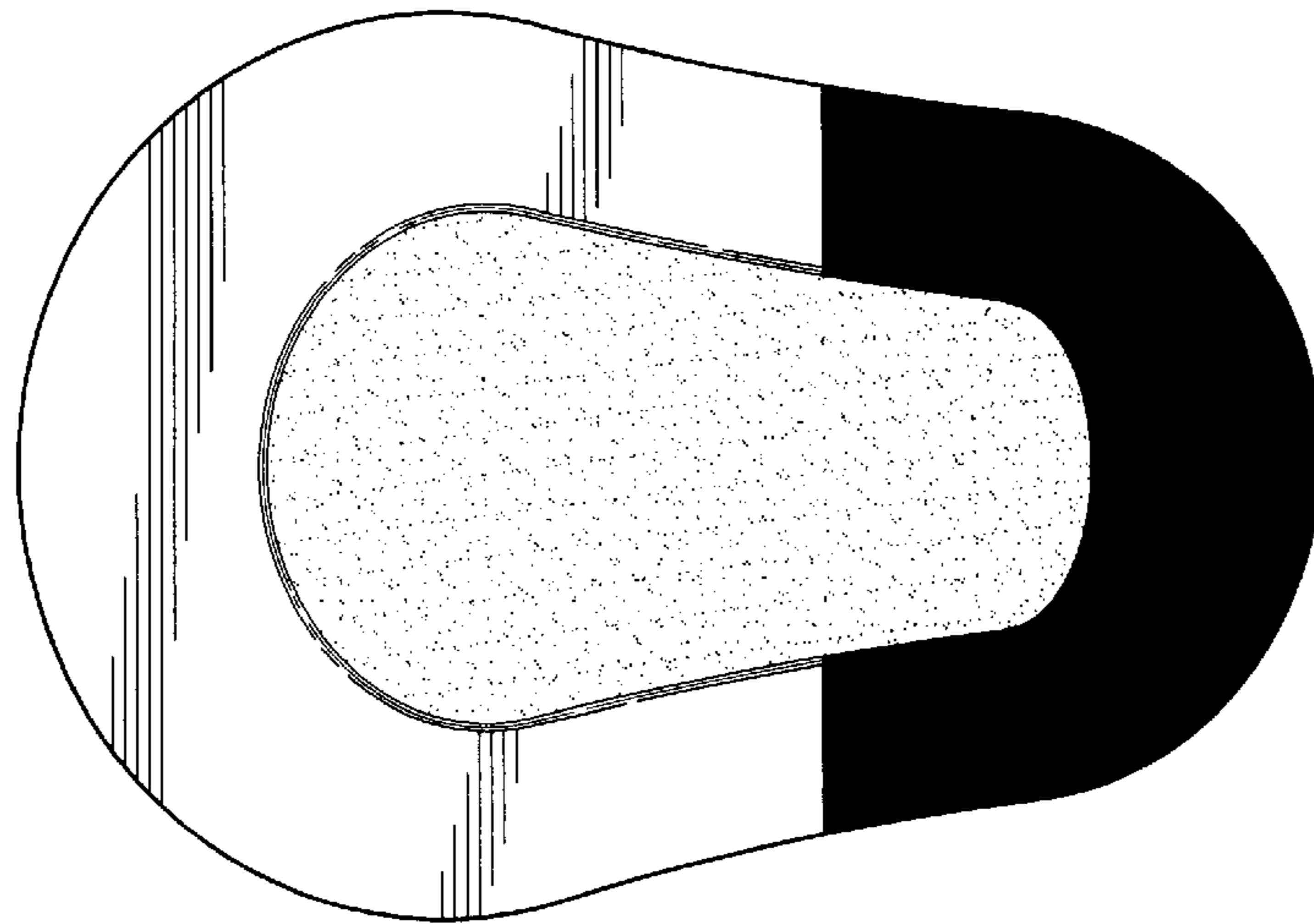


Fig. 2



Fig. 3