



US00D516720S

(12) **United States Design Patent**
Gwen

(10) **Patent No.:** **US D516,720 S**
(45) **Date of Patent:** **** Mar. 7, 2006**

(54) **TONGUE SCRAPER WITH A TABLET HOLDER**

(76) Inventor: **Patrick Gwen**, 1815 Edmundson,
Houston, TX (US) 77003

(**) Term: **14 Years**

(21) Appl. No.: **29/193,890**

(22) Filed: **Nov. 17, 2003**

(51) **LOC (8) Cl.** **24-02**

(52) **U.S. Cl.** **D24/147**

(58) **Field of Classification Search** D24/147,
D24/146, 133; 606/161; 433/141; 206/210,
206/37, 370, 528, 530, 539

See application file for complete search history.

(56) **References Cited**

U.S. PATENT DOCUMENTS

D392,386 S * 3/1998 Nguyen D24/147
6,131,228 A * 10/2000 Chen et al. 606/161
D438,305 S * 2/2001 Ripich et al. D24/147

2004/0092981 A1 * 5/2004 Barlow et al. 606/161
* cited by examiner

Primary Examiner—Ian Simmons
(74) *Attorney, Agent, or Firm*—Egbert Law Offices

(57) **CLAIM**

I claim the ornamental design for a tongue scraper with a tablet holder, as shown and described.

DESCRIPTION

FIG. 1 is an upper perspective view of the tongue scraper with a tablet holder showing my design.

FIG. 2 is a side view thereof, an opposite side view being a mirror image thereof;

FIG. 3 is a top plan view thereof;

FIG. 4 is a bottom view thereof;

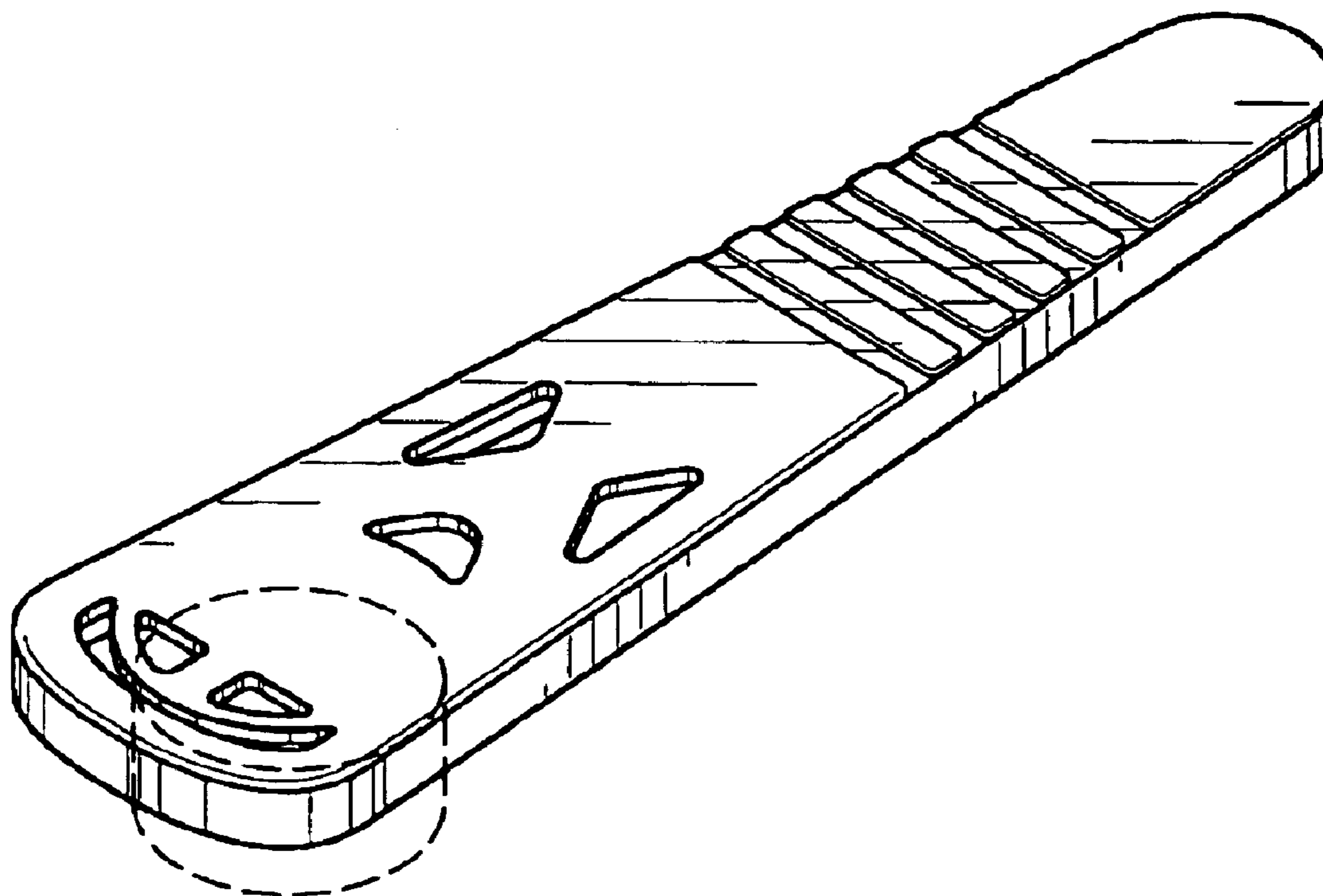
FIG. 5 is an end view thereof;

FIG. 6 is an opposite end view thereof; and,

FIG. 7 is a side view thereof.

The broken line showing in FIGS. 1 and 7 of the tablet are for illustrative purposes only and forms no part of the claimed design.

1 Claim, 2 Drawing Sheets



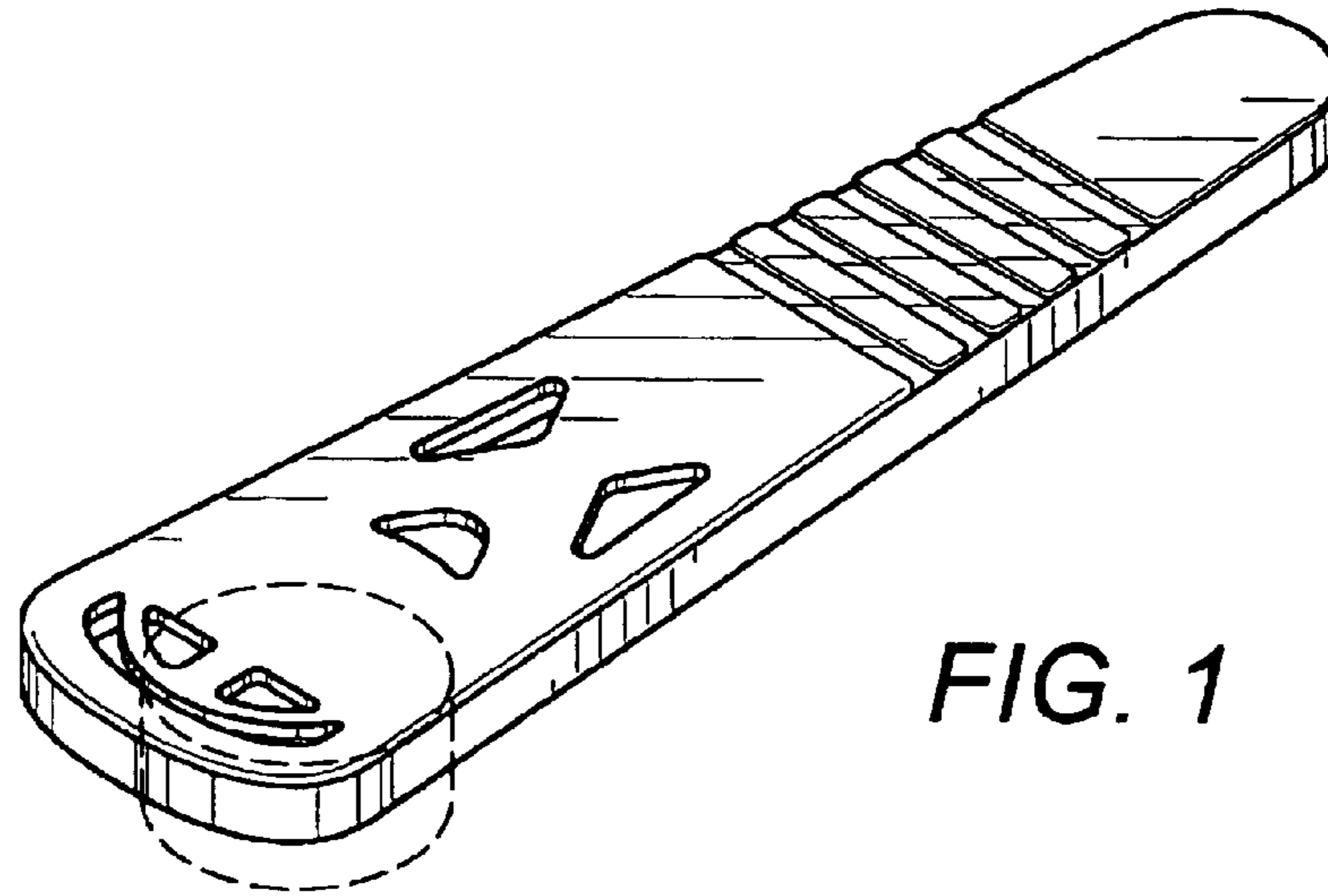


FIG. 1



FIG. 2

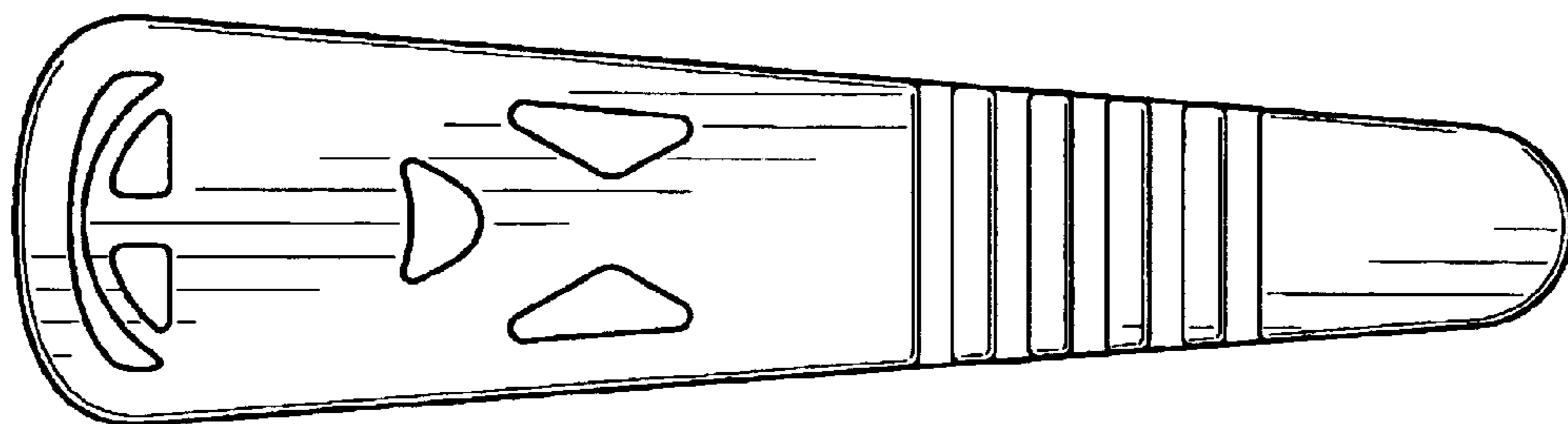


FIG. 3

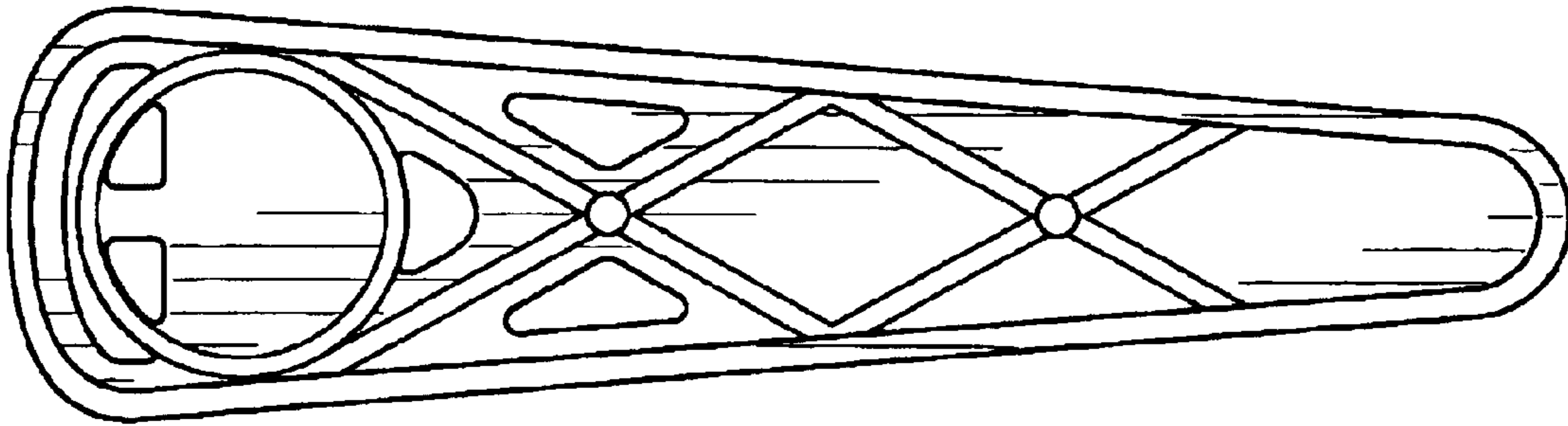


FIG. 4



FIG. 5

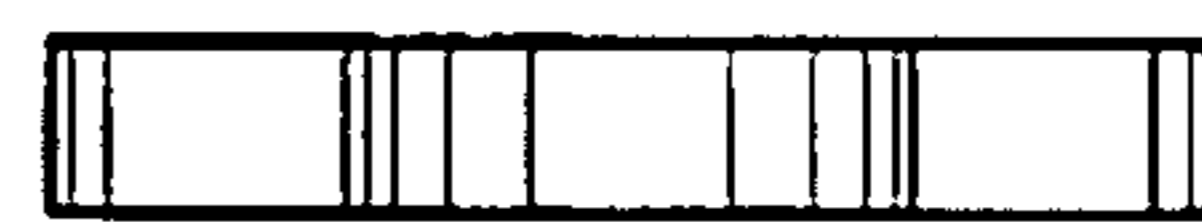


FIG. 6

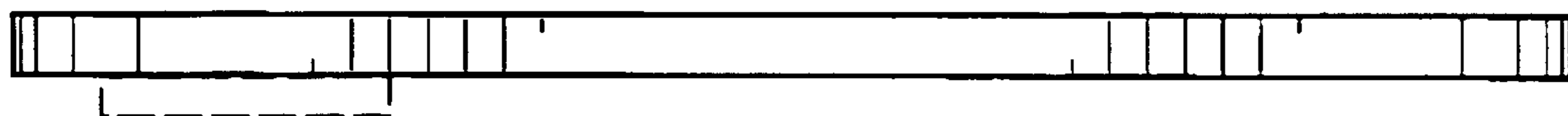


FIG. 7