



US00D516717S

(12) **United States Design Patent**
Turchi et al.

(10) **Patent No.:** **US D516,717 S**
(45) **Date of Patent:** **** Mar. 7, 2006**

(54) **TAMPON APPLICATOR PLUNGER**

(75) Inventors: **Mario Turchi**, Tenafly, NJ (US); **Troy Phipps**, Brooklyn, NY (US)

(73) Assignee: **Playtex Products, Inc.**, Westport, CT (US)

(**) Term: **14 Years**

(21) Appl. No.: **29/201,239**

(22) Filed: **Mar. 11, 2004**

(51) **LOC (8) Cl.** **24-02**

(52) **U.S. Cl.** **D24/141; D24/114; D24/130**

(58) **Field of Classification Search** D24/141, D24/114, 112, 130, 113; 604/15, 11, 16, 17, 604/57, 59, 904, 187, 218, 221, 227, 286, 604/285, 288; 222/386.5; D8/301, 310, DIG. 1, D8/DIG. 2, DIG. 6, DIG. 7, DIG. 5
See application file for complete search history.

(56) **References Cited**

U.S. PATENT DOCUMENTS

2,890,698	A	*	6/1959	Sloane	D24/114
3,628,533	A		12/1971	Loyer	128/263
D250,663	S		12/1978	Koch et al.	D24/99
4,508,531	A		4/1985	Whitehead	604/14
4,536,178	A		8/1985	Lichstein et al.	604/15

* cited by examiner

Primary Examiner—Ian Simmons

(74) *Attorney, Agent, or Firm*—Ohlandt, Greeley, Ruggiero & Perle, L.L.P.

(57) **CLAIM**

The ornamental design for a tampon applicator plunger, as shown and described.

DESCRIPTION

FIG. 1 is a top view of a tampon applicator plunger according to the present invention;

FIG. 2 is the tampon applicator plunger of FIG. 1, flipped 180 degrees and rotated by 90 degrees about a longitudinal axis;

FIG. 3 is the tampon applicator plunger of FIG. 2, flipped by 180 degrees;

FIG. 4 is a front perspective view of the tampon applicator plunger of FIG. 1;

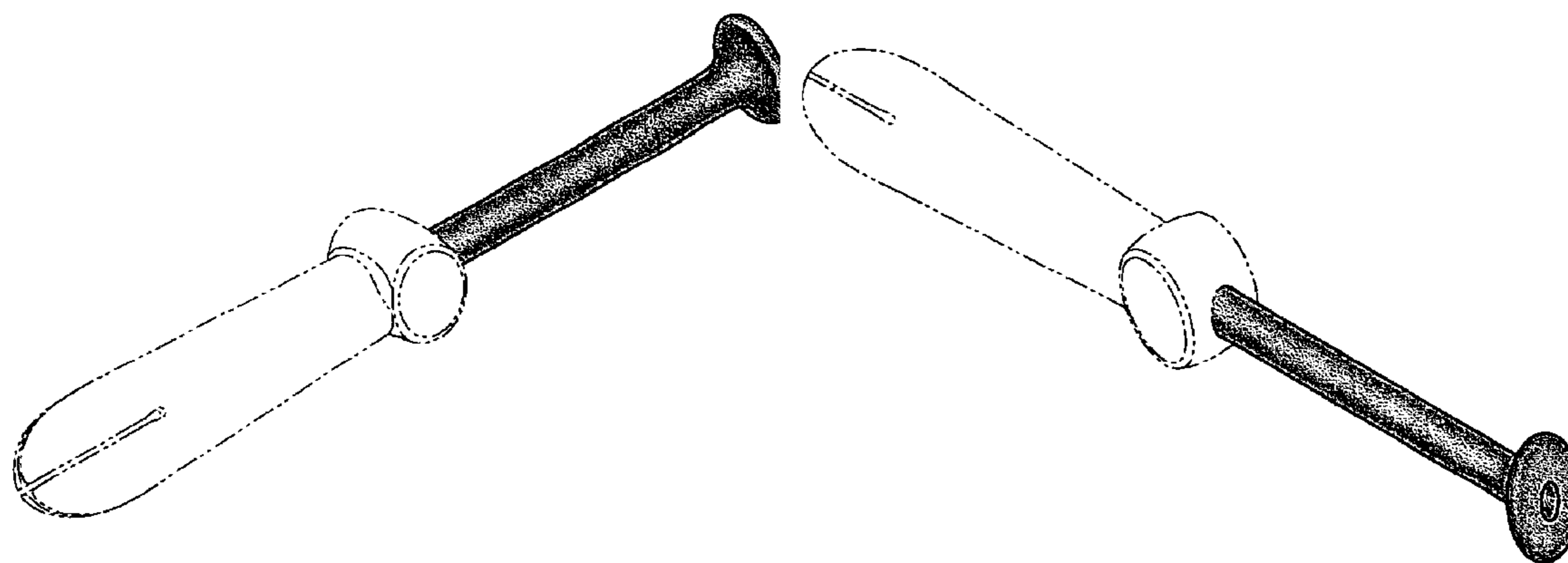
FIG. 5 is a rear perspective view of the tampon applicator plunger of FIG. 1;

FIG. 6 is a front end view of the tampon applicator plunger of FIG. 1; and,

FIG. 7 is a rear end view of the tampon applicator plunger of FIG. 1.

The broken line showing is for illustrative purposes only and forms no part of the claimed design.

1 Claim, 3 Drawing Sheets



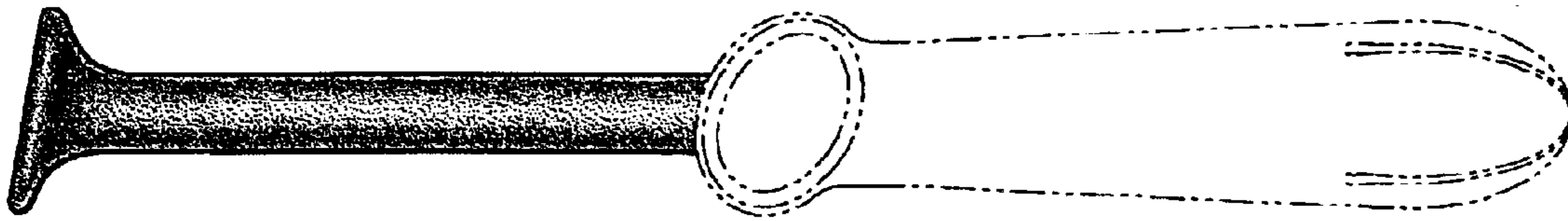


FIG. 1

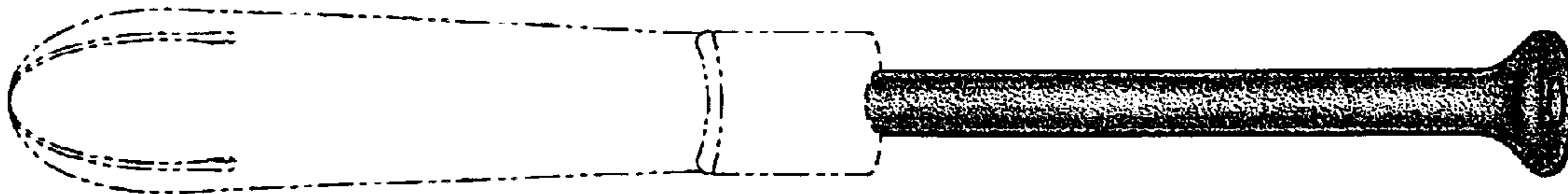


FIG. 2

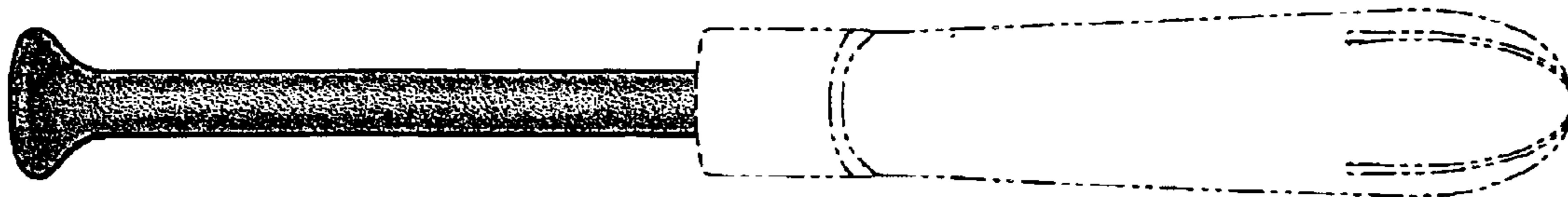


FIG. 3

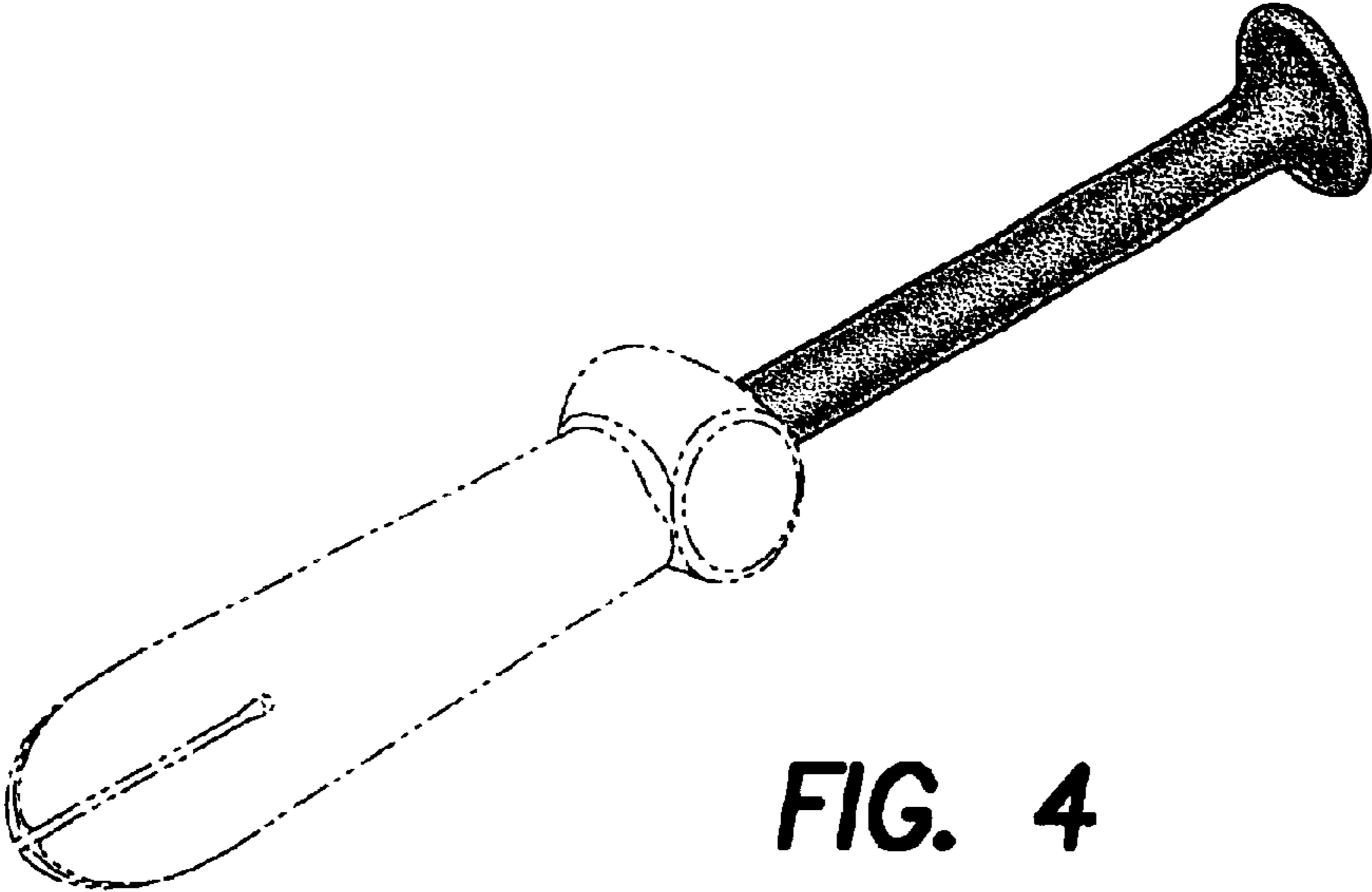


FIG. 4

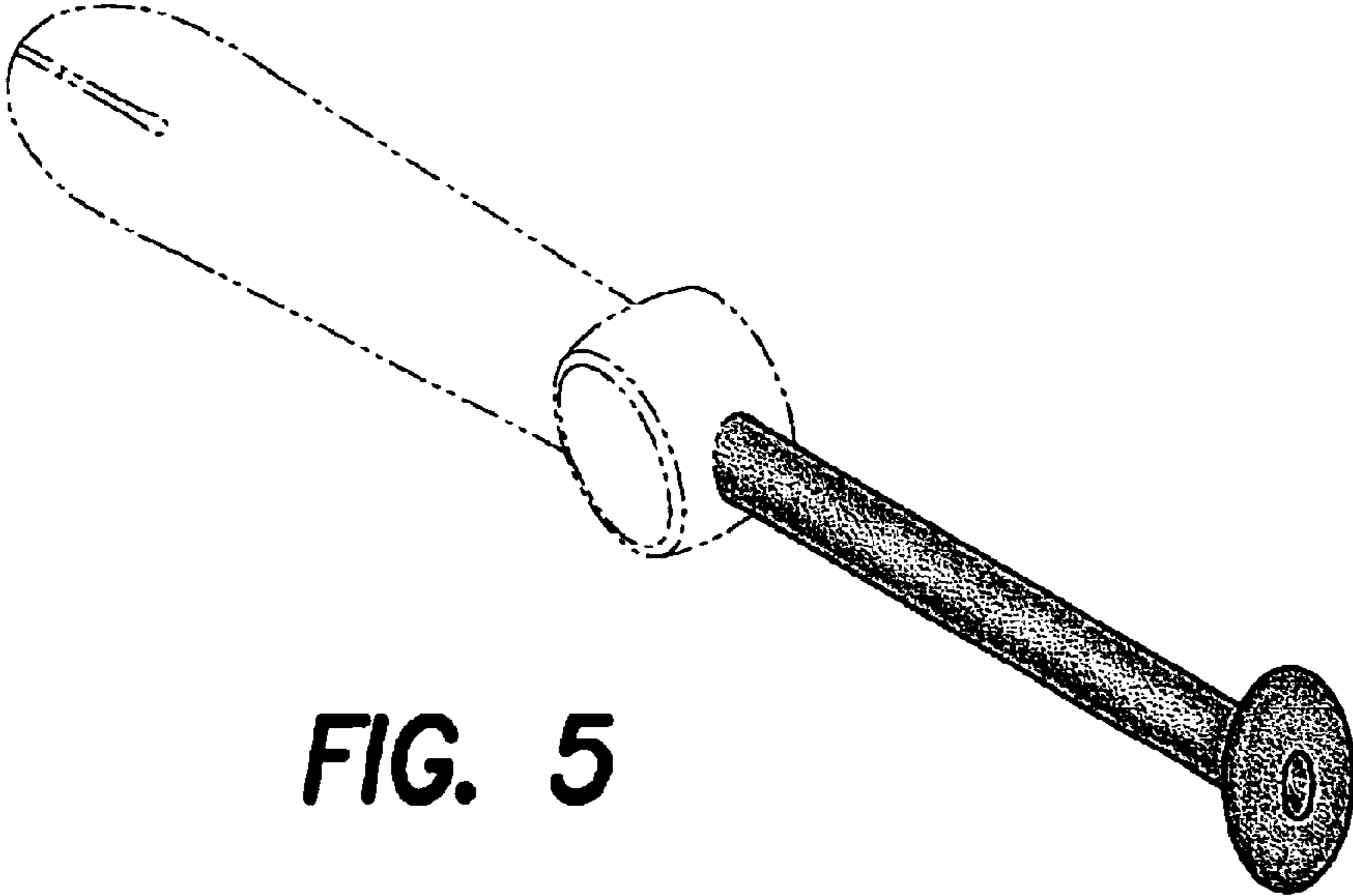


FIG. 5

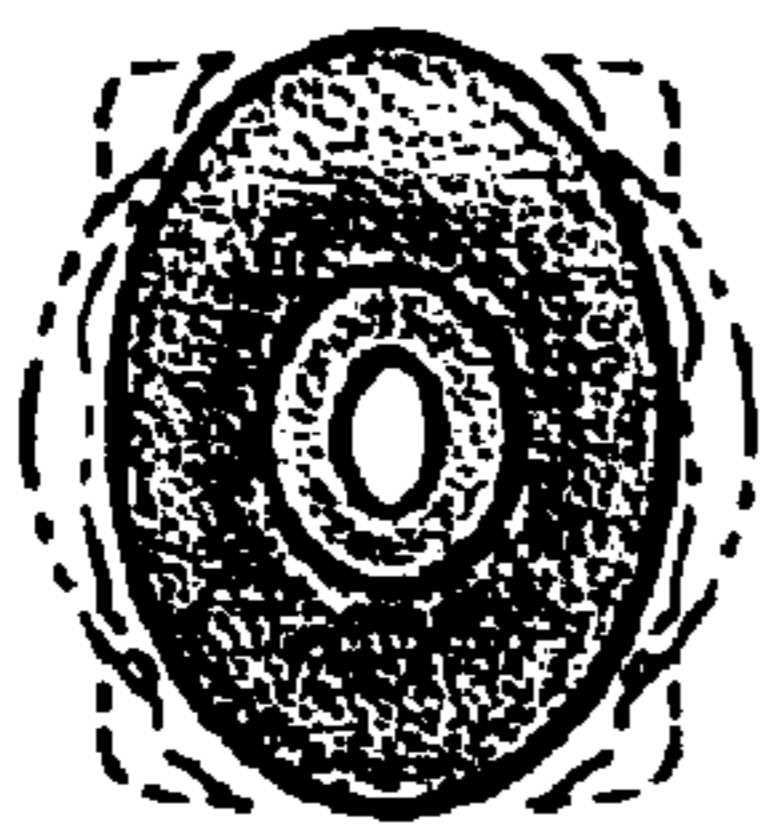


FIG. 6

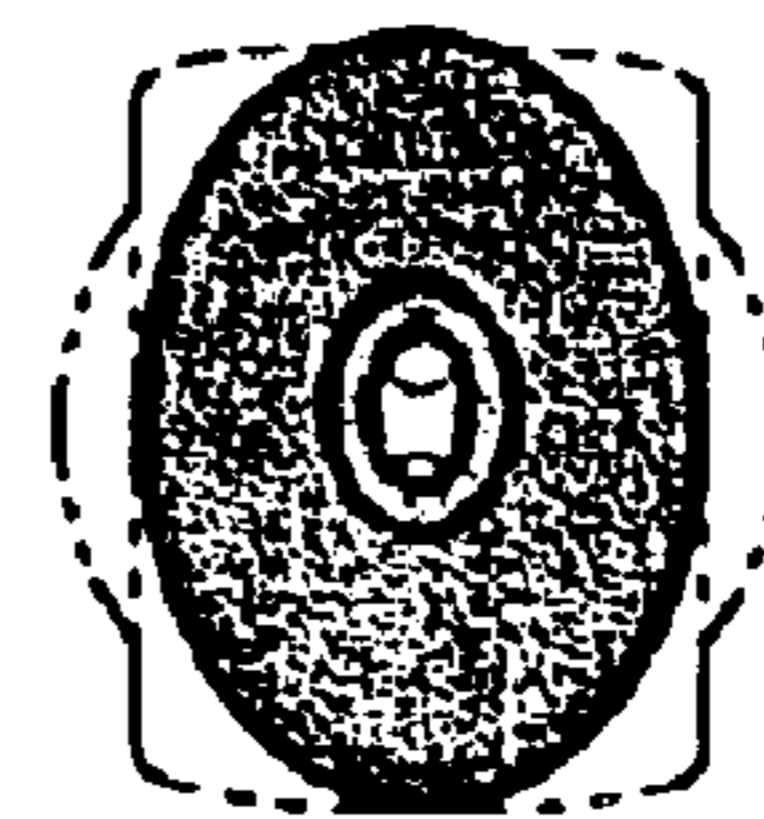


FIG. 7