



US00D516715S

(12) **United States Design Patent**
Guney et al.

(10) **Patent No.:** **US D516,715 S**
(45) **Date of Patent:** **** Mar. 7, 2006**

(54) **PORTION OF A FRAME FOR A MASK**

(75) Inventors: **Memduh Guney**, Killara (AU); **Perry D. Lithgow**, Glenwood (AU); **Timothy Tsun-Fai Fu**, Carlingford (AU); **Jim Saada**, Kellyville (AU)

(73) Assignee: **ResMed Limited**, North Ryde (AU)

(**) **Term:** **14 Years**

(21) Appl. No.: **29/210,138**

(22) Filed: **Jul. 28, 2004**

Related U.S. Application Data

(60) Continuation of application No. 29/194,364, filed on Nov. 24, 2003, now Pat. No. Des. 495,797, which is a division of application No. 29/170,559, filed on Nov. 8, 2002, now Pat. No. Des. 486,907.

(51) **LOC (8) Cl.** **29-02**

(52) **U.S. Cl.** **D24/110.1**

(58) **Field of Classification Search** D24/110.1, D24/110.5, 110.4, 164; 128/205.25, 206.21, 128/206.27, 207.11, 207.12, 207.13
See application file for complete search history.

(56) **References Cited**

U.S. PATENT DOCUMENTS

3,521,630 A	7/1970	Westberg et al.	
5,062,421 A	11/1991	Burns et al.	
D322,318 S	12/1991	Sullivan	
5,224,474 A	7/1993	Bloomfield	
D378,610 S	3/1997	Reischel et al.	
D382,341 S	8/1997	Freund	
5,921,239 A	* 7/1999	McCall et al.	128/205.25

D428,139 S	*	7/2000	Smart	D24/110.4
D443,355 S		6/2001	Gunaratnam et al.		
6,374,826 B1		4/2002	Gunaratnam et al.		
D457,622 S		5/2002	Kopacko et al.		
D459,800 S		7/2002	Smart		
D464,427 S		10/2002	Smart		
D468,421 S		1/2003	Smart		
6,581,594 B1	*	6/2003	Drew et al.	128/207.13
D486,907 S		2/2004	Guney et al.		
D495,797 S		9/2004	Guney et al.		
2003/0034034 A1	*	2/2003	Kwok et al.	128/206.21

* cited by examiner

Primary Examiner—Ian Simmons

(74) *Attorney, Agent, or Firm*—Nixon & Vanderhye P.C.

(57) **CLAIM**

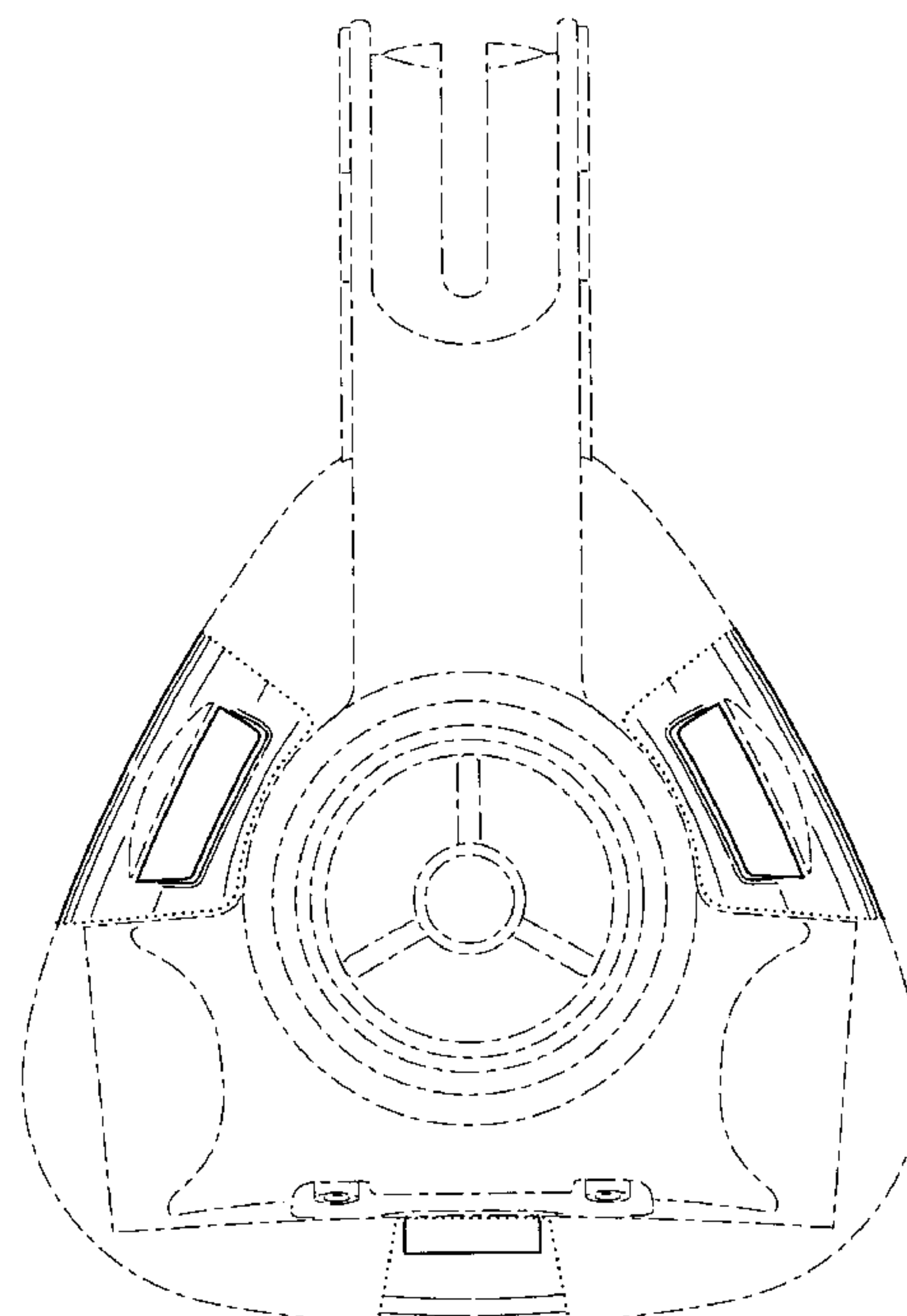
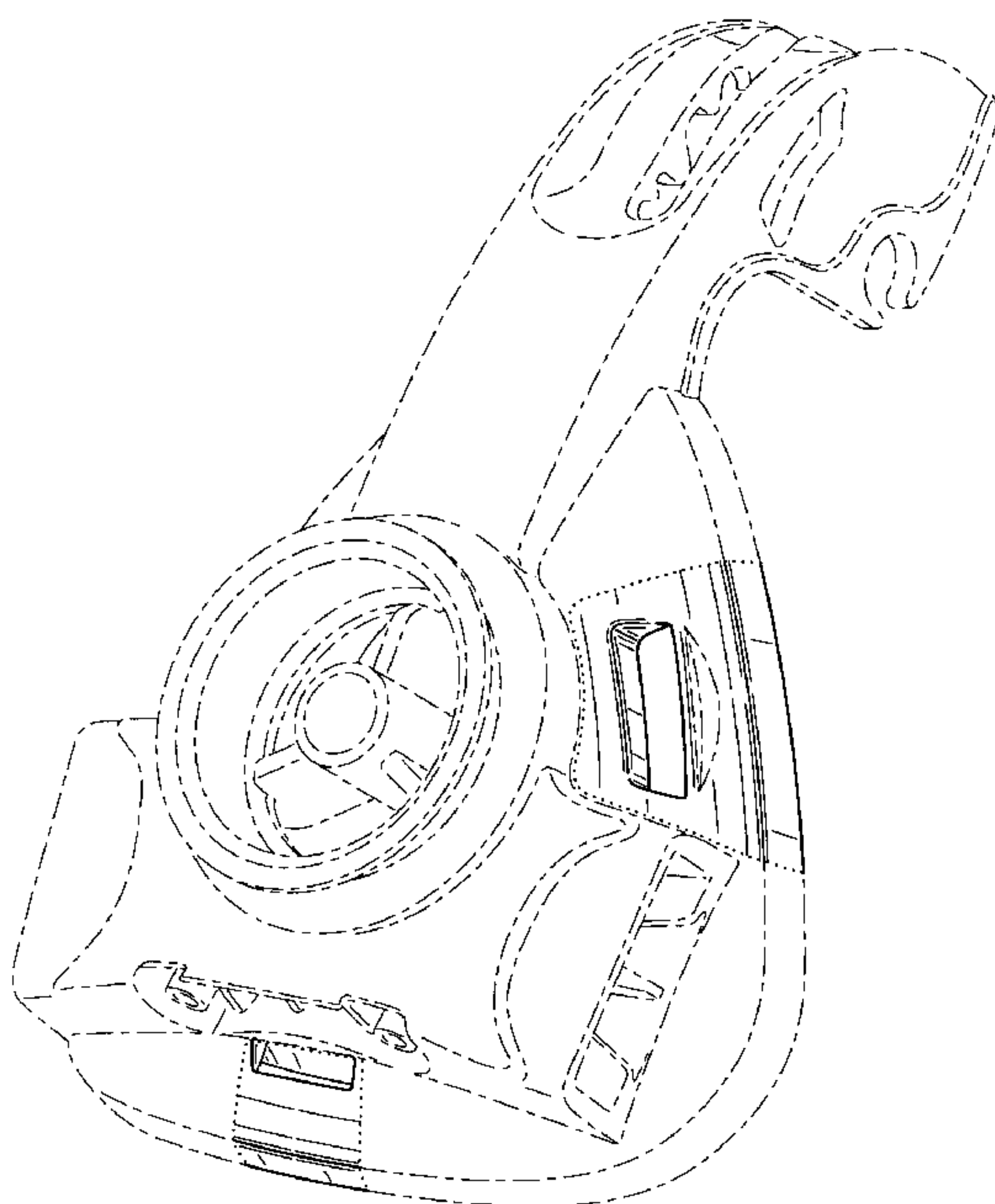
The ornamental design for a portion of a frame for a mask, as shown and described.

DESCRIPTION

FIG. 1 is a front perspective view of a portion of a frame for a mask according to a first embodiment of our design;
FIG. 2 is a front view thereof;
FIG. 3 is a rear view thereof;
FIG. 4 is a top view thereof;
FIG. 5 is a bottom view thereof;
FIG. 6 is a right side view thereof; and,
FIG. 7 is a left side view thereof.

Where included, broken lines showing environment or structure are for illustrative purposes only and form no part of the claimed design. Where included, dotted lines represent the border between claimed and not claimed subject matter and form no part of the claimed design.

1 Claim, 6 Drawing Sheets



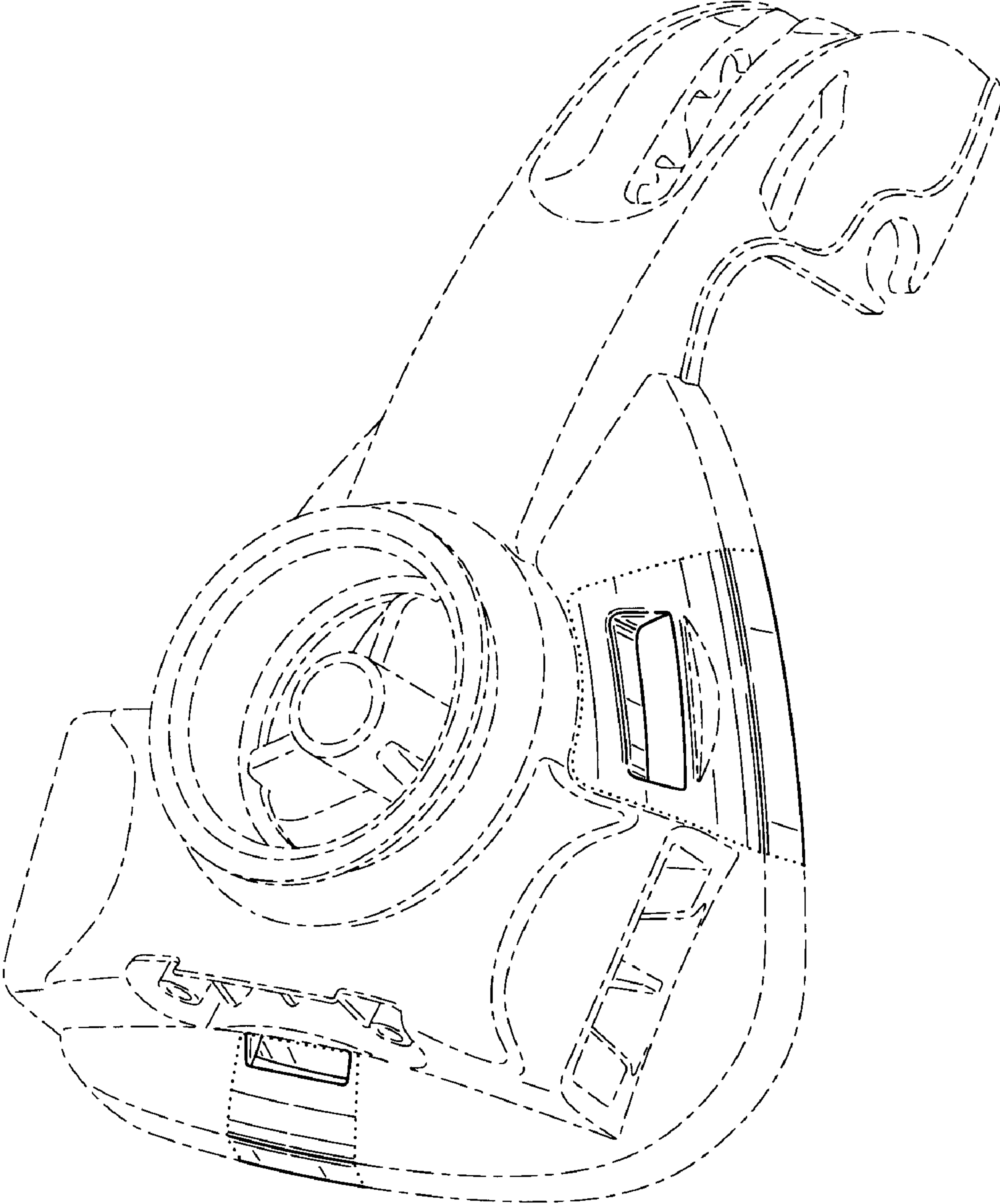


FIG. 1

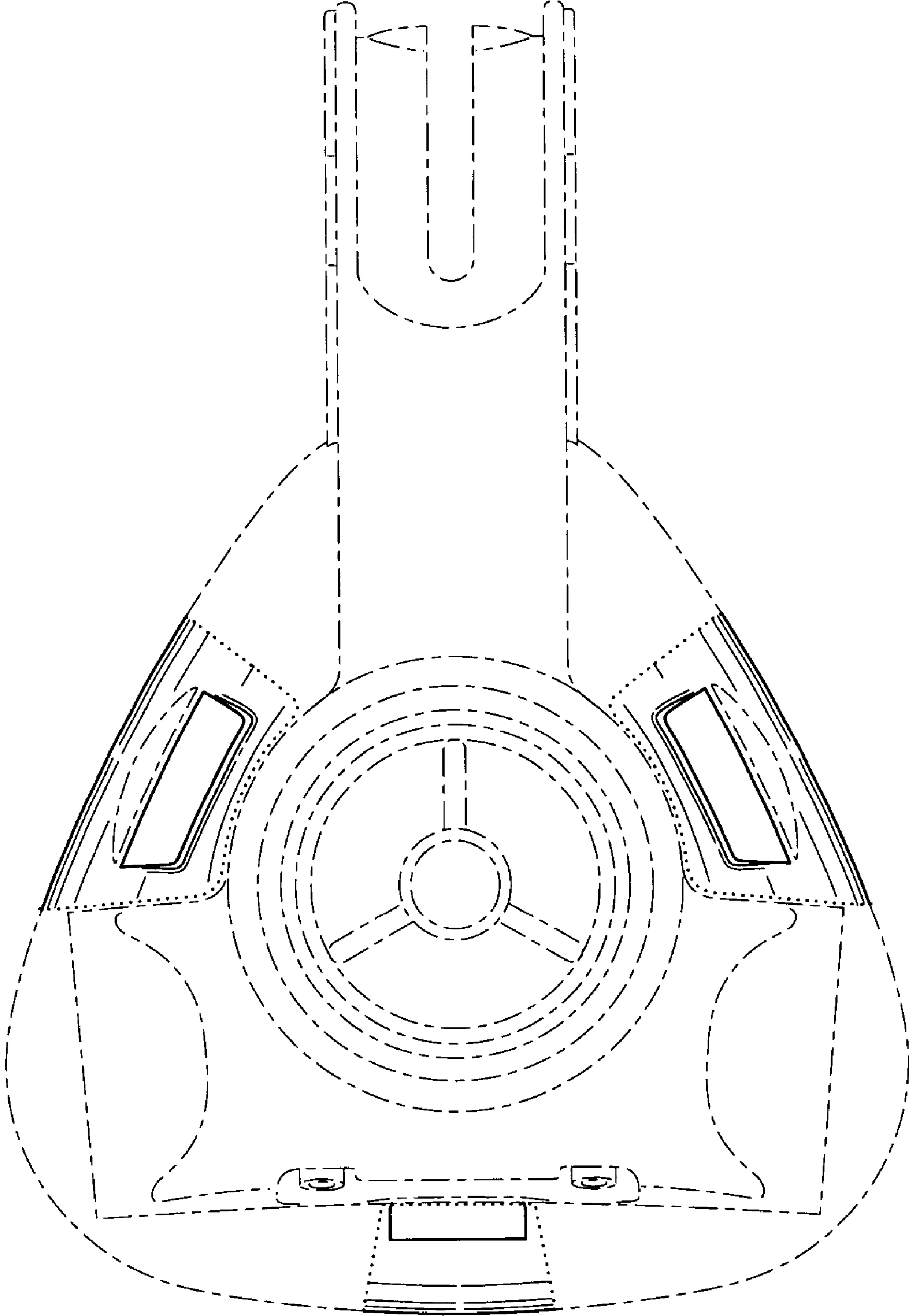


FIG. 2

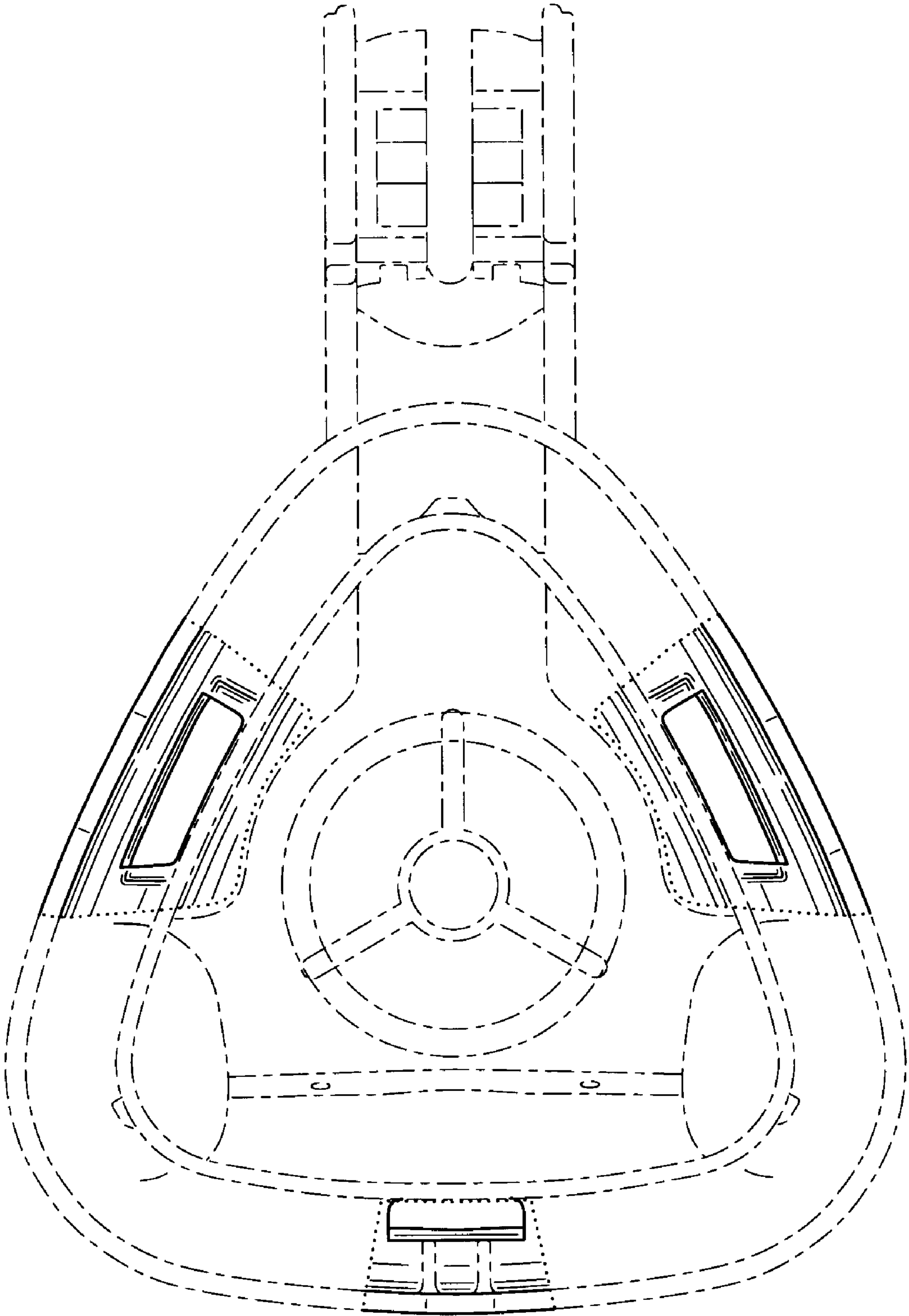


FIG. 3

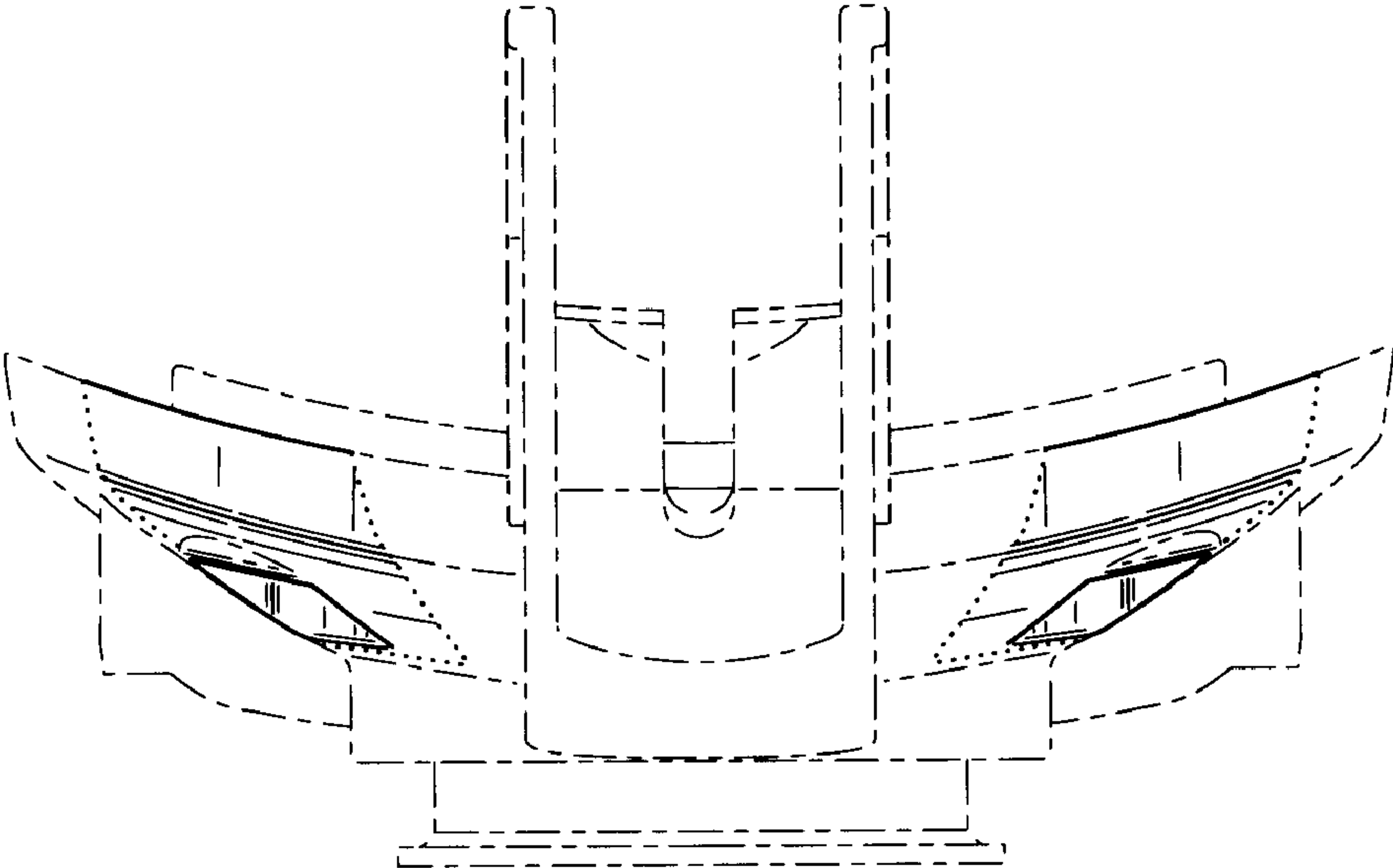


FIG. 4

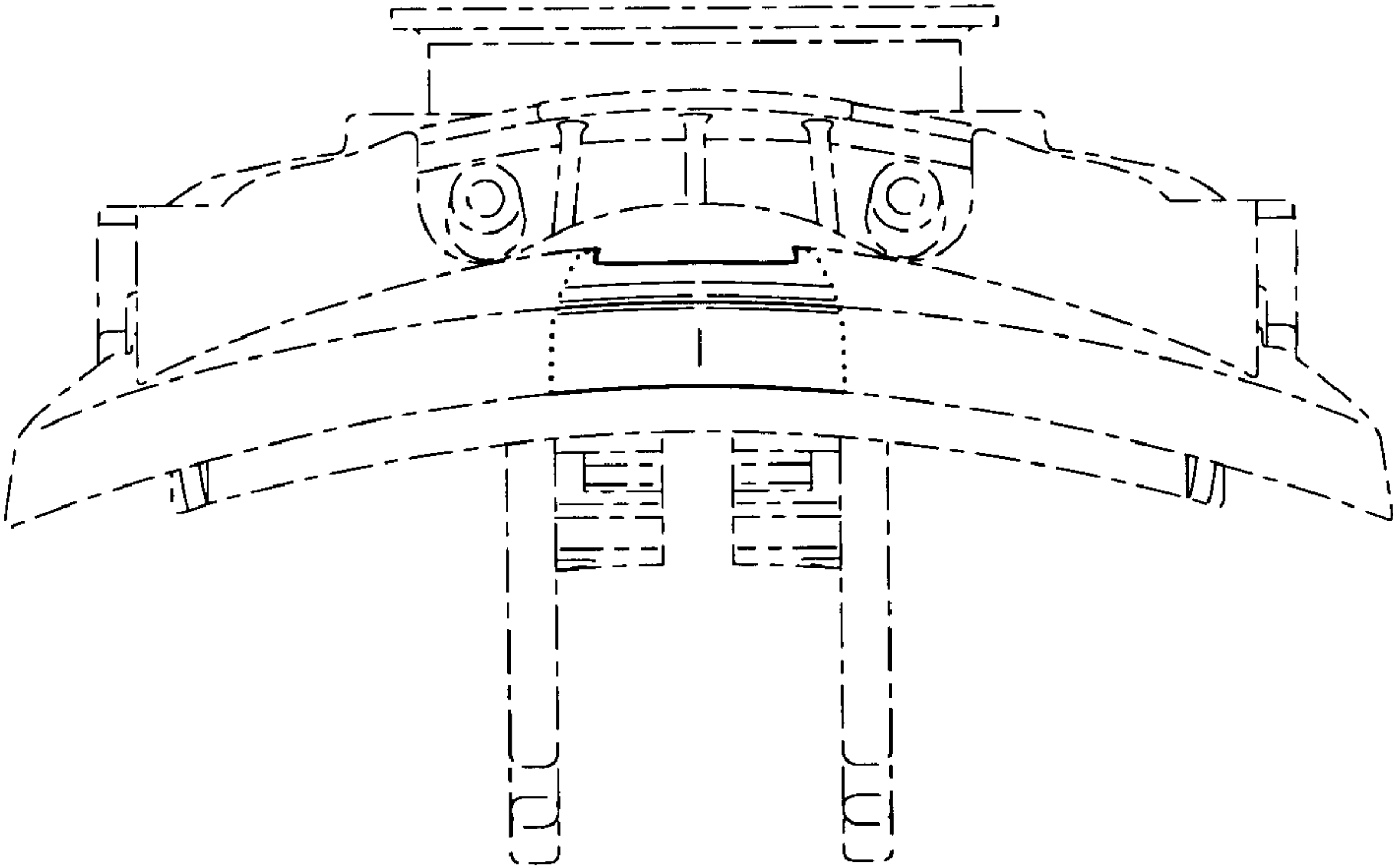


FIG. 5

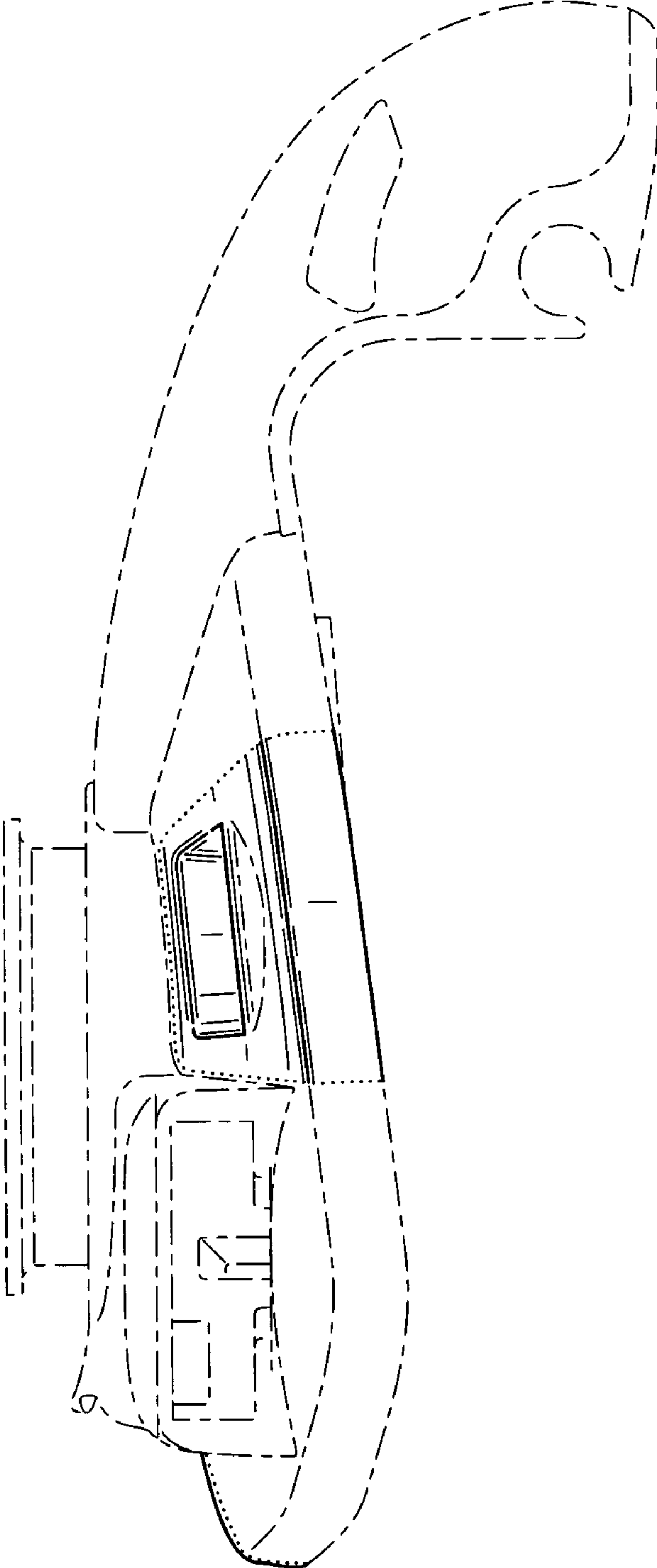


FIG. 6

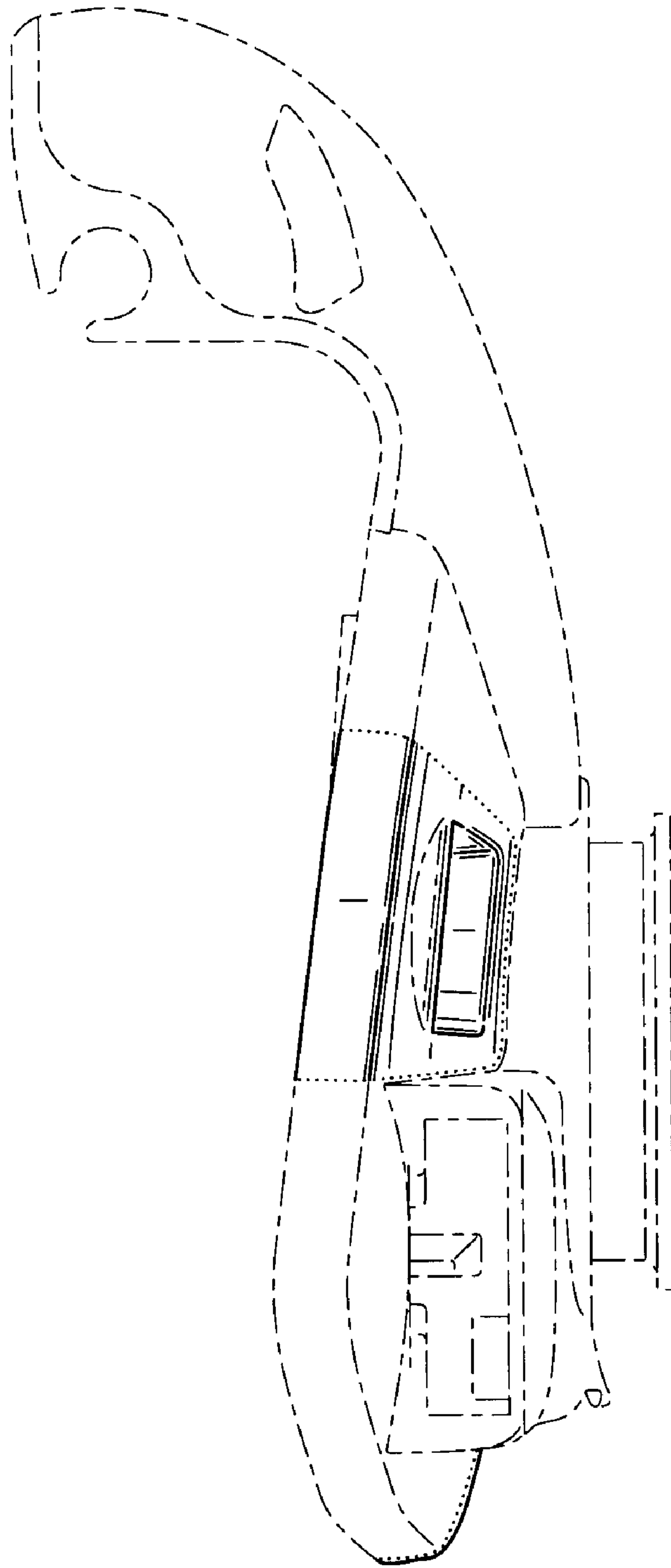


FIG. 7