



US00D516714S

(12) **United States Design Patent** (10) **Patent No.:** **US D516,714 S**
McAllister et al. (45) **Date of Patent:** **** Mar. 7, 2006**

(54) **CAPSULE LINK**
(75) Inventors: **Stephen Mark McAllister**, Harlow (GB); **Brian Hewitt**, Hertfordshire (GB)
(73) Assignee: **SmithKline Beechan p.l.c.**, Brentford (GB)
(**) Term: **14 Years**
(21) Appl. No.: **29/171,611**
(22) Filed: **Nov. 26, 2002**

D218,368 S 8/1970 Johnson
D225,627 S 12/1972 Gomel et al.
D258,091 S 1/1981 Reed et al.
D258,762 S 3/1981 Corrigan et al.
D285,490 S 9/1986 Tovey
4,735,805 A 4/1988 Ni et al.
D301,763 S 6/1989 Rhoa et al.
D309,035 S 7/1990 Ni et al.
5,002,775 A 3/1991 Toya et al.
5,256,440 A 10/1993 Appel et al.
5,284,659 A 2/1994 Cherukuri et al.
5,342,627 A 8/1994 Chopra et al.
D359,554 S 6/1995 Dansereau et al.
D377,085 S 12/1996 Tortarolo
D377,086 S 12/1996 Tortarolo
D396,537 S 8/1998 Stanton
D400,685 S 11/1998 Stanton
5,853,760 A 12/1998 Cremer
D419,261 S 1/2000 Binstock et al.
D420,464 S 2/2000 Binstock et al.
6,063,404 A 5/2000 Timpe et al.
6,083,533 A 7/2000 Cremer
6,086,919 A 7/2000 Bauer et al.
D430,932 S 9/2000 Vickery et al.
D434,137 S 11/2000 Davis
D442,334 S 5/2001 Friesenhahn
D444,614 S 7/2001 Wolff
6,264,985 B1 7/2001 Cremer
D446,347 S 8/2001 Beaujean
D447,835 S 9/2001 Whitaker et al.
6,365,183 B1 4/2002 Edgren et al.

Related U.S. Application Data

(60) Division of application No. 29/164,732, filed on Jul. 29, 2002, now Pat. No. Des. 481,456, which is a continuation of application No. 29/162,299, filed on Jun. 13, 2002, now abandoned, which is a continuation-in-part of application No. 29/154,888, filed on Jan. 30, 2002, now abandoned.
(51) **LOC (8) Cl.** **24-01**
(52) **U.S. Cl.** **D24/104**
(58) **Field of Classification Search** D24/101-104; 424/440, 441, 10.2, 10.3, 464, 467-470, 424/472, 474, 408, 450-457
See application file for complete search history.

(56) **References Cited**

U.S. PATENT DOCUMENTS

109,667 A 11/1870 Seitz
787,887 A 4/1905 Baker
1,243,501 A 10/1917 Fraser
D53,657 S 7/1919 Hollywood
D54,074 S 11/1919 Fritz
D54,390 S 2/1920 De Mott
1,393,253 A 10/1921 Thompson
D88,675 S 12/1932 Schoenleber
1,915,392 A 6/1933 Thomson
D187,372 S 3/1960 Dailey
3,048,526 A 8/1962 Boswell
3,113,076 A 12/1963 Jacobs
3,125,490 A 3/1964 Hershberg
3,146,169 A 8/1964 Stephenson
D202,392 S 9/1965 Horne
3,279,995 A 10/1966 Reid

Primary Examiner—Antoine D. Davis

(74) *Attorney, Agent, or Firm*—Dara L. Dinner; Stephen Venetianer; Charles M. Kinzig

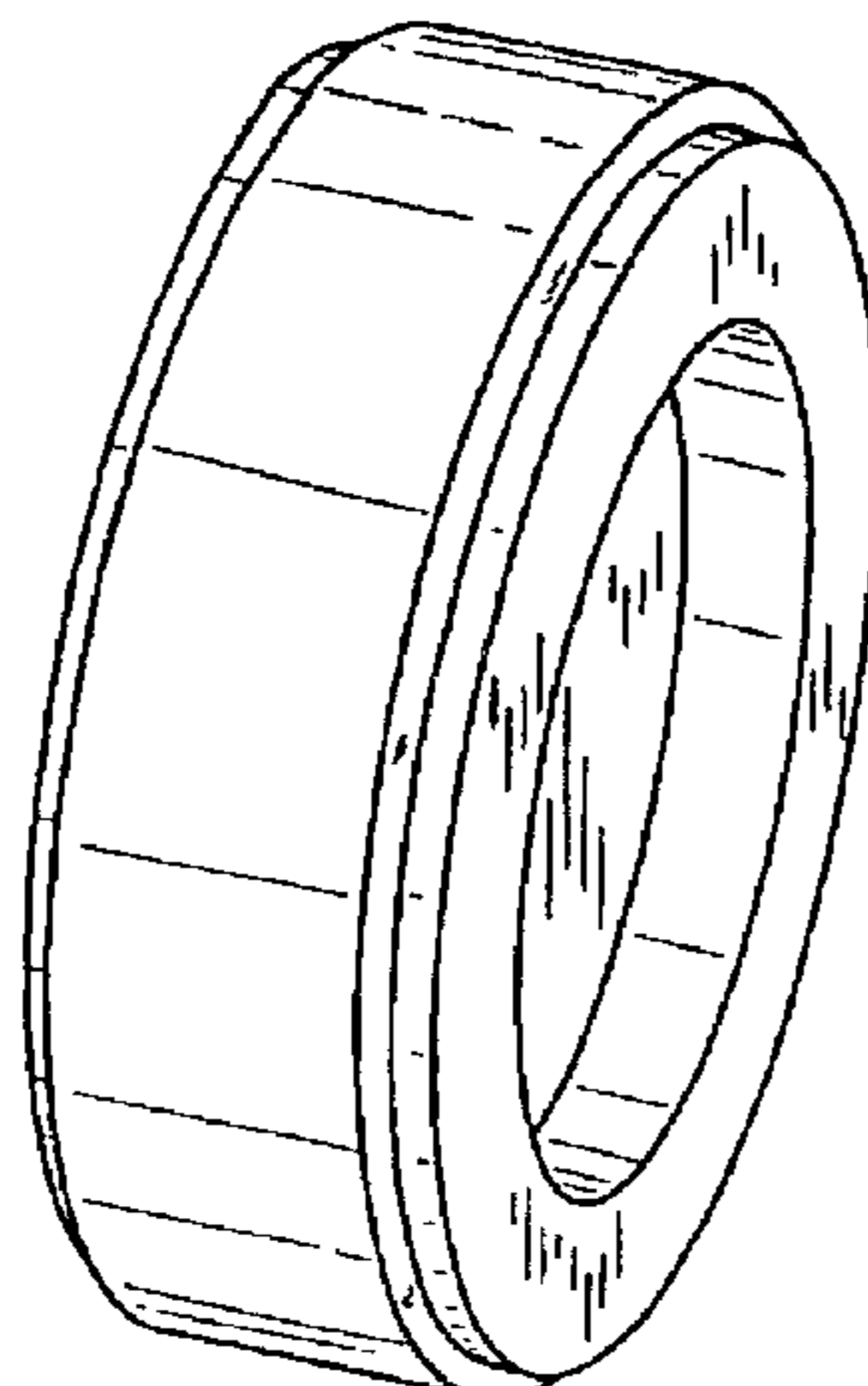
(57) **CLAIM**

The ornamental design for a capsule link, as shown and described.

DESCRIPTION

FIG. 1 is a right, front perspective view of a capsule link, showing my new design;
FIG. 2 is a front side view thereof, the back view being the same; and,
FIG. 3 is a top view thereof, the bottom, right, and left side views being the same.

1 Claim, 1 Drawing Sheet



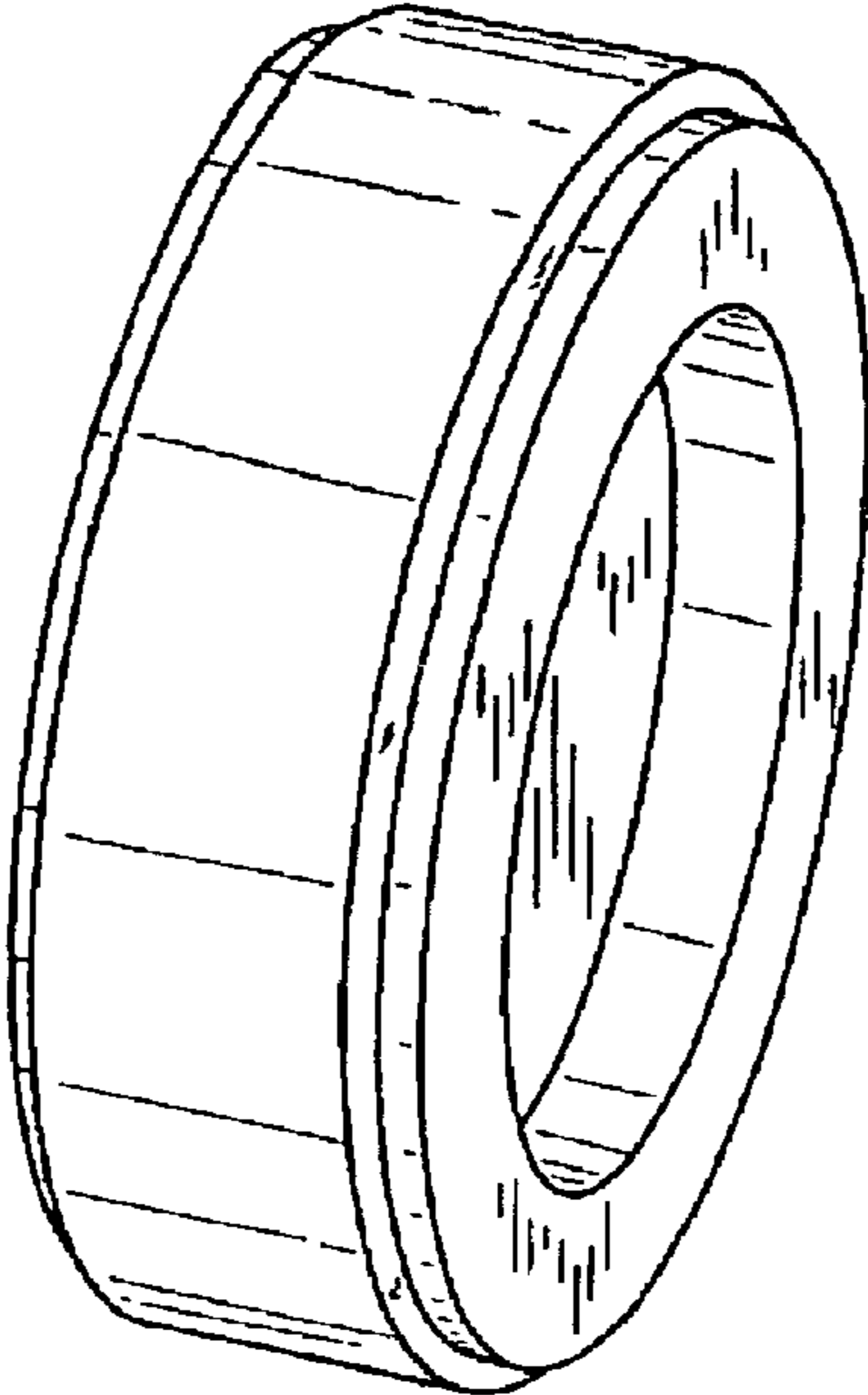


FIG. 1

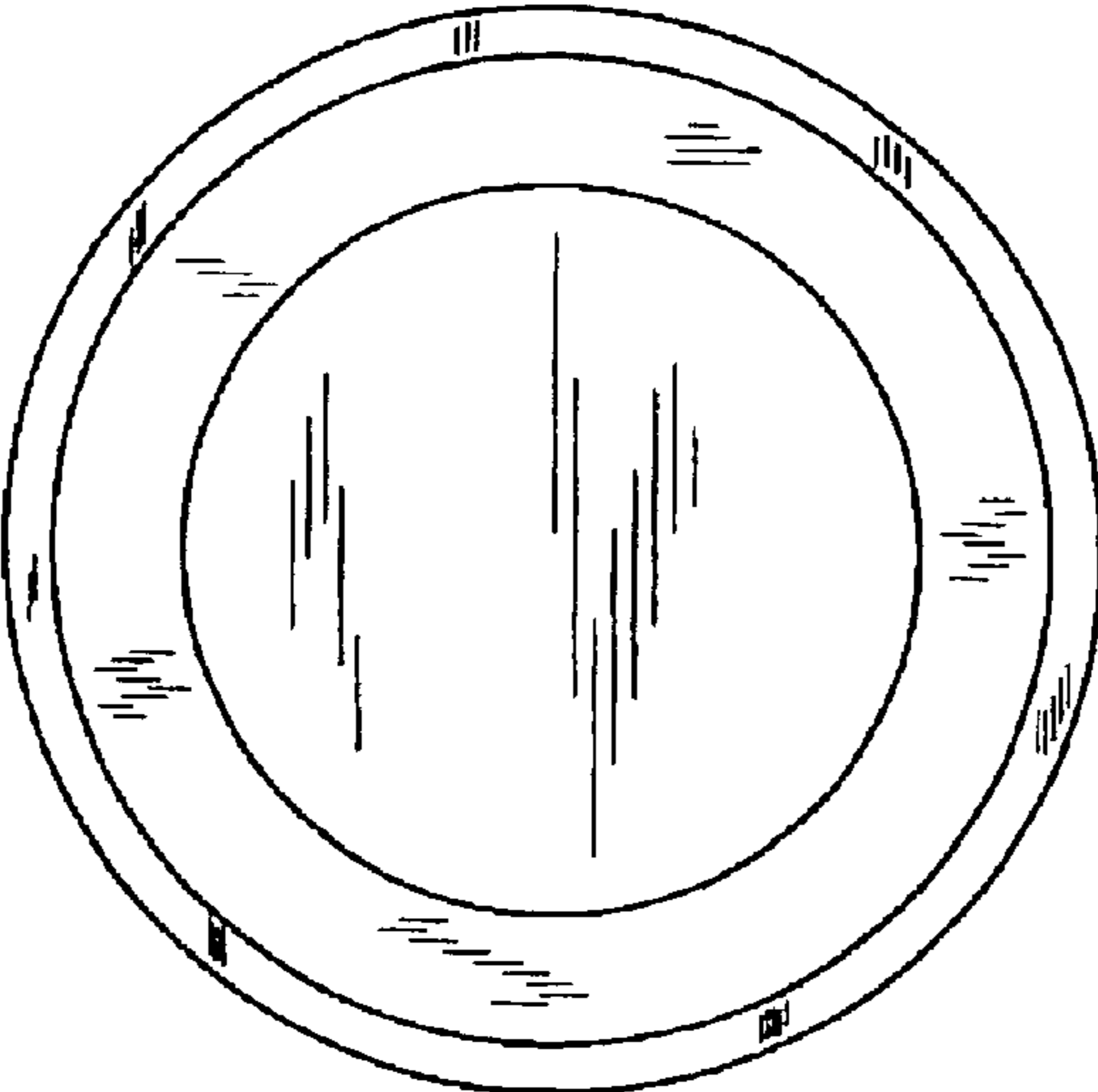


FIG. 2

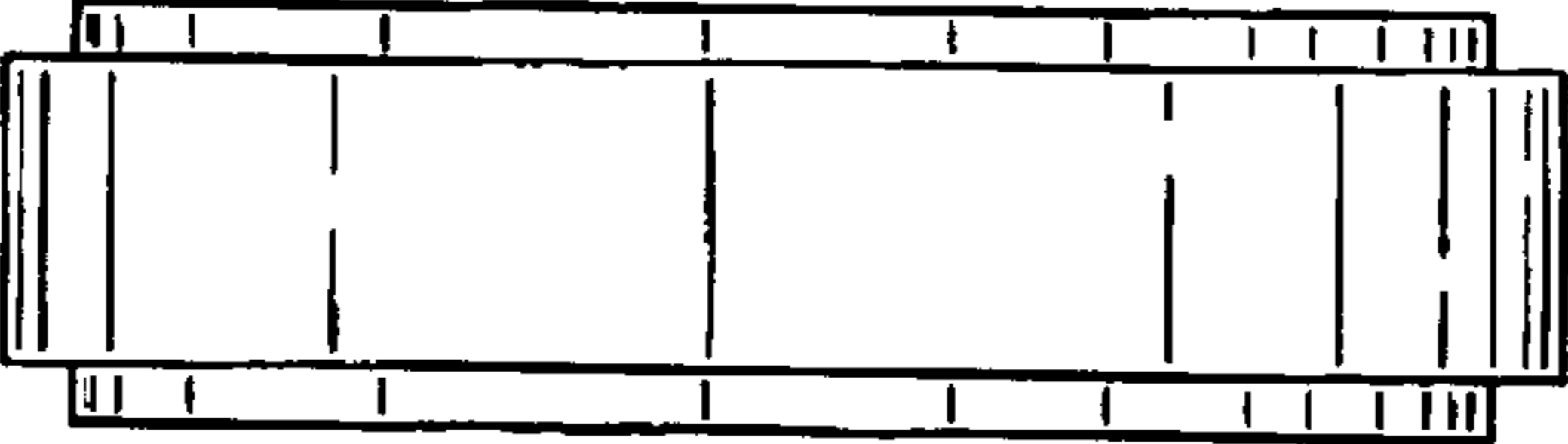


FIG. 3