



US00D516710S

(12) **United States Design Patent**  
**Frampton et al.**

(10) **Patent No.:** **US D516,710 S**  
(45) **Date of Patent:** **\*\* Mar. 7, 2006**

(54) **FAN BLADE**

(75) Inventors: **Thomas C. Frampton**, Zionsville, IN (US); **Tania N. Frampton**, Zionsville, IN (US)

(73) Assignee: **Fanimation, Inc.**, Zionsville, IN (US)

(\*\*) Term: **14 Years**

(21) Appl. No.: **29/220,898**

(22) Filed: **Jan. 7, 2005**

(51) **LOC (8) Cl.** ..... **23-04**

(52) **U.S. Cl.** ..... **D23/413**

(58) **Field of Classification Search** ..... D23/413,  
D23/377, 379, 385, 411; 416/5  
See application file for complete search history.

(56) **References Cited**

**U.S. PATENT DOCUMENTS**

D485,350 S \* 1/2004 Frampton ..... D23/413

**OTHER PUBLICATIONS**

2002 Fanimation, Inc. Catalog, Published at least as earlier as 2002, forty (40) pages.

\* cited by examiner

*Primary Examiner*—Lisa Lichtenstein

(74) *Attorney, Agent, or Firm*—Maginot, Moore & Beck

(57) **CLAIM**

The ornamental design for a fan blade, as shown and described.

**DESCRIPTION**

FIG. 1 is a bottom perspective view of a fan blade showing our new design in use;

FIG. 2 is an enlarged bottom plan view showing the design for the fan blade of FIG. 1;

FIG. 3 is an enlarged plan view showing the design for the fan blade of FIG. 1;

FIG. 4 is an enlarged left side elevational view showing the design for the fan blade of FIG. 1;

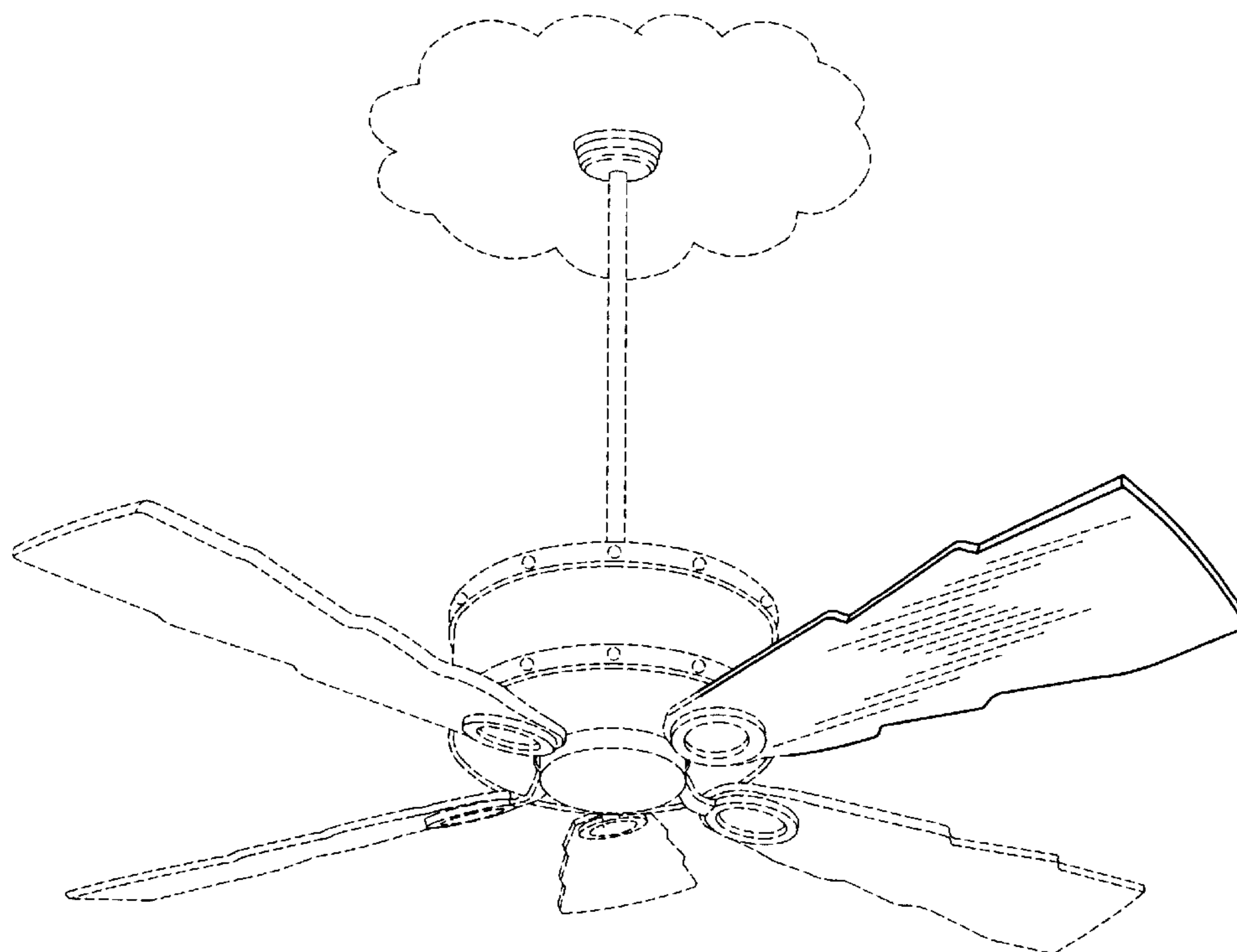
FIG. 5 is an enlarged right side elevational view showing the design for the fan blade of FIG. 1;

FIG. 6 is an enlarged rear elevational view showing the design for the fan blade of FIG. 1; and,

FIG. 7 is an enlarged front elevational view showing the design for the fan blade of FIG. 1.

In FIGS. 1–7, the broken line showing of various items including (i) the motor housing (FIG. 1), (ii) the central vertical support member extending upward from the motor housing (FIG. 1), (iii) a portion of the ceiling to which the central vertical support member is attached (FIG. 1), (iv) the cover plate positioned below the motor housing (FIG. 1), (v) the other four fan blades that extend outwardly from the motor housing (FIG. 1), (vi) a proximal end portion of the fan blade (FIGS. 1–7), and (vii) the surface characteristics of the fan blade indicated by the shading line thereon (FIGS. 1–3) is for illustrative purposes only and forms no part of the claimed design.

**1 Claim, 5 Drawing Sheets**



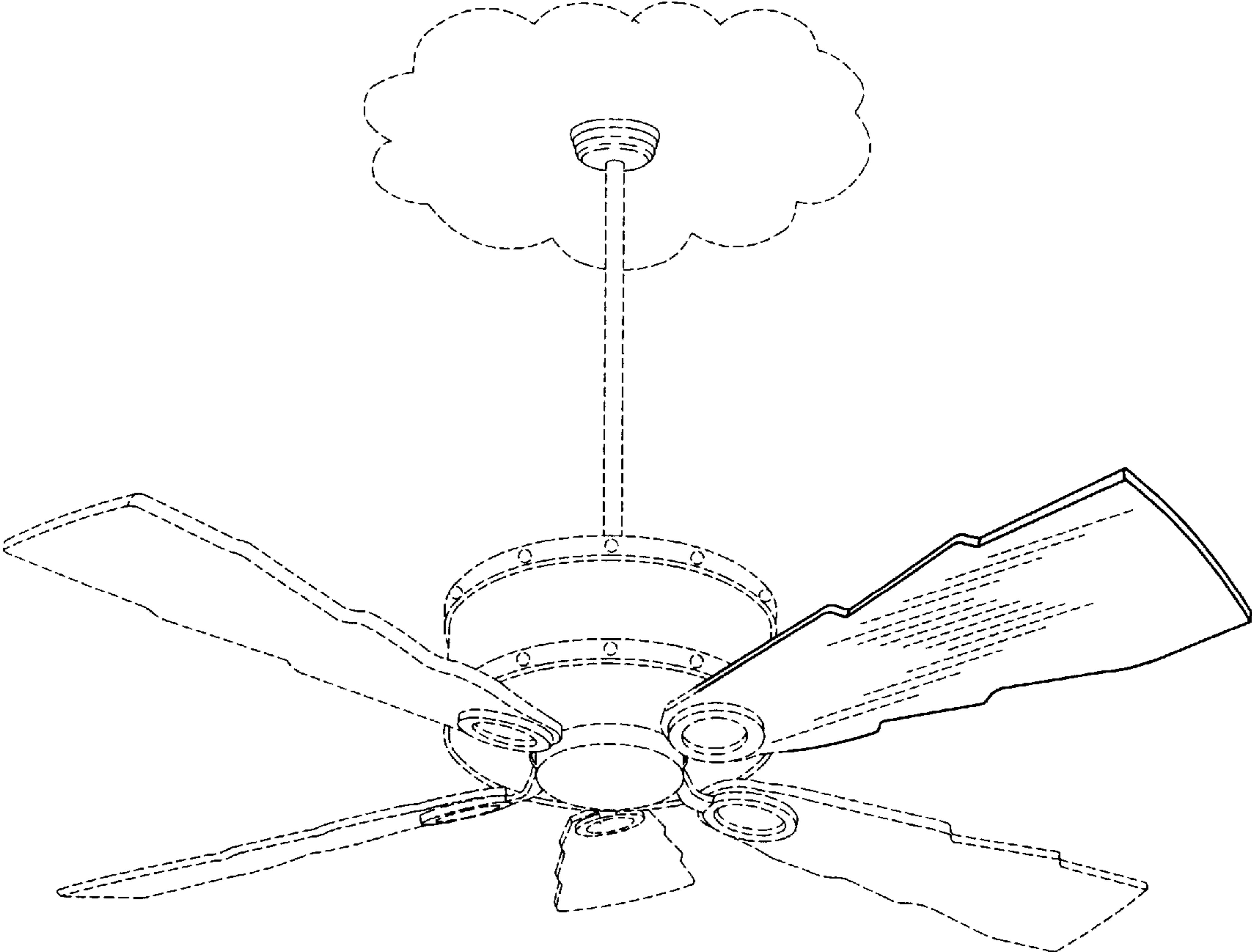


Fig. 1

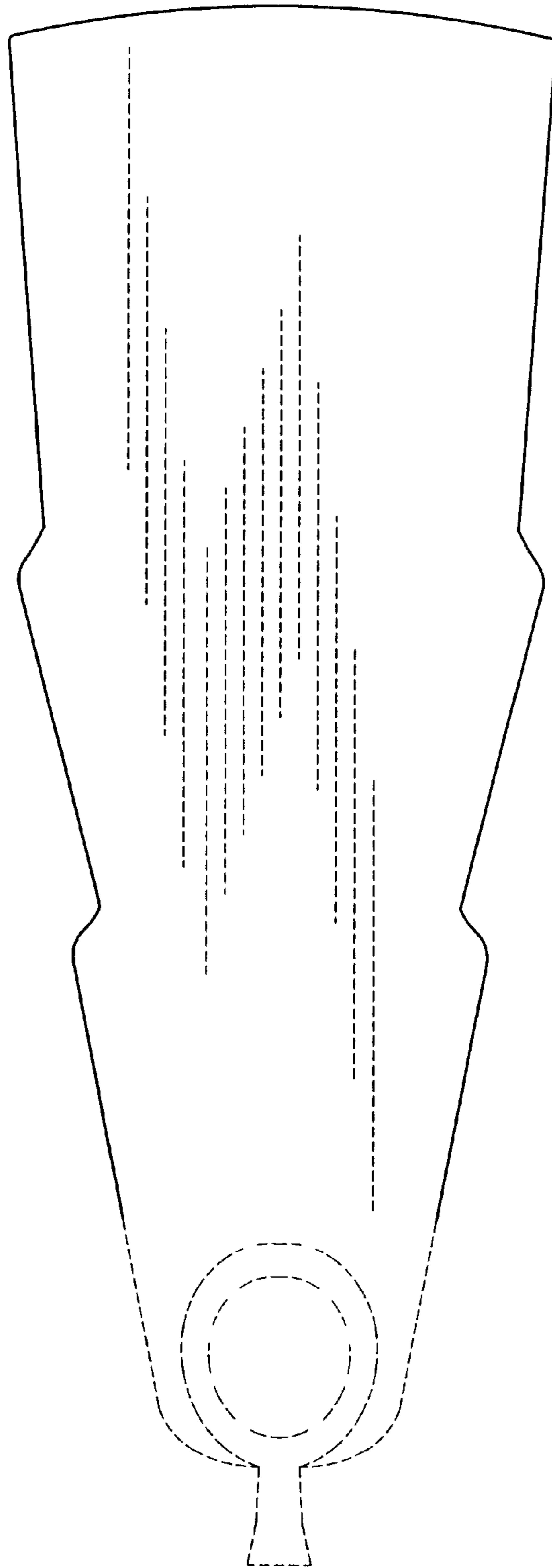


Fig. 2

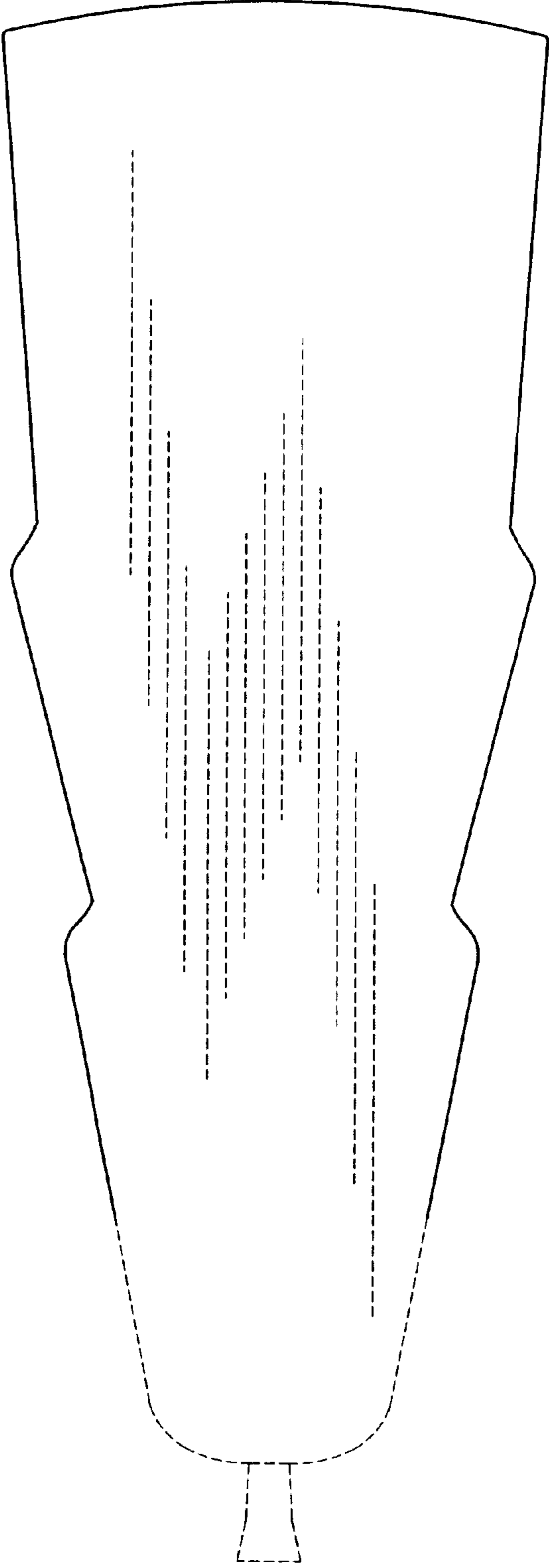


Fig. 3



Fig. 4



Fig. 5

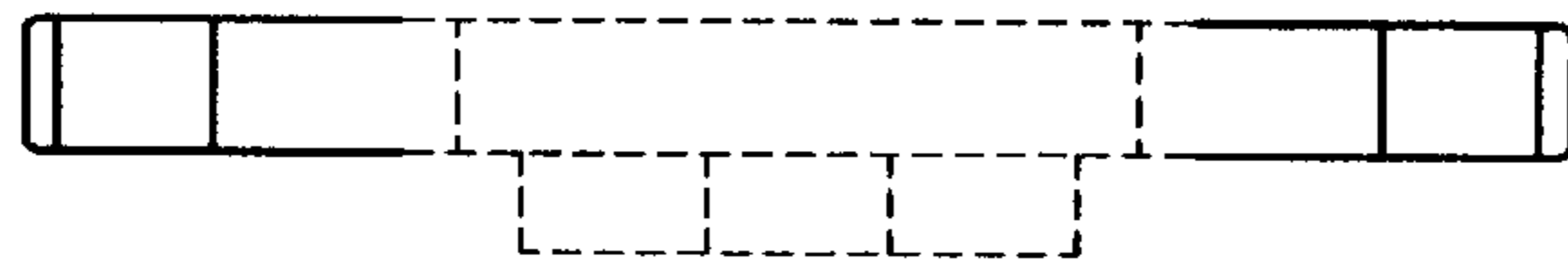


Fig. 6

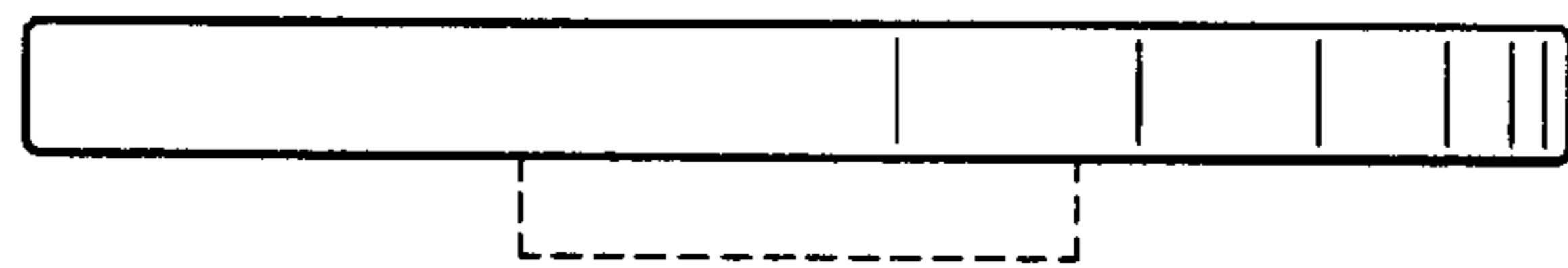


Fig. 7