



US00D516704S

(12) **United States Design Patent**
Pickett

(10) **Patent No.:** **US D516,704 S**
(45) **Date of Patent:** **** Mar. 7, 2006**

(54) **COMBINED CEILING FAN HOUSING AND LIGHT KIT**

D408,074 S * 4/1999 Tai D23/377

* cited by examiner

(76) Inventor: **Mark Pickett**, 1419 E. Palm St.,
Altadena, CA (US) 91001

Primary Examiner—Lisa Lichtenstein
(74) *Attorney, Agent, or Firm*—Parson & Goltry; Michael
W. Goltry; Robert A. Parsons

(**) Term: **14 Years**

(57) **CLAIM**

(21) Appl. No.: **29/227,012**

The ornamental design for a combined ceiling fan housing
and light kit, as shown and described.

(22) Filed: **Apr. 5, 2005**

(51) **LOC (8) Cl.** **23-04**

DESCRIPTION

(52) **U.S. Cl.** **D23/411**

(58) **Field of Classification Search** D23/377,
D23/379, 385, 411; 416/5; D26/59, 51, 72,
D26/81-88; 362/96

FIG. 1 is a bottom perspective view of a combined ceiling
fan housing and light kit showing my new design;
FIG. 2 is a front elevational view thereof, the rear elevational
view, the left side elevational view, and the right side
elevational view being substantially the same thereof;
FIG. 3 is a bottom plan view thereof;
FIG. 4 is a top plan view thereof; and,
FIG. 5 is a top perspective view thereof.

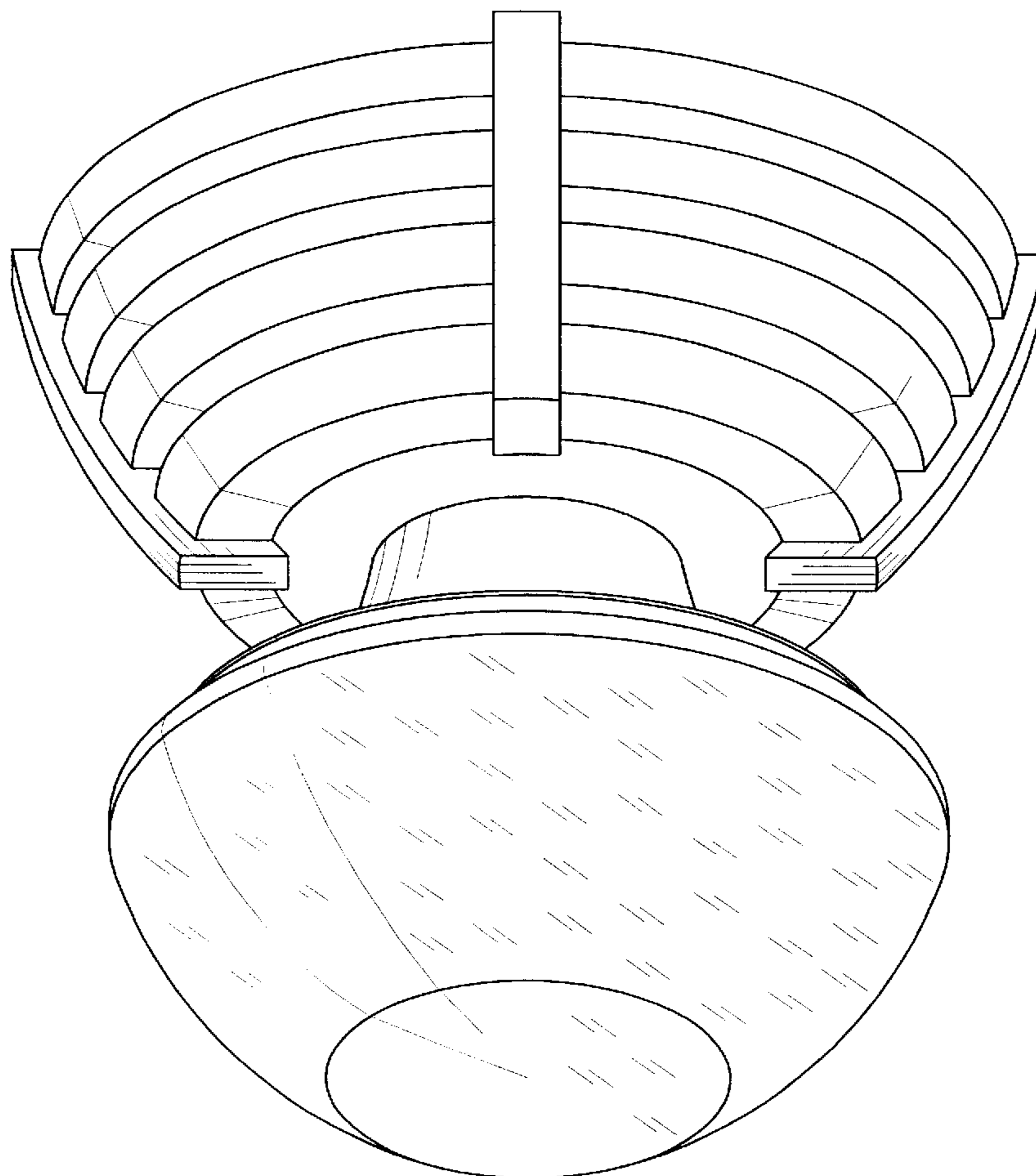
See application file for complete search history.

(56) **References Cited**

U.S. PATENT DOCUMENTS

D139,444 S * 11/1944 Lippincott D26/88
D399,947 S * 10/1998 Kennedy D23/377

1 Claim, 5 Drawing Sheets



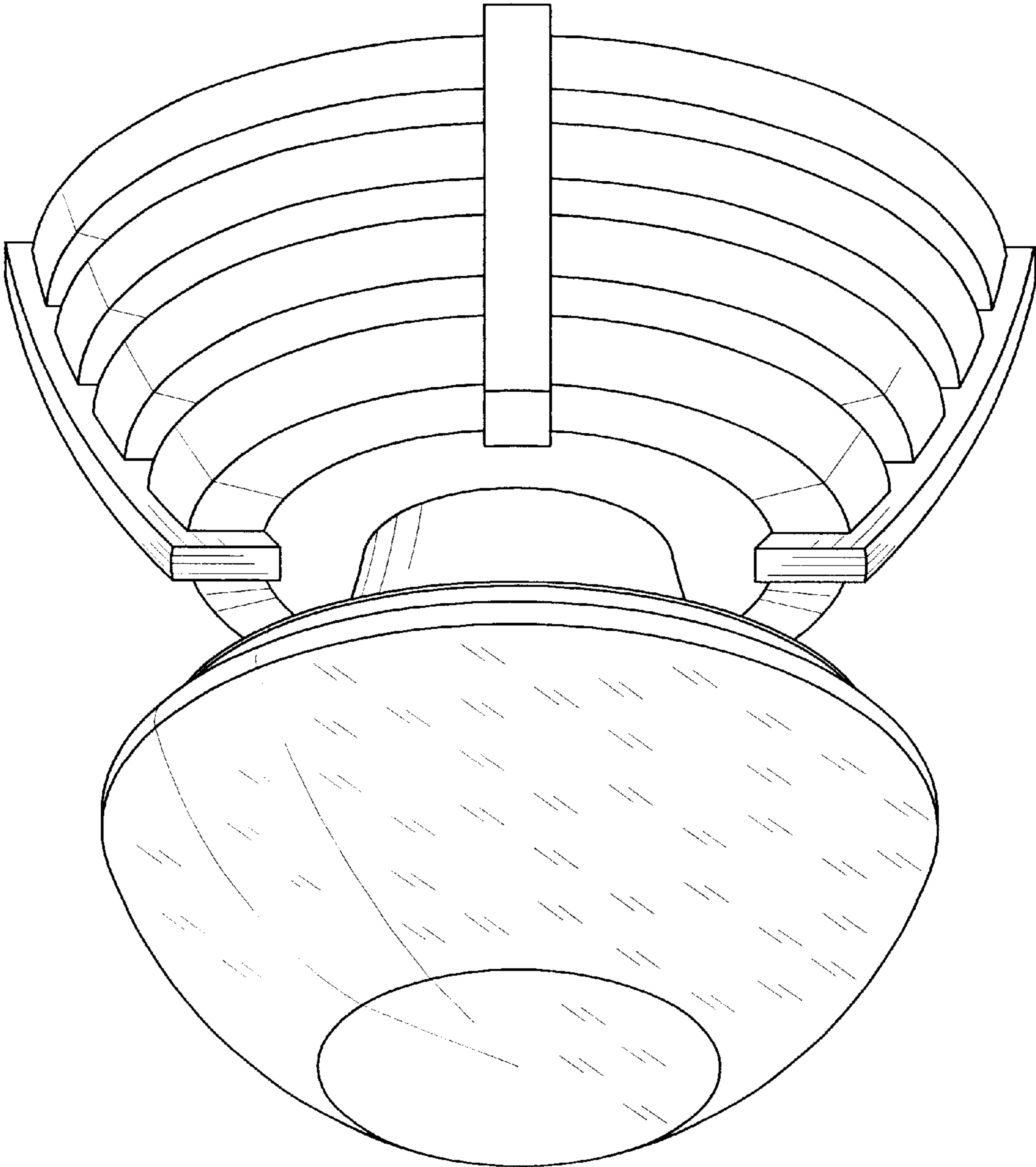


FIG. 1

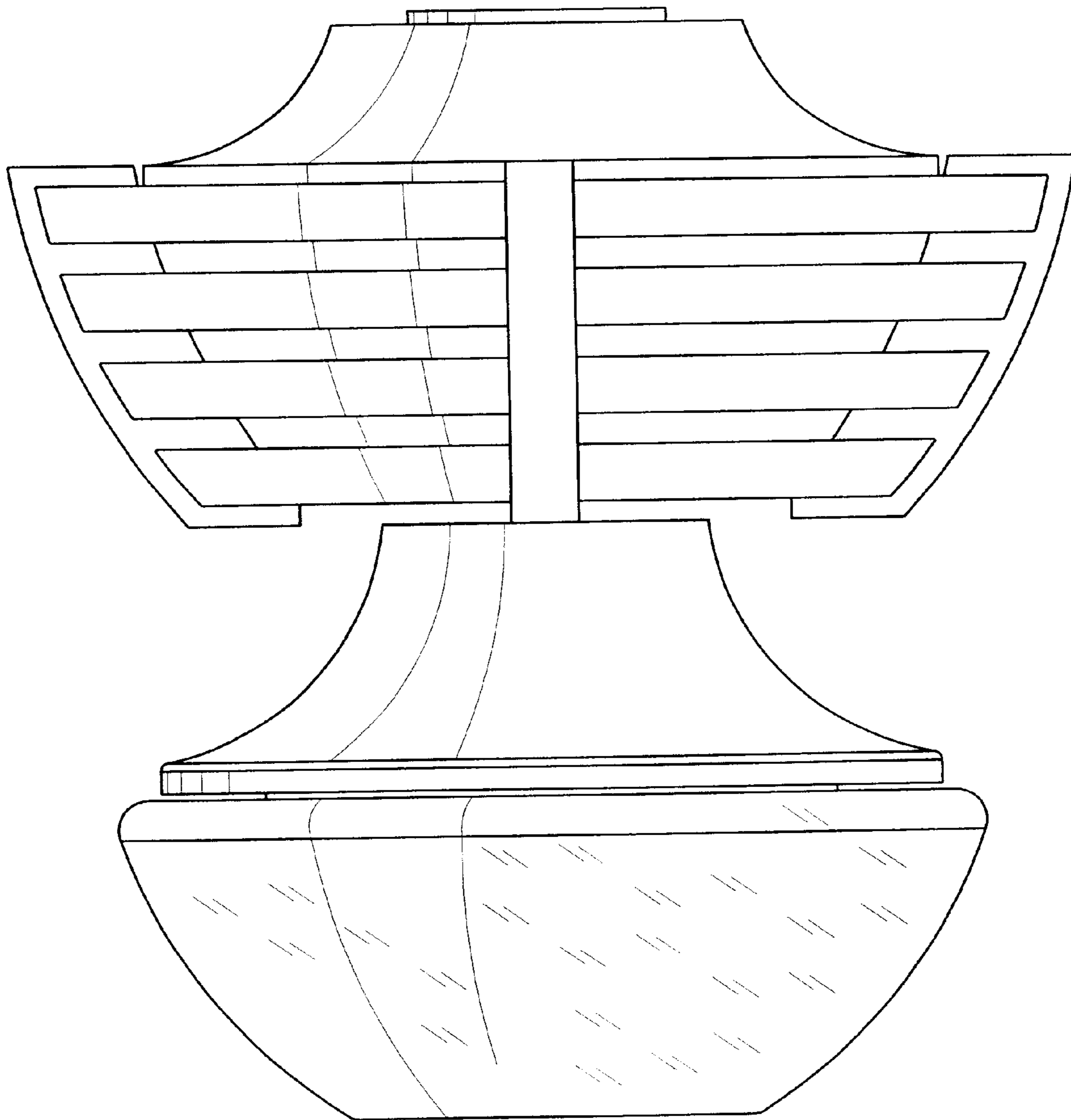


FIG. 2

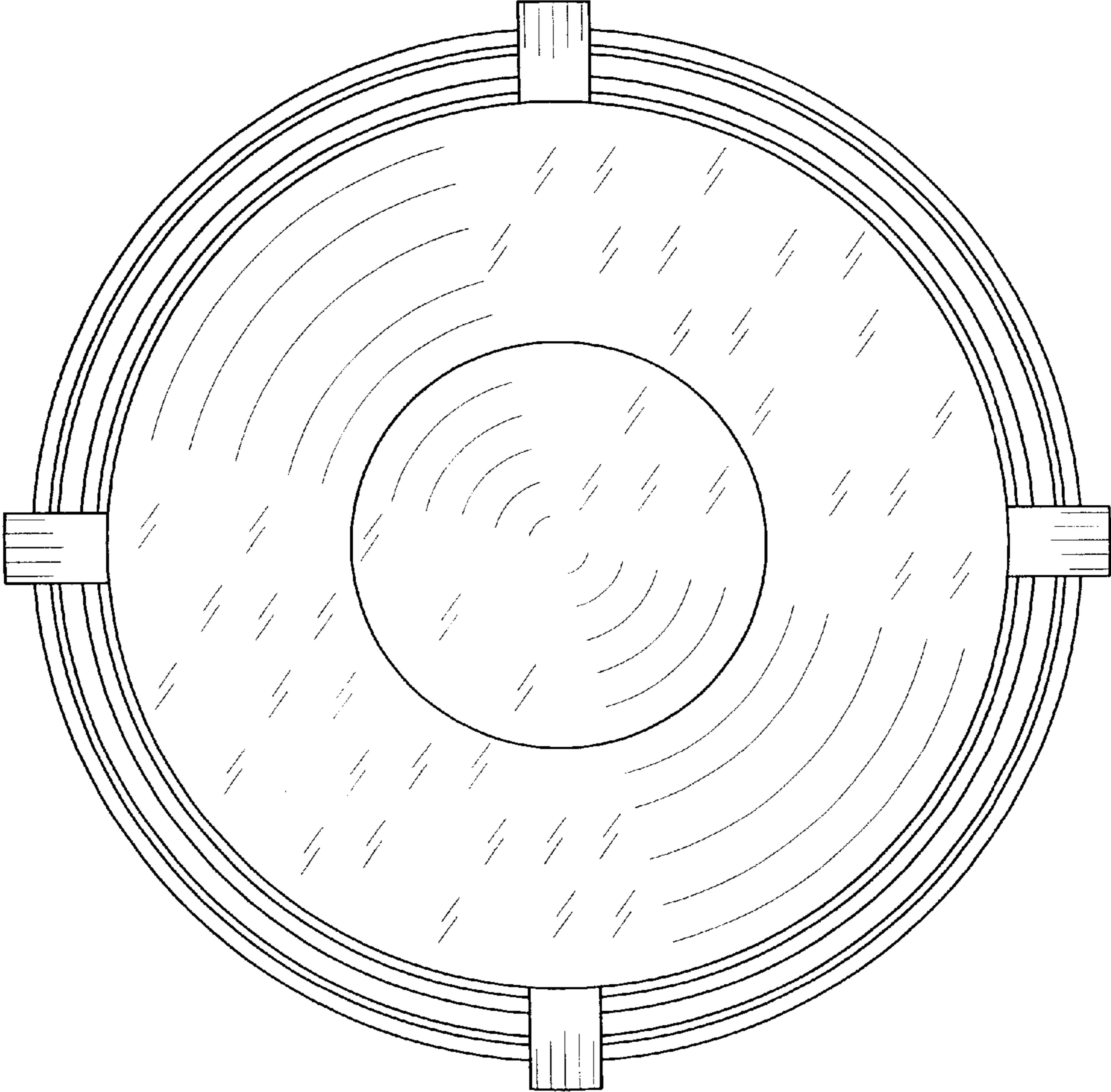


FIG. 3

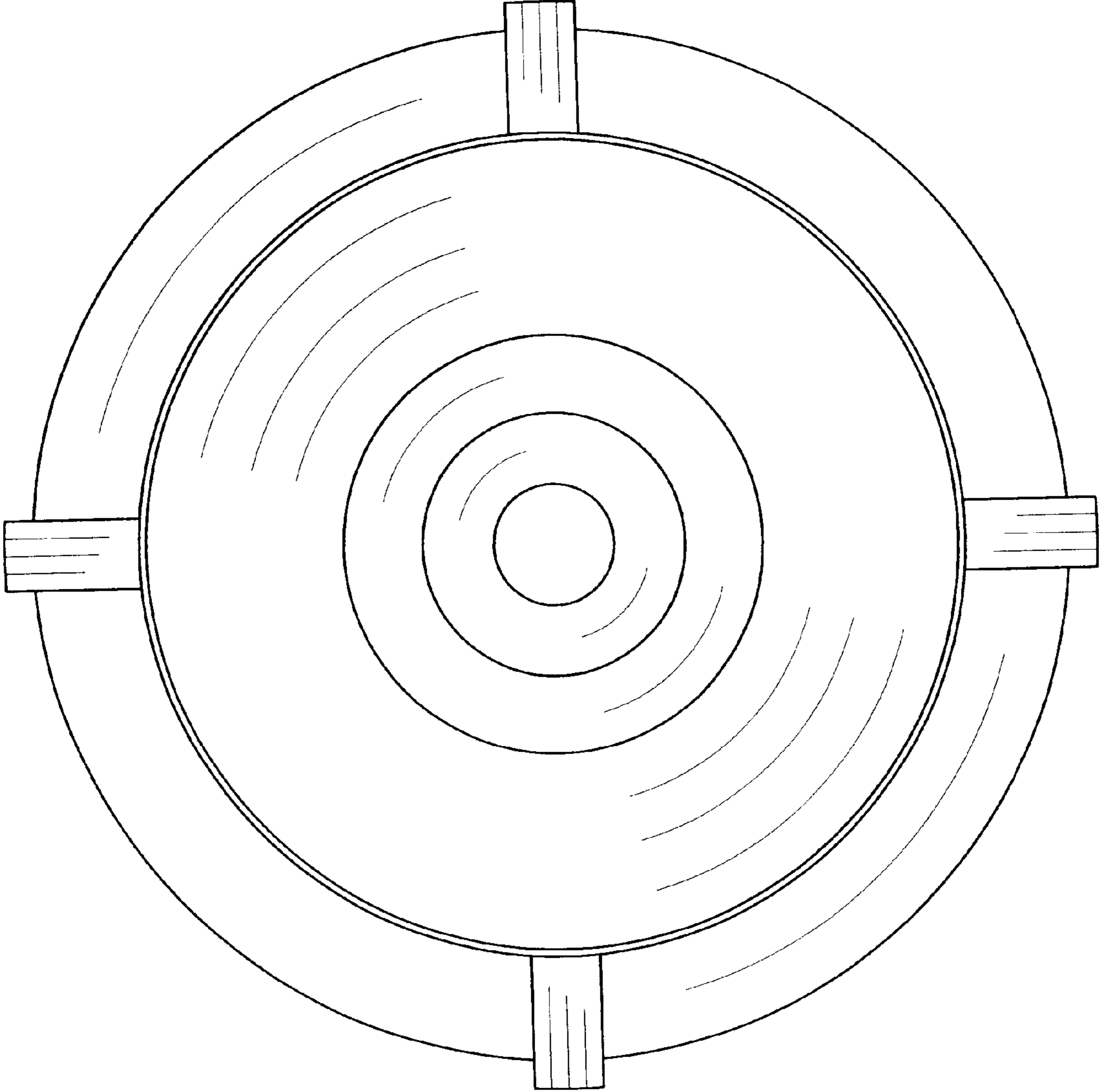


FIG. 4

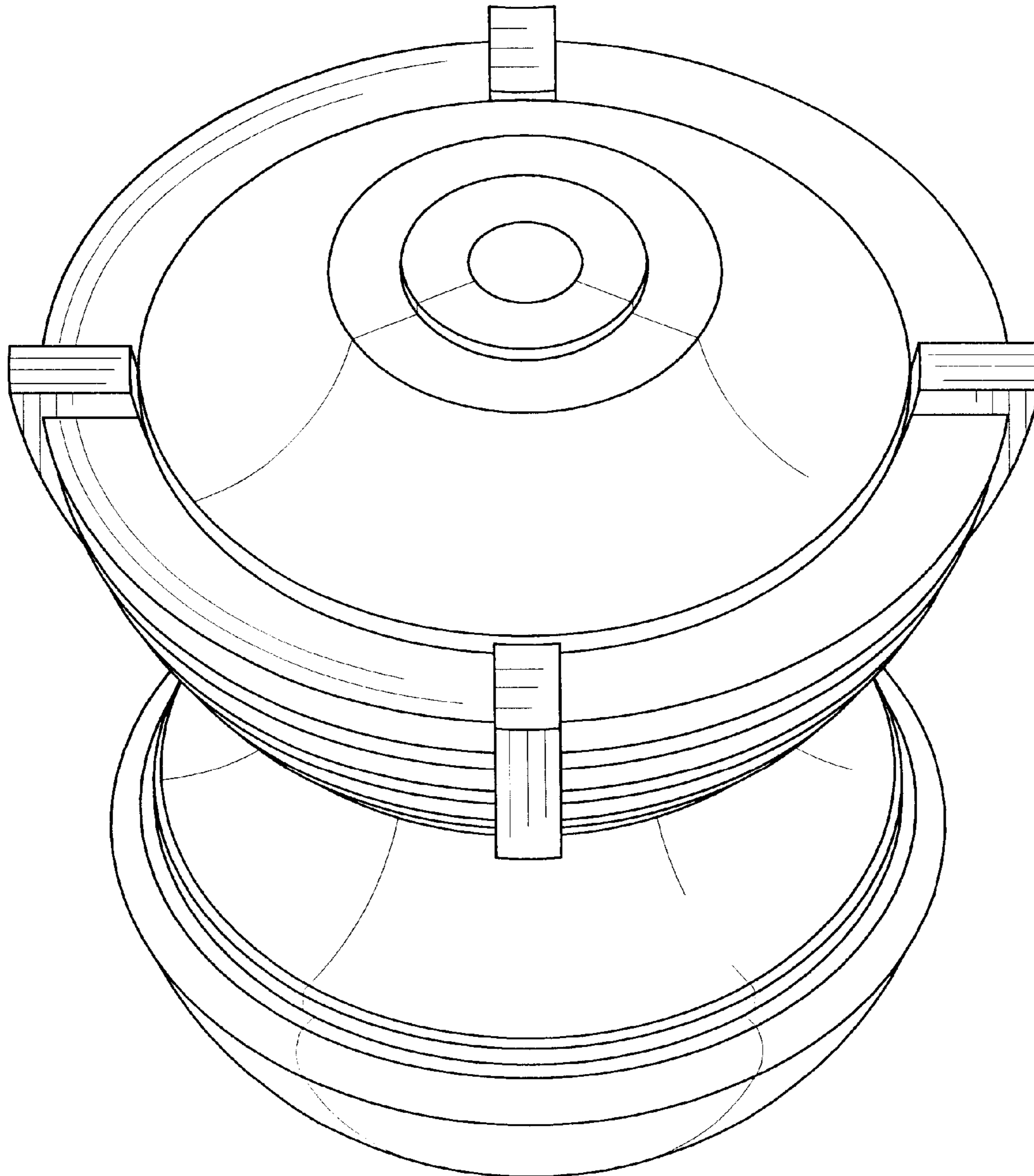


FIG. 5