



US00D516703S

(12) **United States Design Patent**
Gajewski

(10) **Patent No.:** **US D516,703 S**
(45) **Date of Patent:** **** Mar. 7, 2006**

(54) **CEILING FAN**

(75) Inventor: **Mark Gajewski**, Avila Beach, CA (US)

(73) Assignee: **Minka Lighting, Inc.**, Corona, CA (US)

(**) Term: **14 Years**

(21) Appl. No.: **29/213,338**

(22) Filed: **Sep. 16, 2004**

(51) **LOC (8) Cl.** **23-04**

(52) **U.S. Cl.** **D23/411**

(58) **Field of Classification Search** D23/377,
D23/379, 385, 411, 413; D26/50, 51, 81-86,
D26/88, 72; 362/96; 392/364; 416/5, 170 R
See application file for complete search history.

(56) **References Cited**

U.S. PATENT DOCUMENTS

403,061 A	*	5/1889	Jaspers-Fayer et al.	430/406
D360,939 S	*	8/1995	Wang	D23/377
D484,969 S	*	1/2004	Tai	D23/413
D505,198 S	*	5/2005	Liu	D23/413

OTHER PUBLICATIONS

Home Lighting Accessories; Dallas Summer Market; Jun. 2004; pp. 102-103.
Home Lighting Accessories; Dallas Summer Market; Jun. 2004; p. 38-39.

* cited by examiner

Primary Examiner—Lisa Lichtenstein

(74) *Attorney, Agent, or Firm*—Baker & McKenzie LLP

(57) **CLAIM**

The ornamental design for the ceiling fan, as shown and described.

DESCRIPTION

FIG. 1 is a perspective view from below of a ceiling fan in accordance with my design;

FIG. 2 is an enlarged perspective view from below of the ceiling fan in accordance with my design;

FIG. 3 is a bottom plan view of the ceiling fan in accordance with my design;

FIG. 4 is a top plan view of the ceiling fan in accordance with my design;

FIG. 5 is a front elevation view of the ceiling fan in accordance with my design; and,

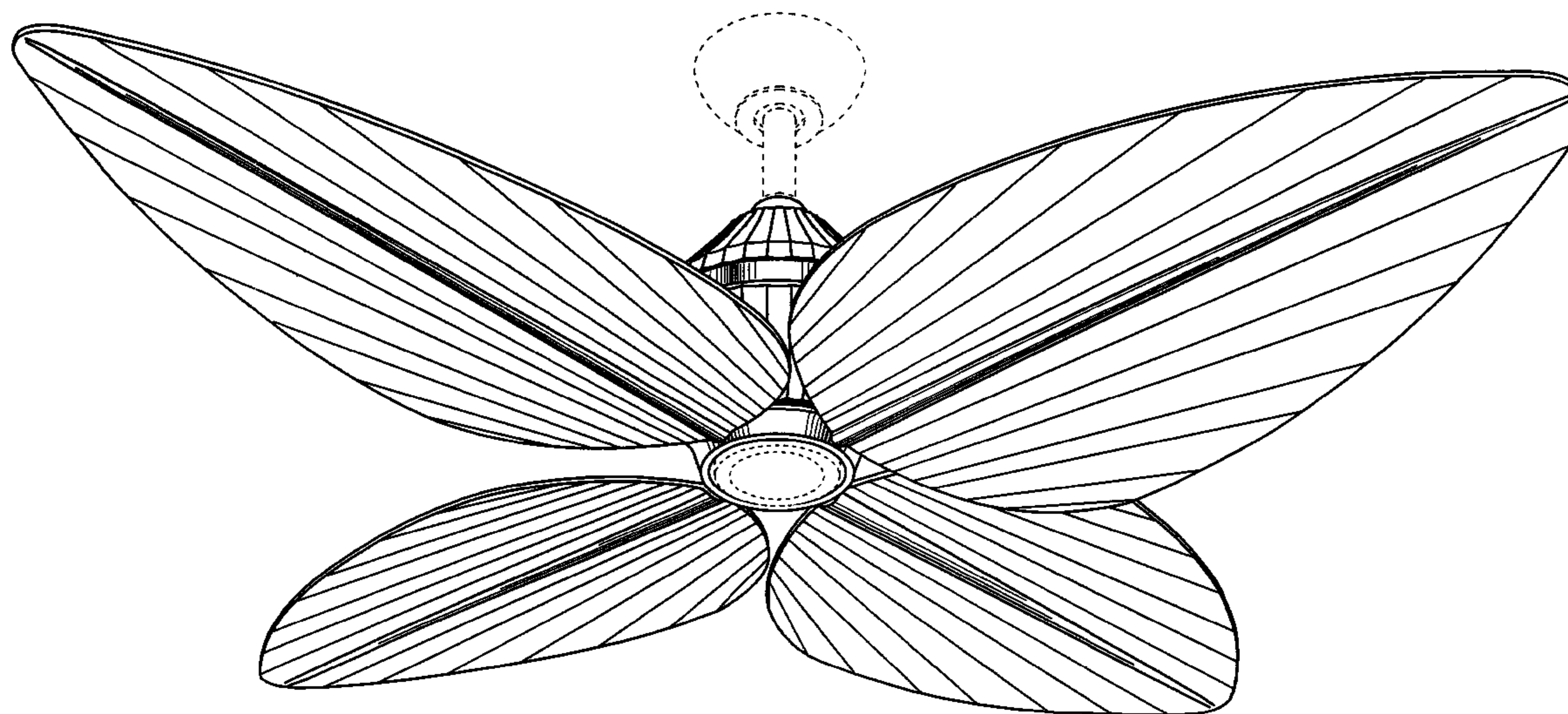
FIG. 6 is a side elevation view of the ceiling fan in accordance with my design.

FIGS. 5 and 6 and the rear view and opposite side view are identical except for the positioning of the fan blades.

The broken lines showing environmental structure are for illustrative purposes and form no part of the claimed design.

In FIG. 2, the fan blades are shown broken away to indicate indeterminate length.

1 Claim, 6 Drawing Sheets



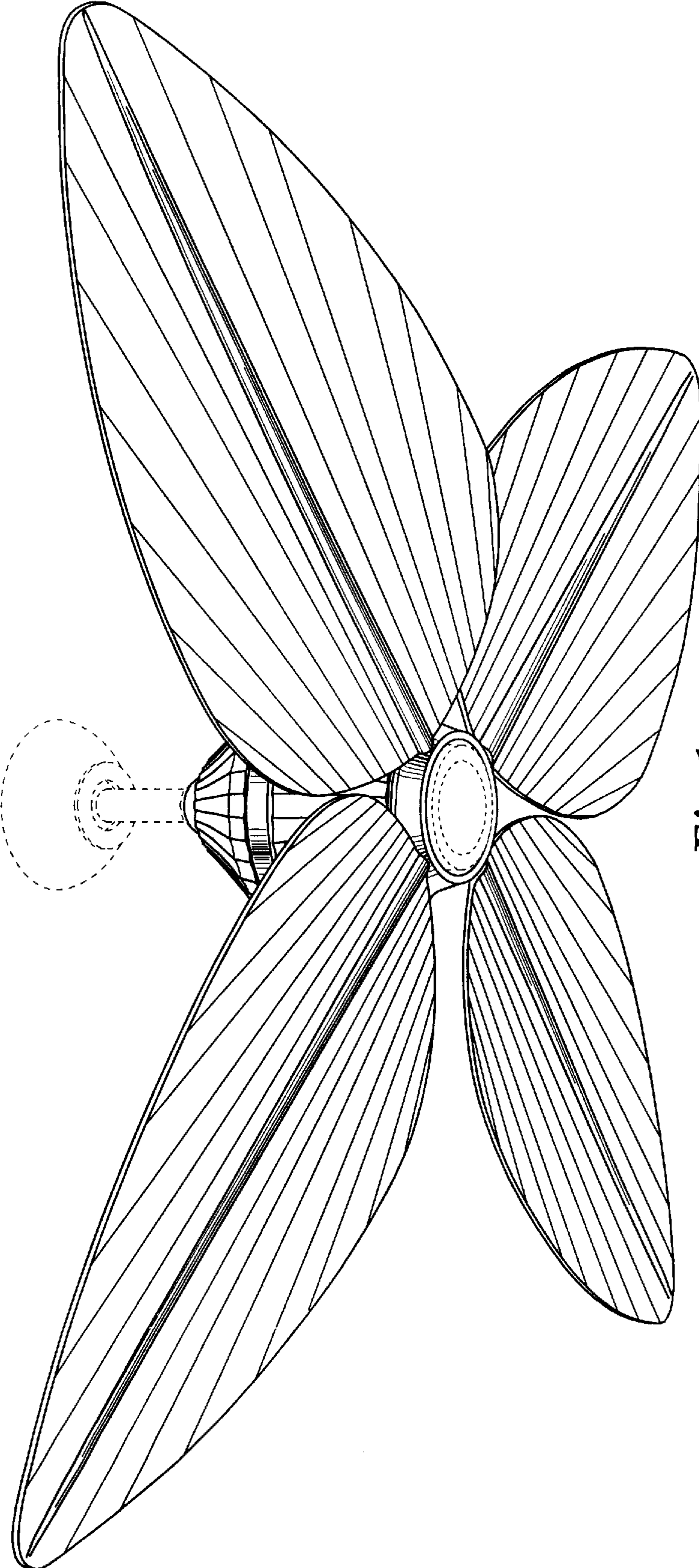


Fig. 1

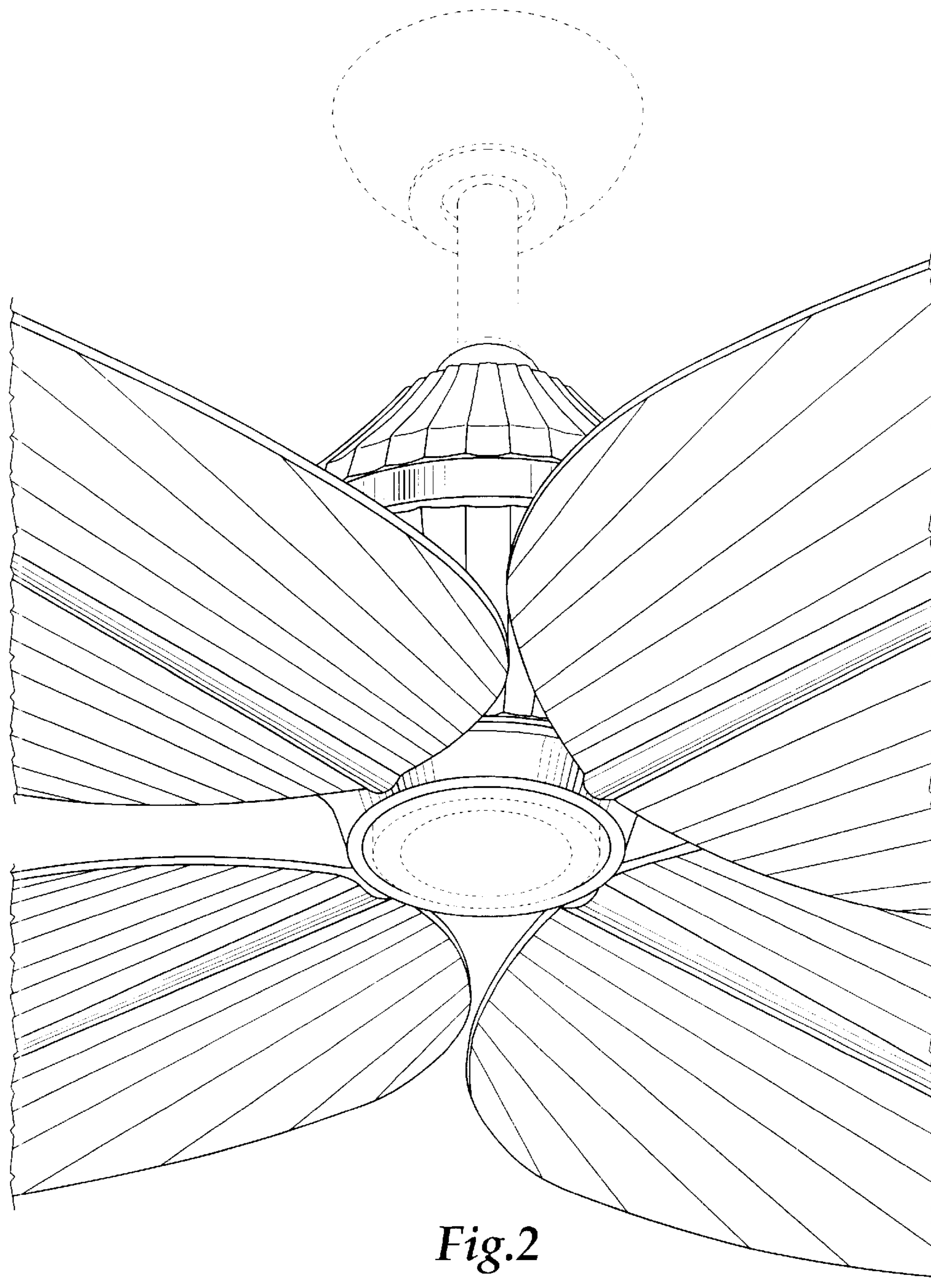


Fig.2

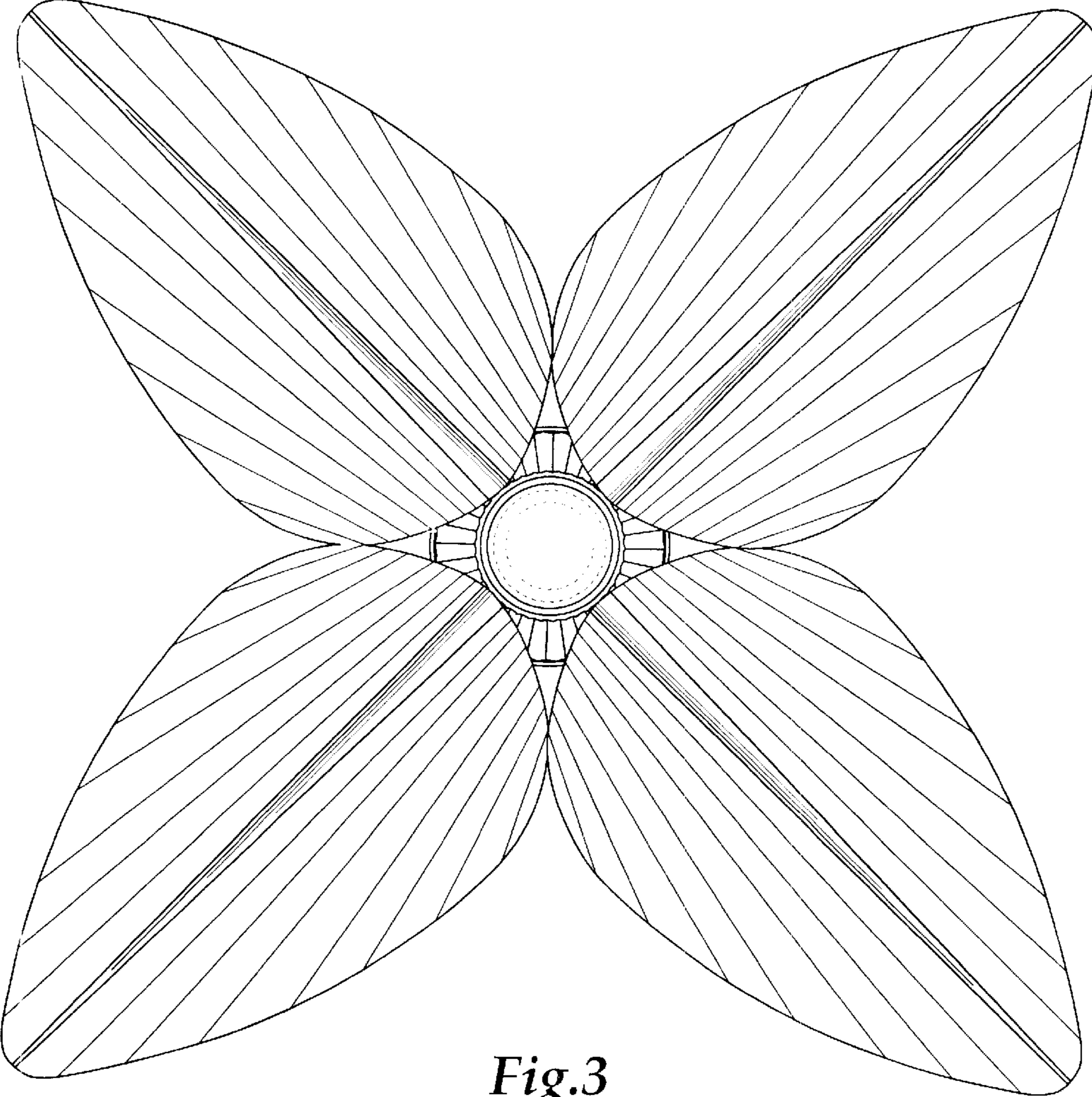


Fig.3

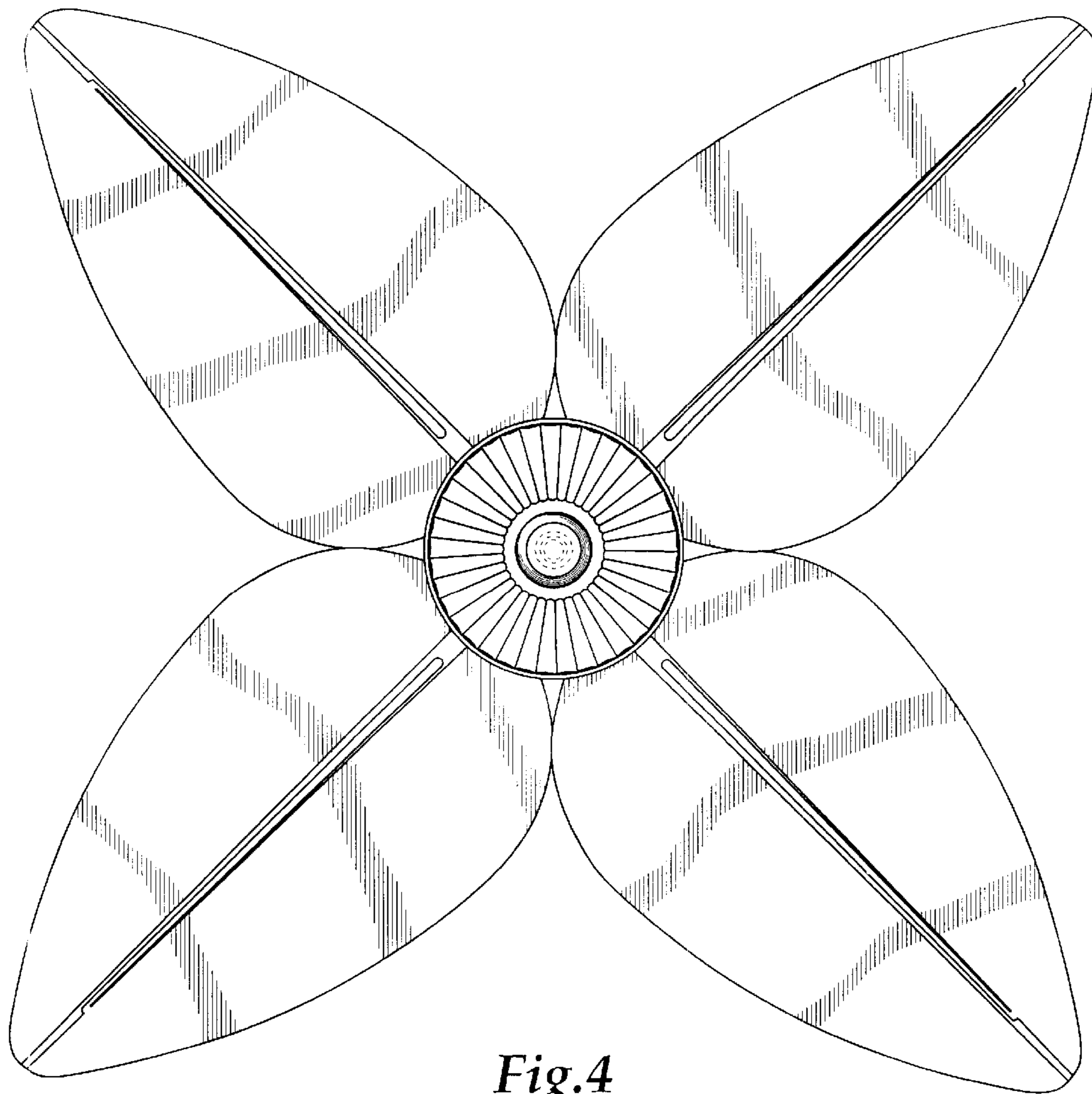


Fig.4

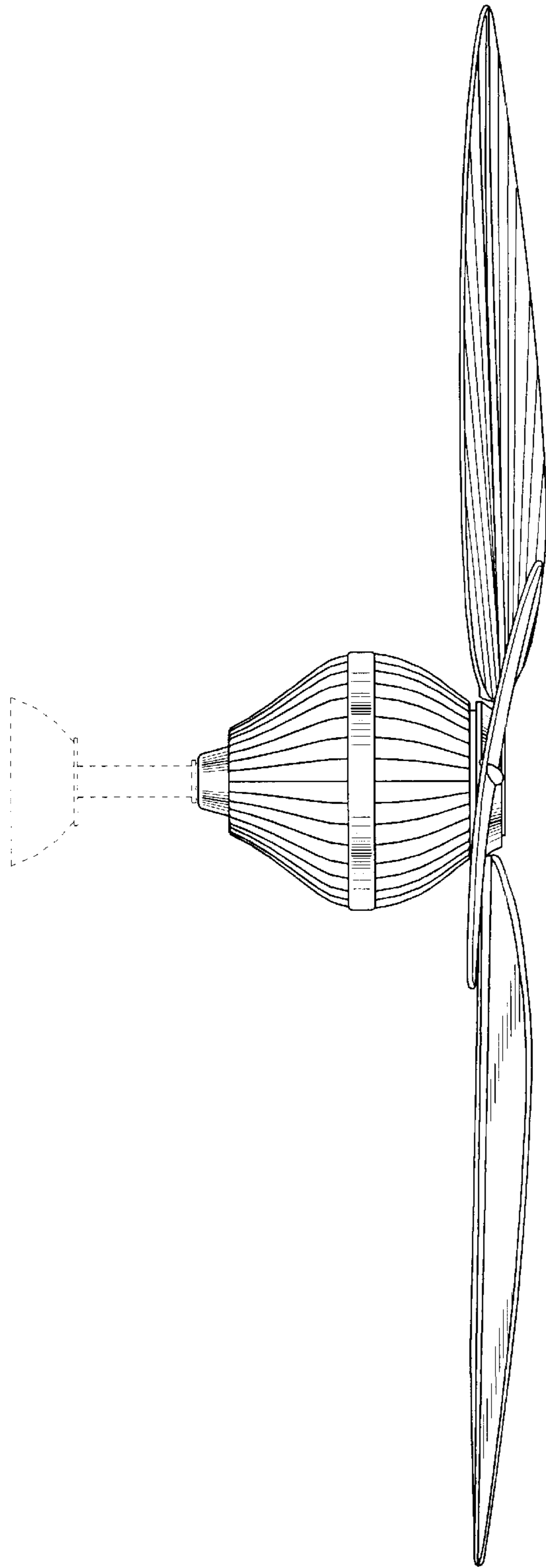


Fig.5

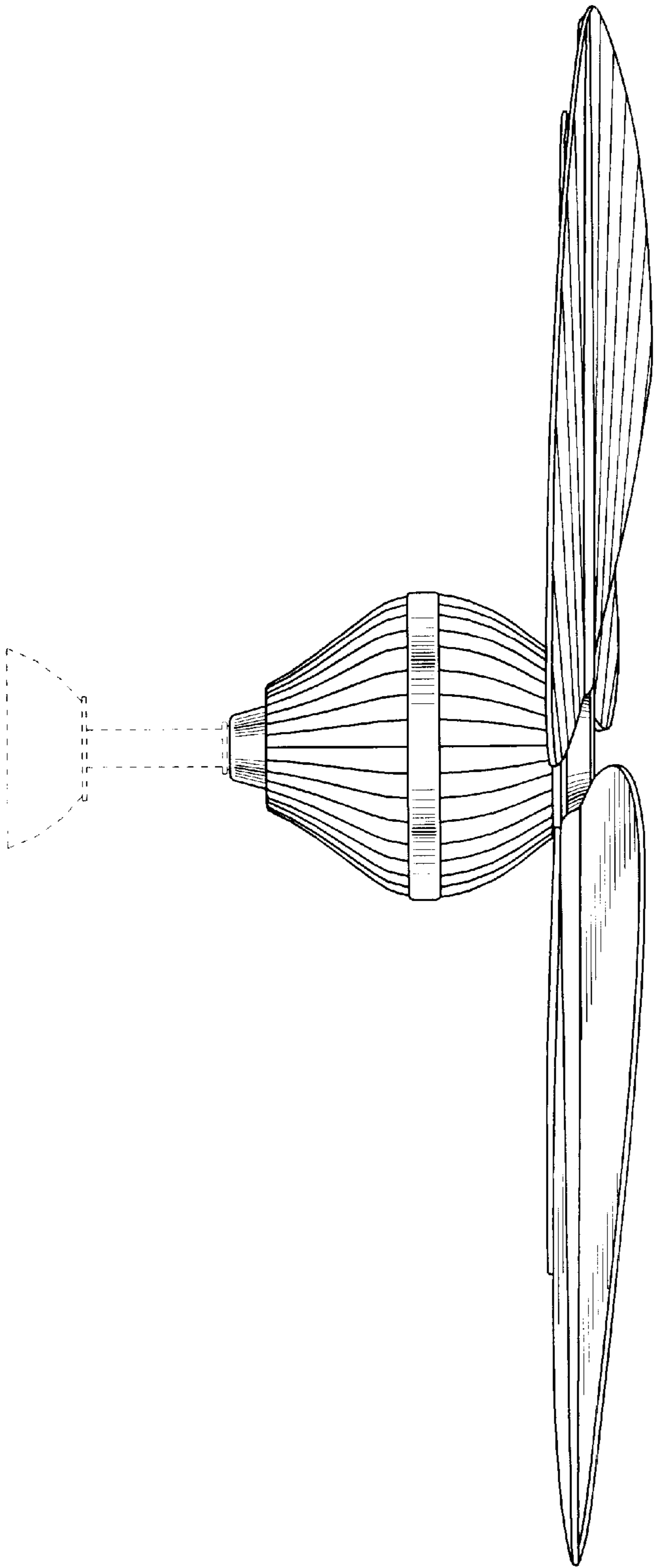


Fig.6